

ORDNANCE SUPPLY CATALOG

GROUP G

Technical Reference TM 9-803

(Standard Nomenclature List No. G-503)

List of All Parts

For

TRUCK, 1/4-TON, 4 x 4, COMMAND RECONNAISSANCE

**(WILLYS-OVERLAND MOTORS, INC. MODEL MB
AND FORD MOTOR CO. MODEL GPW)**

Supersedes ORD 9 portion of SNL G-503 Standard Nomenclature List, dated 15 January 1944. ORD 7 portion was superseded by ORD 7 SNL G-503 Organizational Spare Parts and Equipment, dated 11 October 1944, ORD 8 portion was superseded by ORD 8 SNL G-503 Higher Echelon Spare Parts and Equipment (Addendum), dated 5 August 1944.

Distribution: See Inside Front Cover

HEADQUARTERS, ARMY SERVICE FORCES, 15 FEBRUARY 1945

Headquarters, Army Service Forces

Washington 25, D. C., 15 February 1945

Army Service Forces Ordnance Supply Catalog, ORD 9 SNL G-503 List of All Parts, for Truck, ¼-Ton, 4 x 4, Command Reconnaissance (Willys-Overland Motors, Inc. Model MB and Ford Motor Co. Model GPW), has been prepared under the supervision of the Chief of Ordnance and is published for the information and guidance of all concerned.

SPX 461 (1 February 1945)

By command of Lieutenant General SOMERVELL:

W. D. STYER,
Major General, General Staff Corps,
Chief of Staff.

OFFICIAL:

J. A. ULIO,
Major General,
The Adjutant General.

Distribution: AAF (10); AGF (10); ASF (2); AAF Comds (2); Arm & Sv Bd (2); S Div ASF (1); T of Opns (10); Tech Sv (2); Sv C (10); PC&S (1) except Air Bases (3); PE, 9 (5); Dist O, 9 (5); Dist Br O, 9 (3); Reg O, 9 (3); Establishments, 9 (5); Decentralized Sub-O, 9 (3); Tk Dep, 9 (5); Gen & Sp Sv Schs (10); USMA (2); A (10); CHQ (10); D (2); AF (5); R 9 (2); Bn 9 (2); C 9 (3).

(For explanation of symbols see FM 21-6.)

ORDNANCE SUPPLY CATALOG

GROUP G

Technical Reference TM 9-803

(Standard Nomenclature List No. G-503)

CHUCK LEWIS MOTORS
DOUGLAS WYOMING

List of All Parts

For

**TRUCK, 1/4-TON, 4 x 4,
COMMAND RECONNAISSANCE**

(WILLYS-OVERLAND MOTORS, INC. MODEL MB
AND FORD MOTOR CO. MODEL GPW)

GENERAL INFORMATION

For full information relative to Standard Nomenclature Lists, the procedure followed and principles employed in the compilation, together with the purposes and uses thereof, see the Introduction to the Ordnance Catalog (ORD 1 IOC), the Ordnance Provision System Regulations (OPSR) and the Ordnance Publications for Supply Index (ORD 2 OPSI).

The Standard Nomenclature List for a major item consists of three main parts: The Organizational Spare Parts and Equipment (ORD 7), the Higher Echelon Spare Parts and Equipment (Addendum) (ORD 8), and the List of All Parts (ORD 9). These

Quick
Reference
Index

GENERAL INFORMATION

01 ENGINE

02 CLUTCH

03 FUEL

04 EXHAUST

05 COOLING SYSTEM

06 ELECTRICAL

07 TRANSMISSION

08 TRANSFER CASE

09 PROPELLER SHAFT AND
UNIVERSAL JOINT

10 FRONT AXLE

11 REAR AXLE

12 BRAKE

13 WHEELS, HUBS AND
DRUMS

14 STEERING

15 FRAME AND BRACKETS

16 SPRING AND SHOCK
ABSORBER

17 HOODS, FENDERS AND
APRONS

18 BODY

20 WINCH

21 BUMPERS AND GUARD

22 MISCELLANEOUS BODY
AND CHASSIS
ACCESSORIES

23 GENERAL USE
STANDARDIZED PARTS

26 RADIO

INDEXES

three subdivisions may be published separately or may be combined. In this publication the ORD 9 is printed separately.

SCOPE

This List of All Parts contains information for the identification of all parts which are considered items of service for the vehicles and/or models listed below:

TRUCK, ¼-TON, 4 x 4, COMMAND RECONNAISSANCE

(WILLYS-OVERLAND MOTORS, INC. MODEL MB AND FORD MOTOR CO. MODEL GPW)

THIS PUBLICATION IS NOT TO BE USED FOR THE REQUISITIONING OF PARTS. IT IS TO BE USED ONLY FOR INFORMATION AND IDENTIFICATION.

FEATURES OF THIS PUBLICATION

The following paragraphs explain important features of this catalog.

STANDARDIZED GOVERNMENT GROUPING—The parts listed in this catalog are divided into groups and subgroups in accordance with the Standardized Government Grouping. This division into groups facilitates the location and identification of each part. The Standardized Government Grouping as adapted to this catalog is outlined on pages 4 and 5.

ILLUSTRATIONS—Each illustration is identified by a figure number and title, and an index of all figures and the pages on which they appear will be found in the back of the book. Items appearing on the illustrations are identified in the accompanying legend by noun, number and group.

COMPONENTS OF KITS, SETS AND ASSEMBLIES—Whenever any doubt might exist as to what items are included as components of kits, sets or assemblies, an explanatory note or complete listing of such components is shown.

ATTACHING PARTS—Attaching parts, such as bolts, nuts, rivets, screws, washers, etc., are indented immediately under the item which they attach. Whenever two similar items, having the same attaching parts, such as right and left fenders, are listed, they are placed one immediately following the other and the attaching parts for both are covered by a single listing under the second part. The quantities shown for the attaching parts are those necessary to attach both items.

INDEXES—Indexes are listed in the back of the book in the following sequence. Illustrations, Alphabetical, and Numerical (Official Stock Numbers, Manufacturers' Part Numbers, Ordnance Part Numbers).

OFFICIAL STOCK NUMBER—The prefix letter and number of the official stock number (i.e., G104-XX-XXXXX, G103-XX-XXXXX or G167-XX-XXXXX) signifies that the particular part or component was originally coded under the major item designation for that SNL, and does NOT mean that the part is used ONLY in that major item. All subsequent lists for different vehicles will include the same official stock number for this same part.

MANUFACTURERS' IDENTIFICATION SYMBOL—Identification symbols have been assigned to manufacturers' part numbers. These symbols are prefixed to the part numbers in this book and a list of manufacturers is shown on page 7.

LIST OF ABBREVIATIONS—A list of abbreviations appearing in this book is shown on page 6.

PUBLICATIONS PERTAINING TO THIS VEHICLE

Technical Manual 1st and 2nd Echelon	TM 9-803
Technical Manual 3rd and 4th Echelon	
Ordnance Maintenance: Engine and Engine Accessories	TM 9-1803A
Ordnance Maintenance: Power train, body, and frame	TM 9-1803B
Ordnance Maintenance: Electrical Equipment (Delco-Remy)	TM 9-1825A
Ordnance Maintenance: Carburetor (Carter)	TM 9-1826A
Ordnance Maintenance: Hydraulic brakes (Wagner-Lockheed)	TM 9-1827C
Ordnance Maintenance: Pumps, fuel	TM 9-1828A

INTERCHANGEABILITY OF COMPONENTS—The engine, transmission, clutch and differential of the rear axle are the same as or similar to the corresponding units installed in Tractor, snow, M7 (SNL G-194).

The engine has many components that are the same as those of Power Unit (Willys Engine Model 441) Signal Corps Models PE95F, 95G, 95H, 182A and 183A Signal Corps Models PU58 and 26 (SNL G-716).

HOW TO FIND PARTS

This catalog is arranged and cross-indexed so that parts can be found easily even though only one of the several identifying factors is known. The various ways in which parts can be located are as follows:

If the nomenclature (basic name) only is known, and the subgroup is not, refer to the alphabetical index in the back of the book. This index will give the subgroup in which the part is listed. As the part names are arranged in alphabetical order within this subgroup, the complete listing of the part can readily be found.

If any one of the Part Numbers—Ordnance Number, Official Stock Number, or Manufacturer's Number—is known, refer to the appropriate numerical index in the back of the book. This index will give the subgroup number from which the part can be found by following the procedure given in the previous paragraph.

If the use, or function, or location of the part is known, refer to the illustration index to determine in which figure or figures the part is likely to appear; then turn to this figure until a picture of the part is found. The arrow pointing to the part will lead out to a listing of the name, part number and subgroup number, which will permit locating the complete listing of the part.

THE MAJOR ITEM COVERED BY THIS CATALOG IS DESIGNATED AS A GENERAL PURPOSE VEHICLE, AS DEFINED IN PARAGRAPH 3, AR 850-15, DATED 28 AUGUST 1943.

MODIFICATION WORK ORDERS

The following Modification Work Orders have been incorporated in this publication:

FSMWO G503-W1 modifying Radiator and Cooling System to improve cooling system for desert service by installing surge tank to conserve coolant.

MWO ORD G503-W2 modifying Electrical System to provide lighting current for trailers.

MWO ORD G503-W7 modifying Electrical System to convert the entire electrical system from 6 volts to 12 volts to provide current for radio equipment.

MWO ORD G503-W8 modifying Chassis to provide power winch.

MWO ORD G503-W9 modifying Engine, Tires and Spare Tire Carrier to install compressor and large tires to permit greater mobility through increased flotation.

STANDARDIZED GOVERNMENT GROUPING

01—ENGINE GROUP

0100 Engine Assembly
 0101 Crankcase and Cylinder Block
 0101A Cylinder Head
 0102 Crankshaft
 0102A Crankshaft Bearings
 0103 Pistons
 0103A Piston Rings
 0103B Piston Pins
 0104 Connecting Rods
 0104A Connecting Rod Bearings
 0105 Valves, Seats, Guides and Springs
 0105A Tappets
 0105C Valve Covers and Gaskets
 0106 Camshaft
 0106A Camshaft Bushings (bearings)
 0106C Chains and Sprockets
 0106D Timing Chain Cover
 0107 Oil Pump
 0107A Oil Pan
 0107A-1 Oil Float
 0107E Oil Filter
 0107G Oil Filler
 0107H Level Indicator (gage)
 0107J Oil Distribution System
 0107N Crankcase Ventilator
 0108 Intake and Exhaust Manifolds
 0108C Heat Control
 0109 Flywheel
 0109B Ring Gear
 0109C Flywheel Housing
 0110 Mountings

02—CLUTCH GROUP

0201 Clutch Disk
 0201A Facings and Rivets
 0202 Cover and Pressure Plate
 0203 Release Parts
 0204 Pedal
 0204A Pedal Linkage
 0205 Pilot Bearing

03—FUEL GROUP

0300 Fuel Tanks
 0300A Tank Gage Unit
 0301 Carburetor
 0301A Carburetor Attaching Parts
 0301B Choke (see Group 0303A)
 0301C Air Cleaner
 0302 Fuel Pump
 0302A Fuel Pump Attaching Parts
 0303 Accelerator and Linkage
 0303A Hand Throttle and Choke Control
 0304 Fuel Lines
 0306B Fuel Strainer

04—EXHAUST GROUP

0401 Muffler and Exhaust Pipe (round type and oval type)
 0401-1 Muffler and Exhaust Pipe (deep mud type)

05—COOLING GROUP

0501 Radiator
 0501C Surge Tank
 0502 Thermostat
 0503 Water Pump
 0503A Fan and Pulleys
 0503B Fan Belt
 0505 Engine Water Fittings and Hose

06—ELECTRICAL GROUP

0601 Generator (ball type bearing)
 0601-1 Generator (bushing type bearing)
 0601-2 Generator (12 volt)
 0601A Generator Attaching Parts
 0601A-1 Generator (12 volt) Attaching Parts
 0601B Generator Regulator
 0601B-1 Generator Regulator (12 volt)
 0602 Cranking Motor
 0602-1 Cranking Motor (12 volt)
 0603 Distributor (regular type)
 0603-1 Distributor (dustproof type)
 0604 Ignition Coil
 0604A Ignition Wiring
 0604B Spark plugs
 0604C Ignition Lock
 0605 Instruments
 0605C Panel Light
 0606 Switches
 0606B Chassis Wiring
 0606D Circuit Breakers
 0606E Junction Blocks
 0606F Trailer Electric Coupling
 0607 Headlight
 0607A Sealed Beam
 0607B Lamps
 0607D Blackout Lights
 0608 Taillight
 0609 Horns
 0609B Horn Button and Wiring
 0610 Battery
 0610A Battery Hangers
 0610B Battery Cables and Connections
 0610B-1 Battery Cables and Connections (12 volt)

07—TRANSMISSION GROUP

0700 Transmission Assembly
 0701 Case
 0703 Main Drive Gear and Bearings
 0704 Main Shaft, Gears and Bearings
 0704C Countershaft and Reverse Idler Shaft, Gears and Bearings
 0706A Gearshift Lever and Parts
 0706B Gearshift Rails and Parts
 0706C Gearshift Forks

08—TRANSFER CASE GROUP

0800 Transfer Case Assembly
 0801 Case and Covers
 0802 Drive Gear
 0803 Output Shaft, Gears and Bearings
 0804 Intermediate Shaft, Gear and Bearings
 0805 Shifter Rods and Parts
 0805A Forks
 0805B Shift Lever and Parts
 0809 Mountings
 0810 Speedometer Drive Gears

09—PROPELLER SHAFT AND UNIVERSAL JOINT GROUP

0901 Propeller Shaft Assemblies
 0902 Universal Joints

10—FRONT AXLE GROUP

1000 Front Axle Assembly
 1001 Housing
 1003 Differential Case, Gears, Pinion and Bearings
 1006 Steering Knuckle, Flange and Arm
 1007 Axle Shafts and Universal Joints

11—REAR AXLE GROUP

1100 Rear Axle Assembly
 1101 Housing Assembly
 1102 Axle Drive Shafts
 1104 Differential Case, Gears, Pinion and Bearings

12—BRAKE GROUP

1200 Brake Assembly
 1201 Hand Brake Parts (external contracting type)
 1201-1 Hand Brake Parts (internal expanding type)
 1202 Shoes and Facings
 1203 Brake Shoe Support
 1204 Pedal and Spring
 1205 Master Cylinder
 1207 Wheel Cylinders
 1209B Hoses
 1209C Tubes and Clips
 1209D Brackets and Springs

13—WHEELS, HUBS AND DRUMS GROUP

1301 Wheel Assembly
 1301A Bearings
 1301B Seals
 1302 Hubs and Drums
 1302A Studs and Bolts

14—STEERING GROUP

1401 Steering Connecting Rod (drag link) and Bell Crank
 1402 Tie Rod
 1403A Gear Assembly
 1404 Wheel Assembly
 1405 Brackets

15—FRAME AND BRACKETS GROUP

1500 Frame and Brackets
 1502 Pintle Hook
 1505 Spare Wheel Carrier

16—SPRING AND SHOCK ABSORBER GROUP

1601 Front Springs
 1601A Rear Springs
 1601B Spring Bumpers
 1601C Torque Reaction Spring
 1602 Shackles and Spring Attaching Parts
 1603 Shock Absorbers and Mountings

17—HOODS, FENDERS, APRON GROUP

1701 Fenders
 1702 Splash Apron
 1704 Hood

18—BODY GROUP

1800 Body
 1800A Body Handles
 1800B Top
 1801 Body Mounting Parts
 1802 Body Pillars
 1802A Body Panels
 1803 Floor Mats and Seals
 1804 Seats
 1804A Cushions
 1809 Instrument Panel and Mounting Parts
 1809A Compartment and Parts
 1811 Windshield Assembly
 1811B Windshield Frame Molding and Seals
 1811D Windshield Wiper Arms and Blades
 1817 Tool Box
 1817A Spare Gasoline Carrier
 1820 Gun Holders

20—WINCH GROUP

2000 Winch Assembly
 2001 Winch Parts and Winch Drive Shafts
 2002 Cables and Ropes
 2003 Winch Control Parts

21—BUMPERS AND GUARD GROUP

2101 Bumpers
 2103 Radiator Guards
 2103A Lamp Guards

22—MISCELLANEOUS BODY, CHASSIS AND ACCESSORY GROUP

2201 Tarpaulins
 2201A Bows
 2201F Side Curtains
 2202 Rear View Mirrors
 2203 Identification and Caution Plates
 2203A Reflectors
 2204 Speedometer and Parts
 2208 Air Compressor (tire pump)

23—GENERAL USE STANDARDIZED PARTS

2306 Tires and Tubes

26—RADIO GROUP

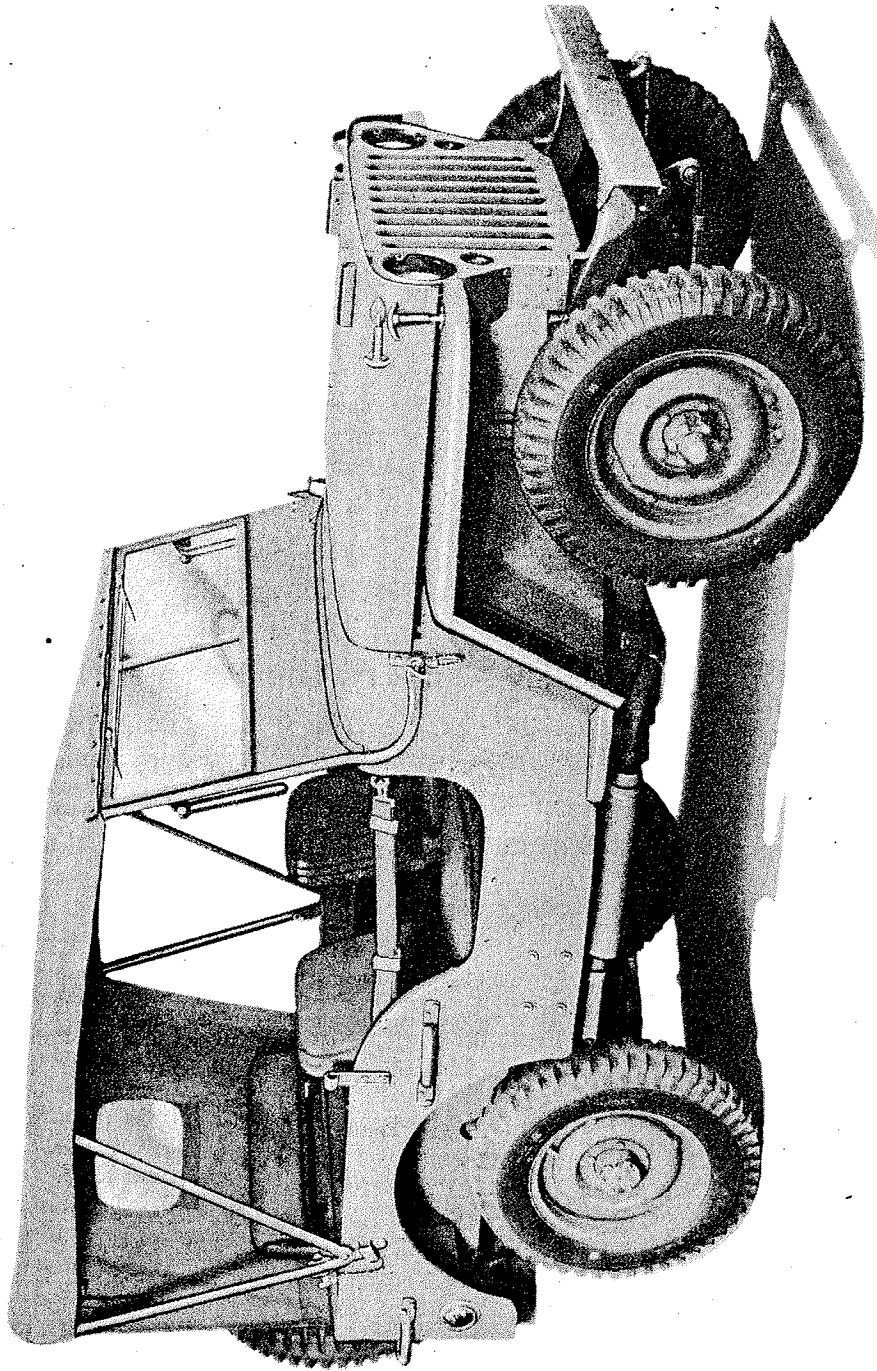
2603 Radio Suppression System Parts

LIST OF ABBREVIATIONS

alloy-S.	alloy steel	mach.	machine
amp.	ampere	mall-I	malleable iron
as req.	as required	mfd.	microfarad
binding-hd.	binding head	NC	National coarse
br.	brass	NF	National fine
bz.	bronze	No.	number
c-pin	cotter pin	NS	National form special
cd-pltd.	cadmium plated	O.D.	outer diameter
ck-hd.	countersunk head	Ord.	ordnance
contd.	continued	oval-hd.	oval head
cp.	candlepower	pltd.	plated
deg.	degree	rd-hd.	round head
diam.	diameter	reg.	regular
dld. f/c-pin	drilled for cotter pin	R.H.	right hand
dld. f/lkg-wire	drilled for locking wire	S.	steel
elec.	electric	SAE	Society of Automotive Engineers
fil.	filament	s-fin.	semi-finished
fil-hd.	fillister head	sp. gr.	specific gravity
fl.	flat	sq.	square
fl-hd.	flat head	sq-hd.	square head
gr.	gravity	sq-nk.	square neck
hd.	head	sq-shank	square shank
hex.	hexagonal	std.	standard
hex-hd.	hexagonal-head	stght.	straight
hr.	hour	thd.	thread
hv.	heavy	thk.	thick
I.	iron	tung.	tungsten
I.D.	inner diameter	USS	United States Standard
in.	inch	V.	volt
incand.	incandescent	w/	with
lgh.	length	w/o	without
L.H.	left hand	zn-pltd.	zinc plated

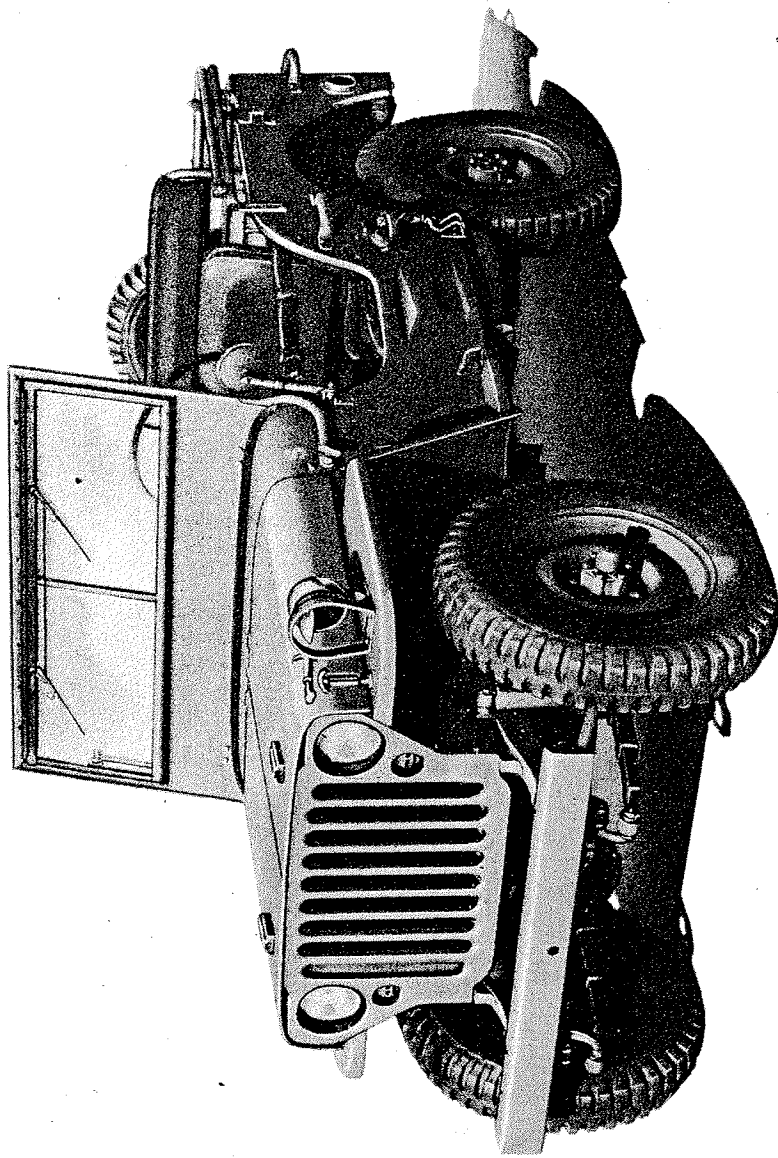
MANUFACTURERS' IDENTIFICATION SYMBOLS

AB	Aetna Ball Bearing Mfg. Co.	4600 Schubert Ave., Chicago 39, Illinois
AC	A. C. Spark Plug Division (General Motors Corp.)	1300 N. Dort Hwy., Flint 2, Michigan
AD	Alemite Division (Stewart-Warner Corp.)	1826 Diversey Pkwy., Chicago 14, Illinois
AL	Electric Auto-Lite Co.	Main Post Office Box 931, Toledo 1, Ohio
AN	Ainsworth Mfg. Corp.	2200 Franklin St., Detroit 7, Michigan
AVM	Atwood Vacuum Machine Co.	2500 N. Main St., Rockford, Illinois
BA	Bassick Co. (The)	38 Austin St., Bridgeport 2, Conn.
B & B	Borg and Beck Div. (Borg-Warner Corp.)	6558 S. Menard Ave., Chicago 38, Illinois
BN	Bantam Bearing Corp. (The)	South Bend 21, Indiana
BOW	Bower Roller Bearing Co.	3040 Hart Ave., Detroit 14, Michigan
BUE	Budd Mfg. Co., Edw. G.	2450 Hunting Parke Ave., Philadelphia 32, Pennsylvania
BX	Bendix Products Div.	401 Bendix Drive, South Bend 20, Indiana
CA	Columbus Auto Parts Co.	Hudson St. and Penn. R.R., Columbus 16, Ohio
CAR	Carter Carburetor Corp.	2820-56 N. Spring Ave., P.O. Box 2425, St. Louis 7, Missouri
CB	Corcoran-Brown Lamp Co.	4900 Spring Gr. Ave., Cincinnati 32, Ohio
CL	Clum Mfg. Co.	601 W. National Ave., Milwaukee 4, Wisconsin
CNC	Cinch Mfg. Corp.	2335 W. Van Buren St., Chicago 12, Illinois
DM	Douglas Mfg. Co., H. A.	Bronson, Michigan
DTC	Deutschmann, Tobe, Corp.	Washington Ave., Canton, Massachusetts
EAT	Eaton Mfg. Co. (The)	739 E. 140th St., Cleveland 10, Ohio
FB	Federal Bearings Co., Inc.	Poughkeepsie, New York
FM	Ford Motor Co.	3000 Schaefer Rd., Dearborn, Michigan
GM	General Motors Corp.	3044 W. Grand Blvd., Detroit 2, Michigan
HI	Hayes Industries, Inc.	437 Fern Ave., Jackson, Michigan
HO	Hoover Ball and Bearing Co.	Ann Arbor, Michigan
HP	Harris Products Co.	5105 Cowan Ave., Cleveland 4, Ohio
KHW	Kelsey, Hayes Wheel Co.	3600 Military Ave., Detroit 32, Michigan
KS	King-Seeley Corp.	316 S. 1st St., Ann Arbor, Michigan
LK	Link-Belt Co.	307 N. Michigan Ave., Chicago 1, Illinois
LO	Wagner Electric Corp.	6400 Plymouth Ave., St. Louis 14, Missouri
MAE	Monroe Auto Equipment	E. 1st St., Monroe, Michigan
MDR	McCord Radiator and Mfg. Co.	2587 E. Grand Blvd., Detroit 11, Michigan
MLL	Mallory and Co. Inc., P. R.	3029 E. Washington, Indianapolis 6, Indiana
MRC	Marlin-Rockwell Corp.	402 Chandler St., Jamestown 55, New York
MZ	"Mazda"-General Electric Co.	Schenectady 5, New York
ND	New Departure Div. (General Motors Corp.)	1940 Hughes St., Bristol, Connecticut
NP	New Process Gear, Inc.	500 Plum St., Syracuse 1, New York
OKS	Oakes Products Div. (Houdaille-Hershey Corp.)	2188 National Bank Bldg., Detroit 26, Mich.
PU	Purolator Products, Inc.	365 Frelinghuysen Ave., Newark 5, New Jersey
RG	Ross Gear and Tool Co.	8th and Heath Sts., Lafayette, Indiana
RMC	Rich Mfg. Corp.	Battle Creek 100, Michigan
SKF	SKF Industries, Inc.	Front St. and Erie Ave., Philadelphia 34, Pennsylvania
SOL	Solar Mfg. Co.	23rd St. and Avenue A, Bayonne 2, New Jersey
SP	Spicer Mfg. Corp.	4100 Bennett Rd., Toledo 1, Ohio
SPR	Sprague Specialties Co.	Beaver St., North Adams, Massachusetts
TIM	Timken Roller Bearing Co. (The)	1935 Kelley Ave., Canton, Ohio
TP	Thompson Products, Inc.	2196 Clarkwood Rd., Cleveland 3, Ohio
TR	Torrington Co. (The)	59 Field St., Torrington, Connecticut
TRI	Trico Products Co.	817 Washington St., Buffalo 3, New York
TRU	TRU-Stop (American Chain and Cable Co.)	Bridgeport 2, Connecticut
TSE	Taylor Sales Engineering Co.	117 W. Franklin St., Elkhart, Indiana
USL	Autolite Battery Corp. (formerly USL Battery Corp.)	Highland Ave., Niagara Falls, New York
VC	Van Cleef Brothers	7800 S. Woodlawn Ave., S., Chicago 19, Illinois
WB	Willard Storage Battery Co.	264 E. 131st St., Cleveland 1, Ohio
WBK	Westinghouse Air Brake Co. (Industrial Div.)	1943 Herman Ave., Welmerding, Pa.
WC	Weston Electrical Instrument Corp.	614 Frelinghuysen Ave., Newark 5, New Jersey
WEB	Warner Electric Brake Mfg. Co.	Beloit, Wisconsin
WH	Weatherhead Co. (The)	300 E. 131st St., Cleveland 8, Ohio
WO	Willys-Overland Motors, Inc.	Wolcott Blvd., Toledo 1, Ohio
WP	Worthington Pump & Machinery Corp.	Harrison, New Jersey



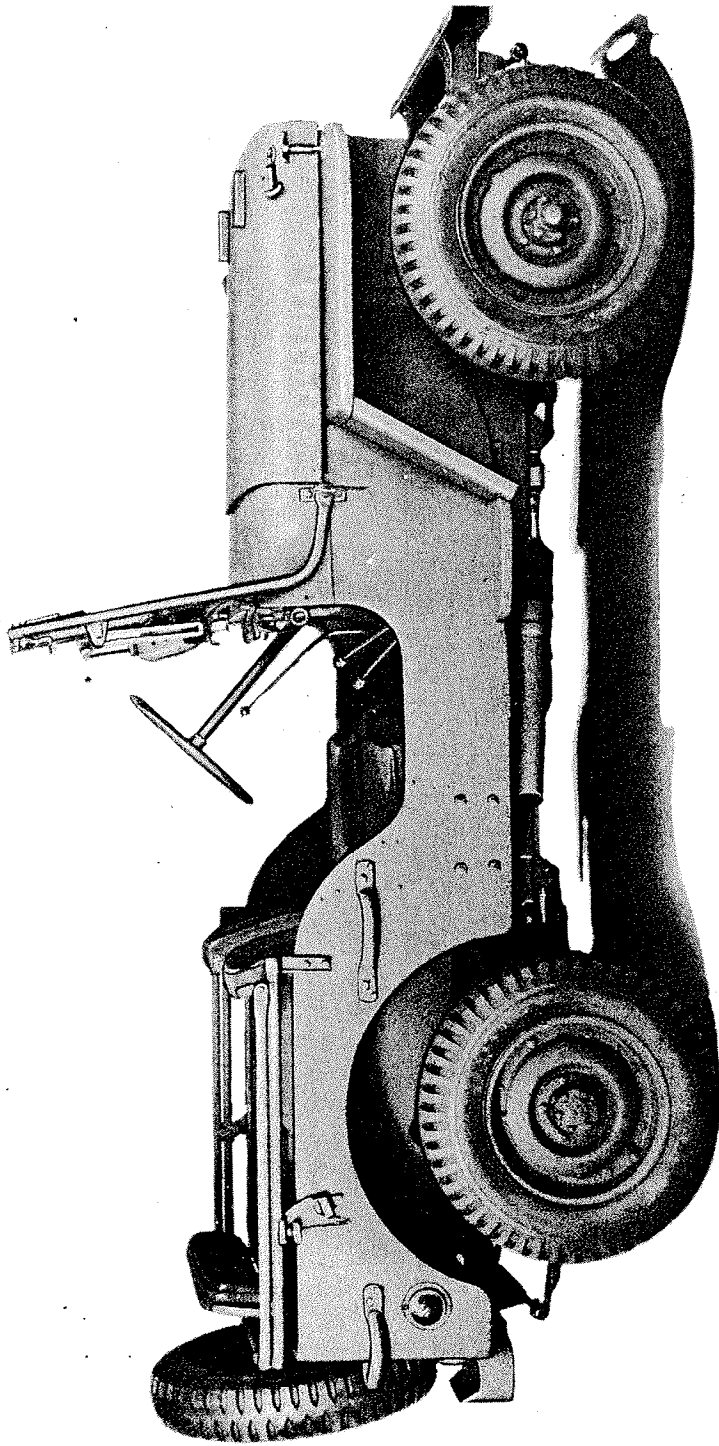
RA PD 342253

FIGURE A—TRUCK, 1/4-TON, 4 x 4 COMMAND RECONNAISSANCE—3/4 RIGHT FRONT VIEW



RA PD 342278

FIGURE B—TRUCK, 1/4-TON, 4 x 4 COMMAND RECONNAISSANCE—3/4 LEFT FRONT VIEW



RA PD 342279

FIGURE C—TRUCK, 1/4-TON, 4 x 4 COMMAND RECONNAISSANCE—RIGHT SIDE VIEW

CHUCK LEWIS MOTORS
DOUGLAS, WYOMING

RA PD 342272

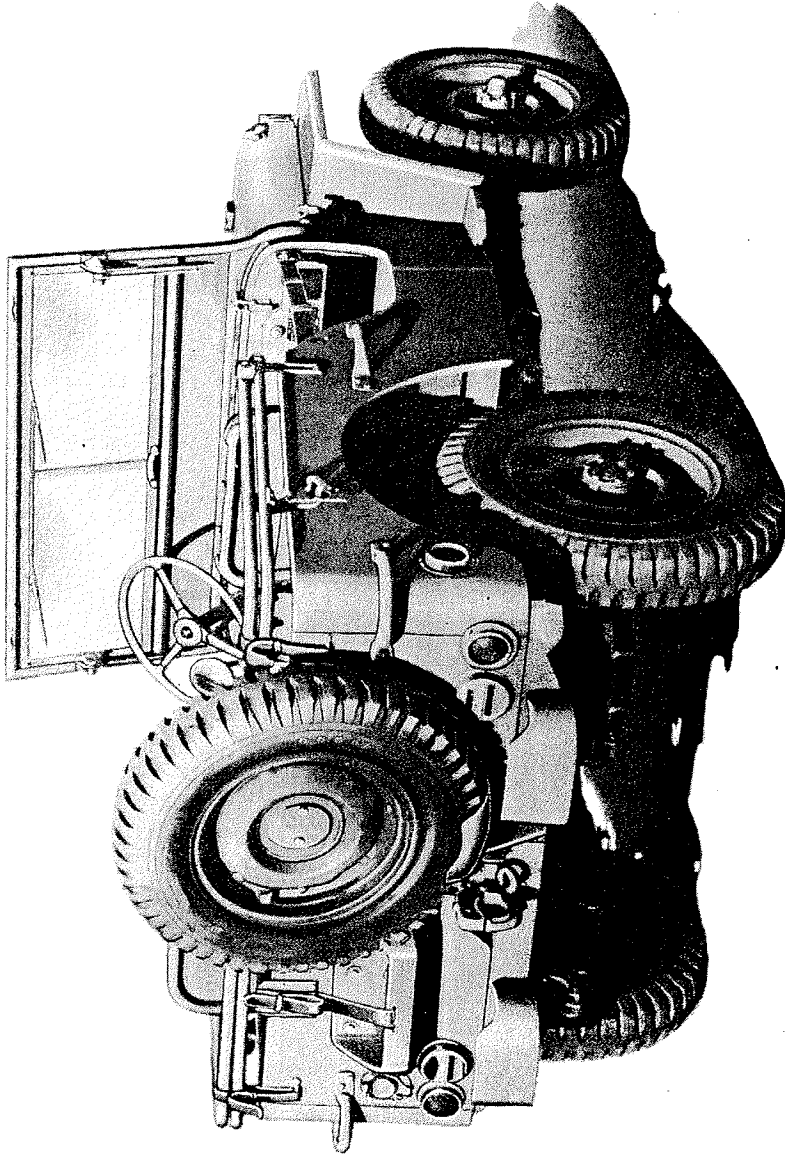
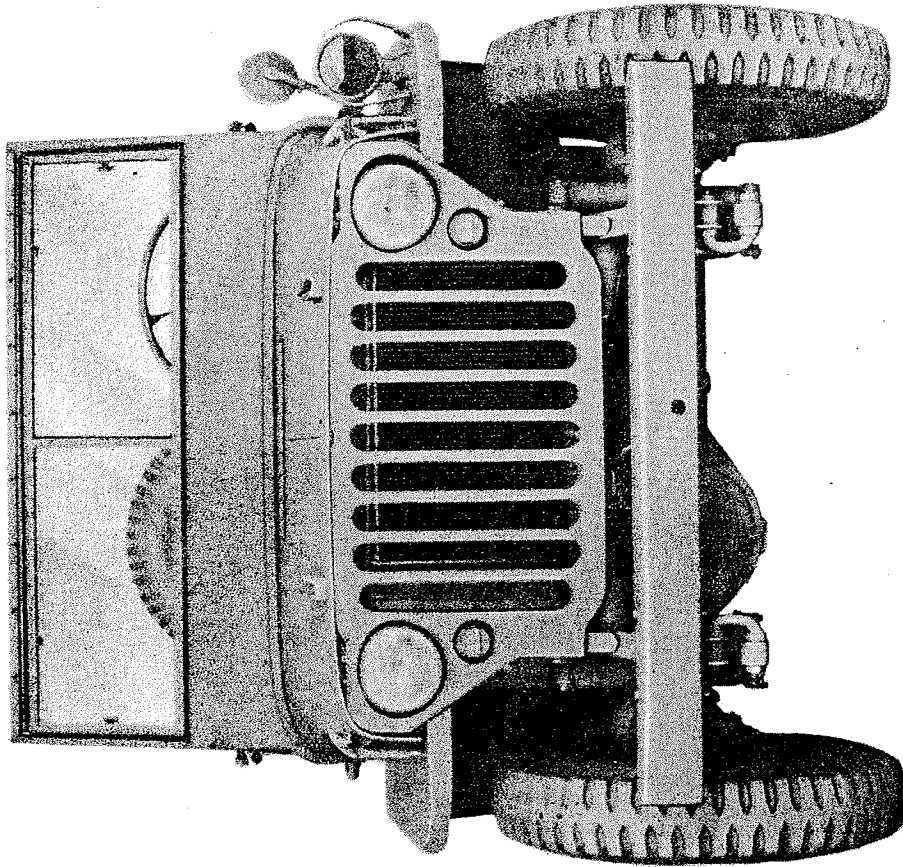


FIGURE D—TRUCK, 1/4-TON, 4 x 4 COMMAND RECONNAISSANCE—3/4 RIGHT REAR VIEW



RA PD 342257

FIGURE E—TRUCK, 1/4-TON, 4 x 4 COMMAND RECONNAISSANCE—FRONT VIEW

Key	Part Name	Ford Part No.	Willlys Part No.	Group Number
A	COIL, assembly	FM-GPW-12000	WO-A-1424	0604
B	DISTRIBUTOR, assembly	FM-GPW-12100-B	WO-A-9075	0603-1
C	TUBE, assembly	FM-GPW-9637-B	WO-A-6911	0301C
D	FILTER, assembly	FM-GPW-18660-A	WO-A-1230	0107E
E	FAN, assembly	FM-GPW-8600	WO-A-447	0503A
F	GENERATOR, assembly	FM-GPW-10000-A3	WO-A-10048	0601-1
G	CRANKING MOTOR, assembly	FM-GPW-11001-A	WO-A-1245	0602
H	YOKÉ	FM-GP-7729	WO-A-1106	0803
J	BRAKE, assembly	FM-GPW-2598	WO-A-1008	1201
K	TRANSFER CASE, assembly	FM-GPW-7700	WO-A-1195	0800
L	LEVER	FM-GPW-7710	WO-A-1506	0805B
M	LEVER	FM-GPW-7793	WO-A-1505	0805B

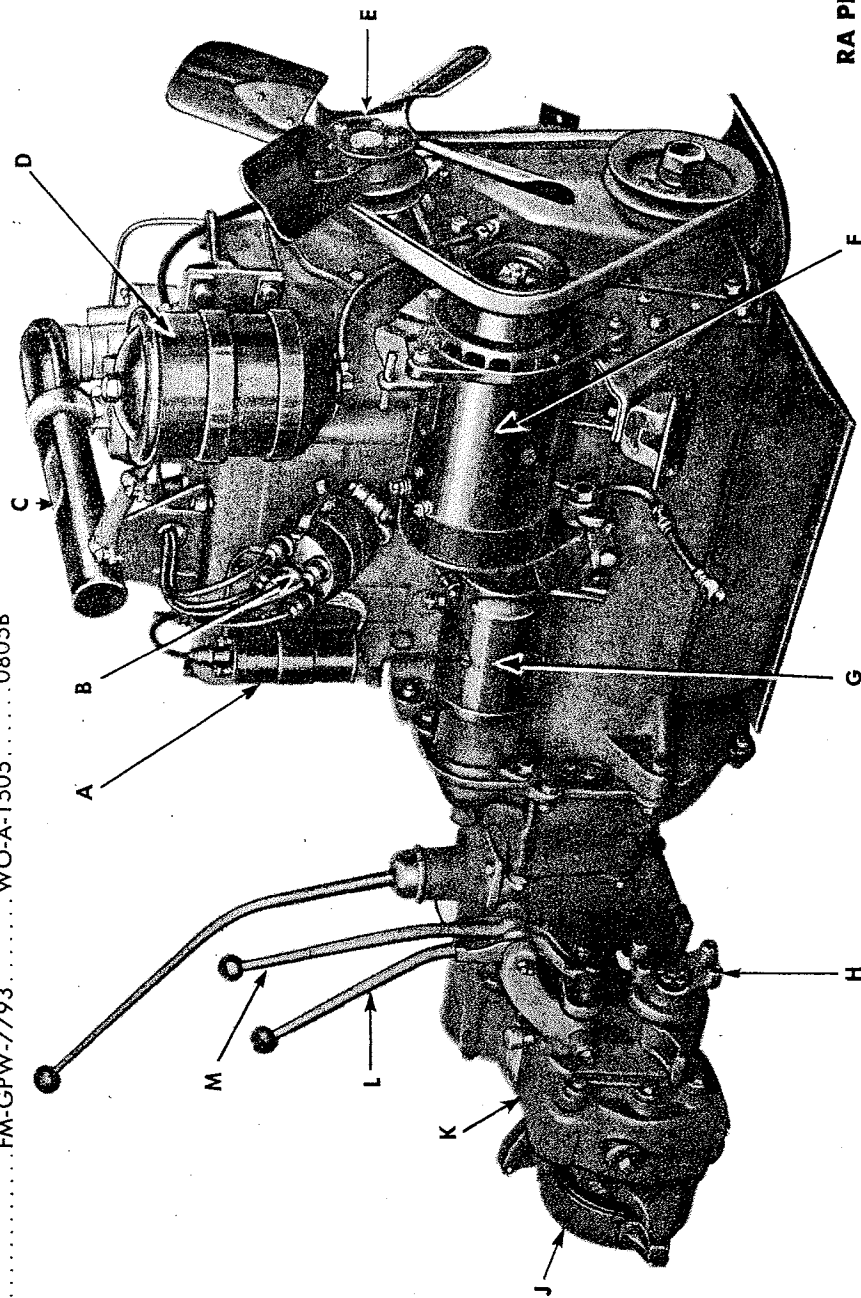
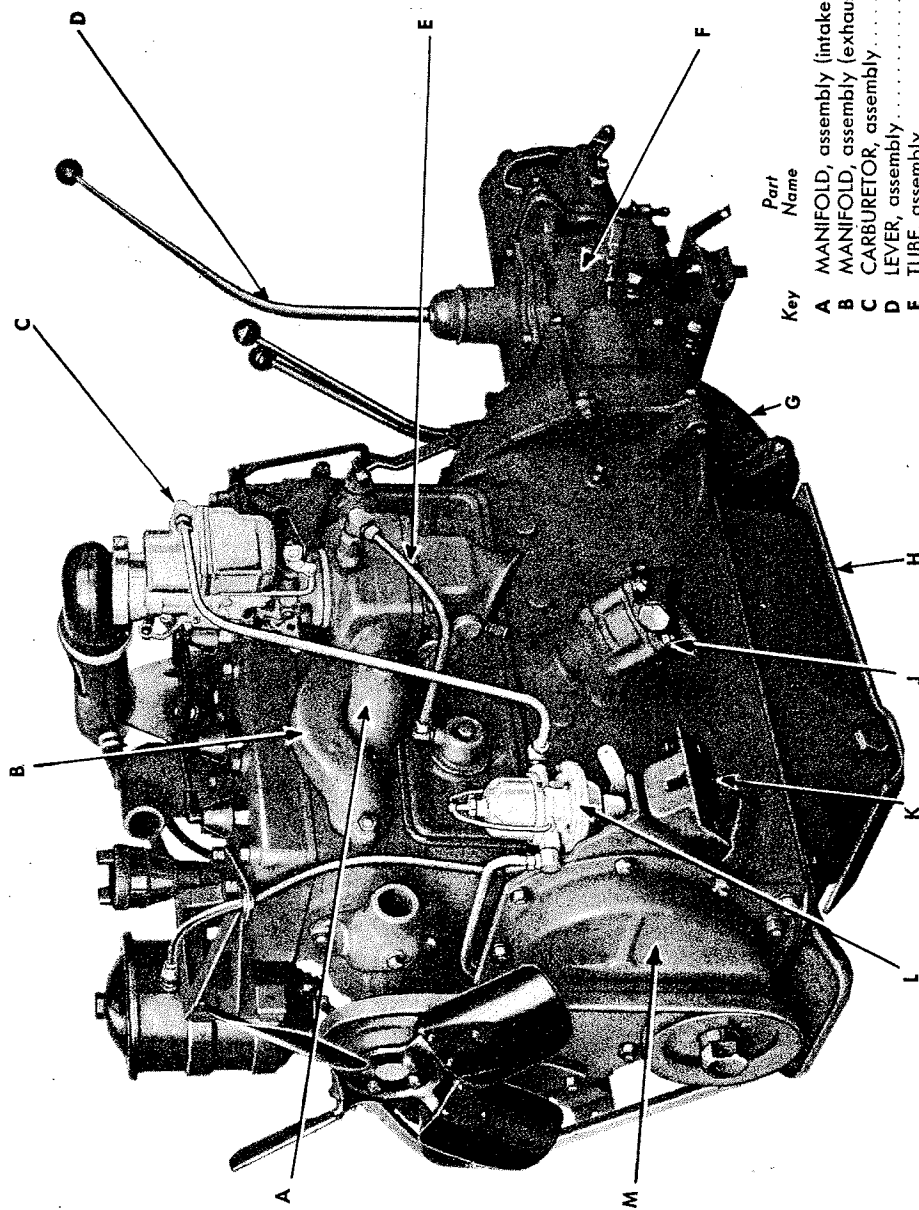


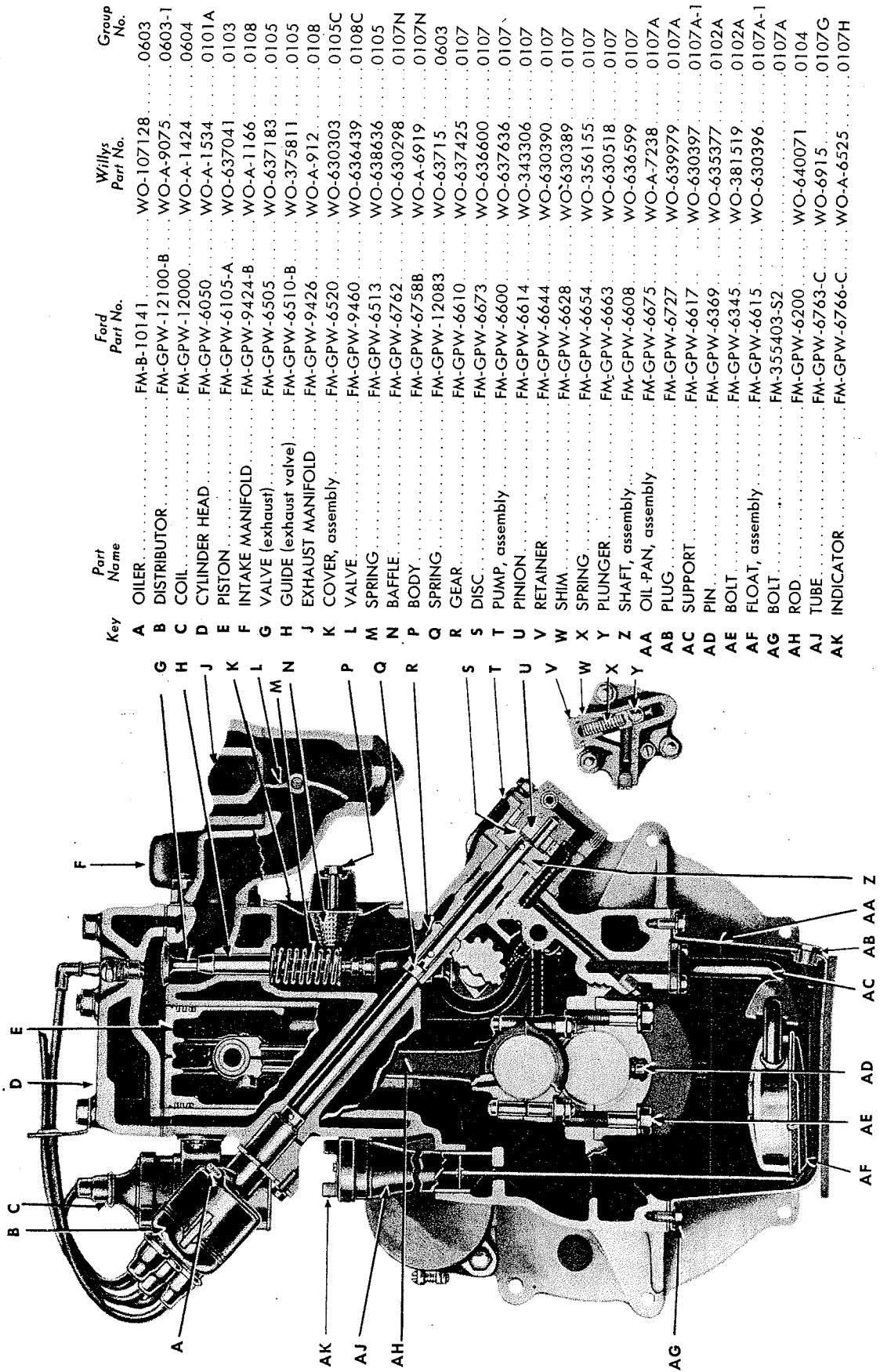
FIGURE 01-2—ENGINE ASSEMBLY—RIGHT SIDE VIEW

RA PD 342237



Key	Part Name	Ford Part No.	Willys Part No.	Group Number
A	MANIFOLD, assembly (intake)	FM-GPW-9424-B	WO-1166	0108
B	MANIFOLD, assembly (exhaust)	FM-GPW-9426	WO-A-912	0108
C	CARBURETOR, assembly	FM-GPW-9510	WO-A-1223	0301
D	LEVER, assembly	FM-GPW-7210-A	WO-A-1380	0706A
E	TUBE, assembly	FM-GPW-6756	WO-A-6922	0107N
F	TRANSMISSION, assembly	FM-GPW-7000	WO-A-1145	0700
G	HOUSING	FM-GPW-6392	WO-A-439	0109C
H	PAN, assembly	FM-GPW-6675	WO-A-7238	0107A
J	PUMP, assembly	FM-GPW-6600	WO-637636	0107
K	INSULATOR, assembly	FM-GPW-6038-A	WO-A-7498	0110
L	PUMP, assembly	FM-GPW-9350-B	WO-A-8323	0302
M	COVER, assembly	FM-GPW-6054	WO-A-1190	0106D

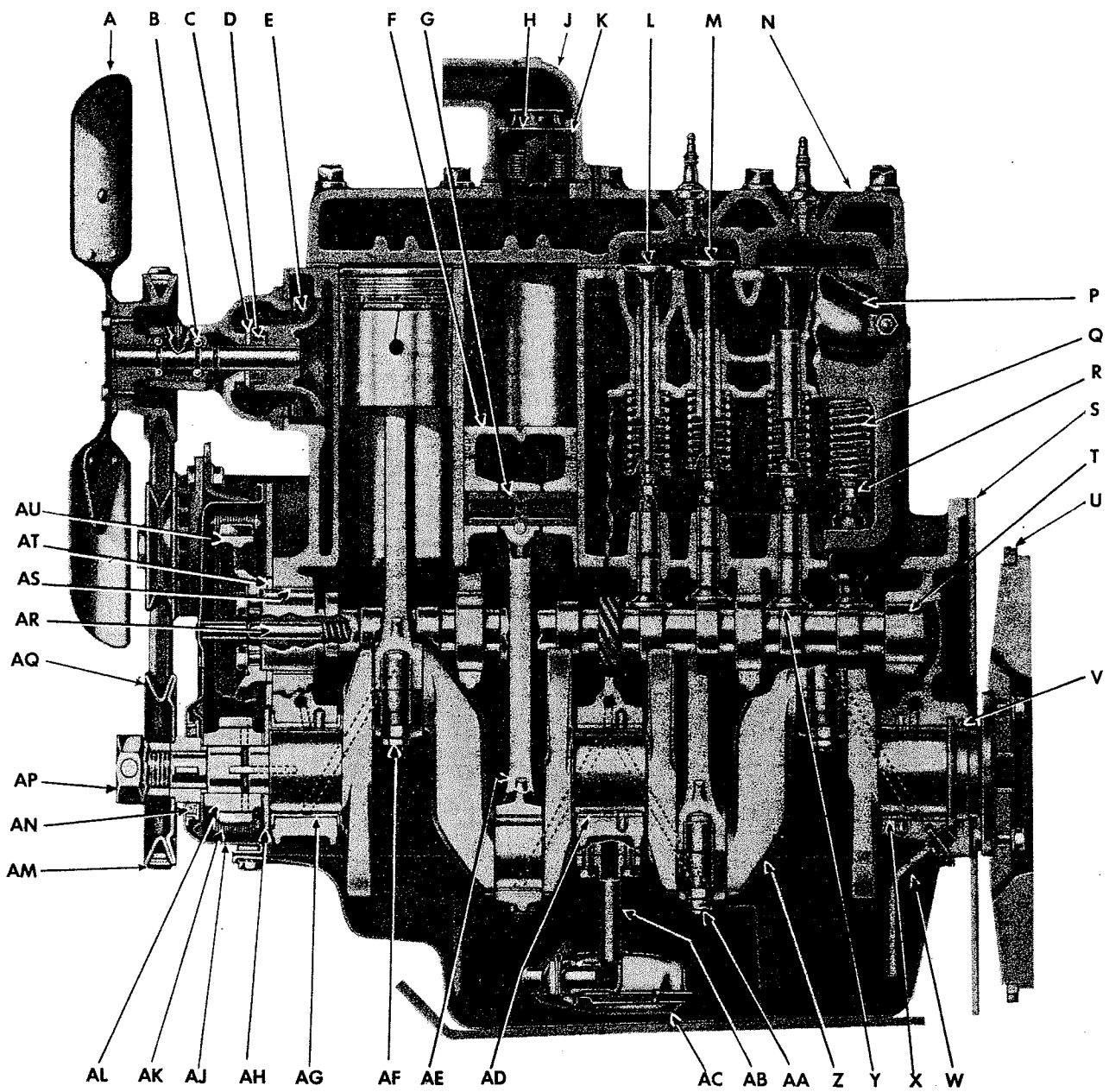
FIGURE 01-1—ENGINE ASSEMBLY—LEFT SIDE VIEW



Key	Part Name	Ford Part No.	Willlys Part No.	Group No.
A	OILER	FM-B-10141	WO-107128	0603
B	DISTRIBUTOR	FM-GPW-12100-B	WO-A-9075	0603-1
C	COIL	FM-GPW-12000	WO-A-1424	0604
D	CYLINDER HEAD	FM-GPW-6050	WO-A-1534	0101A
E	PISTON	FM-GPW-6105-A	WO-637041	0103
F	INTAKE MANIFOLD	FM-GPW-9424-B	WO-A-1166	0108
G	VALVE (exhaust)	FM-GPW-6505	WO-637183	0105
H	GUIDE (exhaust valve)	FM-GPW-6510-B	WO-375811	0105
J	EXHAUST MANIFOLD	FM-GPW-9426	WO-A-912	0108
K	COVER, assembly	FM-GPW-6520	WO-630303	0105C
L	VALVE	FM-GPW-9460	WO-636439	0108C
M	SPRING	FM-GPW-6513	WO-638636	0105
N	BAFFLE	FM-GPW-6762	WO-630298	0107N
P	BODY	FM-GPW-6758B	WO-A-6919	0107N
Q	SPRING	FM-GPW-12083	WO-63715	0603
R	GEAR	FM-GPW-6610	WO-637425	0107
S	DISC	FM-GPW-6673	WO-636600	0107
T	PUMP, assembly	FM-GPW-6600	WO-637636	0107
U	PINION	FM-GPW-6614	WO-343306	0107
V	RETAINER	FM-GPW-6644	WO-630390	0107
W	SHIM	FM-GPW-6628	WO-630389	0107
X	SPRING	FM-GPW-6654	WO-356155	0107
Y	PLUNGER	FM-GPW-6663	WO-630518	0107
Z	SHAFT, assembly	FM-GPW-6608	WO-636599	0107
AA	OIL-PAN, assembly	FM-GPW-6675	WO-A-7238	0107A
AB	PLUG	FM-GPW-6727	WO-639979	0107A
AC	SUPPORT	FM-GPW-6617	WO-630397	0107A-1
AD	PIN	FM-GPW-6369	WO-635377	0102A
AE	BOLT	FM-GPW-6345	WO-381519	0102A
AF	FLOAT, assembly	FM-GPW-6615	WO-630396	0107A-1
AG	BOLT	FM-355403-S2		0107A
AH	ROD	FM-GPW-6200	WO-640071	0104
AJ	TUBE	FM-GPW-6763-C	WO-6915	0107G
AK	INDICATOR	FM-GPW-6766-C	WO-A-6525	0107H

FIGURE 01-3—ENGINE ASSEMBLY—TRANSVERSE SECTIONAL VIEW

RA PD 342255



RA PD 342291

FIGURE 01-4—ENGINE ASSEMBLY—LONGITUDINAL SECTIONAL VIEW

Key	Part Name	Ford Part No.	Willys Part No.	Group No.
A	FAN, assembly	FM-GPW-8600	WO-A-447	0503A
B	BEARING, w/SHAFT, assembly	FM-GPW-8530	WO-636297	0503
C	WASHER	FM-GPW-8557-A	WO-640034	0503
D	SEAL, assembly	FM-GPW-8524-A	WO-640031	0503
E	IMPELLER	FM-GPW-8512	WO-639993	0503
F	PISTON, assembly	FM-GPW-6105-A	WO-637041	0103
G	PIN	FM-GPW-6135-A	WO-636961	0103B
H	THERMOSTAT	FM-GPW-8575	WO-637646	0502
J	ELBOW	FM-GPW-8250	WO-A-1192	0505
K	RETAINER	FM-GPW-8578	WO-639651	0502
L	VALVE	FM-GPW-6505	WO-637183	0105
M	VALVE <i>INTAKE</i>	FM-GPW-6507	WO-637182	0105
N	HEAD	FM-GPW-6050	WO-A-1534	0101A
P	MANIFOLD, assembly	FM-GPW-9426	WO-A-912	0108
Q	SPRING	FM-GPW-6513	WO-638636	0105
R	SCREW	FM-GPW-6549-B	WO-640020	0105A
S	PLATE	FM-GPW-7007	WO-A-5121	0109C
T	CAMSHAFT	FM-GPW-6250	WO-637065	0106
U	GEAR	FM-GPW-6384	WO-635394	0109B
V	PACKING	FM-GPW-6702	WO-637237	0102A
W	PIPE	FM-GPW-6326	WO-630294	0102A
X	BEARING	FM-GPW-6337-A	WO-638733	0102A
Y	TAPPET	FM-GPW-6500-A	WO-637047	0105A
Z	CRANKSHAFT	FM-GPW-6303-A	WO-638121	0102
AA	BOLT	Willys only	WO-640070	0104
AB	SUPPORT	FM-GPW-6617	WO-630397	0107A-1
AC	FLOAT, assembly	FM-GPW-6615	WO-630396	0107A-1
AD	BEARING	FM-GPW-6341-A	WO-638731	0102A
AE	ROD	FM-GPW-6201	WO-640072	0104
AF	NUT	FM-356021-S	WO-636962	0104
AG	BEARING	FM-GPW-6338-A	WO-637008	0102A
AH	WASHER	FM-GPW-6308	WO-634796	0102
AJ	COVER, assembly	FM-GPW-6054	WO-A-1190	0106D
AK	CHAIN	FM-GPW-6260	WO-638457	0106C
AL	SPROCKET	FM-GPW-6306	WO-638459	0106C
AM	BELT	FM-GPW-8620-A	WO-A-9490	0503B
AN	PACKING	FM-GPW-6700	WO-637098	0102A
AP	NUT, assembly	FM-GPW-6319	WO-387633	0102
AQ	PULLEY	FM-GPW-6312	WO-638113	0102
AR	PLUNGER	FM-GPW-6243	WO-375907	0106
AS	BUSHING	FM-GPW-6262-A	WO-639051	0106A
AT	WASHER	FM-GPW-6245	WO-375900	0106
AU	SPROCKET	FM-GPW-6256	WO-638458	0106C

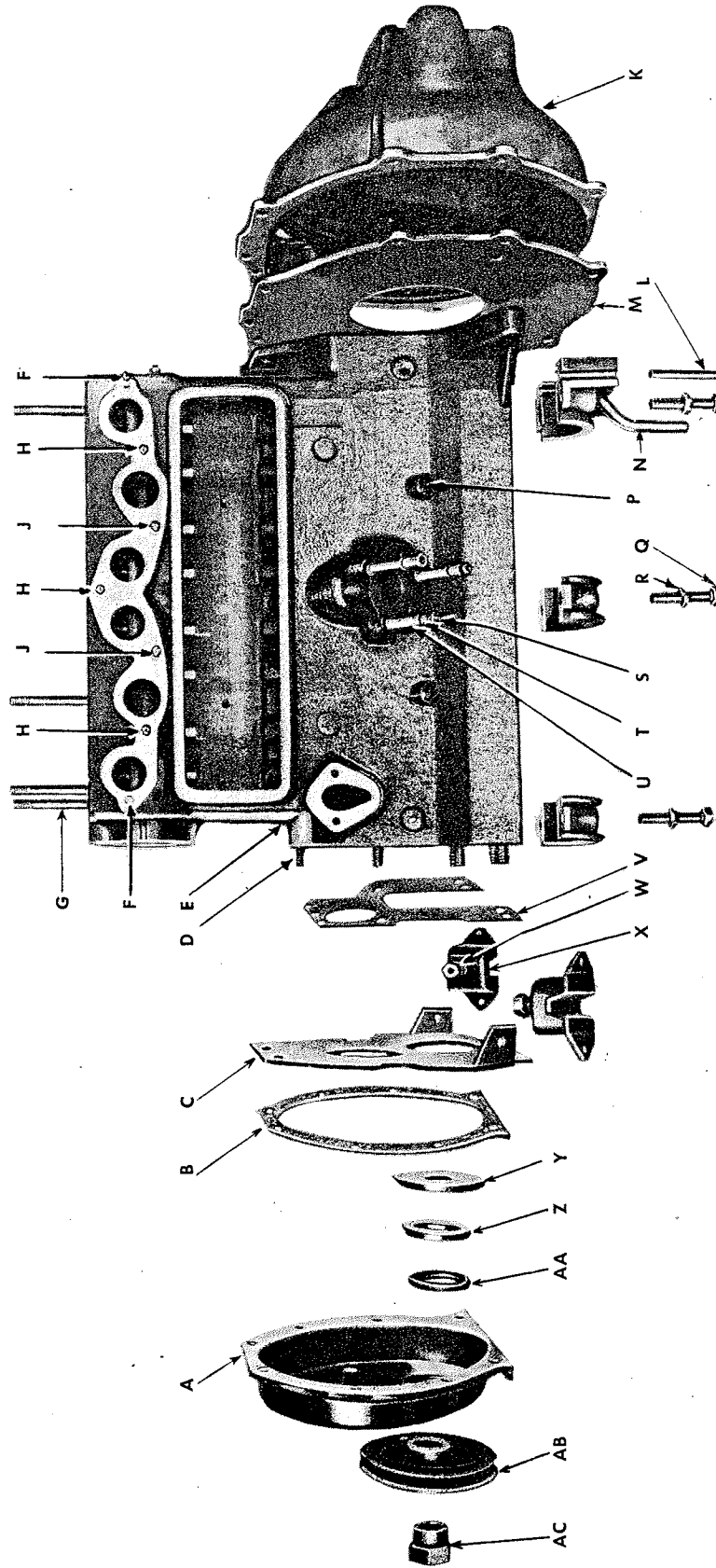
RA PD 342291A

FIGURE 01-4A—LEGEND FOR FIGURE 01-4
ENGINE ASSEMBLY—LONGITUDINAL SECTIONAL VIEW

GROUP 01—ENGINE

Figure Number	Official Stock Number	Piece Mark or Part Number		ITEM	Quant. Reqd. per Unit Assy.	Unit Price
		Ford No.	Willlys No.			
Col. 1	Col. 2	Col. 3	Col. 4	Col. 5	Col. 6	Col. 7
				GROUP 01—ENGINE		
				0100—ENGINE ASSEMBLY		
	9680-A-1388	WO-A-1388		ENGINE, assembly (includes all units from flywheel forward less air CLEANER).....	1	
	3320-GPW-6005	FM-GPW-6005	WO-A-5497	ENGINE, assembly (includes CLUTCH, assembly, FLYWHEEL HOUSING, and all units ready to run) (superseded by ENGINE, assembly, FM-GPW-6004, WO-A-5497)		
	3320-GPW-6004	FM-GPW-6004	WO-A-5497	ENGINE, assembly (includes CLUTCH, assembly, FLYWHEEL HOUSING, and all units ready to run) (supersedes ENGINE, assembly, FM-GPW-6005, WO-A-5497).....	1	257.70
				0101—CRANKCASE AND CYLINDER BLOCK		
01-5		FM-GPW-6009	WO-A-6793	BLOCK, cylinder, w/PISTONS and RINGS, assembly (includes camshaft bushings, crankshaft bearing caps, piston pins, and valve guides).....	1	73.62
	H106-0103647	FM-9N-8115	WO-A-1126	COCK, drain, engine cylinder water jacket (S, zn-pltd., 1/4 in. pipe thread) (WH-145-A)	1	.0833
	3320-GPW-18390	FM-GPW-18390	WO-A-1536	GASKET SET, engine overhaul (superseded by GASKET SET, FM-GPW-18390-B, WO-A-17401) (Note 1).....	1	.635
		FM-GPW-18390-B	WO-A-17401	GASKET SET, engine overhaul (supersedes GASKET SET, FM-GPW-18390, WO-A-1536) (Note 1).....	1	
				(Consists of:		
		FM-GPW-6288	WO-630365	1 GASKET, chain cover		
		FM-GPW-6020	WO-630359	1 GASKET, cylinder block, front		
		FM-GPW-6051-B	WO-A-8558	1 GASKET, cylinder head		
		FM-GPW-9450	WO-634814	1 GASKET, exhaust pipe flange		
		FM-GPW-9417	WO-638737	1 GASKET, fuel pump		
		FM-GPW-9448	WO-638640	1 GASKET, intake and exhaust manifold		
		FM-GPW-9435	WO-634811	1 GASKET, intake to exhaust manifold		
		FM-GPW-6627	WO-630398	1 GASKET, oil strainer float support		
		FM-GPW-6710	WO-639980	1 GASKET, oil pan		
		FM-GPW-6659	WO-639870	1 GASKET, oil pump cover		
		FM-GPW-6619	WO-630392	4 GASKET, oil pump cover		
		FM-GPW-6734	WO-314338	1 GASKET, oil drain plug		
		FM-GPW-6625	WO-375927	1 GASKET, oil pump shaft		
		FM-GPW-6630	WO-630394	1 GASKET, oil pump to cylinder block		
		FM-GPW-6642	WO-634813	1 GASKET, oil relief spring retainer		
		FM-GPW-6353	WO-334103	1 GASKET, oil slinger		

Note 1—GASKET SETS, FM-GPW-18390, WO-A-1536; and FM-GPW-18390-B, WO-A-17401, have the same components except GASKET, FM-GPW-9445, WO-A-6357, which is not in GASKET SET FM-GPW-18390-B, WO-A-17401.



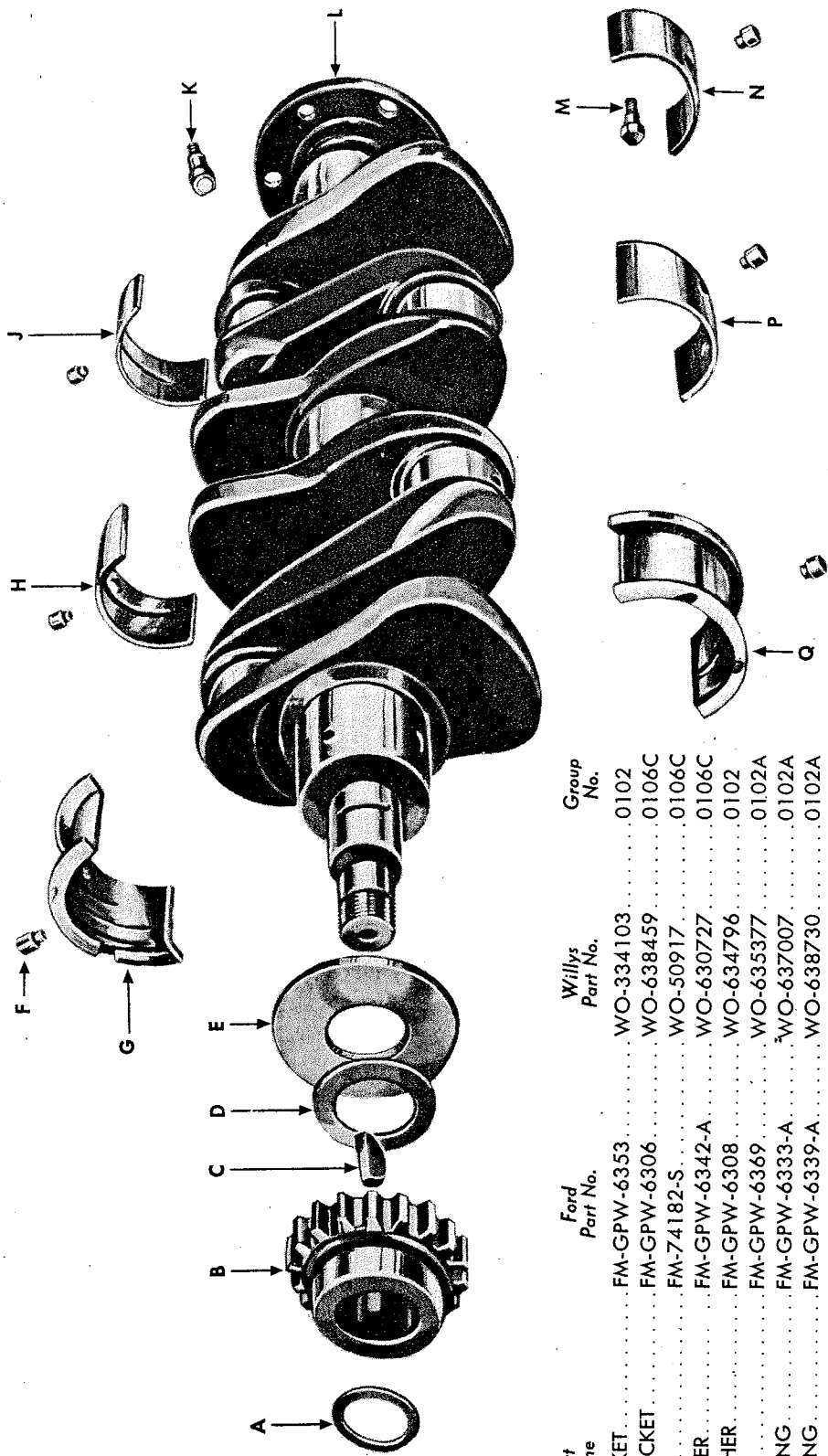
Key	Part Name	Ford Part No.	Willlys Part No.	Group No.
A	COVER.....	FM-GPW-6054.....	WO-A-1190.....	.0106D
B	GASKET.....	FM-GPW-6288.....	WO-630365.....	.0106D
C	PLATE.....	FM-GPW-6031-A3.....	WO-A-1463.....	.0106D
D	STUD.....	FM-88022-S.....	WO-384958.....	.0106D
E	BLOCK, assembly.....	FM-GPW-6009.....	WO-A-6793.....	.0101
F	STUD.....	FM-88082-S.....	WO-349712.....	.0108
G	STUD.....	FM-GPW-6066.....	WO-349368.....	.0101A
H	STUD.....	FM-88042-S.....	WO-300143.....	.0108
J	STUD.....	FM-88057-S7.....	WO-632159.....	.0108
K	HOUSING.....	FM-GPW-6392.....	WO-A-439.....	.0109C
L	PACKING.....	FM-GPW-6701.....	WO-637790.....	.0102A
M	PLATE.....	FM-GPW-7007.....	WO-A-5121.....	.0109C
N	PIPE.....	FM-GPW-6326.....	WO-630294.....	.0102A
P	PLUG.....	FM-358064-S.....	WO-5085.....	.0101
Q	BOLT.....	FM-GPW-6345.....	WO-381519.....	.0102A
R	WASHER.....	FM-34809-S.....	WO-5009.....	.0102A
S	NUT.....	FM-33798-S7.....	WO-A-1532.....	.0107
T	WASHER.....	FM-34806-S7.....	WO-51833.....	.0107
U	STUD.....	FM-88141-S.....	WO-375981.....	.0107
V	GASKET.....	FM-GPW-6020.....	WO-630359.....	.0106D
W	NUT.....	FM-33846-S2.....	WO-5916.....	.0110
X	INSULATOR.....	FM-GPW-6038-A.....	WO-A-7498.....	.0102
Y	SLINGER.....	FM-GPW-6310.....	WO-375877.....	.0102
Z	RETAINER.....	FM-GPW-6287.....	WO-375920.....	.0102A
AA	PACKING.....	FM-GPW-6700.....	WO-637098.....	.0102A
AB	PULLEY.....	FM-GPW-6312.....	WO-638113.....	.0102
AC	NUT.....	FM-GPW-6319.....	WO-387633.....	.0102

FIGURE 01-5—TIMING CHAIN COVER, CYLINDER BLOCK AND FLYWHEEL HOUSING—EXPLODED VIEW

GROUP 01—ENGINE (Cont'd)

Figure Number	Official Stock Number	Piece Mark or Part Number		ITEM	Quant. Reqd. per Unit Assy.	Unit Price
		Ford No.	Willlys No.			
Col. 1	Col. 2	Col. 3	Col. 4	Col. 5	Col. 6	Col. 7
		FM-01A-12410 FM-GPW-6521 FM-GPW-6555-A FM-GPW-6648 FM-GPW-8255 FM-GPW-8543 FM-GPW-6700 FM-GPW-6702 FM-GPW-6701 FM-GPW-18387	WO-637863 WO-630305 WO-51875 WO-630299 WO-639650 WO-637053 WO-637098 WO-637237 WO-637790 WO-A-1537	0101—CRANKCASE AND CYLINDER BLOCK (Cont'd) GASKET SET, engine overhaul (cont'd) 4 GASKET, spark plug 1 GASKET, valve spring cover 2 GASKET, valve cover screw 1 GASKET, ventilator to valve cover 1 GASKET, water outlet elbow 1 GASKET, water pump to cylinder block 1 PACKING, crankshaft 2 PACKING, rear bearing cap 2 PACKING, rear bearing cap GASKET SET, engine, valve regrind (superseded by GASKET SET, FM-GPW-18387-B, WO-A-17402) (Note 1) GASKET SET, engine, valve regrind (components also in GASKET SET, FM-GPW-18390-B, WO-A-17401) (supersedes GASKET SET, FM-GPW 18387 WO-A-1537) (Note 1) (Consists of: 1 GASKET, cylinder head 1 GASKET, exhaust pipe flange 1 GASKET, intake and exhaust manifold 1 GASKET, intake to exhaust manifold 4 GASKET, spark plug 2 GASKET, valve cover screw 1 GASKET, valve spring cover 1 GASKET, valve spring cover to ventilator 1 GASKET, water outlet elbow PLUG, expansion, S, 1 1/4 in. (cylinder block) PLUG, pipe, sq-hd., black, 1/8 in. (cylinder block oil hole) PLUG, pipe, sq-hd., black, 1/4 in. (drain, cylinder water jacket)	1 1	.424
		FM-GPW-6051-B FM-GPW-9450 FM-GPW-9448 FM-GPW-9435 FM-01A-12410 FM-GPW-6555-A FM-GPW-6521 FM-GPW-6648 FM-GPW-8255 FM-74121-S FM-358064-S FM-353055-S	WO-A-8558 WO-634814 WO-638640 WO-634811 WO-637865 WO-51875 WO-630305 WO-630299 WO-639650 WO-51091 WO-5085 WO-5138	0101A—CYLINDER HEAD GASKET, engine cylinder head (superseded by GASKET, FM-GPW-6051-B, WO-A-8558)	5 4 1	.0142
01-5	H006-0282480 H006-0283800 H006-0283805					
	G503-0194018	FM-GPW-6051	WO-638678		1	.179

Note 1—GASKET SETS, FM-GPW-18387, WO-A-1537; and FM-GPW-18387-B, WO-A-17402, have the same components except GASKET, FM-GPW-9445, WO-A-6357, which is not in GASKET SET, FM-GPW-18307-B, WO-A-17402.



Key	Part Name	Ford Part No.	Willlys Part No.	Group No.
A	GASKET	FM-GPW-6353	WO-334103	.0102
B	SPROCKET	FM-GPW-6306	WO-638459	.0106C
C	KEY	FM-74182-S	WO-50917	.0106C
D	SPACER	FM-GPW-6342-A	WO-630727	.0106C
E	WASHER	FM-GPW-6308	WO-634796	.0102
F	PIN	FM-GPW-6369	WO-635377	.0102A
G	BEARING	FM-GPW-6333-A	WO-637007	.0102A
H	BEARING	FM-GPW-6339-A	WO-638730	.0102A
J	BEARING	FM-GPW-6331-A	WO-638732	.0102A
K	BOLT	FM-GPW-6390	WO-116295	.0109
L	CRANKSHAFT	FM-GPW-18288	WO-A-7568	.0102
M	BOLT	FM-355497-S	WO-632157	.0109
N	BEARING	FM-GPW-6337-A	WO-638733	.0102A
P	BEARING	FM-GPW-63Y1-A	WO-638731	.0102A
Q	BEARING	FM-GPW-6338-A	WO-637008	.0102A

FIGURE 01-6—CRANKSHAFT AND BEARINGS

GROUP 01—ENGINE (Cont'd)

Figure Number	Official Stock Number	Piece Mark or Part Number		ITEM	Quant. Req'd. per Unit Assy.	Unit Price
		Ford No.	Willlys No.			
Col. 1	Col. 2	Col. 3	Col. 4	Col. 5	Col. 6	Col. 7
01-3, 4	3320-GPW-6051-B	FM-GPW-6051-B	WO-A-8558	0101A—CYLINDER HEAD (Cont'd) GASKET, engine cylinder head (also in FM-GPW-18387, WO-A-1537 GASKET SET) (supersedes GASKET, FM-GPW-6051, WO-638678). HEAD, cylinder, engine (ratio 6.48). BOLT, hex-hd., s-fm., alloy-S, $\frac{7}{16}$ -14NC-2 (rolled thd.) x $2\frac{3}{4}$ (superseded by STUD, FM-GPW-6066, WO-349368). NUT, reg., hex., s-fm., alloy-S, $\frac{1}{16}$ -20NF-2. NUT, cylinder head stud (ORD-A7044072) (Note 1). STUD, S, cd-pltd., $\frac{7}{16}$ -14NC x $3\frac{1}{16}$ x $\frac{1}{16}$ -20NF (superseded by STUD, FM-GPW-6066, WO-349368). STUD, S, $\frac{7}{16}$ -14NC x $3\frac{1}{16}$ x $\frac{1}{16}$ -20NF (supersedes STUD, FM-GPW-6060, WO-A-1549, and BOLT, FM-GPW-6065, WO-638635). STUD, S, cd-pltd., $\frac{7}{16}$ -14NC x $3\frac{1}{8}$ x $\frac{1}{16}$ -20NF. STUD, cylinder head (ORD-C7044153) (Note 1).	1	8.601
	3320-GPW-6050	WO-A-1534	1			
	3320-GPW-6065	WO-638635				
	G085-2307376	FM-351025-S7	WO-638539		9	.0389
		FM-GPW-6060	WO-A-1549		15	.0083
		FM-GPW-6066	WO-349368		2	
		3320-GPW-6067	WO-A-1548		5	
01-5					14	.0318
					1	.0582
					2	
01-4	3320-GPW-6303-A	FM-GPW-6303-A	WO-638121	0102—CRANKSHAFT CRANKSHAFT, engine. CRANKSHAFT, engine, group assembly. (Consists of: 2 BOLT, special hd., S, $\frac{1}{2}$ -20NF-2 x $1\frac{1}{16}$ 1 CRANKSHAFT 2 NUT, jam, hex., S, $\frac{1}{2}$ -20NF-2 2 WASHER, lock, S, internal tooth, flat type, $\frac{1}{2}$ in.) (Note: Parts Numbered FM-GPW-6390, WO-116295; FM-33929-S, WO-52804; and FM-34909-S2, WO-52330 are required for straight doweling of flywheel to crankshaft. Eliminates need of special tapered reamer.) GASKET, engine crankshaft oil slinger (also in FM-GPW-18390, WO-1536 GASKET SET). NUT, engine crankshaft, w/PIN, assembly NUT, engine crankshaft (Note 2). PULLEY, engine crankshaft (Note 1). PULLEY, engine crankshaft (Note 2). PULLEY, engine crankshaft (ORD-C7044165) (Note 3). KEY, Woodruff, S, $\frac{3}{16}$ x $\frac{3}{4}$ (GM-124549). SHIM, engine crankshaft (0.002 thk.).	1	24.06
01-6	3320-GPW-18288	FM-GPW-18288	WO-A-7568		1	
		FM-GPW-6390	WO-116295			
		FM-GPW-6303-A	WO-638121			
		FM-33929-S	WO-52804			
		FM-34909-S2	WO-52330			
01-6	3320-GPW-6353	FM-GPW-6353	WO-334103		1	.0073
01-4, 5	3320-GPW-6319	FM-GPW-6319	WO-387633		1	.228
20-2		FM-GPWS-6312	WO-638513		1	
20-2		FM-GPW-6312	WO-A-9205		1	
01-4, 5	3320-GPW-6312	FM-GPW-6312	WO-638113		1	.407
	H001-0518022	FM-74178-S	WO-5036		1	
	3320-GPW-6342-B	FM-GPW-6342-B	WO-630262		1	.0104
					as req.	

01-5	3320-GPW-6310	FM-GPW-6310	WO-375877	SLINGER, oil, engine crankshaft	1	.0194
01-4, 6	3320-GPW-6308	FM-GPW-6308	WO-634796	WASHER, thrust, engine crankshaft (S, 1 1/4 I.D. x 3 1/8 O.D. x 0.156 thk.)	1	.179
0102A—CRANKSHAFT BEARING						
01-6	3320-GPW-6333-A	FM-GPW-6333-A	WO-637007	BEARING, engine crankshaft, front upper (std.) (also in BEARING SET, FM-GPW-18347, WO-A-6798)	1	
01-4, 6	3320-GPW-6338-A	FM-GPW-6338-A	WO-637008	BEARING, engine crankshaft, front lower (std.) (also in BEARING SET, FM-GPW-18347, WO-A-6798)	1	
01-6	3320-GPW-6339-A	FM-GPW-6339-A	WO-638730	BEARING, engine crankshaft, center upper (std.) (also in BEARING SET, FM-GPW-18347, WO-A-6798)	1	
01-4, 6	3320-GPW-6341-A	FM-GPW-6341-A	WO-638731	BEARING, engine crankshaft, center lower (std.) (also in BEARING SET, FM-GPW-18437, WO-A-6798)	1	
01-6	3320-GPW-6331-A	FM-GPW-6331-A	WO-638732	BEARING, engine crankshaft, rear upper (std.) (also in BEARING SET, FM-GPW-18347, WO-A-6798)	1	
01-4, 6	3320-GPW-6337-A	FM-GPW-6337-A	WO-638733	BEARING, engine crankshaft, rear lower (std.) (also in BEARING SET, FM-GPW-18347, WO-A-6798)	1	
01-4, 6	3320-GPW-6333-B	FM-GPW-6333-B	WO-637724	BEARING, engine crankshaft, front upper (0.010 undersize) (also in BEARING SET, FM-GPW-18348, WO-A-6746)	1	
01-4, 6	3320-GPW-6338-B	FM-GPW-6338-B	WO-637725	BEARING, engine crankshaft, front lower (0.010 undersize) (also in BEARING SET, FM-GPW-18348, WO-A-6746)	1	
01-4, 6	3320-GPW-6339-B	FM-GPW-6339-B	WO-639237	BEARING, engine crankshaft, center upper (0.010 undersize) (also in BEARING SET, FM-GPW-18348, WO-2-6746)	1	
01-4, 6	3320-GPW-6341-B	FM-GPW-6341-B	WO-639238	BEARING, engine crankshaft, center lower (0.010 undersize) (also in BEARING SET, FM-GPW-18348, WO-A-6746)	1	
01-4, 6	3320-GPW-6331-B	FM-GPW-6331-B	WO-639239	BEARING, engine crankshaft, rear upper (0.010 undersize) (also in BEARING SET, FM-GPW-18348, WO-A-6746)	1	
01-4, 6	3320-GPW-6337-B	FM-GPW-6337-B	WO-639240	BEARING, engine crankshaft, rear lower (0.010 undersize) (also in BEARING SET, FM-GPW-18348, WO-A-6746)	1	
01-4, 6	3320-GPW-6338-C	FM-GPW-6338-C	WO-116524	BEARING, engine crankshaft, front lower (0.020 undersize) (also in BEARING SET, FM-GPW-18349, WO-A-6747)	1	
01-4, 6	3320-GPW-6333-C	FM-GPW-6333-C	WO-116552	BEARING, engine crankshaft, front upper (0.020 undersize) (also in BEARING SET, FM-GPW-18349, WO-A-6747)	1	
01-4, 6	3320-GPW-6341-C	FM-GPW-6341-C	WO-116528	BEARING, engine crankshaft, center lower (0.020 undersize) (also in BEARING SET, FM-GPW-18349, WO-A-6747)	1	
01-4, 6	3320-GPW-6339-C	FM-GPW-6339-C	WO-116526	BEARING, engine crankshaft, center upper (0.020 undersize) (also in BEARING SET, FM-GPW-18349, WO-A-6747)	1	
01-4, 6	3320-GPW-6337-C	FM-GPW-6337-C	WO-116532	BEARING, engine crankshaft, rear lower (0.020 undersize) (also in BEARING SET, FM-GPW-18349, WO-A-6747)	1	
01-4, 6	3320-GPW-6331-C	FM-GPW-6331-C	WO-116530	BEARING, engine crankshaft, rear upper (0.020 undersize) (also in BEARING SET, FM-GPW-18349, WO-A-6747)	1	
01-4, 6	3320-GPW-6338-D	FM-GPW-6338-D	WO-116525	BEARING, engine crankshaft, front lower (0.030 undersize) (also in BEARING SET, FM-GPW-18350, WO-A-6748)	1	
01-4, 6	3320-GPW-6333-D	FM-GPW-6333-D	WO-116523	BEARING, engine crankshaft, front upper (0.030 undersize) (also in BEARING SET, FM-GPW-18350, WO-A-6748)	1	

Note 1—Only for vehicles modified by MWO ORD G503-W7 (see page 3). Note 2—Only for vehicles modified by MWO ORD G503-W8 (see page 3).

Note 3—Only for vehicles modified by MWO ORD G503-W9 (see page 3).

GROUP 01—ENGINE (Cont'd)

Figure Number	Official Stock Number	Piece Mark or Part Number		ITEM	Quant. Req'd. per Unit Assy.	Unit Price
		Ford No.	Willlys No.			
Col. 1	Col. 2	Col. 3	Col. 4	Col. 5	Col. 6	Col. 7
				0102A—CRANKSHAFT BEARING (Cont'd)		
		FM-GPW-6341-D	WO-116529	BEARING, engine crankshaft, center lower (0.030 undersize) (also in BEARING SET, FM-GPW-18350, WO-A-6748)	1	
		FM-GPW-6339-D	WO-116527	BEARING, engine crankshaft, center upper (0.030 undersize) (also in BEARING SET, FM-GPW-18350, WO-A-6748)	1	
		FM-GPW-6337-D	WO-116533	BEARING, engine crankshaft, rear lower (0.030 undersize) (also in BEARING SET, FM-GPW-18350, WO-A-6748)	1	
		FM-GPW-6331-D	WO-116531	BEARING, engine crankshaft, rear upper (0.030 undersize) (also in BEARING SET, FM-GPW-18350, WO-A-6748)	1	
	3320-GPW-18347	FM-GPW-18347	WO-A-6798	BEARING SET, engine crankshaft (std.) (Consists of: 1 BEARING, front lower 1 BEARING, front upper 1 BEARING, center upper 1 BEARING, center lower 1 BEARING, rear upper 1 BEARING, rear lower)	1	2.411
	3320-GPW-18348	FM-GPW-6338-A FM-GPW-6333-A FM-GPW-6339-A FM-GPW-6341-A FM-GPW-6331-A FM-GPW-6337-A FM-GPW-18348	WO-637008 WO-637007 WO-638730 WO-638731 WO-638732 WO-638733 WO-A-6746	BEARING SET, engine crankshaft (0.010 undersize) (Consists of: 1 BEARING, front upper 1 BEARING, front lower 1 BEARING, center upper 1 BEARING, center lower 1 BEARING, rear upper 1 BEARING, rear lower)	1	2.835
	3320-GPW-18349	FM-GPW-6333-B FM-GPW-6338-B FM-GPW-6339-B FM-GPW-6341-B FM-GPW-6331-B FM-GPW-6337-B FM-GPW-18349	WO-637724 WO-637725 WO-639237 WO-639238 WO-639239 WO-639240 WO-A-6747	BEARING SET, engine crankshaft (0.020 undersize) (Consists of: 1 BEARING, front upper 1 BEARING, front lower 1 BEARING, center upper 1 BEARING, center lower 1 BEARING, rear upper 1 BEARING, rear lower)	1	3.08
	3320-GPW-18350	FM-GPW-6333-C FM-GPW-6338-C FM-GPW-6339-C FM-GPW-6341-C FM-GPW-6331-C FM-GPW-6337-C FM-GPW-18350	WO-116552 WO-116524 WO-116526 WO-116528 WO-116530 WO-116532 WO-A-6748	BEARING SET, engine crankshaft (0.030 undersize) (Consists of: 1 BEARING, front lower 1 BEARING, front upper	1	

GROUP 01—ENGINE (Cont'd)

Figure Number	Official Stock Number	Piece Mark or Part Number		ITEM	Quant. Reqd. per Unit Assy.	Unit Price
		Ford No.	Willys No.			
Col. 1	Col. 2	Col. 3	Col. 4	Col. 5	Col. 6	Col. 7
				0102A—CRANKSHAFT BEARING (Cont'd)		
		FM-GPW-6341-D	WO-116529	BEARING SET, engine crankshaft (0.030 undersize) (cont'd)		
		FM-GPW-6339-D	WO-116527	1 BEARING, center lower		
		FM-GPW-6337-D	WO-116533	1 BEARING, center upper		
		FM-GPW-6331-D	WO-116531	1 BEARING, rear lower		
01-3, 5	3320-GPW-6345	FM-GPW-6345	WO-381519	1 BEARING, rear upper	6	.0435
01-5	H001-1518011	FM-34809-S	WO-5009	BOLT, crankshaft bearing cap (hex-hd., S, 1/2-13NC x 2 3/8)	6	
01-4, 5	3320-GPW-6700	FM-GPW-6700	WO-637098	WASHER, lock, S, SAE std., 1/2 in.	1	.0251
01-4	3320-GPW-6702	FM-GPW-6702	WO-637237	PACKING, engine crankshaft, front end (also in GASKET SET, FM-GPW-18390, WO-A-1536)	1	
01-5	3320-GPW-6701	FM-GPW-6701	WO-637790	PACKING, engine crankshaft, rear end (CN-type 310-0) (also in GASKET SET, FM-GPW-18390, WO-A-1536)	2	.0179
01-3, 6	3320-GPW-6369	FM-GPW-6369	WO-635377	PIN, dowel, crankshaft bearing	2	.0184
01-5	3320-GPW-6326	FM-GPW-6326	WO-630294	PIPE, drain, engine crankshaft rear bearing cap	5	.0135
	3320-357420-S	FM-357420-S	WO-337112	PIN, S, 1/8 x 7/8	1	.0512
01-5	3320-GPW-6287	FM-GPW-6287	WO-375920	RETAINER, engine crankshaft front packing	1	.0264
				0103—PISTONS		
		FM-GPW-6110-A	WO-636954	PISTON, engine, w/o PIN (std.)	4	
		3320-GPW-6110-C	WO-116021	PISTON, engine, w/o PIN (0.020 oversize)	4	
		3320-GPW-6110-D	WO-116022	PISTON, engine, w/o PIN (0.030 oversize)	4	
01-3, 4	3320-GPW-6105-A	FM-GPW-6105-A	WO-637041	PISTON, engine, w/PIN, assembly (std. size re-ring)	4	1.645
	3320-GPW-6105-C	FM-GPW-6105-C	WO-116019	PISTON, engine, w/PIN, assembly (0.020 oversize re-ring)	4	1.515
	3320-GPW-6105-D	FM-GPW-6105-D	WO-116020	PISTON, engine, w/PIN, assembly (0.030 oversize re-ring)	4	1.515
	3320-GPW-6105-F	FM-GPW-6105-F	WO-116701	PISTON, engine, w/PIN, assembly (0.040 oversize re-ring)	4	
				0103A—RINGS		
01-7		FM-GPW-6150-A	WO-639864	RING, engine piston, top groove, std.	4	
		FM-GPW-6150-C	WO-116502	RING, engine piston, top groove, 0.020 oversize	4	
		FM-GPW-6150-D	WO-116503	RING, engine piston, top groove, 0.030 oversize	4	
01-7		FM-GPW-6155-A	WO-637042	RING, engine piston, second groove, std.	4	
		FM-GPW-6155-G	WO-116023	RING, engine piston, second groove, 0.020 oversize	4	
		FM-GPW-6155-H	WO-116024	RING, engine piston, second groove, 0.030 oversize	4	

3320-GPW-6149-E	FM-GPW-6156-F FM-GPW-6156-H FM-GPW-6156-J FM-GPW-6149-E	WO-116616 WO-116116 WO-116117 WO-A-6794	RING, engine piston, bottom groove, std. RING, engine piston, bottom groove, 0.020 oversize. RING, engine piston, bottom groove, 0.030 oversize. RING SET, engine piston, conventional type (std.)	4 4 4 1	.652
	FM-GPW-6150-A FM-GPW-6155-A FM-GPW-6156-F	WO-639864 WO-637042 WO-116616	(Consists of: 4 RING, top groove 4 RING, second groove 4 RING, bottom groove)		

Key	Part Name	Ford Part No.	Willlys Part No.	Group No.
A	RING	FM-GPW-6150-A	WO-639864	0103A
B	RING	FM-GPW-6155-A	WO-637042	0103A
C	RING	FM-GPW-6156-F	WO-116616	0103A
D	PISTON	FM-GPW-6105-A	WO-637041	0103
E	WASHER	FM-34807-S2	WO-5010	0103B
F	BOLT	FM-355497-S	WO-632157	0103B
G	BOLT	Willlys only	WO-640070	0104
H	ROD, assembly	FM-GPW-6200	WO-640071	0104
J	NUT	FM-356021-S	WO-636962	0104
K	NUT	FM-356028-S	WO-52825	0104
L	BEARING	FM-GPW-6211-A	WO-639862	0104A
M	PIN	FM-GPW-6135-A	WO-636961	0103B

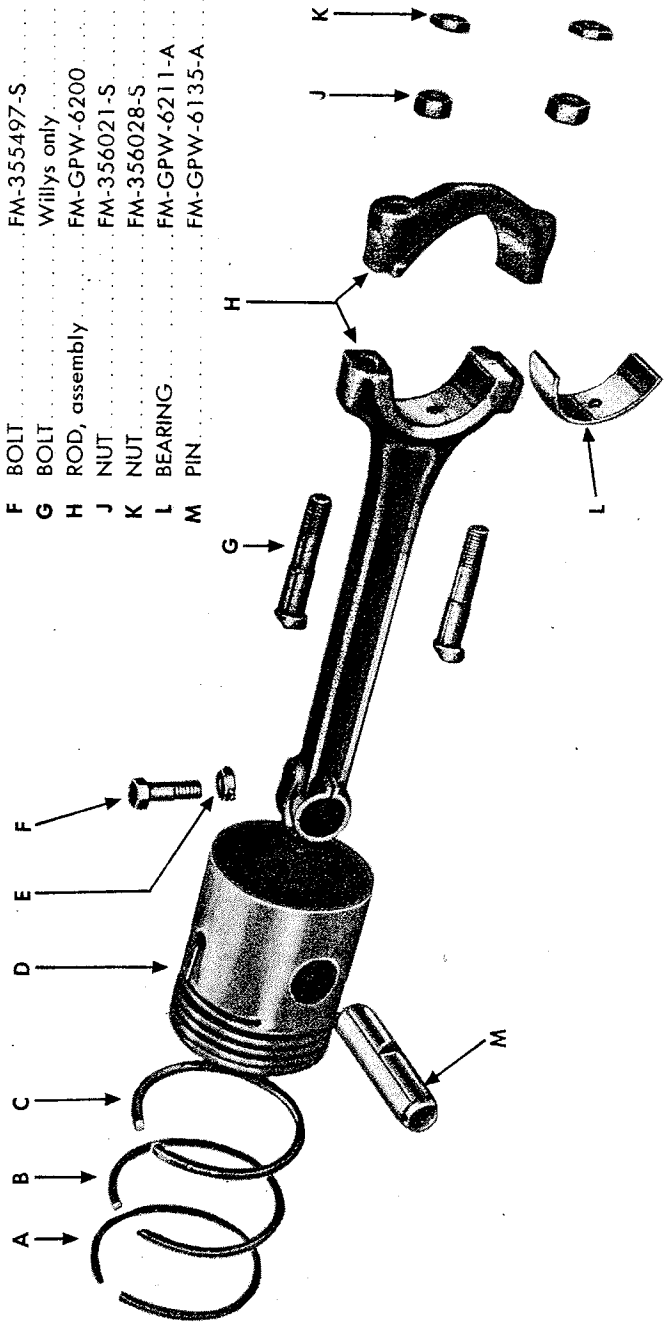


FIGURE 01-7—PISTON AND CONNECTING ROD—EXPLODED VIEW

GROUP 01—ENGINE (Cont'd)

Figure Number	Official Stock Number	Piece Mark or Part Number		ITEM	Quant. Reqd. per Unit Assy.	Unit Price
		Ford No.	Willlys No.			
Col. 1	Col. 2	Col. 3	Col. 4	Col. 5	Col. 6	Col. 7
				0103A—RINGS (Cont'd)		
	3320-GPW-6149-G	FM-GPW-6149-G	WO-A-6796	RING SET, engine piston, conventional type (0.020 oversize) (Consists of: 4 RING, top groove 4 RING, second groove 4 RING, bottom groove)	1	.652
	3320-GPW-6149-H	FM-GPW-6149-H	WO-A-6797	RING SET, engine piston, conventional type (0.030 oversize) (Consists of: 4 RING, top groove 4 RING, second groove 4 RING, bottom groove)	1	.652
	3320-GPW-6149-J	FM-GPW-6149-J	WO-A-15283	RING SET, engine piston, conventional type (.040 oversize)	1	
				0103B—PISTON PINS		
01-7	3320-355497-S	FM-355497-S	WO-632157	BOLT, lock, engine piston pin (in connecting rod)	4	.0125
01-7	H001-1518009	FM-34807-S2	WO-5010	WASHER, lock, S, SAE std., 3/8 in.	4	
01-4, 7	3320-GPW-6135-D	FM-GPW-6135-A FM-GPW-6135-D	WO-636961 WO-116003	PIN, engine piston (std. size) PIN, engine piston (0.003 oversize)	4 4	
				0104—CONNECTING RODS		
01-4, 7	9680-640070		WO-637020	BOLT, engine connecting rod bearing cap (head has 2 flat sides, S., 1/16-20NF-2 x 2 3/8)	8	
01-4, 7	3320-356021-S	FM-356021-S	WO-640070	BOLT, engine connecting rod bearing cap (offset head, S., 1/16-20NF x 2 3/8)	8	
01-7	H001-0726020	FM-356028-S	WO-52825 WO-639999	NUT, hex, S., 1/16-20NF-2 NUT, hex, S, stamped, std. type, 1/16-20NF-2 (Palnut)	8 8	.0167 .0042
01-3, 7	3320-GPW-6200	FM-GPW-6200	WO-640071	ROD, connecting, engine, Nos. 1 and 3, assembly (less bearing) (superseded by ROD, FM-GPW-6200, WO-640071)	2	
			WO-639999	ROD, connecting, engine, Nos. 1 and 3, assembly (less bearing) (supersedes ROD, WO-639999) (Note 1)	2	2.525
			WO-639858	ROD, connecting, engine, Nos. 1 and 3, w/BEARING, assembly	2	
			WO-640000	ROD, connecting, engine, Nos. 2 and 4, assembly (less bearing) (superseded by ROD, FM-GPW-6201, WO-640072)	2	
01-4	3320-GPW-6201	FM-GPW-6201	WO-640072	ROD, connecting, engine, Nos. 2 and 4, assembly (less bearing) (supersedes ROD, WO-640000) (Note 1)	2	2.525
			WO-639859	ROD, connecting, engine, Nos. 2 and 4, w/BEARING, assembly	2	

Part Number	Part Name	Quantity	Notes
01-7	3320-GPW-6211-A 3320-GPW-6211-B 3320-GPW-6211-C 3320-GPW-18330-A 3320-GPW-18330-B 3320-GPW-18330-C 3320-GPW-18330-D	8 8 8 8 4	BEARING, engine connecting rod, upper or lower half (std.) (also in BEARING SET, FM-GPW-18330-A, WO-A-7233) BEARING, engine connecting rod, upper or lower half (0.010 undersize) (also in BEARING SET, FM-GPW-18330-B, WO-A-7234) BEARING, engine connecting rod, upper or lower half (0.020 undersize) (also in BEARING SET, FM-GPW-18330-C, WO-A-7235) BEARING, engine connecting rod, upper or lower half (0.030 undersize) (also in BEARING SET, FM-GPW-18330-D, WO-A-7236) (Consists of: 2 BEARING) BEARING SET, engine connecting rod (0.010 undersize) (Consists of: 2 BEARING) BEARING SET, engine connecting rod (0.020 undersize) (Consists of: 2 BEARING) BEARING SET, engine connecting rod (0.030 undersize) (Consists of: 2 BEARING)
	FM-GPW-6211-A FM-GPW-6211-B FM-GPW-6211-C FM-GPW-6211-D FM-GPW-18330-A FM-GPW-6211-A FM-GPW-18330-B FM-GPW-6211-B FM-GPW-18330-C FM-GPW-6211-C FM-GPW-18330-D FM-GPW-6211-D	WO-639862 WO-116534 WO-116535 WO-116536 WO-A-7233 WO-639862 WO-A-7234 WO-116534 WO-A-7235 WO-116535 WO-A-7236 WO-116536	
01-3	3320-GPW-6510 3320-GPW-6510-B 3320-GPW-6511	4 4 4	GUIDE, engine exhaust valve stem (superseded by GUIDE, FM-GPW-6510-B, WO-375811) GUIDE, engine exhaust valve stem (supersedes GUIDE, FM-GPW-6510) GUIDE, engine intake valve stem (superseded by GUIDE, FM-GPW-6511-B, WO-637045)
01-8	3320-GPW-6511-B 3320-GPW-6546	4 4	GUIDE, engine intake valve stem (supersedes GUIDE, FM-GPW-6511) LOCK, engine valve spring retainer (lower)
01-8	3320-GPW-6514	16	RETAINER, engine valve spring (lower)
01-3, 4, 8	3320-GPW-6513 3320-GPW-6550	8 8	SPRING, engine valve SPRING, engine valve tappet clearance (model MA only)
01-3, 4, 8	G503-7036580	4	VALVE, exhaust, engine (RMC-A-366)
01-4	G503-7036579	4	VALVE, intake, engine (RMC-A-365)
01-4, 8	3320-GPW-6549-B 3320-GPW-6552-B	8 8	NUT, engine valve tappet adjusting screw (3/8-24NF) SCREW, adjusting, engine valve tappet (S, hex-hd., 3/8-24NF x 7/8) (superseded by SCREW, FM-GPW-6549-B, WO-640020) SCREW, adjusting, engine valve tappet (self-locking) (supersedes SCREW, FM-GPW-6549, WO-637048) TAPPET, engine valve, w/SCREW, assembly
	FM-355571-S FM-GPW-6549 FM-GPW-6549-B FM-GPW-6552-B	WO-375910 WO-637048 WO-640020 WO-640019	

Note 1—Rod, assemblies, FM-GPW-6200 and FM-GPW-6201 use studs for cap; WO-640071 and WO-640072 use bolts—complete assemblies are interchangeable.

Key	Part Name	Ford Part No.	Willlys Part No.	Group No.
A	VALVE	FM-GPW-6505	WO-637183	.0105
B	SPRING	FM-GPW-6513	WO-638636	.0105
C	RETAINER	FM-GPW-6514	WO-637044	.0105
D	LOCK	FM-GPW-6546	WO-375994	.0105
E	SCREW	FM-GPW-6549-B	WO-640020	.0105A
F	TAPPET	FM-GPW-6500-A	WO-637047	.0105A
G	CAMSHAFT	FM-GPW-6250	WO-637065	.0106
H	PLUNGER	FM-GPW-6243	WO-375907	.0106
J	SPRING	FM-GPW-6244	WO-375908	.0106
K	BOLT	FM-355499-S	WO-634850	.0106C
L	WASHER	FM-GPW-6269	WO-315932	.0106C
M	SPROCKET	FM-GPW-6306	WO-638459	.0106C
N	SPROCKET	FM-GPW-6256	WO-638458	.0106C
P	CHAIN	FM-GPW-6260	WO-638457	.0106C
Q	WASHER	FM-GPW-6245	WO-375900	.0106
R	BUSHING	FM-GPW-6262-A	WO-639051	.0106A

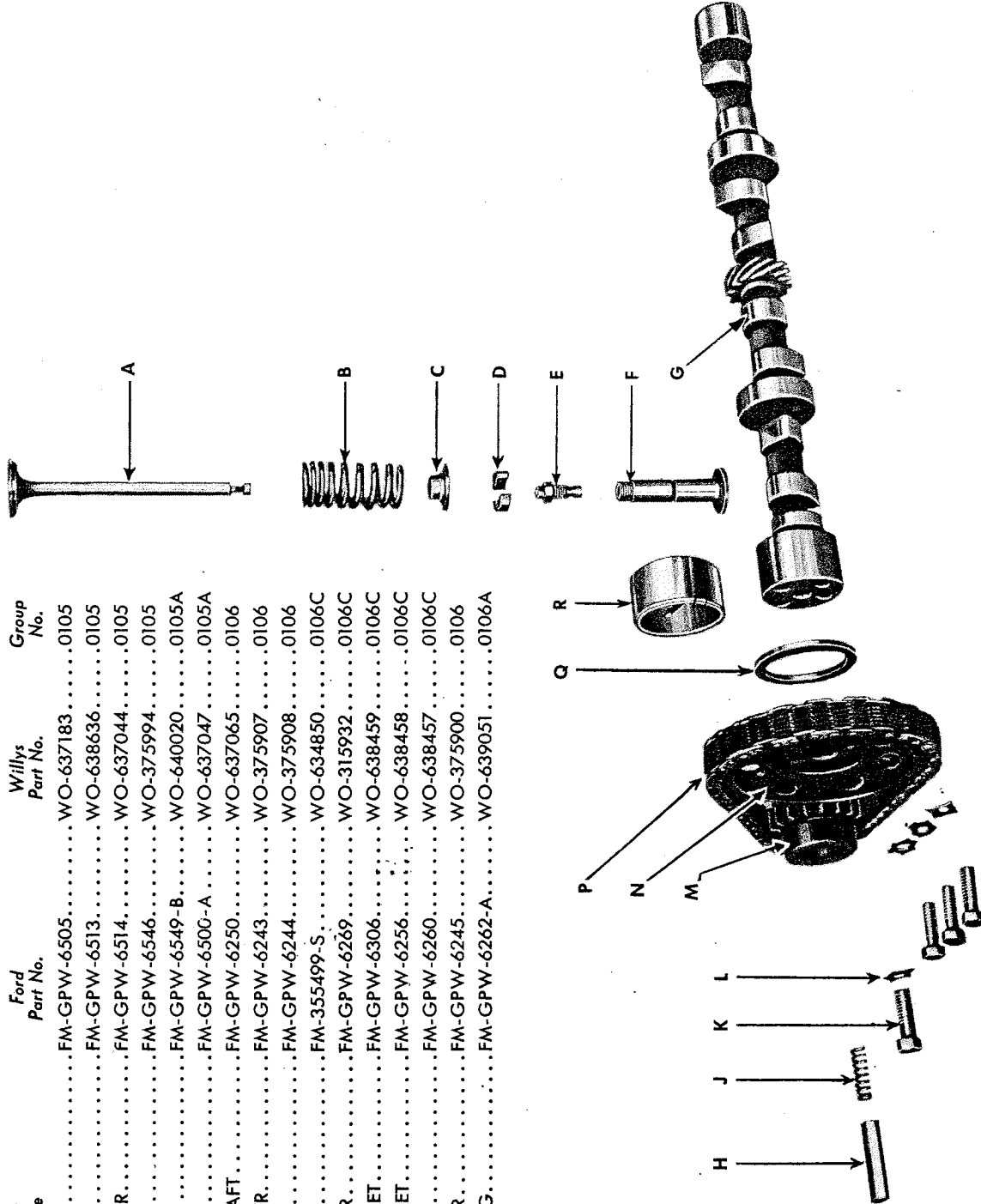
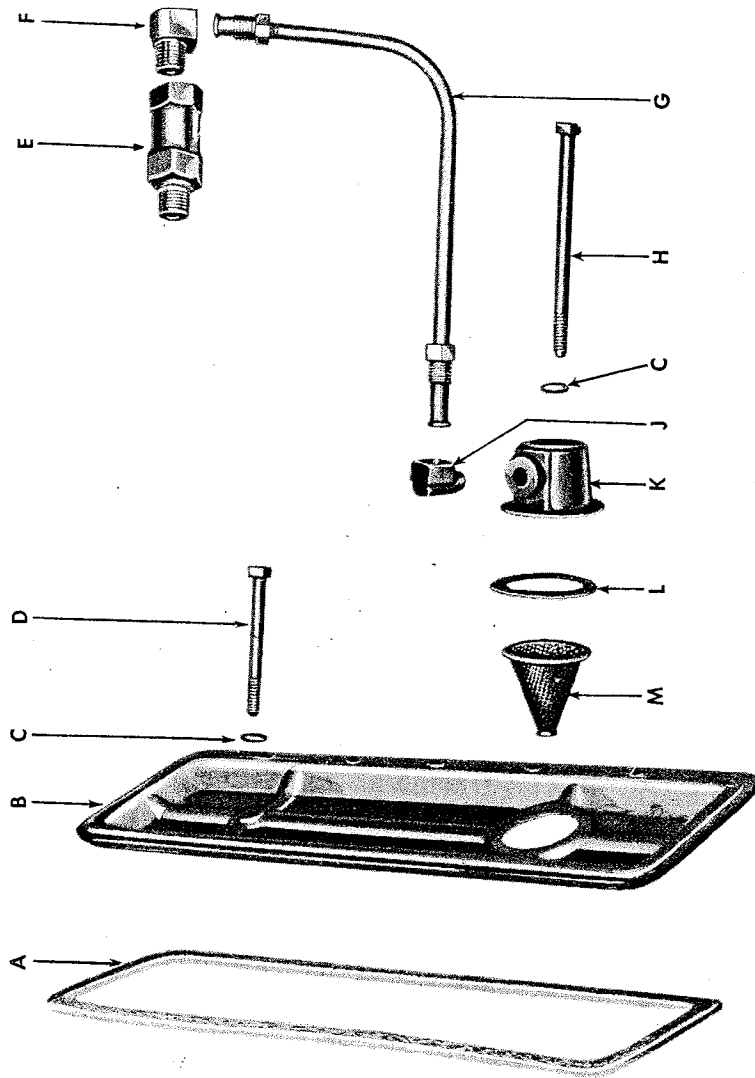


FIGURE 01-8—CAMSHAFT, TIMING CHAIN AND VALVE MECHANISM—EXPLODED VIEW



Key	Part Name	Ford Part No.	Willys Part No.	Group Number
A	GASKET	FM-GPW-6521	WO-630305	0105C
B	COVER	FM-GPW-6520	WO-630303	0105C
C	GASKET	FM-GPW-6555-A	WO-51875	0105C
D	BOLT	FM-355452-S	WO-639052	0105C
E	VALVE, assembly	FM-GPW-6769	WO-A-6895	0107N
F	ELBOW	FM-GPW-6722	WO-A-6885	0107N
G	TUBE, assembly	FM-GPW-6756	WO-A-6922	0107N
H	BOLT	FM-355451-S	WO-632158	0105C
J	ELBOW	FM-GPW-9268	WO-384549	0107N
K	BODY	FM-GPW-6758-B	WO-A-6919	0107N
L	GASKET	FM-GPW-6648	WO-630299	0107N
M	BAFFLE	FM-GPW-6762	WO-630298	0107N

FIGURE 01-9—VALVE COVER AND VENTILATOR PARTS—EXPLODED VIEW

GROUP 01—ENGINE (Cont'd)

Figure Number	Official Stock Number	Piece Mark or Part Number		ITEM	Quant. Reqd. per Unit Assy.	Unit Price
		Ford No.	Willlys No.			
Col. 1	Col. 2	Col. 3	Col. 4	Col. 5	Col. 6	Col. 7
01-4, 8	3320-GPW-6500-A	FM-GPW-6500-A FM-GPW-6500-B	WO-637047 WO-115498	0105A—TAPPETS (Cont'd) TAPPET, engine valve, std. (WIL-ST-1265) (CCS-W-41-25) TAPPET, engine valve, 0.004 O.S.	8 4	.228 .228
01-3, 9	G503-0131476	FM-GPW-6520	WO-630303	0105C—VALVE COVERS AND GASKETS COVER, engine valve spring	1	.261
01-9		FM-355451-S	WO-632158	BOLT, hex-hd., S, 5/16-18NC-2 x 4 1/8	1	.0167
01-9		FM-355452-S	WO-639052	BOLT, hex-hd., S, 5/16-18NC-2 x 3 1/8	1	.0167
01-9	G503-0194022	FM-GPW-6521	WO-630305	GASKET, engine valve spring cover (also in FM-GPW-18387, WO-A-1537, GASKET SET)	1	.0432
	G503-0194032	FM-GPW-6555		GASKET, engine valve spring cover bolt (superseded by GASKET, FM-GPW-6555-A, WO-51875)	1	.0432
01-9		FM-GPW-6555-A	WO-51875	GASKET, engine valve spring cover bolt (also in FM-GPW-18387, WO-A-1537, GASKET SET) (supersedes GASKET, FM-GPW-6555)	2	.0036
01-4, 8	G503-0131476	FM-GPW-6250	WO-637065	0106—CAMSHAFT CAMSHAFT, engine	1	5.67
01-4, 8	3320-GPW-6243	FM-GPW-6243	WO-375907	PLUNGER, thrust, engine camshaft	1	.244
01-8	3320-GPW-6244	FM-GPW-6244	WO-375908	SPRING, engine camshaft thrust plunger	1	.0106
01-8		FM-GPW-6285	WO-630364	STUD, engine camshaft thrust plunger (in timing chain cover)	1	.142
01-4, 8	3320-GPW-6245	FM-GPW-6245	WO-375900	WASHER, thrust, engine camshaft	1	.099
01-4, 8	3320-GPW-6262-A	FM-GPW-6262-A	WO-639051	0106A—CAMSHAFT BUSHINGS (BEARINGS) BUSHING, engine camshaft, front	1	.116
	3320-74127-S	FM-74127-S	WO-51460	PLUG, expansion, engine camshaft rear bearing (1 3/4 in. O.D.)	1	.116
01-4, 8	G503-7036574	FM-GPW-6260	WO-638457	0106C—CHAINS AND SPROCKETS CHAIN, timing, engine camshaft (1/2 in. thk. x 1 in. wide) (LK-S-40936)	1	1.47
01-6	3320-GPW-6342-A	FM-GPW-6342-A	WO-630727	SPACER, engine crankshaft sprocket	1	.0111
01-4, 8	G503-7036571	FM-GPW-6256	WO-638458	SPROCKET, engine camshaft (S, 36 teeth, 5.780 O.D. x 1.013 thk.) (LK-S-035117-1)	1	.603
01-8		FM-355499-S	WO-634850	BOLT, hex-hd., s-fin., alloy-S, 5/8-24NF x 1 1/4	4	.0125
01-8	3320-GPW-6269	FM-GPW-6269	WO-315932	WASHER, lock, S, 3/8 in.	4	.0016
01-4, 6	G503-7036572	FM-GPW-6306	WO-638459	SPROCKET, engine crankshaft (S, 18 teeth, 2.870 O.D. x 1.656 thk.) (LK-S-35116-1)	1	.684
01-6	H101-0124552	FM-74182-S	WO-50917	KEY, Woodruff, No. 13 (3/8 x 1) (GM-124542)	1	.684

0106D—TIMING CHAIN COVER

COVER, engine timing chain, assembly (superseded by COVER, assembly, WO-A-1190)	1	1.37
COVER, engine timing chain, assembly (supersedes COVER, assembly, FM-GPW-6016)	1	
NUT, reg., hex., S., cd-pltd., $\frac{3}{8}$ -24NF-2	6	.0125
STUD, $\frac{3}{8}$ -16NC x $1\frac{1}{8}$ x $\frac{3}{8}$ -24NF (timing chain cover to block)	6	
WASHER, lock, S., SAE std., $\frac{3}{8}$ in.	6	
GASKET, engine timing chain cover (also in GASKET SET, FM-GPW-18390, WO-A-1536)	1	.0329
GASKET, engine cylinder block to timing chain cover plate (also in GASKET SET, FM-GPW-18390, WO-A-1536)	1	.0042
PLATE, engine cylinder block to timing chain cover (superseded by PLATE, FM-GPW-6031-A3, WO-A-1463)	1	
PLATE, engine cylinder block to timing chain cover (supersedes PLATE, FM-GPW-6031)	1	
BOLT, hex-hd., S., $\frac{3}{8}$ -24NF-2 x $\frac{3}{4}$ (plate to front cover)	1	2.02
BOLT, hex-hd., S., $\frac{3}{8}$ -24NF-2 x 1 (plate to front cover)	3	
BOLT, hex-hd., S., $\frac{3}{8}$ -16NC-2 x $\frac{3}{4}$ (plate to cylinder block)	1	.0125
NUT, reg., hex., S., cd-pltd., $\frac{3}{8}$ -24NF-2	3	
WASHER, lock, S., SAE std., $\frac{3}{8}$ in.	4	
RING, retaining, engine timing chain cover packing	7	.0285

0107—OIL PUMP

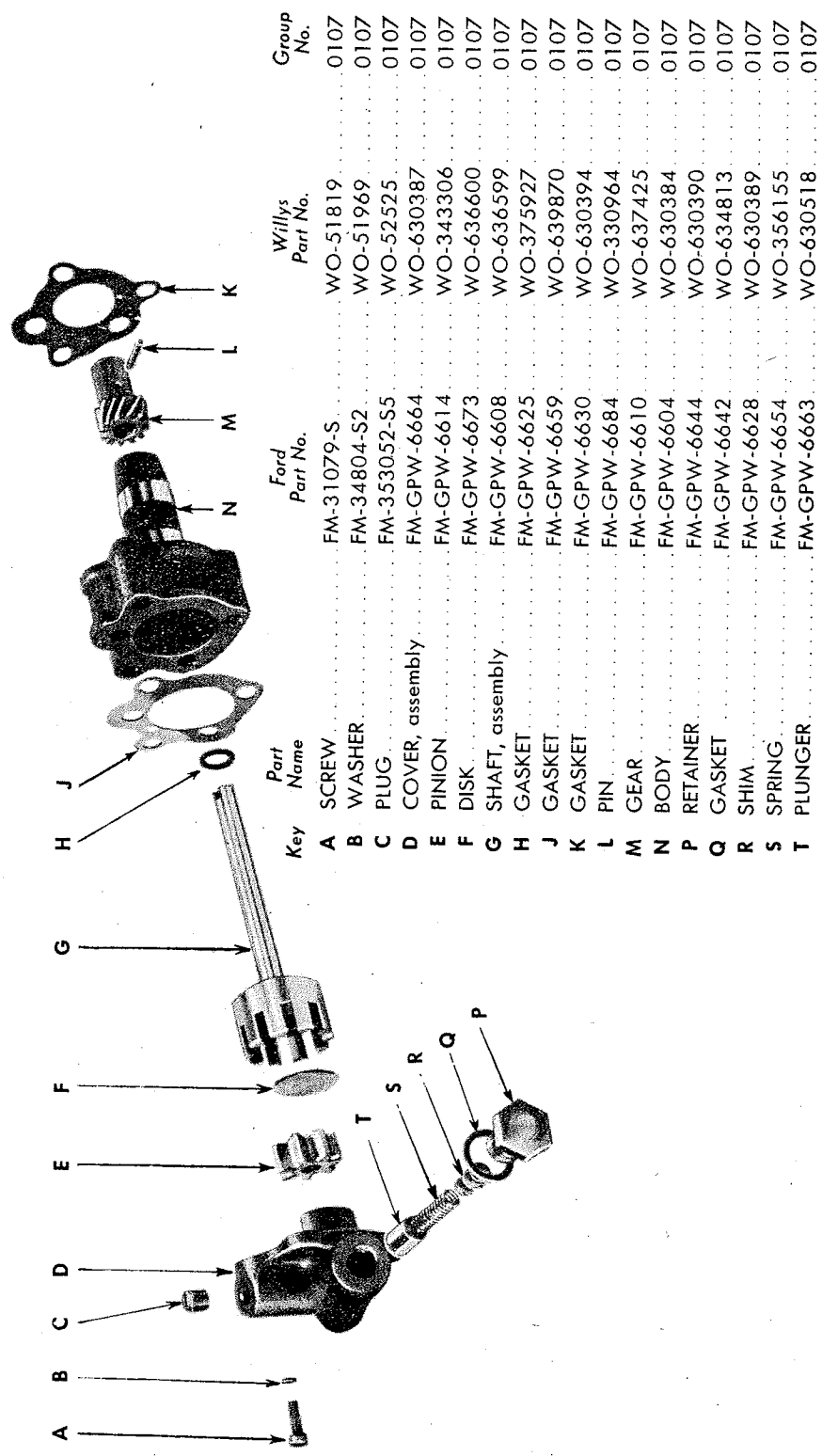
BODY, engine oil pump	1	1.743
COVER, engine oil pump, assembly	1	.0022
SCREW, mach., fil-hd., S., No. 12 (0.214)-24NC-2 x $\frac{5}{8}$	1	
WASHER, lock, S., SAE std., No. 12 (0.214)	1	.0973
DISK, engine oil pump rotor	1	
GASKET, engine oil pump cover (0.003 thk.) (also in GASKET SET, FM-GPW-18380, WO-A-6750 and FM-GPW-18390, WO-A-1536)	1	
GASKET, engine oil pump cover (vellumoid, 0.010 thk.) (also in GASKET SET, FM-GPW-18380, WO-A-6750 and FM-GPW-18390, WO-A-1536)	1	
GASKET, engine oil pump cover to body screw	1	.0042
GASKET, engine oil pump shaft (also in GASKET SET, FM-GPW-18380, WO-A-6750 and FM-GPW-18390, WO-A-1536)	1	
GASKET, engine oil pump to cylinder block (also in GASKET SET, FM-GPW-18380, WO-A-6750 and FM-GPW-18390, WO-A-1536)	1	
GASKET, engine oil pump oil relief spring retainer (paper) (also in GASKET SET, FM-GPW-18380, WO-A-6750 and FM-GPW-18390, WO-A-1536)	1	
GEAR, driven, engine oil pump (12 teeth, 1.1369 O.D. x $\frac{1}{16}$ thk.) (also in KIT, FM-GPW-18379, WO-A-6749)	1	
PIN, stght., S., $\frac{3}{8}$ x $\frac{31}{32}$ (also in KIT, FM-GPW-18379, WO-A-6749)	1	.022
GASKET SET, service, engine oil pump	1	.13
(Consists of:		
1 GASKET, cover to body screw		
1 GASKET, oil float support		
1 GASKET, oil pump cover		

3320-GPW-6016	FM-GPW-6016	WO-A-1190
3320-GPW-6054	FM-GPW-6054	WO-52542
	FM-33800-S7	WO-384958
	FM-88022-S	WO-5010
H001-1518009	FM-34807-S2	WO-630365
3320-GPW-6288	FM-GPW-6288	
	FM-GPW-6020	WO-630359
	FM-GPW-6031	
	FM-GPW-6031-A3	WO-A-1463
	FM-20349-S2	WO-50163
	FM-24389-S2	WO-5919
	FM-24348-S	WO-6412
	FM-33800-S7	WO-52542
H001-1518009	FM-34807-S2	WO-5010
	FM-GPW-6286	WO-375917
	FM-GPW-6604	WO-630384
3320-GPW-6664	FM-GPW-6664	WO-630387
	FM-31079-S	WO-51819
H001-1518006	FM-34804-S2	WO-51969
3320-GPW-6673	FM-GPW-6673	WO-636600
3320-GPW-6619	FM-GPW-6619	WO-630392
	FM-GPW-6659	WO-639870
3320-GPW-6659	FM-GPW-6659	
	FM-355262-S	WO-380197
3320-GPW-6625	FM-GPW-6625	WO-375927
	FM-GPW-6630	WO-630394
3320-GPW-6630	FM-GPW-6630	
	FM-GPW-6642	WO-634813
3320-GPW-6642	FM-GPW-6642	
	FM-GPW-6610	WO-637425
3320-GPW-6610	FM-GPW-6610	
	FM-GPW-6684	WO-330964
3320-GPW-18380	FM-GPW-18380	WO-A-6750
	FM-355262-S	WO-380197
	FM-GPW-6627	WO-630398
	FM-GPW-6659	WO-639870

GROUP 01—ENGINE (Cont'd)

Figure Number	Official Stock Number	Piece Mark or Part Number		ITEM	Quant. Req'd. per Unit Assy.	Unit Price
		Ford No.	Willlys No.			
Col. 1	Col. 2	Col. 3	Col. 4	Col. 5	Col. 6	Col. 7
				0107—OIL PUMP (Cont'd)		
				GASKET SET, service, engine oil pump (Cont'd)		
				4 GASKET, oil pump cover		
				1 GASKET, oil pump to cylinder block		
				1 GASKET, oil pump shaft		
				1 GASKET, oil relief spring retainer		
				1 GASKET, ventilator to valve spring cover		
				4 SHIM, oil relief spring)		
				KIT, repair, engine oil pump.....	1	2.085
				(Consists of:		
				1 GEAR, driven		
				1 PIN, driven gear		
				1 PINION		
				1 SHAFT)		
01-3, 10				PINION, engine oil pump (7 teeth) (also in KIT, FM-GPW-18379, WO-A-6749).....	1	.0055
01-10				PLUG, engine oil pump cover (pipe, slotted, 1/8 in.).....	1	.0256
01-3, 10				PLUNGER, engine oil pump relief.....	1	7.445
01-1, 3				PUMP, oil, engine, assembly.....	3	.0092
01-5				STUD, S., 3/16-18NC-2 x 2 3/4 x 3/16-24NF-2.....	3	
01-5				NUT, hex., reg., S., cd-pltd., 3/16-24NF-2.....	3	
01-5				WASHER, lock, S., cd-pltd., SAE std., 3/16 in.....	1	.0422
01-3, 10				RETAINER, engine oil pump oil relief spring.....	1	
01-3, 10				SHAFT, engine oil pump, assembly (also in KIT, FM-GPW-18379, WO-A-6749).....	1	
01-3, 10				SHIM, engine oil pump oil relief spring.....	as req.	
01-3, 10				SPRING, engine oil pump oil relief plunger (S., wire, 13 turns, 0.360 O.D. x 1 1/8 free lgth.).....	1	.0106
				0107A—OIL PAN		
				GASKET, engine oil pan (also in GASKET SET, FM-GPW-18512, WO-A-1538 and FM-GPW-18390, WO-A-1536).....	1	
				GASKET, engine oil pan drain plug (optional with GASKET, FM-GPW-6734).....	1	
				GASKET, engine oil pan drain plug (optional with GASKET, FM-B-12410) (also in GASKET SET, FM-GPW-18512, WO-A-01538 and FM-GPW-18390, WO-A-1536)	1	.0037
				GASKET SET, engine oil pan (also in GASKET SET, FM-GPW-18390, WO-A-1536)	1	.293
				(Consists of:		
				1 GASKET, oil strainer float support		
				1 GASKET, oil pan		
				1 GASKET, oil pan drain plug)		

01-1, 3	3320-GPW-6675	FM-GPW-6675	WO-A-1167	PAN, oil, engine, assembly (superseded by PAN, FM-GPW-6675, WO-A-7238)	1	2.79
01-3		FM-355403-S2	WO-A-7238	PAN, oil, engine, assembly (supersedes PAN, WO-A-1167)	1	.0083
01-3	G503-0340661	FM-GPW-6727	WO-639979	BOLT, hex-hd., S, 5/16-18NC-2 x 1 1/16 (w/lock WASHER)	20	.093
				PLUG, drain, engine oil pan (7/8 in.)	1	



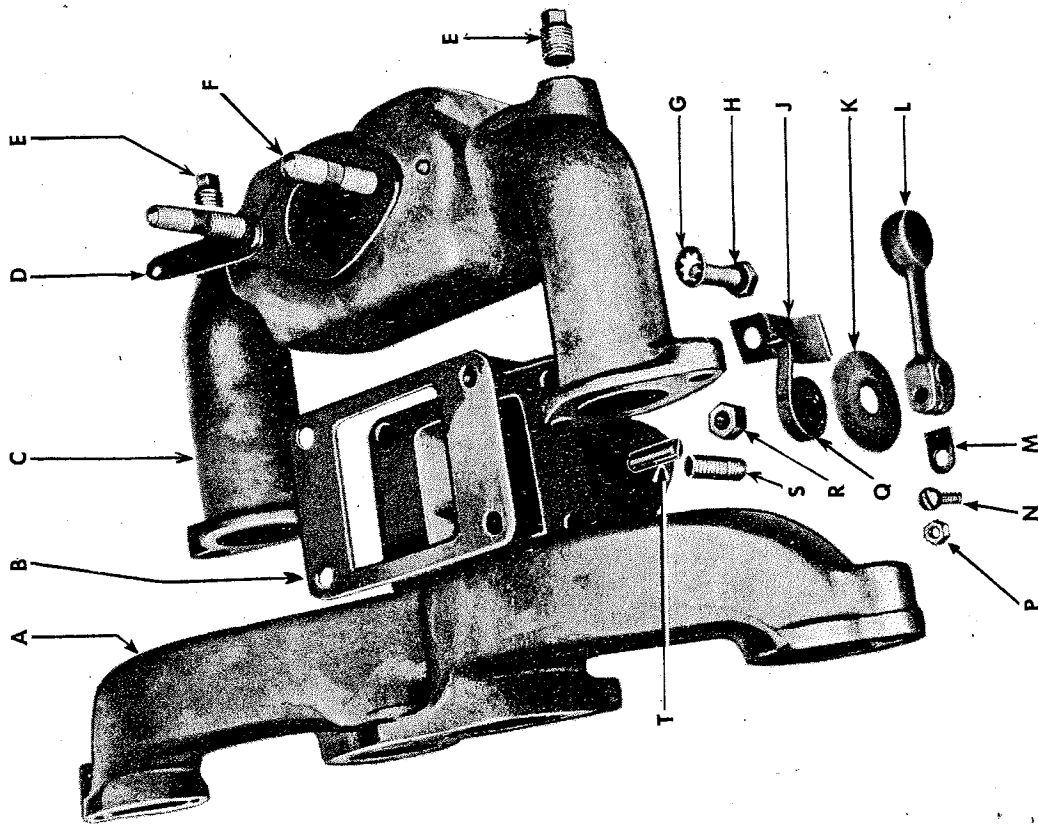
Key	Part Name	Ford Part No.	Willlys Part No.	Group No.
A	SCREW	FM-31079-S	WO-51819	0107
B	WASHER	FM-34804-S2	WO-51969	0107
C	PLUG	FM-353052-S5	WO-52525	0107
D	COVER, assembly	FM-GPW-6664	WO-630387	0107
E	PINION	FM-GPW-6614	WO-343306	0107
F	DISK	FM-GPW-6673	WO-636600	0107
G	SHAFT, assembly	FM-GPW-6608	WO-636599	0107
H	GASKET	FM-GPW-6625	WO-375927	0107
J	GASKET	FM-GPW-6659	WO-639870	0107
K	GASKET	FM-GPW-6630	WO-630394	0107
L	PIN	FM-GPW-6684	WO-330964	0107
M	GEAR	FM-GPW-6610	WO-637425	0107
N	BODY	FM-GPW-6604	WO-630384	0107
P	RETAINER	FM-GPW-6644	WO-630390	0107
Q	GASKET	FM-GPW-6642	WO-634813	0107
R	SHIM	FM-GPW-6628	WO-630389	0107
S	SPRING	FM-GPW-6654	WO-356155	0107
T	PLUNGER	FM-GPW-6663	WO-630518	0107

FIGURE 01-10—OIL PUMP ASSEMBLY—EXPLODED VIEW

GROUP 01 - ENGINE (Cont'd)

Figure Number	Official Stock Number	Piece Mark or Part Number		ITEM	Quant. Req'd. per Unit Assy.	Unit Price
		Ford No.	Willlys No.			
Col. 1	Col. 2	Col. 3	Col. 4	Col. 5	Col. 6	Col. 7
01-3, 4	G503-7036578 H001-0811055 3320-GPW-6627	FM-GPW-6615 FM-72089-S FM-GPW-6627	WO-630396 WO-5134 WO-630398	0107A-1-OIL FLOAT FLOAT, oil strainer, engine, assembly (TSE-215-B) PIN, cotter, split, S, 1/8 x 1 3/4 GASKET, engine oil strainer float support (also in GASKET SET, FM-GPW-18512, WO-A-1538 and FM-GPW-18390, WO-A-1536) SUPPORT, engine oil strainer float BOLT, hex-hd., 5/16-18NC-2 x 3/4 WASHER, lock, S, cd-pitd., SAE std., 5/16 in.	1 1 1 1 2 2	.391 .136 .0125
01-3, 4	3320-GPW-6617 H001-5419140 H001-7025711	FM-GPW-6617 FM-355396-S FM-34806-S7	WO-630397 WO-636796 WO-51833		1 1 2	.136 .0125
01-12		FM-GPW-18663	WO-A-1247	0107E-OIL FILTER BRACKET, mounting, engine oil filter, assembly	1	.472
01-12		FM-GPW-18644-A FM-GPW-18687	WO-A-6818 WO-A-1251	CASE, engine oil filter, assembly CLAMP, engine oil filter, assembly COVER, engine oil filter, assembly (superseded by COVER, assembly, FM-GPW-18687-A, WO-A-1231)	1 1 2	
01-12	G148-0140138	FM-GPW-18687-A	WO-A-1231	COVER, engine oil filter, assembly (PU-25791) (supersedes COVER, assembly, FM-GPW-18687)	1	.961
01-12		FM-GPW-18691 FM-GPW-18691-A FM-GPW-18662-A	WO-A-1232	BOLT, oil filter cover (superseded by BOLT, FM-GPW-18691-A, WO-A-1232) BOLT, hex-hd., S, 1/16-20NF-2 (PU-25755) (supersedes BOLT, FM-GPW-18691) ELEMENT, engine oil filter, assembly (superseded by ELEMENT, assembly, FM-GPW-18662-B, WO-A-1236)	1 1 1	.097
01-12	H017-0540462	FM-GPW-18662-B	WO-A-1236	ELEMENT, engine oil filter, assembly (superseded by ELEMENT, assembly, FM-GPW-18662-A)	1	.815
01-2	H017-0540501 H017-0540501	FM-GPW-18660	WO-A-1230	FILTER, oil, engine, assembly (superseded by FILTER, assembly FM-GPW-18660-A, WO-A-1230)	1	2.95
01-2	H017-0540501	FM-GPW-18660-A	WO-A-1230	FILTER, oil, engine assembly (PU-27078) (supersedes FILTER, assembly, FM-GPW-18660)	1	
01-2	H001-7025711 H001-7043711	FM-24347-S2 FM-34806-S7 FM-34746-S7 FM-GPW-18688	WO-51396 WO-51833 WO-A-1533	BOLT, hex-hd., S, 5/16-24NF-2 x 3/4 WASHER, lock, S, cd-pitd., SAE std., 5/16 in. WASHER, plain, S, cd-pitd., SAE std., 5/16 in. GASKET, engine oil filter cover (superseded by GASKET, FM-GPW-18688-A, WO-A-1235)	4 4 4	
01-12	G503-0194033	FM-GPW-18688-A FM-GPW-18675	WO-A-1235	GASKET, engine oil filter cover (PU-25802) (supersedes GASKET, FM-GPW-18688) GASKET, engine oil filter cover bolt (PU-25756) (superseded by GASKET, FM-GPW-18675-A, WO-A-1233)	1 1	.0223

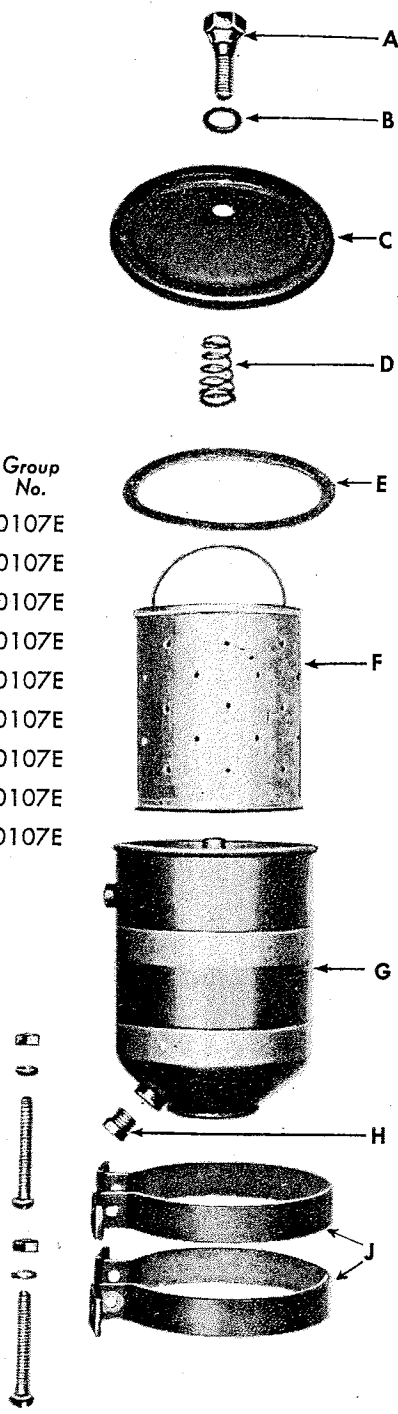
01-12	G116-1593934	FM-GPW-18675-A	WO-A-1233	GASKET, engine oil filter cover bolt (PU-25756) (supersedes GASKET, FM-GPW-18675)	1	.0036	
01-12	G148-0340604	FM-GPW-13434-A FM-358040-S FM-GPW-18685	WO-345961 WO-A-1237	GROMMET, engine oil filter bracket PLUG, drain, engine oil filter (S, $\frac{3}{16}$ in. hex., $\frac{1}{4}$ -18NPT) (PU-25795) SPRING, engine oil filter cover bolt (superseded by SPRING, FM-GPW-18685-A, WO-A-1234)	1 1 1	.0212 .0425	
01-12	G148-0389795-A	FM-GPW-18685-A	WO-A-1234	SPRING, engine oil filter cover bolt (S-wire, tapered, I.D. $\frac{13}{16}$ to $\frac{1}{8}$) (PU-25757) (supersedes SPRING, FM-GPW-18685)	1	.0331	
0107G—OIL FILLER							
01-3	3320-GPW-6763-A G503-0407837 3320-GPW-6763-C	FM-GPW-6770 FM-GPW-6772 FM-GPW-6771 FM-GPW-6763-A FM-GPW-6763-B FM-GPW-6763-C	WO-A-5105 WO-53108 WO-A-6918 WO-639555 WO-A-5165 WO-A-6915	BRACKET, support, engine oil filler tube CLAMP, engine crankcase ventilator hose to oil filler tube HOSE, flexible, engine crankcase ventilator to oil filler tube ($\frac{3}{4}$ O.D. x $\frac{1}{2}$ I.D. x $3\frac{3}{4}$) TUBE, engine oil filler (straight type) TUBE, engine oil filler, assembly (funnel type) TUBE, engine oil filler, assembly (with ventilator tube connection)	1 2 1 1 1 1	.027 .0135 .0406 .798	
01-3	3320-GPW-6789 G503-0132455 3320-GPW-6766-C	FM-GPW-6789 FM-GPW-6766-B FM-GPW-6766-C	WO-A-7280 WO-A-5168 WO-A-6525	0107H—LEVEL INDICATOR (GAGE) GASKET, engine oil filler cap INDICATOR, engine oil level, w/filler CAP, assembly (for TUBE FM-GPW-6763-B) INDICATOR, engine oil level, w/filler CAP, assembly (for TUBE FM-GPW-6763-C)	1 1 1	.44	
01-3	3320-9N-18679 3320-9N-18686 G503-0217815 G503-0217816 3320-GPW-9316 3320-GPW-9323	FM-9N-18679 FM-9N-18686 FM-GPW-18667 FM-GPW-18666 FM-GPW-9316 FM-GPW-9323	WO-387891 WO-384569 WO-A-1197 WO-A-1198 WO-A-1450 WO-A-1456	0107J—OIL DISTRIBUTION SYSTEM CONNECTOR, inverted flared tube, br., $\frac{1}{4}$ in., $\frac{1}{8}$ in. male pipe end (tube to oil filter) ELBOW, inverted flared tube, br., $\frac{1}{4}$ in., $\frac{1}{8}$ in. male pipe end (1 used flexible connection to engine; 1 used tube to cylinder block) TUBE, engine oil filter inlet, assembly TUBE, flexible (1 used oil filter outlet; 1 used oil gage tube) TUBE, oil gage, assembly ($\frac{1}{4}$ in. O.D.) UNION, inverted flared tube, br., $\frac{1}{4}$ in. (flexible connection to tube assembly)	1 2 1 2 1 1	.0258 .0425 .456 .31 .143 .0253	
01-3, 9	3320-GPW-6762 3320-GPW-6758	FM-GPW-6762 FM-GPW-6758	WO-630298	0107N—CRANKCASE VENTILATOR BAFFLE, engine crankcase ventilator BODY, engine crankcase ventilator (superseded by BODY, FM-GPW-6758-A, WO-A-1061)	1 1	.0419	
01-3, 9	3320-GPW-6758-A	FM-GPW-6758-A	WO-A-1061	BODY, engine crankcase ventilator, assembly (supersedes BODY, FM-GPW-6758) (superseded by BODY, FM-GPW-6758-B, WO-A-6919)	1	.152	
01-9	3320-GPW-6758-B	FM-GPW-6758-B	WO-A-6919	BODY, engine crankcase ventilator, assembly (used with valve, tube and fittings shown in this group) (supersedes BODY, FM-GPW-6758-A, WO-A-1061)	1	.0446	
01-9	3320-GPW-9268	FM-GPW-9268	WO-384549	ELBOW, inverted flared tube, $\frac{3}{16}$ in., $\frac{1}{8}$ in. male pipe end (engine crankcase ventilator to tube)	1	.065	
01-9	3320-GPW-6722	FM-GPW-6722	WO-A-6885	ELBOW, inverted flared tube, $\frac{5}{16}$ in., $\frac{1}{4}$ in. male pipe end (engine crankcase ventilator tube to valve)	1		



Key	Part Name	Ford Part No.	Willlys Part No.	Group No.
A	MANIFOLD, assembly	FM-GPW-9426	WO-A-912	0108
B	GASKET	FM-GPW-9435	WO-634811	0108
C	MANIFOLD, assembly	FM-GPW-9424-B	WO-A-1166	0108
D	CLIP	FM-GPW-9751	WO-A-1173	0303
E	PLUG	FM-353055-S	WO-5138	0108
F	STUD	FM-88057-S7	WO-632159	0108 0301A
G	WASHER	FM-34906-S	WO-52428	0108
H	BOLT	FM-20386-S7	WO-51486	0108
J	STOP	FM-GPW-9463	WO-639743	0108C
K	WASHER	FM-GPW-9484	WO-637209	0108C
L	LEVER	FM-GPW-9458	WO-637210	0108C
M	KEY	FM-GPW-9465	WO-637211	0108C
N	SCREW	FM-355160-S2	WO-5272	0108C
P	NUT	FM-355836-S7	WO-A-1701	0108C
Q	SPRING	FM-GPW-9467-A	WO-637208	0108C
R	NUT	FM-33800-S7	WO-52542	0402
S	STUD	FM-88032-S7	WO-332515	0402
T	SHAFT	FM-GPW-9456	WO-637206	0108C

FIGURE 01-11—MANIFOLD ASSEMBLY—EXPLODED VIEW

Key	Part Name	Ford Part No.	Willys Part No.	Group No.
A	BOLT	FM-GPW-18691-A	WO-A-1232	0107E
B	GASKET	FM-GPW-18675-A	WO-A-1233	0107E
C	COVER	FM-GPW-18687-A	WO-A-1231	0107E
D	SPRING	FM-GPW-18685-A	WO-A-1234	0107E
E	GASKET	FM-GPW-18688-A	WO-A-1235	0107E
F	ELEMENT, assembly	FM-GPW-18662-B	WO-A-1236	0107E
G	CASE, assembly		WO-A-6818	0107E
H	PLUG	FM-358040-S	WO-A-1237	0107E
J	CLAMP, w/BOLT and NUT	FM-GPW-18644-A	WO-A-1251	0107E



RA PD 342264

FIGURE 01-12—OIL FILTER ASSEMBLY—EXPLODED VIEW

GROUP 01-ENGINE (Cont'd)

Figure Number	Official Stock Number	Piece Mark or Part Number		ITEM	Quant. Req'd. per Unit Assy.	Unit Price
		Ford No.	Willlys No.			
Col. 1	Col. 2	Col. 3	Col. 4	Col. 5	Col. 6	Col. 7
0107N—CRANKCASE VENTILATOR (Cont'd)						
01-9	3320-GPW-6648	FM-GPW-6648	WO-630299	GASKET, engine crankcase ventilator to valve spring cover (also in GASKET SETS, FM-GPW-18390, WO-A-1536, FM-GPW-18380, WO-A-6750)	1	
01-1, 9	3320-GPW-6756	FM-GPW-6756	WO-A-6922	TUBE, engine crankcase ventilator valve, assembly	1	.14
01-9	3320-GPW-6769	FM-GPW-6769	WO-A-6895	VALVE, engine crankcase ventilator, assembly	1	.538
0108—INTAKE AND EXHAUST MANIFOLDS						
01-11	G503-0194021	FM-GPW-9448	WO-638640	GASKET, engine intake and exhaust manifold (also in GASKET SET, FM-GPW-18323, WO-A-7835 and FM-GPW-18387, WO-A-1537)	1	
01-11	3320-GPW-9435	FM-GPW-9435	WO-634811	GASKET, engine intake to exhaust manifold (also in GASKET SET, FM-GPW-18323, WO-A-7835, and FM-GPW-18387, WO-A-1537)	1	
01-11	G503-0194027	FM-GPW-18323	WO-A-7835	GASKET SET, engine manifold (Consists of: 1 GASKET, exhaust pipe flange 1 GASKET, intake and exhaust manifold 1 GASKET, intake to exhaust manifold MANIFOLD, engine intake and exhaust, assembly MANIFOLD, exhaust, engine, assembly (superseded by MANIFOLD, FM-GPW-9426, WO-A-912) MANIFOLD, exhaust, engine, w/HEAT CONTROL, assembly (supersedes MANIFOLD, FM-GPW-9428) MANIFOLD, intake, engine, assembly (superseded by MANIFOLD, FM-GPW-9424-B, WO-A-1166) MANIFOLD, intake, engine, assembly (supersedes MANIFOLD, FM-GPW-9424) BOLT, hex-hd., S, cd-pltd., 5/16-18NC-2 x 1 (intake to exhaust manifold) NUT, hex., reg., S, cd-pltd., 3/8-24NF-2 STUD, S, 3/8-16NC x 1 1/8 x 3/8-24NF-2 STUD, S, cd-pltd., 3/8-16NC x 1 1/8 x 3/8-24NF-2 STUD, S, 3/8-16NC x 1 1/2 x 3/8-24NF-2 WASHER, special, S, 1/16 O.D. x 1 3/8 I.D. x 1/8 to 3/16 thk. at I.D. WASHER, lock, S, internal tooth, flat type, 3/16 in. PLUG, engine intake manifold (pipe, sq-hd., black, 1/4 in.)	1	.0614
01-1, 3, 4, 11	3320-GPW-9426	FM-GPW-9426	WO-A-912	MANIFOLD, exhaust, engine, w/HEAT CONTROL, assembly (supersedes MANIFOLD, FM-GPW-9428)	1	6.68
01-1, 3, 10	3320-GPW-9424	FM-GPW-9424	WO-A-1166	MANIFOLD, intake, engine, assembly (superseded by MANIFOLD, FM-GPW-9424-B, WO-A-1166)	1	4.871
01-11	3320-GPW-9424-B	FM-GPW-9424-B	WO-A-1166	MANIFOLD, intake, engine, assembly (supersedes MANIFOLD, FM-GPW-9424)	4	
01-11	FM-20386-S7	FM-20386-S7	WO-51486	BOLT, hex-hd., S, cd-pltd., 5/16-18NC-2 x 1 (intake to exhaust manifold)	7	.01
01-11	G518-7001420	FM-33800-S7	WO-52542	NUT, hex., reg., S, cd-pltd., 3/8-24NF-2	2	.0092
01-5	H101-0103190	FM-88082-S	WO-349712	STUD, S, 3/8-16NC x 1 1/8 x 3/8-24NF-2	2	.0167
01-5	FM-88057-S7	FM-88057-S7	WO-632159	STUD, S, cd-pltd., 3/8-16NC x 1 1/8 x 3/8-24NF-2	2	.016
01-5	FM-88042-S	FM-88042-S	WO-300143	STUD, S, 3/8-16NC x 1 1/2 x 3/8-24NF-2	2	.016
01-11	3320-GPW-9443	FM-GPW-9443	WO-344732	WASHER, special, S, 1/16 O.D. x 1 3/8 I.D. x 1/8 to 3/16 thk. at I.D.	4	.0142
01-11	H001-1519010	FM-34906-S	WO-52428	WASHER, lock, S, internal tooth, flat type, 3/16 in.	4	
01-11	FM-353055-S	FM-353055-S	WO-5138	PLUG, engine intake manifold (pipe, sq-hd., black, 1/4 in.)	2	
01-11	3320-GPW-9462	FM-GPW-9462	WO-636438	BEARING, engine heat control valve shaft	1	
0108C—HEAT CONTROL						

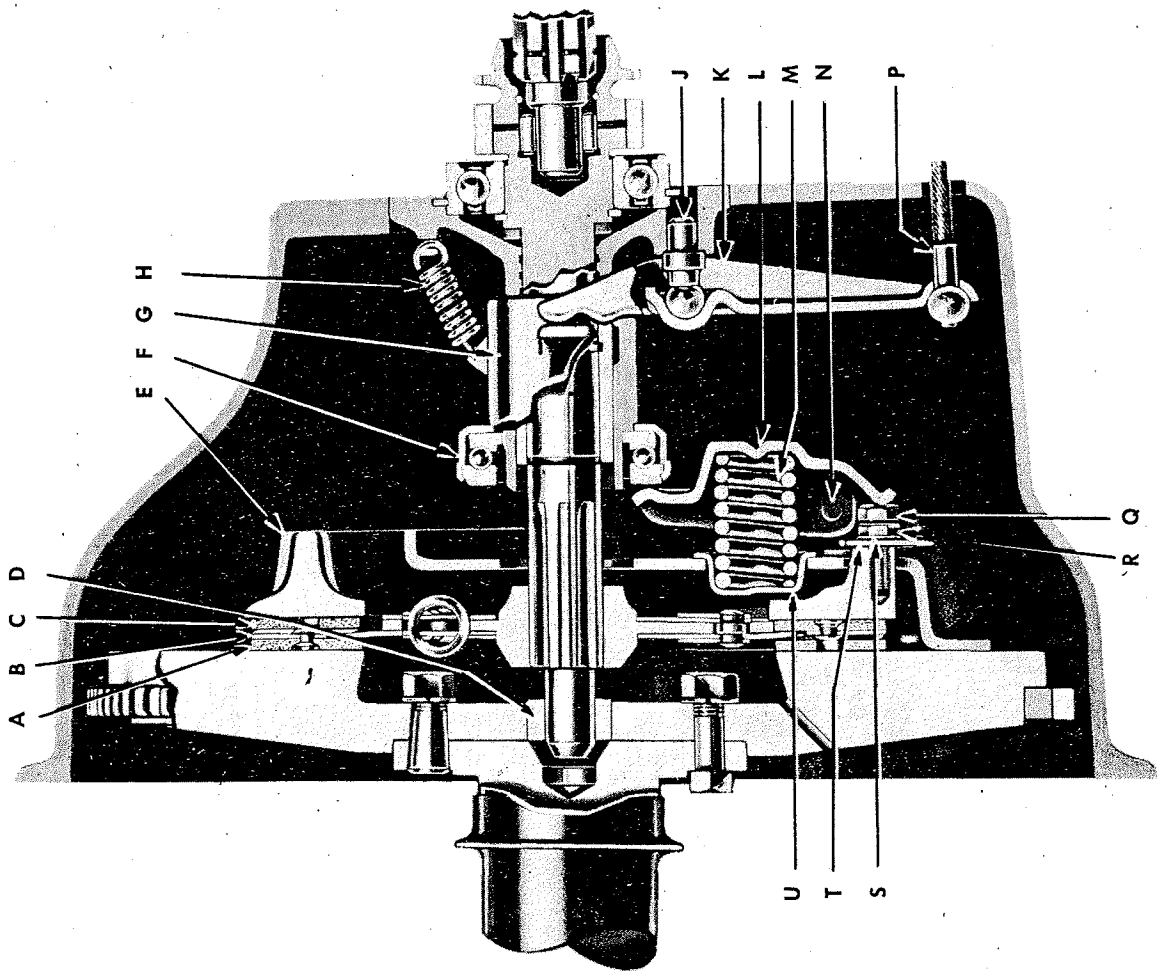
01-11	3320-GPW-9465	FM-GPW-9465	WO-637211	KEY, engine heat control valve lever	1	.127
01-11	3320-GPW-9458	FM-GPW-9458	WO-637210	LEVER, coun' erweight, engine heat control valve	1	
01-11	3320-GPW-9456	FM-355836-S7	WO-A-1701	NUT, hex., reg., S, cd-pltd., No. 10 (0.190)-24NC-2	1	
01-11	3320-GPW-9467	FM-355160-S2	WO-5272	SCREW, rd-hd., mach., S, No. 10 (0.190)-24NC-2 x 3/4	1	.212
01-11	3320-GPW-9467	FM-GPW-9456	WO-637206	SHAFT, engine heat control valve	1	
01-11	3320-GPW-9467	FM-GPW-9467	WO-637208	SPRING, engine heat control valve (superseded by SPRING, FM-GPW-9467-A, WO-637208)	1	.119
01-11	3320-GPW-9463	FM-GPW-9463	WO-639743	STOP, engine heat control valve (supersedes SPRING, FM-GPW-9467)	1	
01-3	3320-GPW-9460	FM-GPW-9460	WO-636439	VALVE, engine heat control	1	.0782
01-11	3320-GPW-9484	FM-GPW-9484	WO-637209	WASHER, engine heat control valve spring (S, special, 1 1/2 O.D. x 0.310 I.D. x 1/8 thk. at opening)	1	.0049
0109—FLYWHEEL						
01-6	3320-GPW-6375	FM-GPW-6375	WO-A-1443	FLYWHEEL, engine	1	4.89
01-6	3320-GPW-6390	FM-355497-S	WO-632157	BOLT, hex-hd., S, 3/8-24NF-2 x 1 1/2	4	.0125
		FM-GPW-6390	WO-116295	BOLT, special head, S, 1/2-20NF-2 x 1 1/16 (Note 1)	2	.0769
		FM-33929-S2	WO-52804	NUT, jam, hex., S, 1/2-20NF-2 (Note 1)	2	
		FM-33800-S7	WO-52542	NUT, reg., hex., S, cd-pltd., 3/8-24NF-2	4	
		FM-34907-S7	WO-53135	WASHER, lock, S, cd-pltd., internal tooth, flat type, 3/8 in.	4	
		FM-34909-S2	WO-52330	WASHER, lock, S, internal tooth, flat type, 1/2 in. (Note 1)	2	
		FM-GPW-18289	WO-A-7503	FLYWHEEL, engine, group assembly	1	
				(Consists of:		
			WO-116295	2 BOLT, special hd., S, 1/2-20NF-2 x 1 1/16		
			WO-A-1443	1 FLYWHEEL		
			WO-52804	2 NUT, jam, hex., S, 1/2-20NF-2		
			WO-52330	2 WASHER, lock, S, internal tooth, flat type, 1/2 in.)		
				NOTE: Parts numbered FM-GPW-6390, WO-116295; FM-33929-S, WO-52804; and FM-34909-S2, WO-52330, are required for straight doweling of flywheel to crankshaft. Eliminates need of special tapered reamer.		
	3320-GPW-6387	FM-GPW-6387	WO-632156	PIN, dowel, flywheel to crankshaft (tapered)	2	
01-4	3320-GPW-6384	FM-GPW-6384	WO-635394	GEAR, ring, engine flywheel (S, 97 teeth, 10.980 I.D. x 12.185 O.D. x 3/8 wide)	1	.863
01-1, 5	3320-GPW-6392	FM-GPW-6392	WO-A-439	HOUSING, engine flywheel (includes starting motor bushing)	1	7.852
		FM-24409-S7	WO-6606	BOLT, hex-hd., S, cd-pltd., 3/8-24NF-2 x 1 1/8	4	
		FM-24489-S	WO-52379	BOLT, hex-hd., S, 3/8-24NF-2 x 1 5/8	2	
		FM-355597-S	WO-630101	BOLT, hex-hd., S, 3/8-24NF-2 x 2 1/8 (dowel bolt)	2	.0167
	G518-7001420	FM-33800-S7	WO-52542	NUT, reg., hex., S, cd-pltd., 3/8-24NF-2	8	
	H001-1518009	FM-34807-S2	WO-5010	WASHER, lock, S, SAE std., 3/8 in.	8	
01-4, 5		FM-GPW-7007	WO-A-5121	PLATE, engine cylinder block to flywheel housing	1	1.043

Note 1—Also available with FLYWHEEL, group assembly, FM-GPW-18289, WO-A-7503 and CRANKSHAFT, group assembly, FM-GPW-18288, WO-A-7568.

GROUP 01—ENGINE (Cont'd)

Figure Number	Official Stock Number	Piece Mark or Part Number		ITEM	Quant. Reqd. per Unit Assy.	Unit Price
		Ford No.	Willys No.			
Col. 1	Col. 2	Col. 3	Col. 4	Col. 5	Col. 6	Col. 7
01-1, 5	3320-GPW-6043	FM-GPW-6043	WO-A-146	0110—MOUNTINGS BRACKET, mounting, engine, rear BOLT, hex-hd., S., $\frac{3}{8}$ -16NC-2 x $\frac{5}{8}$ BOLT, hex-hd., S., $\frac{3}{8}$ -16NC-2 x $\frac{3}{4}$ (GM-100133) WASHER, lock, S., SAE std., $\frac{3}{8}$ in. BRACKET, reinforcement, engine front support, L.H. (Note 1) BRACKET, reinforcement, engine front support, R.H. (Note 1) CABLE, engine stay, assembly NUT, reg, hex., S., cd-pltd., $\frac{3}{8}$ -24NF-2 NUT, hex., S., stamped, std. type, $\frac{3}{8}$ -24NF-2 (Willys only) WASHER, lock, S., SAE std., $\frac{3}{8}$ in. WASHER, plain, S., cd-pltd., SAE std., $\frac{3}{8}$ in. INSULATOR, engine front support, assembly (superseded by INSULATOR, FM-GPW-6038-A, WO-A-7498) INSULATOR, engine front support, assembly (supersedes INSULATOR, FM-GPW-6038, WO-A-542) BOLT, hex-hd., S., cd-pltd., $\frac{5}{16}$ -24NF-2 x $1\frac{1}{4}$ (Ford only) BOLT, hex-hd., S., cd-pltd., $\frac{3}{16}$ -24NF-2 x 1 (Willys only) NUT, reg, hex., S., cd-pltd., $\frac{5}{16}$ -24NF-2 NUT, reg, hex., S., $\frac{1}{2}$ -20NF-2 (to front engine plate) WASHER, lock, S., cd-pltd., SAE std., $\frac{3}{8}$ in. WASHER, lock, S., SAE std., $\frac{1}{2}$ in. (to front engine plate) INSULATOR, engine rear support (superseded by INSULATOR, FM-GPW-6040-B, WO-A-6156) INSULATOR, engine rear support (supersedes INSULATOR, FM-GPW-6040-A) NUT, reg, hex., S., cd-pltd., $\frac{3}{8}$ -24NF-2 WASHER, lock, S., SAE std., $\frac{3}{8}$ in. WASHER, plain, S., cd-pltd., SAE, $\frac{3}{8}$ in. SHIM, engine front support insulator.	.212	
	H001-5420520	FM-24328-S2	WO-52189			
	H001-1518009	FM-24348-S	WO-6412			
		FM-34807-S2	WO-5010			
		FM-GPWS-6071				
		FM-GPW-6069				
		FM-GPW-6044	WO-A-5125			
		FM-33800-S7	WO-52542			
		FM-34807-S2	WO-52909			
		FM-34747-S7	WO-5010			
		FM-GPW-6038	WO-A-1680			
		FM-GPW-6038-A	WO-A-542			
		FM-GPW-6038-A	WO-A-7498			
		FM-24427-S7	WO-6609			
		FM-24387-S7	WO-5934			
01-5	G166-0314832	FM-33798-S7	WO-A-1532			
	H001-7025711	FM-33846-S2	WO-5916			
	H001-1518011	FM-34806-S7	WO-51833			
		FM-34809-S	WO-5009			
		FM-GPW-6040-A				
		FM-GPW-6040-B				
		FM-33800-S7	WO-A-6156			
		FM-34807-S2	WO-52542			
		FM-34747-S7	WO-5010			
		FM-GPW-6098	WO-A-1680			
02-1, 2		FM-GPW-7550	WO-636755	GROUP 02—CLUTCH 0201—CLUTCH DISK PLATE, disk, engine clutch, w/HUB, assembly (B&B-11123)	1	2.541
					as req.	.0251

Note 1—Only for vehicles modified by MWO ORD G503-W7.



Key	Part Name	Ford Part No.	Willis Part No.	Group No.
A	FACING	FM-GPW-7549	WO-371567	0201A
B	PLATE	FM-GPW-7550	WO-636755	0201
C	FACING	FM-GPW-7577	WO-636778	0201A
D	BUSHING	FM-GPW-7600	WO-639578	0205
E	PLATE	FM-GPW-7566	WO-638152	0202
F	BEARING	FM-74-7580-B	WO-635529	0203
G	CARRIER	FM-GPW-7561	WO-639654	0203
H	SPRING	FM-GPW-7562	WO-630117	0203
J	FULCRUM	FM-GPW-7516	WO-630068	0203
K	LEVER	FM-GPW-7515	WO-630112	0203
L	LEVER	FM-GPW-7591	WO-638158	0202
M	SPRING	FM-GPW-7572	WO-638993	0202
N	PIN	FM-GPW-7565	WO-638159	0202
P	CABLE	FM-GPW-7530	WO-A-5102	0203
Q	SCREW	FM-24325-S	WO-638154	0202
R	NUT	FM-33921-S7	WO-638155	0202
S	WASHER	FM-34745-S2	WO-638305	0202
T	SPRING	FM-GPW-7590	WO-638153	0202
U	CUP	FM-GPW-7567	WO-638157	0202

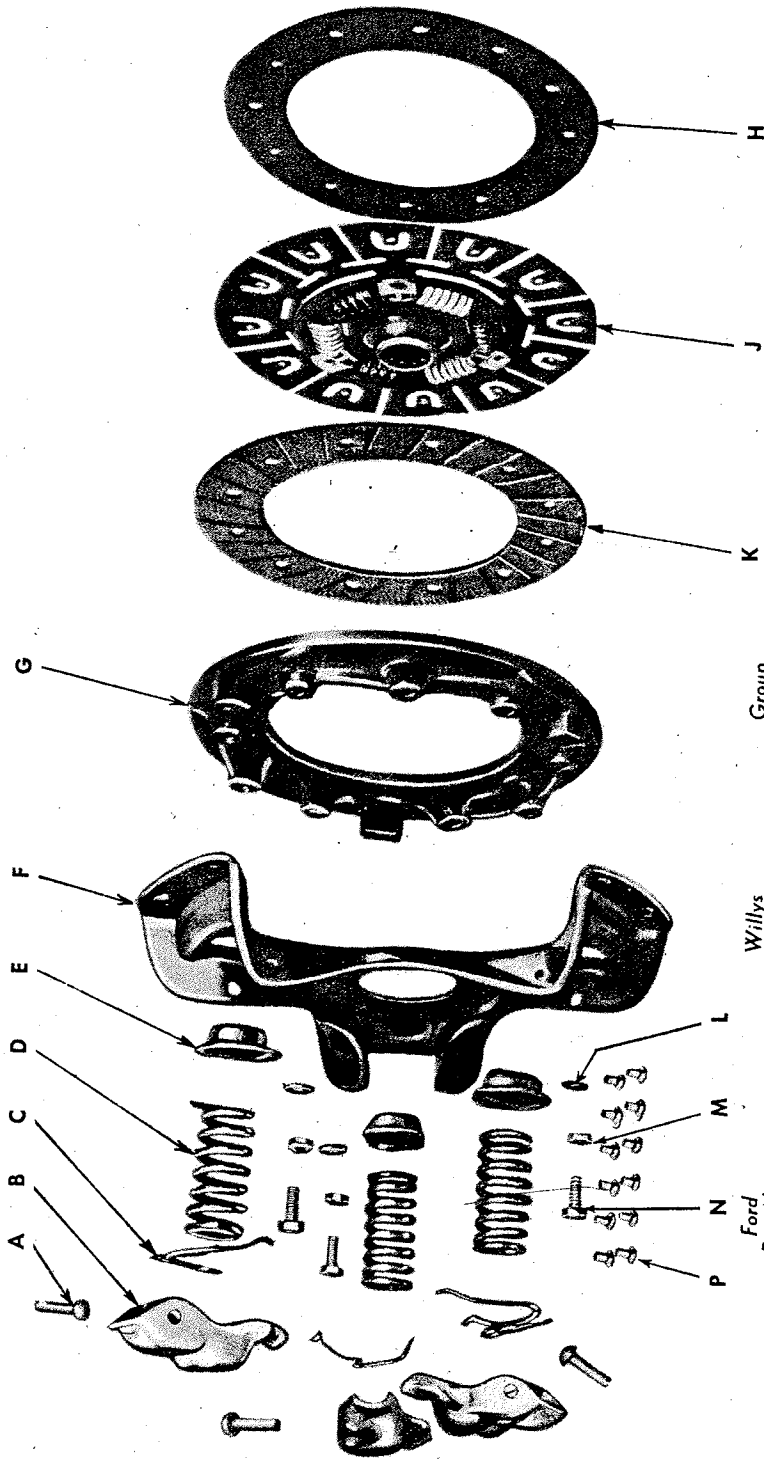
FIGURE 02-1—CLUTCH ASSEMBLY—SECTIONAL VIEW



As perplexing and strange as the Sphinx
Is Joe Dope's spare part storage - it (er) smells
Lots of parts, that's quite true
Ah, but find 'em - Can You?
He will soon say "We're short" so we think

Don't
be a
Dope!

HANDLE EQUIPMENT RIGHT!



Key	Part Name	Ford Part No.	Willlys Part No.	Group Number
A	PIN	FM-GPW-7565	WO-638159	0202
B	LEVER	FM-GPW-7591	WO-638158	0202
C	SPRING	FM-GPW-7590	WO-638153	0202
D	SPRING	FM-GPW-7572	WO-638993	0202
E	CUP	FM-GPW-7567	WO-638157	0202
F	COVER	FM-GPW-7570	WO-638151	0202
G	PLATE	FM-GPW-7566	WO-638152	0202
H	FACING	FM-GPW-7549	WO-371567	0201A
J	PLATE, assembly	FM-GPW-7550	WO-636755	0201
K	FACING	FM-GPW-7577	WO-636755	0201A
L	WASHER	FM-34745-S2	WO-638305	0202
M	NUT	FM-33921-S7	WO-638155	0202
N	SCREW	FM-24325-S	WO-638154	0202
P	RIVET	FM-351926-SA	WO-374681	0201A

FIGURE 02-2—CLUTCH PRESSURE PLATE AND DISK—EXPLODED VIEW

GROUP 02-CLUTCH (Cont'd)

Figure Number	Official Stock Number	Piece Mark or Part Number		ITEM	Quant. Reqd. per Unit Assy.	Unit Price
		Ford No.	Willys No.			
Col. 1	Col. 2	Col. 3	Col. 4	Col. 5	Col. 6	Col. 7
				0201A—FACINGS AND RIVETS		
01-1, 2	5960-C-5509	FM-GPW-7577	WO-636778	FACING, engine clutch, rear (B&B-4324) (also in FACING SET, FM-GPW-18358, WO-A-6751)	1	
01-1, 2	5960-C-5510	FM-GPW-7549	WO-371567	FACING, engine clutch, front (B&B-2940) (also in FACING SET, FM-GPW-18358, WO-A-6571)	1	
02-2	5960-CS-5509-A	FM-351926-SA FM-GPW-18358	WO-374681 WO-A-6751	RIVET, tubular, S, fl. ck-hd., 5/32 x 3/16	12	
		FM-GPW-7577 FM-GPW-7549 FM-351926-SA	WO-636778 WO-371567 WO-374681	FACING SET, engine clutch disk (Consists of: 1 FACING, engine clutch, rear 1 FACING, engine clutch, front 15 RIVET)	1	1.043
				0202—COVER AND PRESSURE PLATE		
02-2		FM-GPW-7570	WO-638151	COVER, engine clutch	1	
02-1, 2		FM-GPW-7567 FM-GPW-18359	WO-638157 WO-A-6752	CUP, engine clutch pressure spring KIT, repair, engine clutch cover (superseded by KIT, FM-GPW-18359-B, WO-A-7833)	3 1	
		FM-GPW-7567 FM-GPW-7591 FM-GPW-7565 FM-GPW-7572 FM-GPW-7590 FM-GPW-18359-B	WO-638157 WO-638158 WO-638159 WO-638993 WO-638153 WO-A-7833	(Consists of: 3 CUP, pressure spring 3 LEVER, pressure spring 3 PIN, pivot, lever 3 SPRING, pressure 3 SPRING, return, pressure plate)		
		FM-GPW-7567 FM-GPW-7591 FM-33921-S7 FM-GPW-7565 FM-24325-S FM-GPW-7572 FM-GPW-7590 FM-34745-S2 FM-GPW-7591 FM-33921-S7 FM-GPW-7565	WO-638157 WO-638158 WO-638155 WO-638159 WO-638154 WO-638993 WO-638153 WO-638305 WO-638158 WO-638155 WO-638159	KIT, repair, engine clutch cover (supersedes KIT, FM-GPW-18359, WO-A-6752) (Consists of: 3 CUP, pressure spring 3 LEVER, pressure spring 3 NUT, adjusting screw 3 PIN, pivot, lever 3 SCREW, adjusting 3 SPRING, pressure 3 SPRING, return, pressure plate 3 WASHER, adjusting screw) LEVER, engine clutch pressure spring NUT, lock, engine clutch lever adjusting screw (thin, hex., s-fin., S., cd-pltd., 1/4-28NF-2) PIN, pivot, engine clutch pressure spring lever	1	3.063
02-1, 2					3	
02-1, 2					3	
02-1, 2					3	

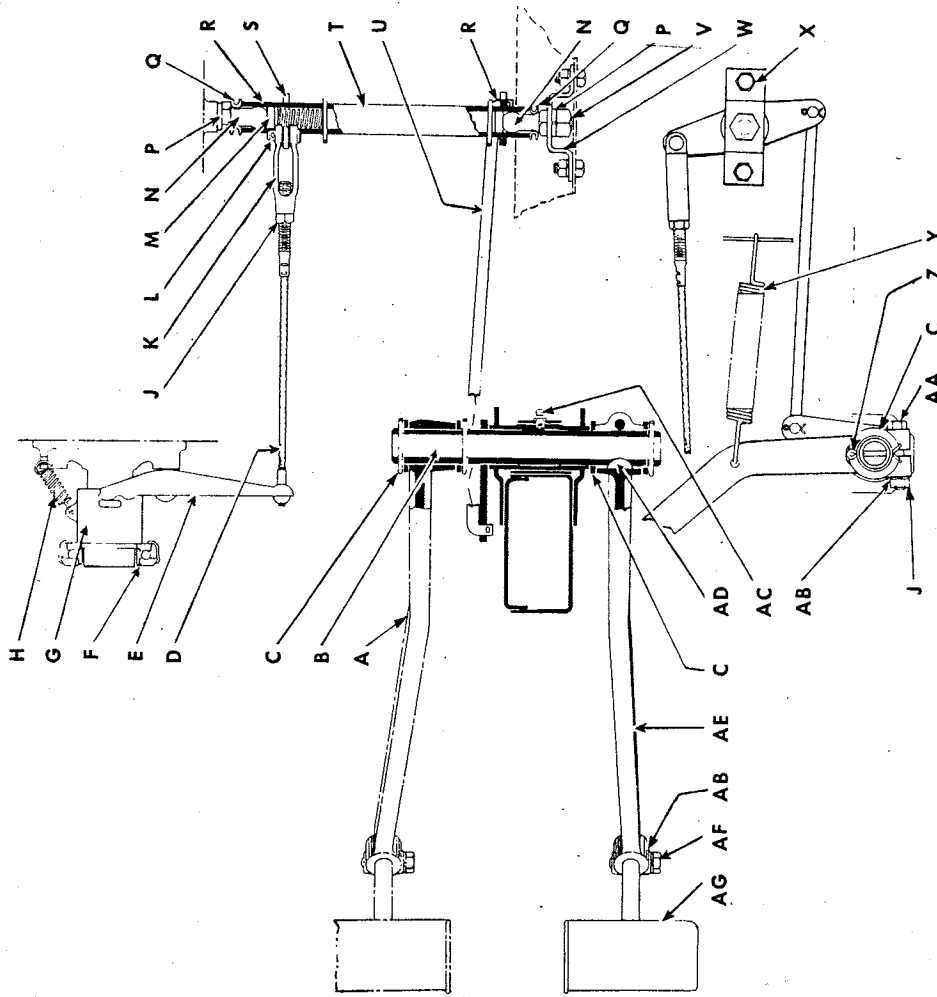
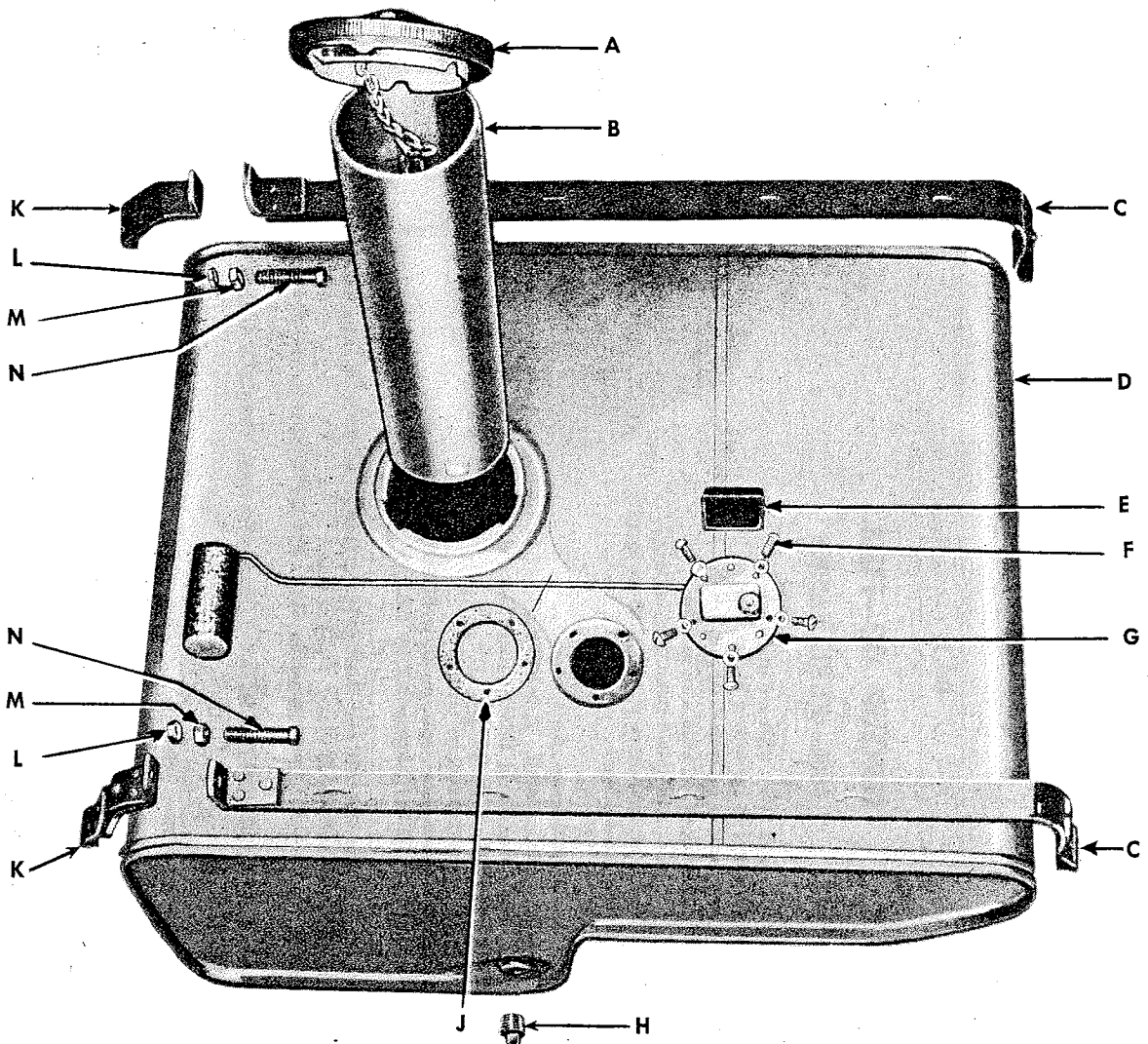


FIGURE 02-3—CLUTCH LINKAGE AND CONTROLS

Key	Part Name	Ford Part No.	Willlys Part No.	Group No.
A	PEDAL	FM-GPW-2452-B	WO-A-8253	1204
B	SHAFT	FM-GPW-2473	WO-A-495	1204
C	WASHER	FM-356561-S	WO-A-498	0204
D	CABLE	FM-GPW-7530	WO-A-5102	0203
E	LEVER	FM-GPW-7515	WO-630112	0203
F	BEARING	FM-74-7580-B	WO-635529	0203
G	CARRIER	FM-GPW-7561	WO-639654	0203
H	SPRING	FM-GPW-7562	WO-630117	0203
J	NUT	FM-33798-S7	WO-A-1532	0203
K	YOKE	FM-GPW-7532	WO-632177	0203
L	PIN	FM-73880-S	WO-339043	0203
M	RETAINER	FM-GPW-7517	WO-A-177	0204A
N	STUD	FM-GPW-7514	WO-A-181	0204A
P	WASHER	FM-34808-S2	WO-5059	0204A
Q	SEAL	FM-GPW-7512	WO-A-887	0204A
R	PAD	FM-GPW-7539	WO-A-176	0204A
S	SPRING	FM-GPW-7545	WO-A-178	0204A
T	LEVER, assembly	FM-GPW-7503	WO-A-1355	0204A
U	ROD	FM-GPW-7521	WO-A-499	0204A
V	NUT	FM-33801-S2	WO-5336	0204A
W	BRACKET	FM-GPW-7508	WO-A-180	0204
X	BOLT	FM-24327-S7	WO-52132	0204
Y	SPRING	FM-GPW-7523	WO-630593	0204
Z	PIN	FM-72063-S	WO-52944	0204
AA	BOLT	FM-24505-S7	WO-50992	0204
AB	WASHER	FM-34806-S2	WO-51833	0204
AC	FITTING	FM-353043-A-S7	WO-638792	0204
AD	KEY	FM-74178-S	WO-5036	0204
AE	PEDAL	FM-GPW-7520	WO-A-405	0204
AF	BOLT	FM-24426	WO-6157	0204
AG	PAD	FM-GPW-7525	WO-A-1360	0204

GROUP 02-CLUTCH (Cont'd)

Figure Number	Official Stock Number	Piece Mark or Part Number		ITEM	Quant. Reqd. per Unit Assy.	Unit Price
		Ford No.	Willlys No.			
Col. 1	Col. 2	Col. 3	Col. 4	Col. 5	Col. 6	Col. 7
02-3		FM-GPW-7525	WO-A-1360	0204-PEDAL (Cont'd) PAD, engine clutch pedal, assembly (superseded by PAD, FM-GPW-7525-A, WO-A-8440)	1	
02-3		FM-GPW-7525-A	WO-A-8440	PAD, engine clutch pedal, assembly (supersedes PAD, FM-GPW-7525, WO-A-1360)	1	
02-3, 18-1		FM-24426	WO-6157	BOLT, hex-hd., S., $\frac{5}{16}$ -18NC-2 x $\frac{1}{4}$	1	.0042
		FM-GPW-7520	WO-A-405	PEDAL, engine clutch (superseded by PEDAL, FM-GPW-7520-A, WO-A-10269)	1	2.541
		FM-GPW-7520-A	WO-A-10269	PEDAL, engine clutch (supersedes PEDAL, FM-GPW-7520, WO-A-405)	1	
02-3		FM-24505-S7	WO-50992	BOLT, hex-hd., S., cd-pltd., $\frac{5}{16}$ -24NF-2 x $1\frac{3}{4}$	1	
02-3		FM-74178-S	WO-5036	KEY, Woodruff No. 9	1	
02-3		FM-33798-S2	WO-5910	NUT, reg., hex., s-fin., S., $\frac{5}{16}$ -24NF-2 (GM-103025)	1	
02-3		FM-34806-S2	WO-51833	WASHER, lock, reg., S., $\frac{5}{16}$ in.	1	
02-3		FM-GPW-7523	WO-630593	SPRING, retracting, engine clutch pedal (5 $\frac{7}{8}$ in. free lgth., 40 coils)	1	.0544
02-3	G503-0389783	FM-356561-S	WO-A-498	WASHER, engine clutch pedal shaft (special, S., $1\frac{1}{2}$ O.D. x $1\frac{1}{8}$ I.D. x $\frac{1}{8}$ thk.)	3	.0167
02-3		FM-72063-S	WO-52944	PIN, cotter, split, S., $\frac{5}{32}$ x $1\frac{3}{8}$	3	
0204A-PEDAL LINKAGE						
02-3	3320-GPW-7503	FM-GPW-7503	WO-A-1355	LEVER, engine clutch control, w/TUBE, assembly	1	.717
02-3	3320-GPW-7539	FM-GPW-7539	WO-A-176	PAD, engine clutch control tube (felt, $\frac{5}{8}$ O.D. x $\frac{1}{4}$ thk.)	2	.0021
02-3	3320-GPW-7517	FM-GPW-7517	WO-A-177	RETAINER, engine clutch control tube spring (S., $\frac{19}{32}$ O.D. x $\frac{3}{8}$ thk.)	2	.0065
02-3		FM-GPW-7521	WO-A-499	ROD, engine clutch release lever	1	.163
		FM-72004-S	WO-5354	PIN, cotter, split, S., $\frac{3}{32}$ x $\frac{1}{2}$	2	
02-3	3320-GPW-7512	FM-GPW-7512	WO-A-887	SEAL, engine clutch control tube, dust (1 in. O.D.)	2	.0192
02-3	3320-GPW-7545	FM-GPW-7545	WO-A-178	SPRING, engine clutch control tube (S., $\frac{9}{16}$ O.D. x $1\frac{3}{4}$ free lgth.)	2	.014
02-3	3320-GPW-7514	FM-GPW-7514	WO-A-181	STUD, ball, engine clutch control (S., $\frac{1}{16}$ -14NC)	2	.0992
02-3	G134-0314564	FM-33801-S2	WO-5336	NUT, reg., hex., S., $\frac{1}{16}$ -14NC-2	2	
02-3	G085-2371520	FM-34808-S2	WO-5059	WASHER, lock, S., SAE std., $\frac{1}{16}$ in.	2	
02-1	3320-GPW-7600	FM-GPW-7600	WO-639578	0205-PILOT BEARING BUSHING, pilot, clutch shaft (in flywheel)	1	.0533



Key	Part Name	Ford Part No.	Willys Part No.	Group Number
A	CAP, assembly	FM-GPW-9030-B	WO-A-6333	0300
B	EXTENSION	FM-GPW-9034-A	WO-A-6424	0300
C	STRAP, assembly	FM-GPW-9095	WO-A-1472	0300
D	TANK, assembly	FM-GPW-9002-B	WO-A-6618	0300
E	PROTECTOR	FM-GPW-9211	WO-A-1763	0300A
F	SCREW, w/LOCK WASHER	FM-355095-S7	WO-5556	0300A
G	GAGE, assembly	FM-GPW-9275-A	WO-A-1292	0300A
H	PLUG	FM-353055-S7	WO-A-5120	0300
J	GASKET	FM-GPW-9276	WO-A-1293	0300A
K	STRAP, assembly	FM-GPW-9057	WO-A-1477	0300
L	NUT	Willys only	WO-52891	0300
M	NUT	FM-33798-S7	WO-A-1532	0300
N	BOLT	FM-24505-S7	WO-A-1483	0300

RA PD 342228

FIGURE 03-1—FUEL TANK ASSEMBLY AND RELATED PARTS

GROUP 03—FUEL

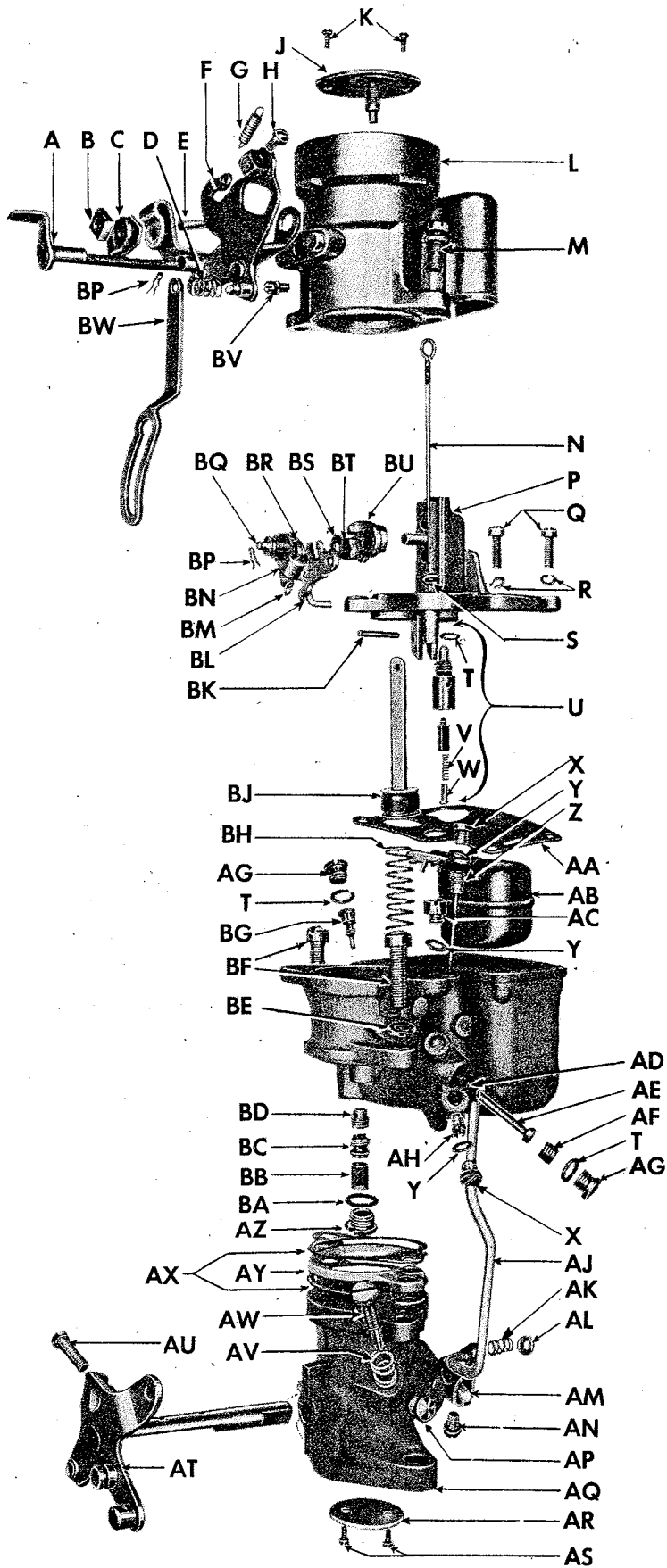
Figure Number	Official Stock Number	Piece Mark or Part Number		ITEM	Quant. Req'd. per Unit Assy.	Unit Price
		Ford No.	Willlys No.			
Col. 1	Col. 2	Col. 3	Col. 4	Col. 5	Col. 6	Col. 7
GROUP 03—FUEL						
0300—FUEL TANKS						
		FM-GPW-9069	WO-A-1738	ANTISQUEAK, fuel tank (1 in. wide x 6 in. long)	2	
		FM-GPW-9079	WO-A-1739	ANTISQUEAK, fuel tank (1 in. wide x 7 1/4 in. long)	2	
		FM-GPW-9075	WO-A-1740	ANTISQUEAK, fuel tank (1 in. wide x 9 1/2 in. long)	2	
		FM-GPW-9071	WO-A-1741	ANTISQUEAK, fuel tank (1 in. wide x 18 in. long)	2	
		FM-GPW-9078	WO-A-1480	ANTISQUEAK, fuel tank hold-down strap (3 1/4 in. long)	2	
		FM-GPW-9074	WO-A-1476	ANTISQUEAK, fuel tank hold-down strap (24.88 in. long)	2	
		FM-GPW-9063	WO-A-2954	BRACKET, fuel tank hold-down	2	
	H001-0924108	FM-62218-S	WO-51977	RIVET, rd-hd., S, 1/4 x 1/8	4	
		FM-GPW-9065	WO-A-2953	BRACKET, fuel tank hold-down, front, inner	1	
	H101-0121668	FM-20324-S2	WO-52168	BOLT, hex-hd., s-fin., alloy-S, 1/4-20NC-2 x 5/8 (GM-121668)	2	
	H001-0924006	FM-33795-S2	WO-52217	NUT, reg., hex., s-fin., S, 1/4-20NC-2 (GM-118613)	2	
	H001-1518007	FM-34805-S2	WO-52706	WASHER, lock, reg., S, 1/4 in.	2	
		FM-GPW-9062	WO-A-2952	BRACKET, fuel tank hold-down, rear, inner	1	
	G134-0131291	FM-GPW-9051	WO-A-2970	BRACKET, fuel tank hold-down, rear, inner, w/SUPPORT, assembly	1	
		FM-GPW-9030		CAP, fuel tank (2 7/8 in. O.D.) (superseded by CAP, FM-GPW-9030-A, WO-A-1254) (Note 1)	1	
	G134-0131291	FM-GPW-9030-A	WO-A-1254	CAP, fuel tank, w/safety CHAIN and BAR (2 7/8 in. O.D.) (AC-850042) (supersedes CAP, FM-GPW-9030) (Note 1)	1	
		FM-GPW-9030-B2		CAP, fuel tank (4 5/8 in. O.D.) (superseded by CAP, FM-GPW-9030-B, WO-A-6333) (Note 2)	1	
03-1	3320-GPW-9030-B	FM-GPW-9030-B	WO-A-6333	CAP, fuel tank, w/safety CHAIN (4 5/8 in. O.D.) (supersedes CAP, FM-GPW-9030-B2) (Note 2)	1	.57
		FM-GPW-1111322	WO-A-3055	CAP, fuel tank well drain	2	.0709
		FM-GPW-9066	WO-A-1481	CLAMP, fuel tank hold-down, assembly	1	
		FM-24505-S7	WO-A-1483	BOLT, hex-hd., s-fin., S, cd-pltd., 5/16-24NF-2 x 1 3/4	1	
	H001-4167560	FM-33798-S7	WO-A-1532	NUT, reg., hex., s-fin., S, cd-pltd., 5/16-24NF-2 (GM-103025)	1	
	H001-0726010	FM-34806-S7	WO-52891	NUT, hex., S, stamped, 5/16-24NF-2 (Willys only) (GM-147510)	1	
	H001-7025711	FM-GPW-9034-A	WO-51853	WASHER, lock, reg., S, cd-pltd., 5/16 in. (Ford only)	1	
		FM-GPW-9035-B	WO-A-6424	EXTENSION, fuel tank filler neck	1	
03-1		FM-GPW-1111323	WO-A-1275	GASKET, fuel tank cap (for CAP, FM-GPW-9030-A)	1	
		FM-353055-S7	WO-A-3056	NECK, fuel tank well drain hole	2	
	H006-0117243	FM-GPW-1140474	WO-A-5120	PLUG, pipe, 1/4 in. (fuel tank drain plug)	1	.0142
		FM-24308-S2	WO-A-2930	SHIELD, fuel tank, driver seat to rear floor	1	
	H101-0119860		WO-52170	BOLT, hex-hd., s-fin., alloy-S, 1/4-20NC-2 x 1 1/2 (GM-119860)	3	.0117

03-1	H001-1518007	FM-34129-S2 FM-34745-S FM-34805-S2 FM-GPW-9095 FM-GPW-9057 FM-24505-S7 FM-33798-S7 FM-52891 FM-34806-S7 FM-GPW-9002-A FM-GPW-9002-B	WO-52165 WO-52702 WO-52706 WO-A-1477 WO-A-1483 WO-A-1532 WO-52891 WO-51833 WO-A-1221 WO-A-6618	NUT, reg., hex., s-fin., S., 1/4-20NC-2 (GM-118643) WASHER, plain, S., 1/4 in. WASHER, lock, reg., S., 1/4 in. STRAP, hold-down, fuel tank, inner, assembly STRAP, hold-down, fuel tank, outer, assembly BOLT, hex-hd., s-fin., S., cd-pltd., 5/16-24NF-2 x 1 1/4 NUT, reg., hex., s-fin., S., cd-pltd., 5/16-24NF-2 (GM-103025) NUT, hex., S., stamped, 5/16-24NF-2 (Willys only) (GM-147510) WASHER, lock, reg., S., cd-pltd., 5/16 in. (Ford only) TANK, fuel, assembly (before Willys serial No. 174739) TANK, fuel, assembly (after Willys serial No. 174739) (superseded by TANK, assembly, FM-GPW-9002-C, WO-A-15507) (Note 3) TANK, fuel, w/EXTENSION and CAP, assembly (as required for replacement on Willys prior to serial No. 174739) TANK, fuel, w/STRAINER, assembly (supersedes TANK, assembly FM-GPW-9002-B, WO-A-6618) (Note 3) WELL, fuel tank drain, assembly (in front floor pan)	3 3 3 2 1 1 1 1 1 1 1 1 1 1	.0053
03-1	3320-GPW-9002-C	FM-GPW-9001 FM-GPW-9002-C FM-GPW-1111324	WO-A-6897- WO-A-15507 WO-A-3497	Willys prior to serial No. 174739 TANK, fuel, w/STRAINER, assembly (supersedes TANK, assembly FM-GPW-9002-B, WO-A-6618) (Note 3) WELL, fuel tank drain, assembly (in front floor pan)	1 1 1	
03-1	G503-0194025	FM-GPW-9276 FM-GPW-9275	WO-A-1293	GASKET, fuel tank gage (cork) (2 5/8 O.D. x 1 5/8 I.D. x 1/8 thk.) GAGE, fuel, tank unit, assembly (superseded by GAGE, FM-GPW-9275-A, WO-A-1292)	1	.0065
03-1, 06-12	G503-0194063	FM-GPW-9275-A	WO-A-1292	GAGE, fuel, tank unit, assembly (AL-9979-A) (supersedes GAGE, FM-GPW-9275)	1	.505
03-1		FM-355095-S7 FM-GPW-9211	WO-5556 WO-A-1763	SCREW, mach., rd-hd., S., cd-pltd., w/lock WASHER, No. 8 (0.164)-32NC-2 x 5/8 PROTECTOR, fuel gage, tank unit	1 5 1	.0042 .0386
03-2	1500-53A-168S	FM-GPW-9528	WO-116181	ARM, carburetor pump, w/COLLAR, assembly (CAR-53A-168S)	1	.179
03-2	1500-114-21S	FM-GPW-9583	WO-116197	ARM, carburetor throttle shaft, w/SCREW, assembly (CAR-114-21S) (also in KIT, FM-GPW-18357-B, WO-A-6840)	1	
03-2	G503-0131592	FM-31588-S7	WO-52290	SCREW, mach., fil-hd., S., cd-pltd., No. 10 (0.190)-32NF-2 x 5/8	1	
03-2	1500-122-64S	FM-GPW-9510 FM-GPW-9576	WO-A-1223 WO-116205	CARBURETOR, assembly (CAR-539S) 7 CHECK, carburetor fuel intake, assembly (CAR-122-64S) (also in KIT, FM-GPW-18357-B, WO-A-1541)	1 1	8.21
03-2	1500-122-47S	FM-GPW-9594	WO-116204	CHECK, carburetor pump discharge, assembly (CAR-122-47S) (also in KIT, FM-GPW-18357-B, WO-A-6840)	1	
03-2	1500-146-95S	FM-GPW-9595	WO-116587	CLAMP, carburetor tube (CAR-62-134)	1	.0731
03-2	H001-5125851	FM-GPW-9515 FM-31061-S8	WO-116208 WO-116213	COVER, carburetor bowl, w/PIN, assembly (CAR-146-95S) SCREW, mach., fil-hd., S., z-pltd., No. 8 (0.164)-32NC-2 x 1/2 (also in KIT, FM-GPW-18357-B, WO-A-6840)	1 1	.684
03-2	H001-1518004	FM-34802-S2	WO-6330	WASHER, lock, S., SAE std., No. 8 (0.164) (also in KIT, FM-GPW-18357-B, WO-A-6840)	2 2	

0300A—TANK GAGE UNIT

0301—CARBURETOR

Note 1—Used on TANK, FM-GPW-9002-A, WO-A-1221, FM-GPW-9001, WO-A-6897, Note 2—Used on TANK, FM-GPW-9002-B, WO-A-6618.
Note 3—TANK, FM-GPW-9002-C, WO-A-15507 is interchangeable with TANK, FM-GPW-9002-B, WO-A-6618 by using fuel TUBE, WO-A-15598 from fuel tank to fuel pump and ELBOW, FM-GPW-9269, WO-A-15596).



RA PD 342289

FIGURE 03-2—CARBURETOR ASSEMBLY—EXPLODED VIEW

Key	Part Name	Ford Part No.	Willys Part No.	Group No.
A	LEVER, assembly	FM-GPW-9546	WO-116545	0301
B	NUT	FM-355858-S	WO-116219	0301
C	CLAMP	FM-GPW-9595	WO-116587	0301
D	SPRING	FM-GPW-9587	WO-116189	0301
E	SCREW	FM-355132-S7	WO-116588	0301
F	LEVER, assembly	FM-GPW-9526	WO-116586	0301
G	SPRING	FM-GPW-9624	WO-116184	0301
H	SCREW	FM-31032-S7	WO-116211	0301
J	VALVE, assembly	FM-GPW-9549	WO-116157	0301
K	SCREW	FM-GPW-9586	WO-116216	0301
L	HORN, assembly	FM-GPW-9520	WO-116544	0301
M	SCREW, w/WASHER	FM-355200-S7	WO-116385	0301
N	ROD	FM-GPW-9906	WO-116540	0301
P	COVER, w/PIN, assembly	FM-GPW-9515	WO-116208	0301
Q	SCREW	FM-31061-S8	WO-116213	0301
R	WASHER	FM-34802-S2	WO-6330	0301
S	DISC	FM-GPW-9905	WO-116206	0301
T	GASKET	FM-GPW-9569	WO-116168	0301
U	VALVE, w/SEAT, assembly	FM-GPW-9567	WO-116174	0301
V	SPRING	FM-GPW-9935	WO-116191	0301
W	PIN	FM-GPW-9566	WO-116177	0301
X	PLUG, w/GASKET, assembly	FM-GPW-9543	WO-116165	0301
Y	GASKET	FM-GPW-9608	WO-116169	0301
Z	JET	FM-GPW-9533	WO-116539	0301
AA	GASKET	FM-GPW-9519	WO-116203	0301
AB	FLOAT, assembly	FM-GPW-9550	WO-116172	0301
AC	JET	FM-GPW-9914	WO-116541	0301
AD	GASKET	FM-GPW-9926	WO-116171	0301
AE	NOZZLE	FM-GPW-9922	WO-116166	0301
AF	PLUG	FM-GPW-9562	WO-116161	0301
AG	PLUG	FM-GPW-9928	WO-116164	0301
AH	JET	FM-GPW-9544	WO-116179	0301
AJ	ROD	FM-GPW-9531	WO-116198	0301
AK	SPRING	FM-GPW-9615	WO-116185	0301
AL	RETAINER	FM-GPW-9614	WO-116194	0301
AM	ARM, w/SCREW, assembly	FM-GPW-9583	WO-116197	0301
AN	SCREW	FM-31588-S7	WO-52290	0301
AP	PLUG	FM-GPW-9579	WO-116162	0301
AQ	FLANGE, assembly	FM-GPW-9518	WO-116584	0301
AR	VALVE	FM-GPW-9585	WO-116154	0301
AS	SCREW	FM-GPW-9588	WO-116217	0301
AT	SHAFT, assembly	FM-GPW-9581	WO-116585	0301
AU	SCREW	FM-GPW-9610	WO-116214	0301
AV	SPRING	FM-GPW-9578	WO-116183	0301
AW	SCREW	FM-GPW-9541	WO-116176	0301
AX	GASKET	FM-GPW-9516	WO-116202	0301
AY	INSULATOR	FM-GPW-9554	WO-116210	0301
AZ	PLUG, w/GASKET, assembly	FM-GPW-9696	WO-116163	0301
BA	GASKET	FM-GPW-9574	WO-116170	0301
BB	STRAINER	FM-GPW-9575	WO-116175	0301
BC	CHECK, assembly	FM-GPW-9576	WO-116205	0301
BD	CHECK, assembly	FM-GPW-9594	WO-116204	0301
BE	WASHER	FM-34805-S2	WO-5045	0301
BF	SCREW	FM-31662-S	WO-116215	0301
BG	JET	FM-GPW-9940	WO-116180	0301
BH	SPRING	FM-GPW-9636	WO-116188	0301
BJ	PLUNGER, assembly	FM-GPW-9631	WO-116195	0301
BK	PIN	FM-GPW-9538	WO-116173	0301
BL	LINK	FM-GPW-9527	WO-116199	0301
BM	SPRING	FM-GPW-9570	WO-116187	0301
BN	LEVER, assembly	FM-GPW-9529	WO-116537	0301
BP	SPRING	FM-GPW-9599	WO-116178	0301
BQ	PIN	FM-GPW-9930	WO-116209	0301
BR	SPRING	FM-GPW-9907	WO-116538	0301
BS	WASHER	FM-34711-S7	WO-116207	0301
BT	NUT	FM-34051-S7	WO-52615	0301
BU	ARM, assembly	FM-GPW-9528	WO-116181	0301
BV	SCREW	FM-355067-S7	WO-116384	0301
BW	LINK	FM-GPW-9598	WO-116542	0301

RA PD 342289A

FIGURE 03-2A—LEGEND FOR FIGURE 03-2—CARBURETOR ASSEMBLY—EXPLODED VIEW

GROUP 03—FUEL (Cont'd)

Figure Number	Official Stock Number	Piece Mark or Part Number		ITEM	Quant. Reqd. per Unit Assy.	Unit Price
		Ford No.	Willlys No.			
Col. 1	Col. 2	Col. 3	Col. 4	Col. 5	Col. 6	Col. 7
				0301—CARBURETOR (Cont'd)		
03-2	1500-129-15	FM-GPW-9905	WO-116206	DISK, carburetor metering rod (CAR-129-15) (also in KIT, FM-GPW-18357-B, WO-A-6840)	1	
03-2		FM-GPW-9518	WO-116584	FLANGE, carburetor body, assembly (CAR-1-407)	1	
03-2		FM-31662-S	WO-116215	SCREW, mach., fil-hd., S, 1/4-28NF-2 x 7/8 (CAR-101-122) (also in KIT, FM-GPW-18357-B, WO-A-6840)	1	
03-2	H001-1518007	FM-34805-S2	WO-5045	WASHER, lock, reg., S, 1/4 in. (also in KIT, FM-GPW-18357-B, WO-A-6840)	1	
03-2	1500-21-74S	FM-GPW-9550	WO-116172	FLOAT, carburetor, w/LEVER, assembly (CAR-21-74S)	1	
03-2	G503-0194034	FM-GPW-9516	WO-116202	GASKET, carburetor body flange to main body (CAR-121-56) (also in GASKET SET, FM-GPW-18352, WO-A-6837 and KIT, FM-GPW-18357-B, WO-A-6840)	2	.554
03-2		FM-GPW-9519	WO-116203	GASKET, carburetor bowl cover (CAR-121-73) (also in GASKET SET, FM-GPW-18352, WO-A-6837, and KIT, FM-GPW-18357-B, WO-A-6840)	1	
03-2	1500-20-26	FM-GPW-9608	WO-116169	GASKET, carburetor metering rod jet and plug (CAR-20-26) (also in GASKET SET, FM-GPW-18352, WO-A-6837)	3	
03-2	G103-1594029	FM-GPW-9569	WO-116168	GASKET, carburetor needle seat and plug (CAR-20-22) (also in GASKET SET, FM-GPW-18352, WO-A-6837)	3	
03-2	1500-20-72	FM-GPW-9926	WO-116171	GASKET, carburetor nozzle (CAR-20-72) (also in GASKET SET, FM-GPW-18352, WO-A-6837 and KIT, FM-GPW-18357-B, WO-A-6840)	1	
03-2	1500-20-61	FM-GPW-9574	WO-116170	GASKET, carburetor strainer plug (CAR-20-61) (also in GASKET SET, FM-GPW-18352, WO-A-6837)	1	
	9680-A-5548		WO-A-5548	GASKET SET, carburetor (superseded by GASKET SET, FM-GPW-18352, WO-A-6837)	1	.44
	1500-147	FM-GPW-18352	WO-A-6837	GASKET SET, carburetor (supersedes GASKET SET, WO-A-5448)	1	
				(Consists of:		
		FM-GPW-9516	WO-116202	2 GASKET, body flange		
		FM-GPW-9519	WO-116203	1 GASKET, bowl cover		
		FM-GPW-9445	WO-A-6357	1 GASKET, diffuser to manifold		
		FM-GPW-9926	WO-116171	1 GASKET, nozzle		
		FM-GPW-9608	WO-116169	3 GASKET, metering rod jet		
		FM-GPW-9569	WO-116168	3 GASKET, seat and plug		
		FM-GPW-9574	WO-116170	1 GASKET, strainer		
		FM-GPW-9520	WO-116544	HORN, air, carburetor, assembly (CAR-6-312S)	1	1.50
03-2	1500-6-312S	FM-GPW-9520	WO-116544	INSULATOR, carburetor main body to body flange (CAR-183-19)	1	.244
03-2	G125-0869940	FM-GPW-9554	WO-116210	JET, carburetor idle well (CAR-43-67) (also in KIT, FM-GPW-18357-B, WO-A-6840)	1	
03-2	1500-43-67	FM-GPW-9544	WO-116179	JET, carburetor low speed, assembly (also in KIT, FM-GPW-18357-B, WO-A-6840)	1	
03-2		FM-GPW-9533	WO-116539	JET, carburetor metering rod, w/GASKET, assembly (CAR-120-151S) (also in KIT, FM-GPW-18357-B, WO-A-6840)	1	
03-2	1500-120-151S	FM-GPW-9914	WO-116541		1	

1500-48-84
1500-1319
3320-GPW-18357-B

1
1
1

JET, carburetor pump (CAR-48-84) (also in KIT, FM-GPW-18357-B, WO-A-6840)
KIT, repair, carburetor (CAR-1319) (superseded by KIT, FM-GPW-18357-B, WO-A-6840)
KIT, repair, carburetor (supercedes KIT, FM-GPW-18357, WO-A-1541)

WO-116180
WO-A-1541
WO-A-6840

FM-GPW-9940
FM-GPW-18357
FM-GPW-18357-B

1500-48-84
1500-1319
3320-GPW-18357-B

03-2

- (Consists of:
- 1 ARM, throttle shaft, w/SCREW
- 1 CHECK, discharge disk
- 1 CHECK, intake ball
- 1 DISK, metering rod
- 2 GASKET, body flange
- 1 GASKET, bowl cover
- 1 GASKET, diffuser to manifold
- 1 GASKET, nozzle
- 1 JET, idle well
- 1 JET, low speed, assembly
- 1 JET, metering rod
- 1 JET, pump
- 1 LINK, pump connector
- 1 NOZZLE
- 1 NUT, metering rod pin
- 1 PIN, metering rod
- 1 PLUG, retainer, nozzle
- 1 PLUG, idle port rivet
- 5 PLUG, rivet
- 1 PLUG, rivet
- 1 PLUG and GASKET, strainer passage
- 2 PLUG and GASKET, pump jet
- 2 PLUG and GASKET, low speed jet
- 1 PLUNGER and ROD, pump
- 1 RETAINER, spring
- 1 ROD, connector, throttle
- 1 ROD, metering
- 2 SCREW, choke valve
- 2 SCREW, throttle valve
- 2 SCREW, bowl cover
- 1 SCREW, body flange
- 1 SCREW, air horn, w/WASHER
- 4 SPRING, carburetor pin
- 1 SPRING, connector link
- 1 SPRING, connector rod
- 1 SPRING, metering rod
- 1 SPRING, pump
- 1 SPRING, pump arm
- 1 SPRING, pull back, choke
- 1 STRAINER, pump check
- 1 VALVE and SEAT
- 2 WASHER, bowl cover screw
- 1 WASHER, body flange screw
- 1 WASHER, metering rod pin)

WO-116197
WO-116204
WO-116205
WO-116206
WO-116202
WO-116203
WO-A-6357
WO-116171
WO-116179
WO-116539
WO-116541
WO-116180
WO-116199
WO-116166
WO-52615
WO-116209
WO-116161
WO-116162
WO-116160
WO-116159
WO-116163
WO-116164
WO-116165
WO-116195
WO-116194
WO-116198
WO-116540
WO-116216
WO-116217
WO-116213
WO-116215
WO-116385
WO-116178
WO-116189
WO-116185
WO-116538
WO-116188
WO-116187
WO-116184
WO-116175
WO-116174
WO-6330
WO-5045
WO-116207

FM-GPW-9583
FM-GPW-9594
FM-GPW-9576
FM-GPW-9905
FM-GPW-9516
FM-GPW-9519
FM-GPW-9945
FM-GPW-9926
FM-GPW-9544
FM-GPW-9533
FM-GPW-9914
FM-GPW-9940
FM-GPW-9527
FM-GPW-9922
FM-34051-S7
FM-GPW-9930
FM-GPW-9562
FM-GPW-9579
FM-GPW-9525
FM-GPW-9522
FM-GPW-9696
FM-GPW-9928
FM-GPW-9543
FM-GPW-9631
FM-GPW-9614
FM-GPW-9531
FM-GPW-9906
FM-GPW-9586
FM-GPW-9588
FM-31061-S8
FM-31662-S
FM-355200-S7
FM-GPW-9599
FM-GPW-9587
FM-GPW-9615
FM-GPW-9907
FM-GPW-9636
FM-GPW-9570
FM-GPW-9624
FM-GPW-9575
FM-GPW-9567
FM-34802-S2
FM-34805-S2
FM-34711-S

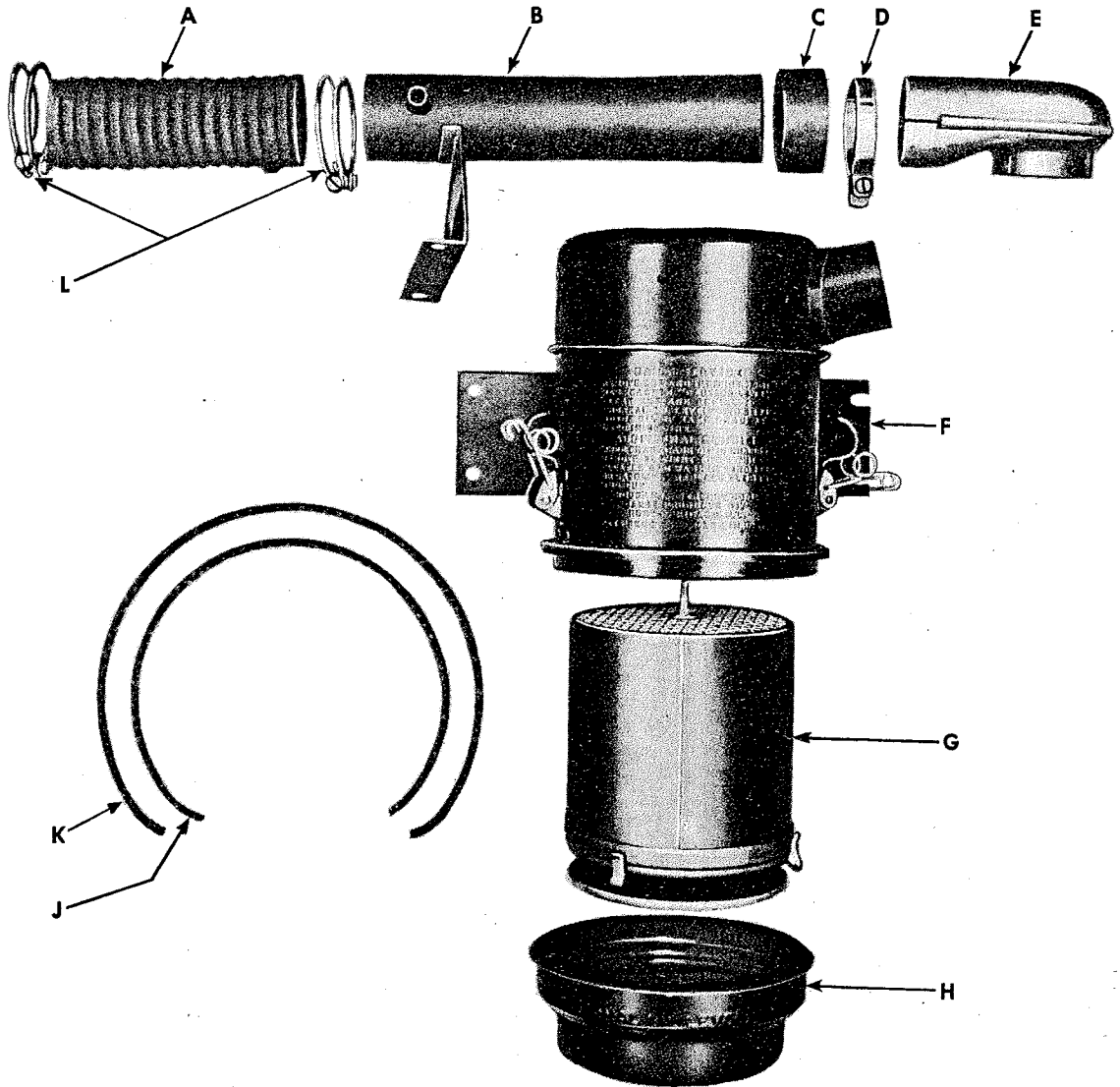
GROUP 03—FUEL (Cont'd)

Figure Number	Official Stock Number	Piece Mark or Part Number		ITEM	Quant. Reqd. per Unit Assy.	Unit Price
		Ford No.	Willys No.			
Col. 1	Col. 2	Col. 3	Col. 4	Col. 5	Col. 6	Col. 7
				0301—CARBURETOR (Cont'd)		
03-2		FM-GPW-9526	WO-116586	LEVER, carburetor choke, w/BRACKET, assembly (CAR-62-135-S)	1	.407
03-2	1500-14-246S	FM-GPW-9546	WO-116545	LEVER, carburetor choke control, w/SHAFT, assembly (CAR-14-246S)	1	.277
03-2	1500-53A-251S	FM-GPW-9529	WO-116537	LEVER, operating, carburetor pump, assembly (CAR-53A-251S)	1	.31
03-2	1500-117-106	FM-GPW-9598	WO-116542	LINK, carburetor choke (CAR-117-106)	1	.0717
03-2	G103-1676405	FM-GPW-9527	WO-116199	LINK, connector, carburetor pump (CAR-117-58) (also available in KIT, FM-GPW-18357-B, WO-A-6840)	1	
03-2	1500-12-255	FM-GPW-9922	WO-116166	NOZZLE, carburetor (CAR-12-255) (also in KIT, FM-GPW-18357-B, WO-A-6840)	1	
03-2	G505-0529696	FM-355858-S	WO-116219	NUT, carburetor tube clamp (CAR-105A-8)	1	.0641
03-2	G179-0579810	FM-GPW-9538	WO-116173	PIN, carburetor float lever (CAR-24-23)	1	.0195
03-2	1500-150-98	FM-GPW-9566	WO-116177	PIN, carburetor intake needle (CAR-150-98)	1	.0391
03-2	1500-150-97	FM-GPW-9930	WO-116209	PIN, carburetor metering rod (CAR-150-97) (also in KIT, FM-GPW-18357-B, WO-A-6840)	1	.0717
03-2	H001-0716530	FM-34051-S7	WO-52615	NUT, mach. screw, hex, S, cd-pltd., No. 6 (0.138)-32NC-2 (also in KIT, FM-GPW-18357-B, WO-A-6840)	1	
03-2	H001-1522003	FM-34711-S7	WO-116207	WASHER, plain, br., No. 6 (0.138) x 1/8 thk. (also in KIT, FM-GPW-18357-B, WO-A-6840)	1	
03-2		FM-GPW-9579	WO-116162	PLUG, carburetor idle port rivet (also in KIT, FM-GPW-18357-B, WO-A-6840)	1	
03-2	G103-1740563	FM-GPW-9543	WO-116165	PLUG, carburetor low speed jet and idle well passage, w/GASKET, assembly (CAR-11B-129S) (also in KIT, FM-GPW-18357-B, WO-A-6840)	1	
03-2	1500-11B-105	FM-GPW-9562	WO-116161	PLUG, carburetor nozzle retainer (CAR-11B-105) (also in KIT, FM-GPW-18357-B, WO-A-6840)	2	
03-2	1500-11B-127S	FM-GPW-9928	WO-116164	PLUG, carburetor pump jet and nozzle passage, w/GASKET (CAR-11B-127S) (also in KIT, FM-GPW-18357-B, WO-A-6840)	1	
03-2	1500-11B-125S	FM-GPW-9696	WO-116163	PLUG, carburetor strainer passage, w/GASKET, assembly (CAR-11B-125S) (also in KIT, FM-GPW-18357-B, WO-A-6840)	2	
		FM-GPW-9523	WO-116160	PLUG, rivet, carburetor (CAR-11B-79) (also in KIT, FM-GPW-18357-B, WO-A-6840)	1	
		FM-GPW-9522	WO-116159	PLUG, rivet, carburetor (CAR-11B-35) (also in KIT, FM-GPW-18357-B, WO-A-6840)	6	
03-2	1500-64-62S	FM-GPW-9631	WO-116195	PLUNGER, carburetor pump, w/ROD, assembly (CAR-64-62S) (also in KIT, FM-GPW-18357-B, WO-A-6840)	1	
03-2	G103-1767693	FM-GPW-9614	WO-116194	RETAINER, carburetor spring (CAR-63-65) (also in KIT, FM-GPW-18357-B, WO-6840)	1	
03-2		FM-GPW-9531	WO-116198	ROD, connecting, carburetor throttle (also in KIT, FM-GPW-18357-B, WO-A-6840)	1	
03-2	1500-75-547	FM-GPW-9906	WO-116540	ROD, metering, carburetor (CAR-75-547) (also in KIT, FM-GPW-18357-B, WO-A-6840)	1	
03-2	G104-0102538	FM-GPW-9541	WO-116176	SCREW, adjustment, carburetor idler (CAR-30A-39)	1	.212
03-2	G085-3004960	FM-GPW-9610	WO-116214	SCREW, adjustment, carburetor throttle lever (CAR-101-121)	1	.0195

03-2	1500-101-150S	FM-355200-S7	WO-116385	SCREW, attaching, carburetor air horn, w/WASHER (CAR-101-150S) (also in KIT, FM-GPW-18357-B, WO-A-6840)	1	
03-2	1500-101-6	FM-31037-S7	WO-301232	SCREW, carburetor choke lever bracket (CAR-101-6)	1	.035
03-2	1500-105-13	FM-355067-S7	WO-116384	SCREW, carburetor choke valve	1	.0047
03-2	H001-5127331	FM-355132-S7	WO-116588	SCREW, carburetor tube clamp (CAR-105-13)	1	
03-2	1500-3-465S	FM-31032-S7	WO-116211	SCREW, carburetor wire clamp (CAR-101-10)	1	.619
03-2	1500-61-190	FM-GPW-9581	WO-116585	SHAFT, carburetor throttle, w/LEVER, assembly (CAR-3-465-S)	1	
03-2	G085-3005920	FM-GPW-9587	WO-116189	SPRING, carburetor connector link (CAR-61-190) (also in KIT, FM-GPW-18357-B, WO-A-6840)	1	
03-2	1500-61-119	FM-GPW-9615	WO-116185	SPRING, carburetor connector rod (CAR-61-128) (also in KIT, FM-GPW-18357-B, WO-A-6840)	1	
03-2	G103-1789631	FM-GPW-9624	WO-116184	SPRING, carburetor choke pull-back (CAR-61-119) (also in KIT, FM-GPW-18357-B, WO-A-6840)	1	
03-2	1500-61-207	FM-GPW-9578	WO-116183	SPRING, carburetor idle adjustment screw (CAR-61-57)	1	.0195
03-2	1500-61-272	FM-GPW-9935	WO-116191	SPRING, carburetor intake needle (CAR-61-207)	1	.0195
03-2	G125-0882589	FM-GPW-9907	WO-116538	SPRING, carburetor metering rod (CAR-61-272) (also in KIT, FM-GPW-18357-B, WO-A-6840)	1	
03-2	G104-1738660	FM-GPW-9650	WO-116186	SPRING, carburetor plunger (CAR-61-143)	1	
03-2	1500-61-171	FM-GPW-9599	WO-116178	SPRING, carburetor pin (CAR-150-A-10) (also in KIT, FM-GPW-18357-B, WO-A-6840)	4	
03-2	1500-61-169	FM-GPW-9636	WO-116188	SPRING, carburetor pump (CAR-61-171) (also in KIT, FM-GPW-18357-B, WO-A-8840)	1	
03-2	1500-7-116S	FM-GPW-9570	WO-116187	SPRING, carburetor pump arm (CAR-61-169) (also in KIT, FM-GPW-18357-B, WO-A-6840)	1	
03-2	G122-0381730	FM-GPW-9575	WO-116175	STRAINER, carburetor pump check (also in KIT, FM-GPW-18357-B, WO-A-6840)	1	
03-2	1500-25-93S	FM-GPW-9549	WO-116157	VALVE, carburetor choke, assembly (CAR-7-116S)	1	
03-2	1500-2-89	FM-GPW-9586	WO-116216	SCREW, attaching, carburetor choke valve (CAR-39-10) (also in KIT, FM-GPW-18357-B, WO-A-6840)	2	
03-2	G085-0305020	FM-GPW-9567	WO-116174	VALVE, needle, carburetor, intake, w/SEAT and SPRING, assembly (CAR-25-93S) (also in KIT, FM-GPW-18357-B, WO-A-6840)	1	.554
03-2	3320-GPW-9447	FM-GPW-9585	WO-116154	VALVE, carburetor, throttle (CAR-2-89)	1	
03-2	1500-1A-55	FM-GPW-9588	WO-116217	SCREW, attaching, carburetor throttle valve (CAR-39-11) (also in KIT, FM-GPW-18357-B, WO-A-6840)	2	
				0301A—CARBURETOR ATTACHING PARTS		
				GASKET, carburetor to intake manifold (superseded by GASKET, FM-GPW-9445, WO-A-6357)	1	
				GASKET, insulator, carburetor and intake manifold DIFFUSER, assembly (also in GASKET SET, FM-GPW-18387, WO-A-1537, FM-GPW-18352, WO-A-6837, and KIT, FM-GPW-18357-B, WO-A-6840) (supersedes GASKET, FM-GPW-9447)	1	
				STUD, S., $\frac{3}{16}$ -16NC x $1\frac{1}{16}$ x $\frac{3}{8}$ -24NF (carburetor to manifold)	2	.0092
				NUT, reg., hex., S., cd-pltd., $\frac{3}{8}$ -24NF-2	2	
				0301B—CHOKE (See Group 0303A)		

GROUP 03—FUEL (Cont'd)

Figure Number	Official Stock Number	Piece Mark or Part Number		ITEM	Quant. Reqd. per Unit Assy.	Unit Price
		Ford No.	Willlys No.			
Col. 1	Col. 2	Col. 3	Col. 4	Col. 5	Col. 6	Col. 7
0301C—AIR CLEANER						
03-3	6855-613455 0040-1542508	FM-GPW-9609	WO-A-1315 WO-A-5629 WO-A-1313 WO-A-5104 WO-A-1279 WO-A-1278	BASE, air cleaner, assembly (before Willlys Serial No. 124309) (AC-1542510) BODY, air cleaner, assembly (after Willlys Serial No. 124309) (OKS-613455) BOLT, wing, air cleaner cover (before Willlys Serial No. 124309) (AC-1542508) BRACE, air cleaner support bracket BRACKET, support, air cleaner, left, assembly BRACKET, support, air cleaner, right, assembly BOLT, hex-hd., s-fin., alloy-S, $\frac{5}{16}$ -24NF-2 x $\frac{3}{4}$ (GM-106279) NUT, reg, hex, s-fin., S, cd-pltd., $\frac{5}{16}$ -24NF-2 WASHER, lock, reg, S, cd-pltd., $\frac{5}{16}$ in. WASHING, air cleaner tube to carburetor (superseded by BUSHING, FM-GPW-9686-A, WO-A-1451)	1 1 1 1 1 1 6 6 6	3.26 .0239 .0026
03-3	H001-5419780 H001-7025711 3320-GPW-9686	FM-33798-S7 FM-34806-S7 FM-GPW-9686	WO-A-1532 WO-51833	BUSHING, FM-GPW-9686-A, WO-A-1451	1	.0134
03-3	3320-GPW-9686-A	FM-GPW-9686-A	WO-A-1451	BUSHING, air cleaner tube to carburetor (3-ply rad. hose $2\frac{1}{4}$ x $1\frac{1}{8}$) (supersedes BUSHING, FM-GPW-9686) (superseded by SEAL, FM-GPW-9633, WO-A-17318; and SEAL, FM-GPW-9686-B, WO-A-17317)	1	.0759
03-3	3320-GPW-9628	FM-GPW-9628	WO-A-281	CLAMP, carburetor air horn, w/BOLT and NUT (S, $2\frac{1}{8}$ I.D. x $\frac{1}{2}$)	1	.0135
03-3	3320-GPW-6772	FM-GPW-6772	WO-53108	CLAMP, hose, S, $\frac{3}{4}$ in.	2	.0192
03-3	G503-7036575	FM-GPW-9653	WO-635097	CLAMP, hose, S, $2\frac{1}{2}$ in. I.D. (USL-461389)	4	.0125
03-3	3320-GPW-2250	FM-GPW-2250	WO-A-1515	CLAMP, hose, S, $2\frac{1}{2}$ in. I.D. (1 used for WO-A-1451 BUSHING; 1 used carburetor to air cleaner tube) (superseded by CLAMP, FM-GPW-9625, WO-53384)	2	.0125
03-3	6855-613300 3320-355253-S	FM-GPW-9625 FM-GPW-18205-B FM-355253-S	WO-53384 WO-A-5621 WO-115905	CLAMP, carburetor and air cleaner horn (supersedes CLAMP, FM-GPW-2250, WO-A-1515) CLEANER, air, assembly (OKS-613300) SCREW, wing, $\frac{1}{4}$ -20NC-2 x $\frac{3}{4}$ (air cleaner to bracket)	1 1 4	4.40 .0217
03-3	6855-613306 G503-0169094	FM-GPW-9658 FM-GPW-9618	WO-A-5631	WASHER, lock, S, SAE std., $\frac{1}{4}$ in. CUP, oil, air cleaner (OKS-613306) ELEMENT, air cleaner, assembly (superseded by ELEMENT, FM-GPW-9617, WO-A-5630)	1 1	.407
03-3	G503-0169093	FM-GPW-9617	WO-A-5630	ELEMENT, air cleaner, assembly (superseded by ELEMENT, FM-GPW-9617, WO-A-5630)	1	1.515
03-3	G179-7010485	FM-GPW-9621	WO-A-5632	ELEMENT, FM-GPW-9618	1	.0098
03-3	6855-613314	FM-GPW-9623	WO-A-5633	GASKET, air cleaner body, upper (OKS-613313)	1	.0117
03-3	3320-GPW-9632	FM-GPW-9632	WO-A-463	GASKET, air cleaner oil cup, lower (OKS-613314)	1	.228
03-3	3320-GPW-6771	FM-GPW-6771	WO-A-6918	HORN, air cleaner	1	.0406
03-3	3320-GPW-9652	FM-GPW-9652	WO-A-1311	HOSE, air cleaner tube to oil filler tube HOSE, air cleaner tube to cleaner (superseded by HOSE, FM-GPW-9652-B, WO-A-1311) HOSE, air cleaner tube to cleaner, flexible (supersedes HOSE, FM-GPW-9652)	1 1	.117



Key	Part Name	Ford Part No.	Willys Part No.	Group No.
A	HOSE	FM-GPW-9652-B	WO-A-1311	0301C
B	TUBE, w/BRACKET, assembly	FM-GPW-9637-B	WO-A-6911	0301C
C	BUSHING	FM-GPW-9686-A	WO-A-1451	0301C
D	CLAMP	FM-GPW-2250	WO-A-1515	0301C
E	HORN	FM-GPW-9632	WO-A-463	0301C
F	BODY, assembly	FM-GPW-9609	WO-A-5629	0301C
G	ELEMENT, assembly	FM-GPW-9617	WO-A-5630	0301C
H	CUP	FM-GPW-9658	WO-A-5631	0301C
J	GASKET	FM-GPW-9623	WO-A-5633	0301C
K	GASKET	FM-GPW-9621	WO-A-5632	0301C
L	CLAMP	FM-GPW-9653	WO-635097	0301C

RA PD 342266

FIGURE 03-3—AIR CLEANER ASSEMBLY—EXPLODED VIEW

GROUP 03—FUEL (Cont'd)

Figure Number	Official Stock Number	Piece Mark or Part Number		ITEM	Quant. Reqd. per Unit Assy.	Unit Price
		Ford No.	Willlys No.			
Col. 1	Col. 2	Col. 3	Col. 4	Col. 5	Col. 6	Col. 7
				0301C—AIR CLEANER (Cont'd)		
	3320-GPW-9633	FM-GPW-9633	WO-A-17318	SEAL, carburetor and air cleaner horn (supersedes BUSHING, FM-GPW-9686-A, WO-A-1451)	1	
	3320-GPW-9686-B	FM-GPW-9686-B	WO-A-17317	SEAL, carburetor air cleaner tube clamp (supersedes BUSHING, FM-GPW-9686-A, WO-A-1451)	1	
		FM-GPW-9647	WO-A-642	SHIELD, air cleaner, assembly	1	
	H001-4167520	FM-20309-S7	WO-51732	BOLT, hex-hd., s-fin., S, cd-pltd., 1/4-28NPF-2 x 1/2 (BADX4AA-1)	3	
		FM-33796-S2	WO-5914	NUT, reg, hex, s-fin., S, 1/4-28NPF-2 (GM-103024)	3	
		FM-34745-S2	WO-52702	WASHER, plain, S, 1/4 in.	3	
	H001-1518007	FM-34805-S2	WO-52706	WASHER, lock, reg, S, 1/4 in.	3	
	6855-613380	FM-GPW-9612	WO-A-7191	SPRING, air cleaner toggle (OKS-613380)	2	.0391
	3320-GPW-9637	FM-GPW-9637	WO-A-1290	TUBE, air cleaner	1	
	3320-GPW-9637-A	FM-GPW-9637-A	WO-A-1290	TUBE, air cleaner, w/BRACKET, assembly (w/o ventilator tube connection)	1	
	3320-GPW-9637-B	FM-GPW-9637-B	WO-A-6911	TUBE, air cleaner, w/BRACKET, assembly (w/ventilator tube connection)	1	.554
01-2, 3				0302—FUEL PUMP		
03-4	0040-1521960	FM-GPW-9399	WO-115641	ARM, rocker, fuel pump, assembly (AC-1521960)	1	.179
03-4	G085-3000180	FM-GPW-9387	WO-115657	BAIL, fuel pump strainer, assembly (AC-1523231) (also in KIT, FM-GPW-18375, WO-A-6754)	1	
03-4		FM-GPW-9386	WO-A-1045	BODY, fuel pump, w/priming LEVER, assembly	1	
03-4	G085-3000880	FM-GPW-9355	WO-A-1494	BOWL, fuel pump (metal) (AC-1537065) (also in KIT, FM-GPW-18375, WO-A-6754)	1	
03-4	G085-3004580	FM-11A-9361	WO-115653	CLAMP, fuel pump valve (AC-1521956)	1	
03-4		FM-26466-S7	WO-51546	SCREW, machine, rd-hd., S, cd-pltd., No. 6 (0.138-32NC-2 x 3/8) (also in KIT, FM-GPW-18373D, WO-A-9293)	1	.0083
03-4		FM-GPW-9354	WO-115650	COVER, fuel pump, assembly	2	
03-4		FM-31628-S7	WO-113439	SCREW, fl-hd., No. 10 (0.190)-32NPF-2 x 1/2 (AC-855493) (also in KIT, FM-GPW-18373-D, WO-A-7834)	1	
03-4	H001-7025621	FM-34803-S7	WO-52221	WASHER, lock, S, cd-pltd., SAE std., No. 10 (0.190)	6	
		FM-GPW-9398-B	WO-116995	DIAPHRAGM, fuel pump, w/pull ROD, assembly (AC-1538205) (used with PUMP, FM-GPW-9350, WO-A-1220) (also in KIT, FM-GPW-18373-C, WO-A-7834)	6	
03-4	G085-0100660	FM-GPW-9398	WO-115644	DIAPHRAGM, fuel pump, w/PULL ROD, assembly (AC-1522199) (also in KIT, FM-GPW-18373-D, WO-A-9293)	1	
03-4	G085-3002220	FM-GPW-9364	WO-115656	GASKET, fuel pump bowl (AC-1523096) (also in KIT, FM-GPW-18373-D, WO-A-9293, and KIT, FM-GPW-18375, WO-A-6754)	1	
03-4		FM-GPW-9363	WO-115652	GASKET, fuel pump valve (AC-1521953) (also in KIT, FM-GPW-18373-D, WO-A-9293)	1	
					2	

Key	Part Name	Ford Part No.	Willlys Part No.	Group No.
A	BAIL, assembly.....	FM-GPW-9387.....	WO-115657.....	.0302
B	SEAT.....	FM-GPW-9388.....	WO-113460.....	.0302
C	BOWL.....	FM-GPW-9355.....	WO-A-1494.....	.0302
D	SCREEN.....	FM-GPW-9365.....	WO-115654.....	.0302
E	GASKET.....	FM-GPW-9364.....	WO-115656.....	.0302
F	COVER.....	FM-GPW-9354.....	WO-115650.....	.0302
G	SCREW.....	FM-31628-S7.....	WO-113439.....	.0302
H	WASHER.....	FM-34803-S7.....	WO-52221.....	.0302
J	DIAPHRAGM, assembly.....	FM-GPW-9398.....	WO-115644.....	.0302
K	CLAMP.....	FM-11A-9361.....	WO-115653.....	.0302
L	VALVE, assembly.....	FM-11A-9352.....	WO-115651.....	.0302
M	SCREW.....	FM-26466-S7.....	WO-51546.....	.0302
N	GASKET.....	FM-GPW-9363.....	WO-115652.....	.0302
P	SPRING.....	FM-GPW-9396-B.....	WO-116694.....	.0302
Q	SPRING.....	FM-GPW-9380.....	WO-115643.....	.0302
R	ARM.....	FM-GPW-9399.....	WO-115641.....	.0302
S	LINK.....	FM-1NC-9381.....	WO-115880.....	.0302
T	PIN.....	FM-GPW-9378.....	WO-A-1046.....	.0302
U	BODY, w/LEVER, assembly.....	FM-GPW-9386.....	WO-A-1045.....	.0302
V	SEAL.....	FM-GPW-9469.....	WO-115870.....	.0302
W	WASHER.....	FM-GPW-9468.....	WO-115869.....	.0302

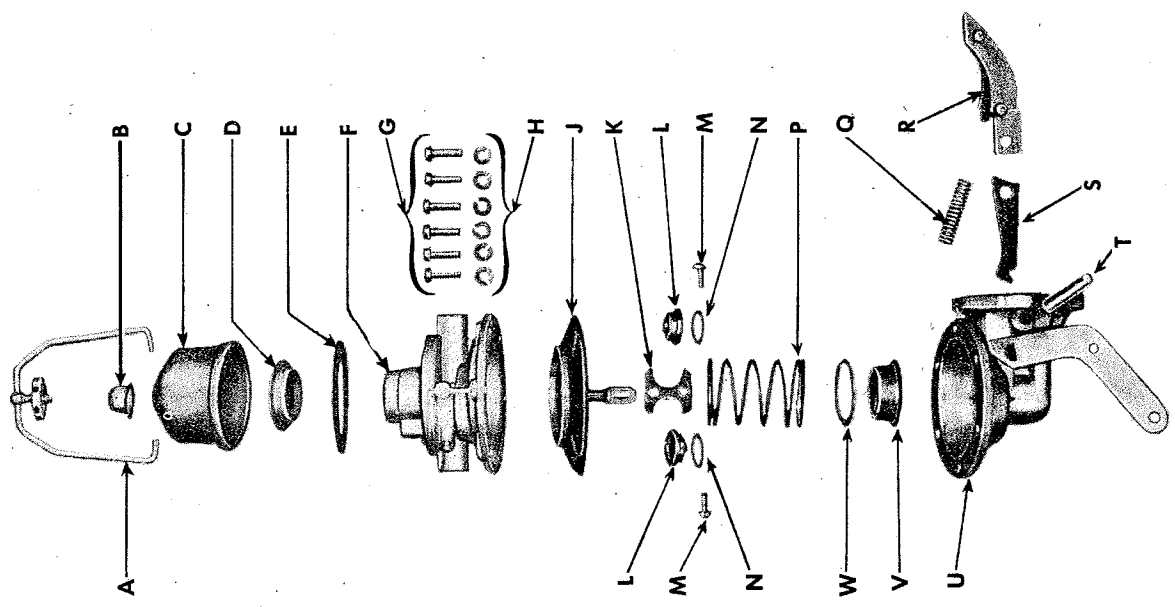


FIGURE 03-4—FUEL PUMP ASSEMBLY—EXPLODED VIEW

GROUP 03—FUEL (Cont'd)

Figure Number	Official Stock Number	Piece Mark or Part Number		ITEM	Q'ty. Req'd. per Unit Assy.	Unit Price	
		Ford No.	Willlys No.				
Col. 1	Col. 2	Col. 3	Col. 4	Col. 5	Col. 6	Col. 7	
		FM-GPW-18373	WO-A-1540	0302—FUEL PUMP (Cont'd) KIT, repair, fuel pump (AC-1537904) (superseded by KIT, FM-GPW-18373-D, WO-A-9293). KIT, repair, fuel pump (AC-1538114) (superseded by KIT, FM-GPW-18373-D, WO-A-9293). KIT, repair, fuel pump (superseded by KIT, FM-GPW-18373-D, WO-A-9293). (Consists of: 1 DIAPHRAGM, w/ROD 1 GASKET, bowl 1 GASKET, fuel pump 2 GASKET, valve 1 LINK, rocker arm 1 PIN, rocker arm 1 SEAL 1 SCREEN, filtering, assembly 3 SCREW, clamp 3 SCREW, cover 1 SPRING, diaphragm 1 SPRING, rocker arm 2 VALVE, assembly 3 WASHER, lock 1 WASHER, pin) KIT, repair, fuel pump (AC-1538360) (supersedes, KITS, FM-GPW-18373, WO-A-1540; FM-GPW-18373-B, WO-A-6838; and FM-GPW-18373-C, WO-A-7834). (Consists of: 1 DIAPHRAGM, w/ROD 1 GASKET, bowl 1 GASKET, fuel pump 2 GASKET, valve 1 LINK, rocker arm 1 PIN, rocker arm 1 SEAL 1 SCREEN, filtering, assembly 3 SCREW, clamp 3 SCREW, cover 1 SPRING, diaphragm 1 SPRING, rocker arm 2 VALVE, assembly 3 WASHER, lock 1 WASHER, pin) KIT, repair, fuel pump (AC-1538360) (supersedes, KITS, FM-GPW-18373, WO-A-1540; FM-GPW-18373-B, WO-A-6838; and FM-GPW-18373-C, WO-A-7834). (Consists of: 1 DIAPHRAGM, w/ROD 1 GASKET, bowl 1 GASKET, fuel pump 2 GASKET, valve 1 LINK, rocker arm 1 PIN, rocker arm 1 SEAL 1 SCREEN, filtering, assembly 3 SCREW, clamp 3 SCREW, cover 1 SPRING, diaphragm 1 SPRING, rocker arm 2 VALVE, assembly 3 WASHER, lock 1 WASHER, pin)	as req.	1.173	
		FM-GPW-18373-B	WO-A-6838			as req.	1.173
	0040-1538360	FM-GPW-18373-C	WO-A-7834				
		FM-GPW-9398-B	WO-116695				
		FM-GPW-9364	WO-115656				
		FM-IGA-9417	WO-638737				
		FM-GPW-9363	WO-115652				
		FM-INC-9381	WO-115880				
		FM-GPW-9378	WO-A-1046				
		FM-GPW-9469	WO-115870				
		FM-GPW-9365	WO-115654				
		FM-26466-S7	WO-51546				
		FM-31628-S7	WO-113439				
		FM-GPW-9396	WO-116694				
		FM-GPW-9380	WO-115643				
		FM-11A-9352	WO-115651				
			WO-113440				
		FM-GPW-9377	WO-A-1047				
	0040-1538360	FM-GPW-18373-D	WO-A-9293				
		FM-GPW-9398	WO-115644				
		FM-GPW-9364	WO-115656				
		FM-1GA-9417	WO-638737				
		FM-GPW-9363	WO-115652				
		FM-INC-9381	WO-115880				
		FM-GPW-9378	WO-A-1046				
		FM-GPW-9469	WO-115870				
		FM-GPW-9365	WO-115654				
		FM-26466-S7	WO-51546				
		FM-31628-S7	WO-113439				
		FM-GPW-9396-B	WO-116694				
		FM-GPW-9380	WO-115643				

0040-1538115	FM-11A-9352	WO-115651	2 VALVE, assembly	1	
	FM-GPW-9377	WO-113440	3 WASHER, lock		
	FM-GPW-18375	WO-A-1047	1 WASHER, pin)		
		WO-A-6754	KIT, repair, fuel pump bowl (AC-1538115)		
			(Consists of:		
	FM-GPW-9387	WO-11567	1 BAIL, fuel strainer, assembly (AC-1523231)		
G085-3000880	FM-GPW-9355	WO-A-1494	1 BOWL, fuel (AC-1537065)		.103
G085-3002220	FM-GPW-9364	WO-115656	1 GASKET, fuel bowl (AC-1523096)		
G085-1414736	FM-GPW-9373	WO-113461	1 NUT, thumb, fuel pump bowl (AC-855763)		
G067-1501511	FM-GPW-9388	WO-113460	1 SEAT, fuel bowl (AC-854005)		
G085-3003100	FM-INC-9381	WO-115880	LINK, fuel pump rocker arm (AC-1521708) (also in KIT, FM-GPW-18373-D, WO-A-9293)	1	
	FM-GPW-9373	WO-113461	NUT, thumb, fuel pump strainer (AC-855763) (also in KIT, FM-GPW-18375, WO-A-6754)	1	
	FM-GPW-9378	WO-A-1046	PIN, fuel pump rocker arm (AC-1521578) (also in KIT, FM-GPW-18373-D, WO-A-9293)	1	
	FM-GPW-9350	WO-A-1220	PUMP, fuel, assembly (superseded by PUMP, FM-GPW-9350-B, WO-A-8323)	1	
0040-1538312	FM-GPW-9350-B	WO-A-8323	PUMP, fuel, assembly (AC-1538312) (supersedes PUMP, FM-GPW-9350, WO-A-1220)	1	2.04
G085-3004880	FM-GPW-9365	WO-115654	SCREEN, filtering fuel pump, assembly (AC-1523099) (also in KIT, FM-GPW-18373-D, WO-A-9293)	1	
	FM-GPW-9469	WO-115870	SEAL, fuel pump pull rod (rubber) (AC-1521880) (also in KIT, FM-GPW-18373-D, WO-A-9293)	1	.0354
	FM-GPW-9388	WO-113460	SEAL, fuel pump strainer bowl (AC-854005) (also in KIT, FM-GPW-18375, WO-A-6754)	1	
	FM-GPW-9396-B	WO-116694	SPRING, fuel pump diaphragm (AC-1523068) (also in KIT, FM-GPW-18373-D, WO-A-9293)	1	
	FM-GPW-9380	WO-115643	SPRING, fuel pump rocker arm (AC-1522046) (also in KIT, FM-GPW-18373-D, WO-A-9293)	1	
	FM-11A-9352	WO-115651	VALVE, fuel pump, assembly (AC-1523106) (also in KIT, FM-GPW-18373-D, WO-A-9293)	2	
	FM-GPW-9468	WO-115869	WASHER, fuel pump diaphragm spring seat (AC-1521985)	1	.0052
	FM-GPW-9377	WO-A-1047	WASHER, fuel pump rocker arm pin (also in KIT, FM-GPW-18373-D, WO-A-9293)	1	
0302A—FUEL PUMP ATTACHING PARTS					
	FM-20366-S	WO-6428	BOLT, fuel pump mounting (hex-hd., S, 5/16-18NC-2 x 7/8) (GM-106325)	2	
	FM-34806-S7	WO-51833	WASHER, lock, S, cd-pltd., SAE std., 5/16 in.	2	
	FM-GPW-9417	WO-638737	GASKET, fuel pump to block (AC-838263) (superseded by GASKET, FM-IGA-9417, WO-638737)	1	
	FM-IGA-9417	WO-638737	GASKET, fuel pump to block (also in KIT, FM-GPW-18375-D, WO-A-9293, and GASKET SET, FM-GPW-18390, WO-A-1536) (supersedes GASKET, FM-GPW-9417)	1	

GROUP 03—FUEL (Cont'd)

Figure Number	Official Stock Number	Piece Mark or Part Number		ITEM	Quant. Req'd. per Unit Assy.	Unit Price	
		Ford No.	Willys No.				
Col. 1	Col. 2	Col. 3	Col. 4	Col. 5	Col. 6	Col. 7	
0303—ACCELERATOR AND LINKAGE							
01-11	3320-GPW-9752	FM-GPW-9752	WO-633013	BLOCK, adjusting, accelerator throttle rod	1	.168	
	H001-4167520	FM-GPW-9728	WO-639607	BRACKET, accelerator cross shaft	1	.0606	
	H101-0173252	FM-33796-S2	WO-5914	NUT, reg., hex., s-fin., S, ¼-20NC-2 (GM-103024)	2	.0038	
		FM-88350-S7	WO-337304	STUD, S, cd-pltd., ¼-20NC-2 x ½	2	.0083	
		FM-356305-S	WO-52768	WASHER, plain, S, 2/4 (at each end of cross shaft)	2		
		FM-34805-S2	WO-52706	WASHER, lock, reg., S, ¼ in.	2		
		FM-GPW-9751	WO-A-1173	CLIP, throttle rod retracting spring (mounted under carburetor attaching stud nut)	1	.0166	
		FM-GPW-9745	WO-639610	CLIP, throttle rod retracting spring (on throttle rod)	1	.031	
		FM-GPW-9731-B	WO-651298	CONNECTION, accelerator pedal	1	.0218	
		3320-GPW-9727	FM-GPW-9711	HINGE, accelerator pedal (female)	1		
		3320-GPW-9719	FM-GPW-9727	LINK, connecting, accelerator pedal	1		
		H001-0811066	FM-GPW-9719	LINK, connecting, accelerator pedal	1		
		G085-23-71466	FM-72008-S	PIN, cotter, split, S, 1/16 x 5/8	1		
		3320-GPW-9726	FM-34745-S2	WASHER, plain, S, ¼ in.	1		
		9680-A-1083	FM-GPW-9726	WASHER, plain, S, ¼ in.	1		
			FM-GPW-9726	LEVER, accelerator cross shaft, w/BRACKET, assembly	1		
			FM-GPW-9726	PEDAL, accelerator (Willys only) (superseded by PEDAL, assembly, FM-GPW-9735-B, WO-A-6851)	1		
			FM-GPW-9735-A	PEDAL, accelerator (Ford only) (superseded by PEDAL, assembly, FM-GPW-9735-B, WO-A-6851)	1	.358	
	18-1	3320-GPW-9735-A	FM-GPW-9735-A	WO-A-6851	PEDAL, accelerator, w/HINGE and LINK, assembly (supersedes PEDAL, FM-GPW-9735-A, WO-A-1083)	1	
		3320-GPW-9735-B	FM-GPW-9735-B	WO-A-1701	NUT, mach. screw, hex., S, cd-pltd., No. 10 (0.190)-24NC-2	2	
		FM-355836-S7	WO-51537	SCREW, mach., rd-hd., S, No. 10 (0.190)-24NC-2 x ½ (w/lock WASHER)	2		
		FM-355162-S2	WO-A-1225	REST, foot, accelerator	1	.0878	
18-1	H101-0114493	FM-33909-S	WO-52954	NUT, jam, hex, s-fin., alloy-S, 5/16-24NF-2 (GM-114493)	1		
		FM-GPW-9742	WO-A-1273	ROD, throttle, accelerator (superseded by ROD, FM-GPW-9742, WO-A-1175)	1	.129	
	H001-0811026	FM-72008-S	WO-A-1175	ROD, throttle, accelerator (supersedes ROD, WO-A-1273)	1		
	3320-GPW-9739	FM-GPW-9739	WO-5433	PIN, cotter, split, S, 1/16 x 5/8	2		
	9680-A-6853	FM-GPW-9739	WO-A-1243	SHAFT, cross, accelerator, w/LEVER, assembly	1		
	3320-GPW-9799	FM-GPW-9799	WO-A-6853	SOCKET, accelerator pedal link	1		
	3320-GPW-9737	FM-GPW-9799	WO-633011	SPRING, retracting, accelerator	1	.0231	
		FM-GPW-9737	WO-632174	SPRING, accelerator cross shaft	1	.0064	
	3320-GPW-9795	FM-GPW-9795	WO-650483	SPRING, accelerator pedal hinge	1	.0051	

0303A—HAND THROTTLE AND CHOKE CONTROL

3320-GPW-9775	FM-GPW-9775	WO-A-5106	CONTROL, carburetor choke or throttle, assembly (superseded by CONTROL, FM-GPW-9775-B, WO-A-7517)	2	.244
3320-GPW-9700	FM-GPW-9700	WO-A-1301	CONTROL, carburetor choke or throttle, assembly (superseded by CONTROL, FM-GPW-9775-B, WO-A-7517)		.244
18-1	3320-GPW-9775-B	WO-A-7517	CONTROL, carburetor choke or throttle, assembly (superseded CONTROL, FM-GPW-9700, WO-A-1301, and FM-GPW-9775, WO-A-5106)	2	
	3320-GPW-9778	WO-A-1308	CONTROL, carburetor choke or throttle, w/PLUNGER and WIRE, assembly (superseded by KNOB, FM-GPW-9778, WO-A-7518)	2	
	3320-GPW-9778	WO-A-1307	CONTROL, carburetor choke or throttle, w/PLUNGER and WIRE, assembly (superseded by KNOB, FM-GPW-9778, WO-A-7518)	2	
	3320-GPW-9778	WO-A-7518	CONTROL, carburetor choke or throttle, w/PLUNGER and WIRE, assembly (superseded by KNOB, FM-GPW-9778, WO-A-7518)	2	
	3320-GPW-11474	WO-372438	STOP, throttle wire	1	.0184
	3320-GPW-11495	WO-A-8834	STOP, throttle wire, w/SCREW, assembly	1	
	H001-5147511	WO-52131	SCREW, mach., rd-hd., S, cd-pltd., No. 8 (0.164)-32NC-2 x 1/4	1	

0304—FUEL LINES

03-5	0040-119922	WO-A-1265	BUSHING, pipe, shoulder, hex., 1/4 x 1/8 (AC-119922) (fuel strainer inlet and outlet) (Note 1)	2	.0586
		WO-A-15596	ELBOW, flexible connection to fuel pump (used with TANK, FM-GPW-9002-C, WO-A-15507)	1	
		WO-A-1289	CLIP, closed, 1/16 in., bolt hole 13/32 (tube to front engine plate)	1	.0142
		WO-A-5450	CLIP, open, 1/16 in., bolt hole 1/8 (1 used, tube to floor pan front cross sill, 2 used, tube to floor pan rear cross sill, 1 used, tube to fender splasher, 1 used, tube to dash)	5	.0152
	G503-0139920	WO-A-1325	CONNECTOR, flexible (in fuel line) (FO-HA-8031)	1	.342
			CONNECTOR, inverted flared tube, 5/16 in. (superseded by CONNECTOR, FM-GPW-9267-A, WO-387249)	1	
	3320-GPW-9627-A	WO-387249	CONNECTOR, inverted flared tube, br., 5/16 in. (fuel strainer) (superseded CONNECTOR, FM-GPW-9627)	1	.0373
	3320-GPW-9628	WO-384549	ELBOW, inverted flared tube, 5/16 in. (fuel pump inlet and outlet) (fuel strainer)	3	.0446
	G503-0407836	WO-A-1368	TUBE, flexible connection to fuel pump, assembly	1	.179
	3320-GPW-9282	WO-A-1367	TUBE, fuel filter to flexible connection, assembly (Note 1)	1	.179
	3320-GPW-9237	WO-A-1366	TUBE, fuel tank to filter, assembly (73 5/8 long x 5/8 O.D.) (Note 1)	1	.456
	3320-GPW-9237-B	WO-A-15598	TUBE, fuel tank to flexible connection (51 5/8 long x 5/8 O.D.) (used with TANK, FM-GPW-9003-C, WO-A-15507)	1	
	3320-GPW-9369	WO-A-1369	TUBE, fuel pump to carburetor, assembly	1	.15

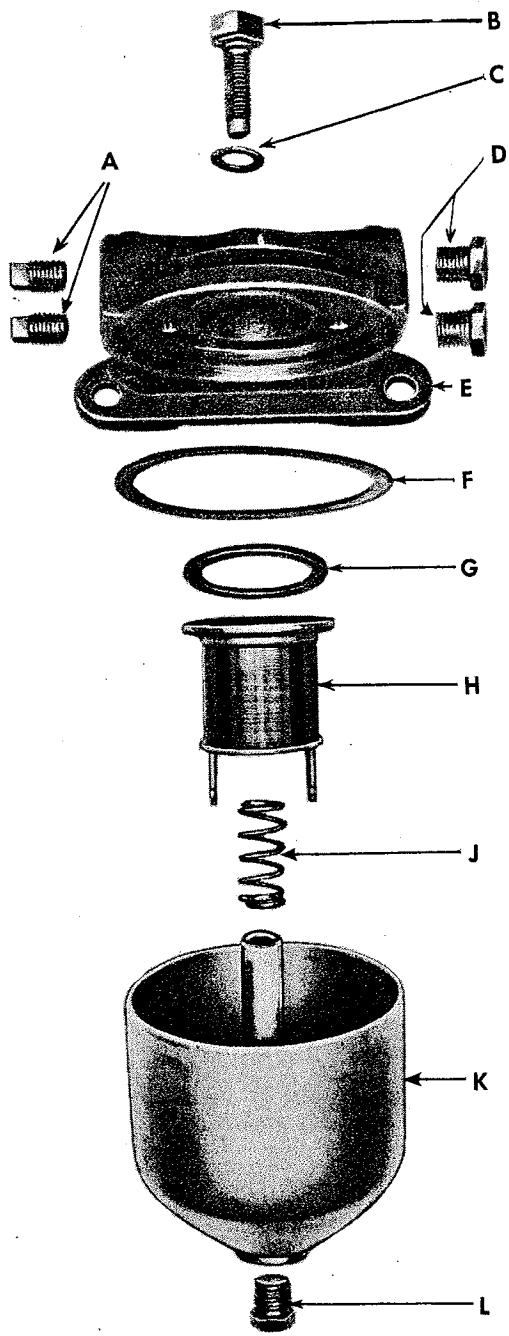
0306B—FUEL STRAINER
(For vehicles equipped with fuel strainer mounted on dash)

03-5	FM-GPW-9162	WO-A-1263	BOWL, fuel strainer, assembly	1	1.60
03-5	FM-GPW-9149	WO-A-1258	COVER, mounting, fuel strainer	1	
03-5	G085-3002320	WO-A-1257	GASKET, fuel strainer cover cap screw (AC-853562) (also in GASKET SET, FM-GPW-18337, WO-A-6883)	1	

Note 1—For vehicles equipped with fuel strainer mounted on dash.

GROUP 03—FUEL (Cont'd)

Figure Number	Official Stock Number	Piece Mark or Part Number		ITEM	Quant. Reqd. per Unit Assy.	Unit Price
		Ford No.	Willlys No.			
Col. 1	Col. 2	Col. 3	Col. 4	Col. 5	Col. 6	Col. 7
03-5	G133-0193816	FM-GPW-9160	WO-A-1259	0306B—FUEL STRAINER (Cont'd) (For vehicles equipped with fuel strainer mounted on dash)	1	
03-5	G085-3002300	FM-GPW-9186	WO-A-1260	GASKET, fuel strainer bowl (AC-853558) (also in GASKET SET, FM-GPW-18337, WO-A-6883)	1	
	G503-0194028	FM-GPW-18337	WO-A-6883	GASKET, fuel strainer unit (AC-853572) (also in GASKET SET, FM-GPW-18337, WO-A-6883)	1	.0673
	G085-3002320	FM-GPW-9184	WO-A-1257	(Consists of: 1 GASKET, cover cap screw		
	G085-3002280	FM-GPW-9160	WO-A-1259	1 GASKET, strainer bowl		
	G085-3002300	FM-GPW-9186	WO-A-1260	1 GASKET, strainer unit		
03-5	H006-0283195	FM-GPW-9185	WO-A-1264	PLUG, drain, fuel strainer (AC-127951)	1	.05
03-5	G104-1781765	FM-353055-S	WO-5138	PLUG, pipe, 1, 1/4 in.	2	.0142
03-5	G085-3005780	FM-GPW-9183	WO-A-1256	SCREW, attaching, fuel strainer cover (fil-hd., S.) (AC-853634)	1	.212
03-5	G503-0183053	FM-GPW-9182	WO-A-1262	SPRING, fuel strainer unit (AC-1504118)	1	.0386
	G503-0183053	FM-GPW-9155		STRAINER, fuel, assembly (superseded by STRAINER, FM-GPW-9155-A, WO-A-1255)	1	1.81
	G518-7001420	FM-GPW-9155-A	WO-A-1255	STRAINER, fuel, assembly (AC-1595235) (supersedes STRAINER, FM-GPW-9155)	1	
	H001-1518009	FM-24389-S2	WO-5919	BOLT, hex-hd., S., 3/8-24NF-2 x 1	2	
	H001-7045591	FM-33800-S7	WO-52542	NUT, reg, hex, S., cd-pltd., 3/8-24NF-2	2	
	G085-3005980	FM-34807-S2	WO-5010	WASHER, lock, S., SAE std., 3/8 in.	2	
		FM-34707-S7	WO-52819	WASHER, plain, flat, S., cd-pltd., USS, 3/8 in.	2	
		FM-GPW-9140		STRAINER-UNIT, fuel, assembly (superseded by STRAINER-UNIT, FM-GPW-9140-A, WO-A-1261)	1	
03-5		FM-GPW-9140-A	WO-A-1261	STRAINER-UNIT, fuel, assembly (AC-1595823) (supersedes STRAINER-UNIT, FM-GPW-9140)	1	1.60
GROUP 04—EXHAUST						
0401—MUFFLER AND EXHAUST PIPE (Round Type and Oval Type)						
04-1	3320-GPW-5251	FM-GPW-5251	WO-A-1300	CLAMP, exhaust pipe extension	1	.101
04-1	H001-1013461	FM-23392-S2	WO-52983	BOLT, carriage, sq-shank, rd-hd., S., 5/16-18NC-2 x 7/8 (GM-119034)	1	
04-1	G085-2307354	FM-20046-S2	WO-51523	BOLT, hex-hd., S., 5/16-18NC-2 x 3/4	1	
04-1	H001-7025711	FM-33797-S2	WO-53037	NUT, reg, hex, S., 5/16-18NC-2 (GM-118614)	2	
04-1		FM-34806-S7	WO-51833	WASHER, lock, S., cd-pltd., SAE std., 5/16 in.	2	
04-1		FM-34746-S7	WO-A-1533	WASHER, plain, S., cd-pltd., SAE, 5/16 in. (used as spacer)	1	



Key	Part Name	Ford Part No.	Willys Part No.	Group No.
A	PLUG	FM-353055-S	WO-5138	0306B
B	SCREW	FM-GPW-9183	WO-A-1256	0306B
C	GASKET	FM-GPW-9184	WO-A-1257	0306B
D	BUSHING	FM-GPW-9154	WO-A-1265	0304
E	COVER	FM-GPW-9149	WO-A-1258	0306B
F	GASKET	FM-GPW-9160	WO-A-1259	0306B
G	GASKET	FM-GPW-9186	WO-A-1260	0306B
H	STRAINER—UNIT	FM-GPW-9140-A	WO-A-1261	0306B
J	SPRING	FM-GPW-9182	WO-A-1262	0306B
K	BOWL	FM-GPW-9162	WO-A-1263	0306B
L	PLUG	FM-GPW-9185	WO-A-1264	0306B

RA PD 342239

FIGURE 03-5—FUEL STRAINER ASSEMBLY—EXPLODED VIEW

GROUP 04—EXHAUST (Cont'd)

Figure Number	Official Stock Number	Piece Mark or Part Number		ITEM	Quant. Req'd. per Unit Assy.	Unit Price
		Ford No.	Willlys No.			
Col. 1	Col. 2	Col. 3	Col. 4	Col. 5	Col. 6	Col. 7
0401—MUFFLER AND EXHAUST PIPE (Cont'd) (Round Type and Oval Type)						
04-1	3320-GPW-5270	FM-GPW-5270	WO-636004	CLAMP, exhaust pipe to muffler.	1	.0658
04-1		FM-20407-S7	WO-53131	BOLT, hex-hd., S, cd-pltd., $\frac{5}{16}$ -24NF-2 x 1 $\frac{1}{2}$.	1	
04-1	G166-0314832	FM-33798-S7	WO-A-1532	NUT, reg, hex, S, cd-pltd., $\frac{5}{16}$ -24NF-2.	1	
04-1	H001-7027511	FM-34806-S7	WO-51833	WASHER, lock, S, cd-pltd., SAE std., $\frac{5}{16}$ in.	1	
		FM-34706-S2	WO-5437	WASHER, plain, S, US std., $\frac{5}{16}$ in.	1	
04-1	3320-GPW-5298	FM-GPW-5298	WO-A-6119	CLAMP, muffler tail pipe.	1	.108
		FM-20407-S7	WO-53131	BOLT, hex-hd., S, cd-pltd., $\frac{5}{16}$ -24NF-2 x 1 $\frac{1}{2}$ (GM-123499)	1	
	G166-0314832	FM-33798-S7	WO-A-1532	NUT, reg, hex, S, cd-pltd., $\frac{5}{16}$ -24NF-2.	1	
	H001-7025711	FM-34806-S7	WO-51833	WASHER, lock, S, cd-pltd., SAE std., $\frac{5}{16}$ in.	1	
		FM-34706-S2	WO-5437	WASHER, plain, flat, S, US std., $\frac{5}{16}$ in.	1	
04-1	3320-GPW-5264-B	FM-GPW-5264-B	WO-A-5753	CLAMP, support, oval type muffler.	1	.163
		FM-20467-S2	WO-51658	BOLT, hex-hd., S, $\frac{5}{16}$ -24NF-2 x 1 $\frac{1}{2}$.	2	
		FM-33798-S7	WO-A-1532	NUT, reg, hex, S, cd-pltd., $\frac{5}{16}$ -24NF-2.	2	
		FM-34806-S7	WO-51833	WASHER, lock, S, cd-pltd., SAE std., $\frac{5}{16}$ in.	2	
		FM-GPW-5264		CLAMP, support, round type muffler (superseded by CLAMP, FM-GPW-5264-A, WO-A-655).	1	
04-1	3320-GPW-5264-A	FM-GPW-5264-A	WO-A-655	CLAMP, support, round type muffler (supersedes CLAMP, FM-GPW-5264).	1	.105
		FM-GPW-5269	WO-630526	FLANGE, exhaust pipe (Willlys only).	1	
			WO-6486	BOLT, hex-hd., s-fin, alloy-S, $\frac{3}{8}$ -16NC-2 x 2 $\frac{1}{4}$ (GM-106333).	1	
			WO-53289	NUT, hex, S, Secz-Pruf, $\frac{3}{8}$ -16NC-2.	1	
			WO-5010	WASHER, lock, reg, S, $\frac{5}{16}$ in.	1	
04-1	3320-GPW-9450	FM-34807-S2	WO-634814	GASKET, exhaust pipe flange (also in GASKET SET, FM-GPW-18387, WO-A-1537).	1	.008
04-1	3320-GPW-5283	FM-GPW-5283	WO-A-658	INSULATOR, muffler support.	2	.0072
		FM-23498-S2	WO-52372	BOLT, carriage, sq-shank, rd-hd., S, $\frac{5}{16}$ -18NC-2 x 1 $\frac{3}{4}$ (w/NUT) (to support strap and body sill).	1	
04-1		FM-24367-S2	WO-50929	BOLT, hex-hd., S, $\frac{5}{16}$ -24NF-2 x $\frac{1}{2}$ (to support strap and body sill).	3	
	G166-0314832	FM-33798-S7	WO-A-1532	NUT, reg, hex, S, cd-pltd., $\frac{5}{16}$ -24NF-2.	3	
	H001-7025711	FM-34806-S7	WO-51833	WASHER, lock, S, cd-pltd., SAE std., $\frac{5}{16}$ in.	4	
		FM-GPW-5230		MUFFLER, assembly (round type) (superseded by MUFFLER, assembly, FM-GPW-5230-A, WO-A-1146) (Note 1).	1	
	3320-GPW-5230-A	FM-GPW-5230-A	WO-A-1146	MUFFLER, assembly (round type) (supersedes MUFFLER, assembly FM-GPW-5230) (Note 1).	1	
04-1	3320-GPW-5230-B	FM-GPW-5230-B	WO-A-6118	MUFFLER, assembly (oval type).	1	1.71

Note 1—MUFFLER, assembly, FM-GPW-5230-B, WO-A-6118 (oval type) can be used to replace MUFFLER, assembly, FM-GPW-5230 and FM-GPW-5230-A, WO-A-1146 (round type) by using CLAMPS, FM-GPW-5264-B, WO-A-5733 and FM-GPW-5298, WO-A-6119 with the former.

WO-53285	FM-355982-S	H001-7025711	NUT, hex., S., $\frac{5}{16}$ -24NPF-2.....	1	.163
WO-51833	FM-34806-S7		WASHER, lock, reg., S., $\frac{5}{16}$ in.....	1	
WO-52274			WASHER, plain, S., $\frac{5}{16}$ in.....	1	
WO-A-5753	FM-GPW-5264-B	3320-GPW-5264-B	CLAMP, muffler, rear.....	1	
WO-5934	FM-24387-S7		BOLT, hex-hd., S., $\frac{5}{16}$ -24NPF-2 x 1.....	1	
WO-53285	FM-355982-S		NUT, hex., S., Seez-Pruf, $\frac{5}{16}$ -24NPF-2.....	1	
WO-51833	FM-34806-S7		WASHER, lock, reg., S., $\frac{5}{16}$ in.....	1	
WO-52274			WASHER, plain, S., $\frac{5}{16}$ in.....	1	
WO-A-9142	FM-GPW-5245-B		EXTENSION, exhaust pipe.....	1	
WO-A-658	FM-GPW-5283	3320-GPW-5283	INSULATOR, exhaust pipe extension.....	1	
WO-50929	FM-24367-S2		BOLT, hex-hd., S., $\frac{5}{16}$ -24NPF-2 x $\frac{3}{4}$	2	
WO-53285	FM-355982-S		NUT, hex., S., Seez-Pruf, $\frac{5}{16}$ -24NPF-2.....	2	
WO-51833	FM-34806-S7		WASHER, lock, S., reg., $\frac{5}{16}$ in.....	2	
WO-A-9090	FM-GPW-5230-C	H001-7025711	MUFFLER, deep mud, w/tail PIPE, assembly.....	1	
WO-A-9150	FM-GPW-5253	3320-GPW-5230-C	PIPE, exhaust, w/FLANGE, flexible CONNECTOR, and INSERT, assembly.....	1	.0072
WO-638058	FM-GPW-5274	3320-GPW-5274	PLATE, exhaust pipe extension.....	1	.0955
WO-A-657	FM-GPW-5262	3320-GPW-5262	STRAP, support, exhaust pipe extension clamp.....	1	

GROUP 05—COOLING SYSTEM

0501—RADIATOR

WO-A-1215	FM-GPW-8100-A	G503-0131549	CAP, filler, radiator, assembly (AC-846709).....	1	.407
WO-A-6942			CAP, filler, radiator, assembly (Note 1).....	1	
WO-A-1126	FM-9N-8115	H106-0103647	COCK, drain, radiator ($\frac{1}{4}$ in.) (WH-145-A) (EAT-IE-1212).....	1	.0833
	FM-GPW-8005		CORE, radiator.....	1	13.15
WO-A-1214	FM-GPW-8005-A	3320-GPW-8005-A	CORE, radiator, w/TANK and SHROUD, assembly.....	1	.0217
WO-A-1546	FM-355762-S7		BOLT, carriage, rd-hd., sq-nk., S., cd-pltd., $\frac{7}{16}$ -20NPF-2 x 1 $\frac{1}{2}$ (FORD only).....	2	
WO-A-1547	FM-34084-S7		NUT, reg., hex., s-fin., S., cd-pltd., $\frac{7}{16}$ -20NPF-2.....	4	
WO-53027	FM-34708-S7		WASHER, plain, S., cd-pltd., $\frac{7}{16}$ in.....	2	
WO-A-6941	FM-356314-S7		WASHER, lock, internal-external tooth, S., cd-pltd., $\frac{7}{16}$ in.....	2	
WO-A-1216	FM-K-7129-B	G103-1593621	CORE, radiator, w/SHROUD, assembly (Note 1).....	1	.0167
WO-A-1532	FM-GPW-8133		GASKET, radiator filler cap (AC-846732).....	1	.163
WO-51833	FM-33798-S7	H001-4167560	ROD, brace, radiator core.....	1	
WO-A-4413	FM-34806-S7	H001-7025711	NUT, reg., hex., s-fin., S., cd-pltd., $\frac{5}{16}$ -24NPF-2 (GM-103025).....	3	
	FM-GPW-8125-A		WASHER, lock, reg., S., cd-pltd., $\frac{5}{16}$ in.....	3	
			SHIM, radiator core to support bracket.....	2	.006

0501C—SURGE TANK
(Only for Vehicles Modified by FSMWO-G503-W1)

WO-A-6947			CLAMP, radiator surge tank connecting hose ($\frac{5}{8}$ in.).....	4	
WO-A-6946			HOSE, connecting, radiator surge tank tube.....	2	
WO-A-11121			PLATE, tapping, radiator surge tank.....	2	

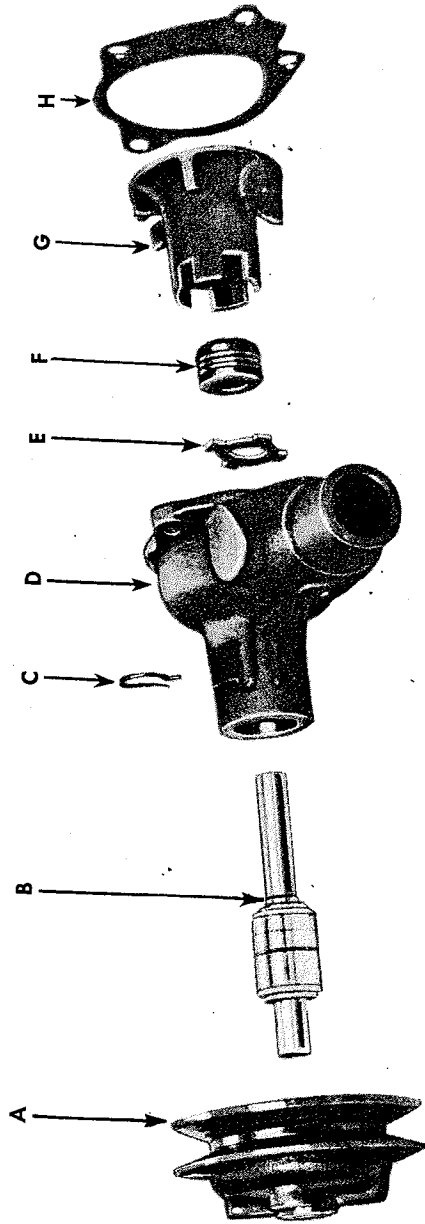
Note 1—Only for vehicles modified by FSMWO-G503-W1 (see page 3)

GROUP 05—COOLING SYSTEM

Figure Number	Official Stock Number	Piece Mark or Part Number		ITEM	Quant. Reqd. per Unit Assy.	Unit Price
		Ford No.	Willlys No.			
Col. 1	Col. 2	Col. 3	Col. 4	Col. 5	Col. 6	Col. 7
				<p>0501C—SURGE TANK (Cont'd) (Only for Vehicles Modified by FSMWO-G503-W1)</p> <p>STRAP, mounting, radiator surge tank NUT, mach., screw, hex., S., 1/4"-28NF-2 SCREW, mach., hex-hd., S., 1/4"-28NF-2 x 5/8 WASHER, lock, reg., S., 1/4 in. SHIELD, radiator surge tank, assembly BOLT, hex-hd., S., 1/4"-20NC-2 x 5/8 BOLT, hex-hd., S., 1/4"-20NC-2 x 1 1/4 (for tapping plates) NUT, reg., hex., S., 1/4"-20NC-2 WASHER, lock, reg., S., 1/4 in. WASHER, plain, S., 1/4 in. TANK, surge, radiator, assembly TUBE, radiator surge tank</p>	2 4 4 4 1 2 2 4 6 1 1	
01-4	3320-GPW-8578	FM-GPW-8578	WO-639651	0502—THERMOSTAT	1	.0239
01-4	G503-040093	FM-GPW-8575	WO-637646	RETAINER, thermostat THERMOSTAT, assembly (HR-3108628)	1	.424
01-4, 05-1	H012-0900105	FM-GPW-8530-A	WO-636297	0503—WATER PUMP	1	
05-1	3320-GPW-8505	FM-GPW-8548	WO-640032	BEARING, water pump, w/SHAFT, assembly, FM-GPW-18515-B (superseded by BEARING, assembly, FM-GPW-8530, WO-636297)	1	
05-1	G503-0194016	FM-GPW-8505	WO-637052	BEARING, water pump, w/SHAFT, assembly (double row, annular) (ND-885141) (MRC-D2-13567) (HO-88541) (also in KIT, FM-GPW-18515-B, WO-A-6839) (supersedes BEARING, assembly, FM-GPW-8530-A)	1	
01-4, 05-1	3320-GPW-8512	FM-GPW-8512	WO-639993	BELLOWS, water pump seal	1	.0098
				BODY, water pump	1	.733
				GASKET, water pump to cylinder block (also in KIT, FM-GPW-18515-B, WO-A-6839 and GASKET SET, FM-GPW-18387, WO-A-1536)	1	1.124
				IMPELLER, water pump	1	
				KIT, repair, water pump (superseded by KIT, FM-GPW-18515-B, WO-A-6839)	1	
				KIT, repair, water pump (superseded by KIT, FM-GPW-18515-B, WO-A-6839)	1	

BUCK LEWIS MOTORS
DOUGLAS, WYOMING

RA PD 342259

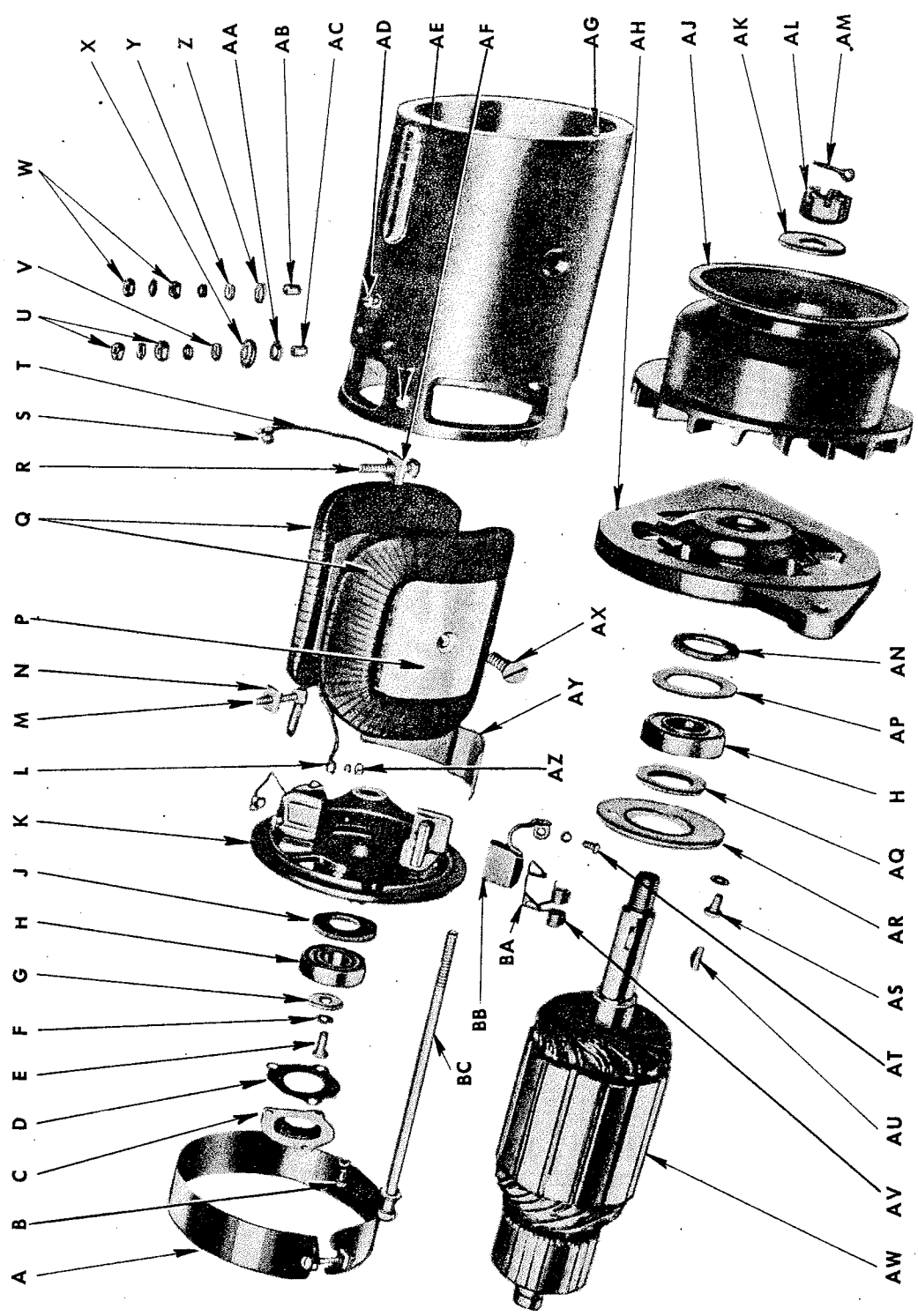


Key	Part Name	Ford Part No.	Willys Part No.	Group No.
A	PULLEY	FM-GPW-8509-A	WO-636299	.0503A
B	BEARING, w/ SHAFT, assembly	FM-GPW-8530	WO-636297	.0503
C	SPRING	FM-GPW-8576	WO-636298	.0503
D	BODY	FM-GPW-8505	WO-637052	.0503
E	WASHER	FM-GPW-8557-A	WO-640034	.0503
F	SEAL, assembly	FM-GPW-8524-A	WO-640031	.0503
G	IMPELLER	FM-GPW-8512	WO-639993	.0503
H	GASKET	FM-GPW-8543	WO-637053	.0503

FIGURE 05-1—WATER PUMP ASSEMBLY—EXPLODED VIEW

GROUP 05—COOLING

Figure Number	Official Stock Number	Piece Mark or Part Number		ITEM	Quant. Reqd. per Unit Assy.	Unit Price
		Ford No.	Willlys No.			
Col. 1	Col. 2	Col. 3	Col. 4	Col. 5	Col. 6	Col. 7
	3320-GWP-18515-B	FM-GPW-18515-B	WO-A-6839	0503—WATER PUMP (Cont'd) KIT, repair, water pump (supersedes KIT, FM-GPW-18515, WO-A-1539).....	1	1.124
		FM-GPW-8530	WO-636297	(Consists of: 1 BEARING, w/SHAFT, assembly		
		FM-GPW-8543	WO-637053	1 GASKET, pump to block		
		FM-GPW-8524-A	WO-640031	1 SEAL, assembly		
		FM-GPW-8576	WO-636298	1 SPRING, retaining, bearing		
		FM-GPW-8557-A	WO-640034	1 WASHER, seal)		
		FM-GPW-18515-C	WO-A-8774	KIT, repair, water pump seal.....	1	
				(Consists of: 1 GASKET, pump to block		
		FM-GPW-8543	WO-637053	1 SEAL, assembly		
		FM-GPW-8524-A	WO-640031	1 SPRING, retaining, bearing		
		FM-GPW-8576	WO-636298	1 WASHER, seal)		
		FM-GPW-8557-A	WO-640034	PUMP, water, assembly.....	1	4.855
	G503-0345896	FM-GPW-8501	WO-639992	BOLT, hex-hd., S, 5/16-18NC-2 x 7/8.....	3	.0125
	H001-1013018	FM-20366-S	WO-6428	BOLT, hex-hd., S, 5/16-18NC-2 x 2 1/2.....	1	
	H001-7025711	FM-355442-S2	WO-51858	WASHER, lock, S, cd-pltd, SAE std., 5/16 in.....	4	
	3320-GPW-8524	FM-34806-S7	WO-51833	SEAL, water pump, assembly (superseded by SEAL, assembly, FM-GPW-8524-A, WO-640031).....	1	.163
01-4, 05-1	3320-GPW-8524-A	FM-GPW-8524-A	WO-640031	SEAL, water pump, assembly (also in KIT, FM-GPW-18515-B; KIT, WO-A-6839; FM-GPW-18515-C, WO-A-8774) (supersedes SEAL, assembly, FM-GPW-8524, WO-639663).....	1	
05-1	3320-GPW-8576	FM-GPW-8576	WO-636298	SPRING, retaining, water pump bearing (also in KITS, FM-GPW-18515-B, WO-A-6839; FM-GPW-18515-C, WO-A-8774).....	1	
		FM-GPW-8572-B	WO-640033	SPRING, water pump seal.....	1	
		FM-GPW-8557	WO-640034	WASHER, water pump seal (superseded by WASHER, FM-GPW-8557-A, WO-640034)	1	
01-4, 5	3320-GPW-8557-A	FM-GPW-8557-A	WO-640034	WASHER, water pump seal (also in KITS, FM-GPW-18515-B, WO-A-6839; FM-GPW-18515-C, WO-A-8774) (supersedes WASHER, FM-GPW-8557).....	1	
				0503A—FAN AND PULLEYS		
01-2, 4	G503-7036577	FM-GPW-8600	WO-A-447	FAN, assembly (HI-88632).....	1	.472
	H001-0121668	FM-20324-S2	WO-52168	BOLT, hex-hd., S, 1/4-20NC-2 x 5/8.....	4	
	G085-2102323	FM-34805-S2	WO-52706	WASHER, lock, S, SAE std., 1/4 in.....	4	
	3320-GPW-8509-A	FM-GPW-8509-A	WO-636299	PULLEY, fan and water pump.....	1	.424
01-5	3320-GPWS-8509	FM-GPW-8509		PULLEY, fan and water pump (Note 1).....	1	



RA PD 342244

FIGURE 06-1—GENERATOR ASSEMBLY (BEARING TYPE)—EXPLODED VIEW

Key	Part Name	Ford Part No.	Willis Part No.	Group Number	Key	Part Name	Ford Part No.	Willis Part No.	Group Number
A	BAND	FM-GPW-10142	WO-A-1649	0601	AC	BUSHING	FM-GPW-10206-B	WO-A-1598	0601
B	SCREW	FM-31588-S7	WO-A-1636	0601	AD	SCREW	FM-36800-S7	WO-A-6297	0601
C	COVER	FM-GPW-10118	WO-A-1626	0601	AE	SCREW	FM-36009-S7	WO-A-1618	0601
D	GASKET	FM-GPW-10119	WO-A-1625	0601	AF	INSULATOR	FM-GPW-10202-C	WO-A-1594	0601
E	BOLT	FM-355260-S7	WO-A-1623	0601	AG	PIN	FM-GPW-10088	WO-A-1609	0601
F	WASHER	FM-34805-S2	WO-A-52706	0601	AH	HEAD, assembly	FM-GPW-10138	WO-A-6300	0601
G	WASHER	FM-356208-S7	WO-A-1621	0601	AJ	PULLEY, assembly	FM-GPW-10061	WO-A-1639	0601
H	BEARING	FM-GPW-10094	WO-A-6299	0601	AK	WASHER	FM-GPW-10134	WO-A-1638	0601
J	WASHER	FM-GPW-10116	WO-A-1624	0601	AL	NUT	FM-34032-S7	WO-A-1640	0601
K	HEAD, assembly	FM-GPW-10050	WO-A-6298	0601	AM	PIN	FM-72034-S	WO-A-1642	0601
L	TERMINAL		WO-A-1608	0601	AN	WASHER	FM-GPW-10212	WO-A-1646	0601
M	POST	FM-GPW-10211-B	WO-A-1605	0601	AP	GUARD	FM-GPW-10124	WO-A-1622	0601
N	WASHER	FM-GPW-10208-B		0601	AQ	WASHER	FM-78-10212-A	WO-A-1644	0601
P	POLE PIECE	FM-GPW-10041	WO-A-1600	0601	AR	RETAINER	FM-GPW-10098	WO-106313	0601
Q	COIL, assembly	FM-GPW-10175	WO-A-1604	0601	AS	SCREW	FM-36800-S	WO-A-1647	0601
R	POST	FM-GPW-10211-A	WO-A-1602	0601	AT	SCREW	FM-26457-S7	WO-52131	0601
S	TERMINAL	FM-GPW-10216	WO-A-1603	0601	AU	KEY	FM-74144-S	WO-A-1641	0601
T	LEAD, assembly	FM-GPW-10100	WO-A-1601	0601	AV	SPRING	FM-GPW-10057	WO-A-1628	0601
U	NUT	FM-355883-S7	WO-A-1611	0601	AW	ARMATURE	FM-GPW-10005	WO-A-1637	0601
V	WASHER	FM-356264-S7	WO-A-1616	0601	AX	SCREW	FM-355486-S7	WO-A-1596	0601
W	NUT	FM-350853-S7	WO-A-1617	0601	AY	INSULATOR	FM-01A-10193	WO-A-1592	0601
X	WASHER	FM-GPW-10208-A	WO-A-1597	0601	AZ	NUT	FM-34051-S7	WO-52615	0601
Y	WASHER	FM-34703-S7	WO-A-1615	0601	BA	ARM	FM-GPW-10105	WO-A-1629	0601
Z	WASHER	FM-GPW-10202-A	WO-A-1593	0601	BB	BRUSH	FM-GPW-10069	WO-A-1630	0601
AA	INSULATOR	FM-GPW-10202-B	WO-A-1591	0601	BC	SCREW	FM-GPW-10120	WO-A-1590	0601
AB	BUSHING	FM-GPW-10206-A	WO-A-1599	0601					

GROUP 06—ELECTRICAL (Cont'd)

Figure Number	Official Stock Number	Piece Mark or Part Number		I T E M	Quant. Reqd. per Unit Assy.	Unit Price	
		Ford No.	Willys No.				
Col. 1	Col. 2	Col. 3	Col. 4	Col. 5	Col. 6	Col. 7	
06-1, 2	G116-0400320	FM-GPW-10069	WO-A-1630	0601—GENERATOR (BALL TYPE BEARING) (Cont'd) (See also Group 0601-1 and Group 0601-2)	2	.0567	
06-1, 2	H001-5147511	FM-26457-S7	WO-52131		BRUSH, generator (AL-GCE-1012)	2	
06-2	H001-1518004	FM-34802-S2	WO-52705		SCREW, mach., rd-hd., S, cd-pltd., No. 8 (0.164) 32NC-2 x 1/4	2	
	2980-GCE-2012S	FM-GPW-18274	WO-A-1651		WASHER, lock, reg., S, No. 8	2	
					BRUSH SET, generator (AL-GCE-2012S)	1	
					(Consists of:		
					2 BRUSH		
06-1, 2	G121-0127843	FM-GPW-10069	WO-A-1630		BUSHING, insulating, generator armature terminal (0.250 x 0.312 x 5/16) (AL-GCT-25)	1	
		FM-GPW-10206-B	WO-A-1598		(Note 2)		
06-1, 2	G121-0442942	FM-GPW-10206-A	WO-A-1599		BUSHING, insulating, generator field terminal (0.263 x 0.305 x 5/16) (AL-GCY-25)	1	.008
06-1, 2	G121-0139650	FM-GPW-10175	WO-A-1604	(Note 2)			
	G121-0139660	FM-GPW-10192	WO-A-1606	COIL, field, generator, left and right, assembly (AL-GEB-1005A) (Note 2)	1		
	G121-0139665	FM-GPW-10191	WO-A-1607	COIL, field, generator, left, assembly (AL-GEB-1007A)	1		
06-1	H001-5127331	FM-GPW-10118	WO-A-1626	COIL, field, generator, right, assembly (AL-GEB-1008B)	1		
06-1	H001-7025621	FM-31588-S7	WO-A-1636	COVER, generator commutator end cap (AL-GBJ-32A)	1		
	G121-0193758	FM-GPW-10119	WO-A-1625	SCREW, mach., oval-fil-hd., S, cd-pltd., No. 10 (0.190) 32NF-2 x 5/16 (AL-8X-870)	3		
	G503-0196299			(Note 1)	3		
06-1	G121-0205450	FM-GPW-10124	WO-A-1622	WASHER, lock, reg., S, cd-pltd., No. 10 (0.190) (AL-12X-544)	3		
	2980-GCE-2118	FM-GPW-10050	WO-A-1627	GASKET, generator commutator end cap cover (AL-GBJ-25) (Note 1)	1	.0026	
				GENERATOR, assembly (AL-GEG-5001) (superseded by GENERATOR, assembly, FM-GPW-10000-A3, WO-A-10048) (Group 0601-1)	1		
06-1, 2	G121-0205450	FM-GPW-10124	WO-A-1627	GENERATOR, assembly (AL-GEG-5002D) (superseded by GENERATOR, assembly, FM-GPW-10000-A3, WO-A-10048) (Group 0601-1)	1	14.71	
06-1	2980-GCE-1125	FM-GPW-10138	WO-A-6298	FM-GPW-10000-A3, WO-A-10048) (superseded by GENERATOR, assembly, FM-GPW-10000-A3, WO-A-10048) (Group 0601-1)	1		
				GENERATOR, assembly (AL-GEG-5002D) (superseded by GENERATOR, assembly, FM-GPW-10000-A3, WO-A-10048) (Group 0601-1)	1		
				GUARD, cil, generator (flat, S, 0.986 I.D. x 1.570 O.D. x 0.020 thk.) (AL-DA-39)	1		
				HEAD, generator, commutator end, assembly (superseded by HEAD, assembly, FM-GPW-10050, WO-A-6298)	1		
				HEAD, generator, commutator end, assembly (superseded by HEAD, assembly, assembly, WO-A-1627)	1	1.482	
				HEAD, generator, drive end, assembly (superseded by HEAD, assembly, FM-GPW-10138, WO-A-6300)	1		
06-1, 2	2980-GCE-1125	FM-GPW-10138	WO-A-6300	HEAD, generator, drive end, assembly (AL-GCE-2118) (supersedes HEAD, assembly, WO-A-1643)	1	1.694	
				HEAD, generator, drive end, assembly (superseded by HEAD, assembly, FM-GPW-10138, WO-A-6300)	1		
06-1, 2	G121-0382182	FM-GPW-10139	WO-A-6301	HEAD, generator, drive end (AL-GCE-125)	1		
	H001-7025711	FM-34806-S7	WO-A-1590	SCREW, generator head (AL-DK-23)	2	.0534	
06-1, 2	G121-0232700	FM-01A-10193	WO-A-1592	WASHER, lock, reg., S, cd-pltd., 5/16 in.	2		
				INSULATOR, generator field connection (AL-GAL-44) (Note 2)	1		

06-1, 2	G121-0232740	FM-GPW-10202-C	WO-A-1594	INSULATOR, generator armature terminal post, inner (AL-GBW-66) (Note 2).....	1
06-1, 2	G121-0232730	FM-GPW-10202-B	WO-A-1591	INSULATOR, generator armature terminal post, top (1 1/4" x 3/4" x 0.062) (AL-GAA-32) (Note 2).....	1
06-1, 2	G121-0232750	FM-GPW-10208-A		INSULATOR, generator field terminal post, inner (AL-GBW-67) (Note 2).....	1
	G502-0196321	FM-GPW-18342		KIT, repair, generator field coil (superseded by KIT, FM-GPW-18342-B, WO-A-7840)	1
	G502-0196321	FM-GPW-18342-B	WO-A-7840	KIT, repair, generator field coil (AL-KIT-10A) (supersedes KIT, FM-GPW-18342).....	1
				(Consists of:	
		FM-GPW-10206-A	WO-A-1599	1 BUSHING	
		FM-GPW-10206-B	WO-A-1598	1 BUSHING	
		FM-GPW-10175	WO-A-1604	1 COIL	
		FM-01A-10193	WO-A-1592	1 INSULATOR	
		FM-GPW-10208-A	WO-A-1595	1 INSULATOR	
		FM-GPW-10202-C	WO-A-1594	1 INSULATOR (bottom)	
		FM-GPW-10202-B	WO-A-1591	1 INSULATOR (top)	
		FM-GPW-10100	WO-A-1601	1 LEAD, assembly	
		FM-34051-S7	WO-A-1610	1 NUT, ground screw	
		FM-350853-S7	WO-A-1617	2 NUT, terminal	
		FM-355883-S7	WO-A-1611	2 NUT	
		FM-36009-S7	WO-A-1618	1 SCREW, ground	
		FM-355486-S7	WO-A-1596	2 SCREW, pole	
		FM-34703-S7	WO-A-1615	1 WASHER	
		FM-34705-S2	WO-A-1616	1 WASHER, flat	
		FM-GPW-10208-A	WO-A-1597	1 WASHER, insulating	
		FM-GPW-10202-A	WO-A-1593	1 WASHER, insulating	
		FM-34803-S7	WO-52221	1 WASHER, lock	
		FM-356263-S7	WO-A-1612	1 WASHER, lock	
		FM-34801-S7	WO-A-1613	1 WASHER, lock	
		FM-GPW-18363	WO-A-6755	KIT, repair, generator (superseded by KIT, FM-GPW-18363-C, WO-A-9055).....	1
				(Consists of:	
		FM-GPW-10105	WO-A-1629	ARM, brush	
		FM-24427-S7	WO-6609	BOLT, circuit breaker to fender	
		FM-GPW-10104	WO-A-1598	BUSHING, insulating	
		FM-GPW-10206-A	WO-A-1599	BUSHING, insulating	
		FM-GPW-10119	WO-A-1625	GASKET, end cap cover	
		FM-GPW-10124	WO-A-1622	GUARD, oil, felt	
		FM-01A-10193	WO-A-1592	INSULATOR, field connection	
		FM-GPW-10208-B	WO-A-1595	INSULATOR, terminal post, bottom	
		FM-GPW-10202-B	WO-A-1591	INSULATOR, terminal post, top	
		FM-355883-S	WO-A-1611	NUT, generator armature terminal	
		FM-GPW-10211-B	WO-A-1605	POST, terminal	
		FM-GPW-10211-A	WO-A-1602	POST, terminal	
		FM-33798-S7	WO-A-6297	SCREW, No. 8, bond strap to generator	
		FM-355486-S7	WO-A-1596	SCREW, pole piece	
		FM-GPW-10057	WO-A-1628	SPRING, brush	
		FM-34703-S7	WO-A-1702	WASHER, No. 8, bond strap to generator	
		FM-GPW-10116	WO-A-1624	WASHER, felt, commutator end, inner	

Note 1—Also in KIT, FM-GPW-18363-C, WO-A-9055. Note 2—Also in KIT, FM-GPW-18342-B, WO-A-7840.

06-1, 2	G121-0382171	FM-355486-S7	WO-A-1596	SCREW, special, ck-hd., S, cd-pltd., $\frac{3}{16}$ x 0.90 (AL-GBY-38A) (Note 1)	2	
06-1, 2	G121-0342320	FM-GPW-10088	WO-A-1609	PIN, dowel, S, $\frac{1}{8}$ x $\frac{1}{16}$ (generator commutator end head) (AL-MN-21)	2	
06-1, 2		FM-GPW-10211-B	WO-A-1605	POST, generator field, terminal (No. 10 (0.190)-32NF) (AL-GEB-58)	1	.0059
06-1, 2		FM-350853-S7	WO-A-1617	NUT, mach. screw, hex., S, cd-pltd., No. 10 (0.190)-32NF (Note 1)	2	
06-1, 2		FM-34703-S7	WO-A-1702	WASHER, plain, S, cd-pltd., U. S. std., No. 10 (0.190)	1	
06-2	H001-7025621	FM-34803-S7	WO-52221	WASHER, lock, reg., S, cd-pltd., No. 10 (0.190) (Note 1)	2	.0083
06-1, 2	G121-0342310	FM-GPW-10211-A	WO-A-1602	POST, generator armature terminal (No. 14 (0.242)-24NC) (AL-GEB-27) (Note 1)	2	
06-1, 2		FM-355883-S7	WO-A-1611	NUT, mach. screw, hex., S, cd-pltd., No. 14 (0.242)-24NC (AL-8X-177) (Note 1)	1	
06-2		FM-34705-S7	WO-52702	WASHER, flat, S, cd-pltd., $\frac{1}{4}$ in. (AL-8X-361)	1	
06-1, 2		FM-356263-S7	WO-A-1612	WASHER, lock, S, cd-pltd., No. 14 (0.242) (AL-12X-193) (Note 1)	1	
06-1, 2		FM-356264-S7	WO-A-1616	WASHER, special, S, cd-pltd., 0.026 I.D. x 0.50 O.D.	1	
06-1, 2	2980-SP-484	FM-GPW-10130	WO-A-9492	PULLEY, drive, generator, w/o SPACER (AL-SP-484)	1	1.825
06-1, 2	2980-SP-484A	FM-GPW-10061	WO-A-1639	PULLEY, drive, generator, w/SPACER, assembly (AL-SP-484A)	1	
06-1, 2	H001-0518011	FM-74144-S	WO-A-1641	KEY, Woodruff, S, $\frac{1}{8}$ x $\frac{3}{8}$ (GM-103905) (AL-X-260)	1	
06-1, 2	2980-X-156	FM-34032-S7	WO-A-1640	NUT, hex., slotted, hvy., alloy-S, $\frac{1}{2}$ -20NF-2 (AL-X-156)	1	
06-1, 2	H001-0811040	FM-72034-S	WO-A-1642	PIN, cotter, split, S, $\frac{3}{8}$ x 1 (GM-103374) (AL-X-404)	1	
06-1, 2	H001-7043801	FM-GPW-10134	WO-A-1638	WASHER, S, cd-pltd., $\frac{1}{16}$ I.D. x $\frac{1}{4}$ O.D. x 0.095 thk. (AL-GEW-31)	1	
06-1, 2	G502-0367841	FM-GPW-10214	WO-109173	RETAINER, generator commutator end head felt washer	1	.0448
06-1, 2	G156-0232827	FM-GPW-10098	WO-106313	RETAINER, generator drive end bearing	1	
06-1, 2	G154-0382036	FM-GPW-10121	WO-108515	RETAINER, generator drive end head felt washer	1	
06-1, 2		FM-36009-S7	WO-A-1618	SCREW, generator ground (mach., fl-hd., S, cd-pltd., No. 6 (0.138)-32NC-2 x $\frac{3}{16}$) (AL-8X-1420) (Note 1)	1	
06-1, 2	H001-0716530	FM-34051-S7	WO-52615	NUT, mach. screw, hex., S, cd-pltd., No. 6 (0.138)-32NC-2 (Note 1)	1	
06-2	H001-7025561	FM-34801-S7	WO-A-1613	WASHER, lock, reg., S, cd-pltd., No. 6 (0.138) (AL-12X-194) (Note 1)	1	
06-1, 2	G116-1782002	FM-36800-S	WO-A-1647	SCREW, generator drive end bearing retainer (rd-hd., S, No. 10 (0.190)-32NF-2 x $\frac{3}{8}$) (AL-8X-311) (Note 2)	3	
06-2	H001-7025621	FM-34803-S7	WO-52221	WASHER, lock, S, cd-pltd., SAE std., No. 10 (0.190) (Note 1)	3	
06-1, 2	H001-4135681	FM-36800-S7	WO-A-6297	SCREW, generator ground (rd-hd., S, cd-pltd., No. 10 (0.190)-32NF-2 x $\frac{3}{8}$) (AL-8X-1368)	1	.0169
06-2	G104-1789657	FM-GPW-10035	WO-A-8842	SPACER, generator shaft (AL-GEG-31)	1	
06-1, 2	G121-0398703	FM-GPW-10057	WO-A-1628	SPRING, generator brush (AL-GCE-53)	2	
06-1, 2	G154-0398792	FM-GPW-10216	WO-A-1603	TERMINAL, generator armature lead (AL-X-847) (Willys only)	1	
06-1, 2	H001-7043681	FM-GPW-10218	WO-A-1608	TERMINAL, generator field (AL-X-959) (Willys only)	1	
06-1	G121-0442945	FM-34705-S2	WO-52702	WASHER, generator armature terminal (flat, S, $\frac{1}{4}$ in.) (AL-8X-361)	1	
06-1, 2	G121-0442946	FM-GPW-10116	WO-A-1624	WASHER, generator commutator end, inner (felt, $\frac{3}{4}$ x $1\frac{1}{16}$ x $\frac{1}{8}$) (AL-DH-7) (Note 2)	1	
06-1, 2	G121-0442946	FM-78-10212-A	WO-A-1644	WASHER, generator drive end head, inner (felt, $1\frac{1}{16}$ x $1\frac{1}{16}$ x $\frac{1}{8}$) (AL-GAU-31) (Note 2)	1	
06-1, 2	G121-0442946	FM-GPW-10212	WO-A-1646	WASHER, generator drive end head, outer (felt, $\frac{7}{8}$ x $1\frac{1}{4}$ x $\frac{1}{8}$) (AL-GT-78) (Note 2)	1	
06-1, 2	G121-0232750	FM-GPW-10208-A	WO-A-1597	WASHER, insulating, generator armature terminal, outer ($1\frac{1}{8}$ x $\frac{3}{8}$ x $\frac{1}{16}$) (AL-GC-26) (Note 2)	1	
06-1, 2	G121-0232730	FM-GPW-10202-A	WO-A-1593	WASHER, insulating, generator field terminal, outer ($1\frac{3}{8}$ x $\frac{9}{16}$ x $\frac{1}{16}$) (AL-GBW-34) (Note 2)	1	

Note 1—Also in KIT, FM-GPW-18342-B, WO-A-7840. Note 2—Also in KIT, FM-GPW-18363-C, WO-A-9055.

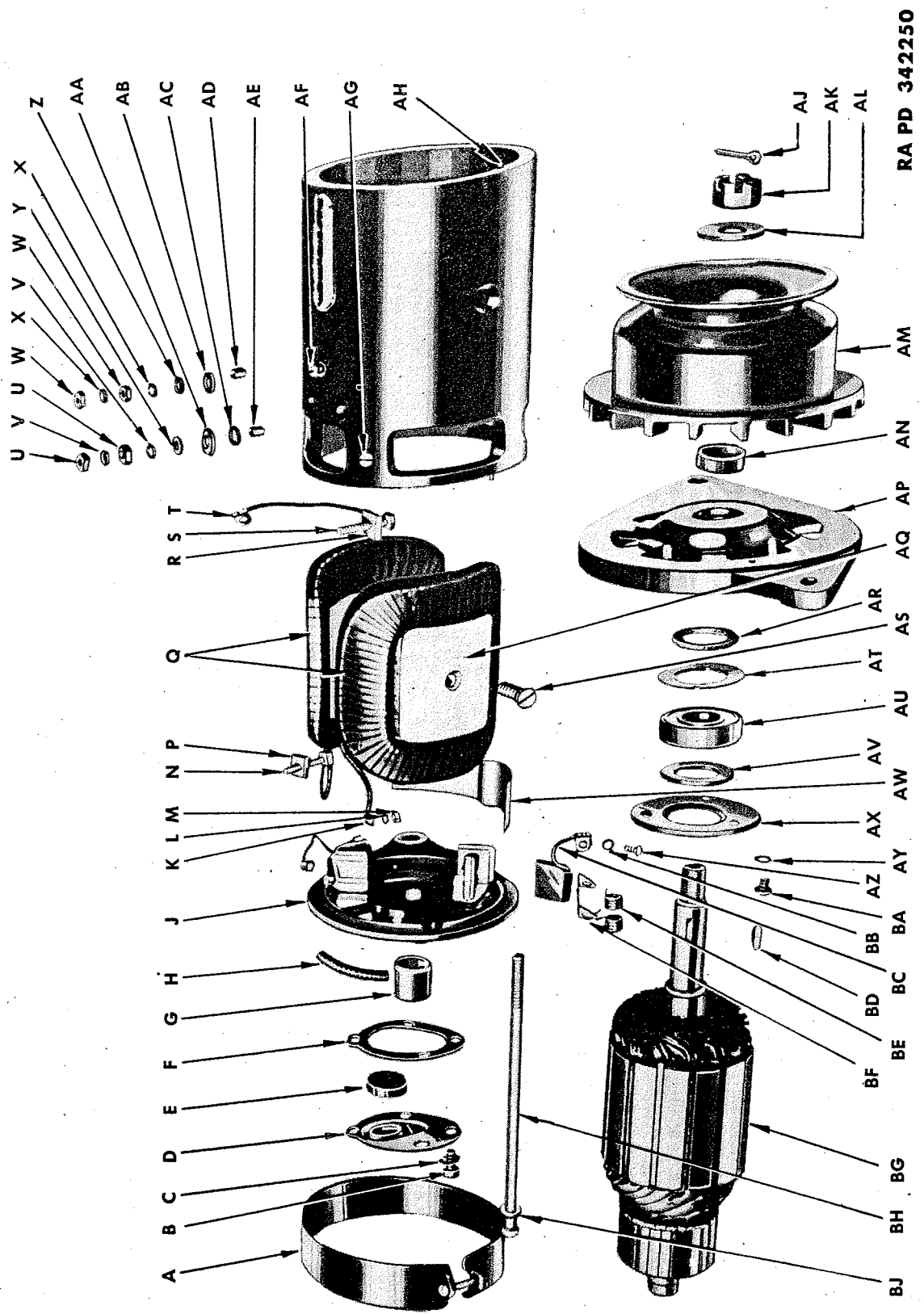


FIGURE 06-2—GENERATOR ASSEMBLY (BUSHING TYPE)—EXPLODED VIEW

Key	Part Name	Ford Part No.	Willlys Part No.	Group Number	Key	Part Name	Ford Part No.	Willlys Part No.	Group Number
A	BAND	FM-GPW-10142	WO-A-1649	0601	AF	SCREW	FM-36800-S7	WO-A-6297	0601
B	SCREW	FM-31061-S7	WO-A-7803	0601-1	AG	SCREW	FM-36009-S7	WO-A-1618	0601
C	WASHER	FM-34802-S7	WO-A-10294	0601-1	AH	PIN	FM-GPW-10088	WO-A-1609	0601
D	COVER	FM-GPW-10119-B	WO-A-10292	0601-1	AJ	PIN	FM-72034-S	WO-A-1642	0601
E	PLUG	FM-GPW-10112	WO-A-10293	0601-1	AK	NUT	FM-34032-S7	WO-A-1640	0601
F	GASKET	FM-GPW-10122	WO-A-1787	0601-1	AL	WASHER	FM-GPW-10134	WO-A-1638	0601
G	BEARING	FM-GPW-10128	WO-A-1793	0601-1	AM	PULLEY, assembly	FM-GPW-10061	WO-A-1639	0601
H	WICK	FM-GPW-10147	WO-A-1785	0601-1	AN	SPACER	FM-GPW-10035	WO-A-8842	0601
J	HEAD	FM-GPW-10129-B	WO-A-10291	0601-1	AP	HEAD	FM-GPW-10138	WO-A-6300	0601
K	TERMINAL	FM-GPW-10218	WO-A-1608	0601	AQ	POLE PIECE	FM-GPW-10041	WO-A-1600	0601
L	WASHER	FM-34801-S7	WO-A-1613	0601	AR	WASHER	FM-GPW-10212	WO-A-1646	0601
M	NUT	FM-34051-S7	WO-52615	0601	AS	SCREW	FM-355486-S7	WO-A-1596	0601
N	POST	FM-GPW-10211-B	WO-A-1605	0601	AT	GUARD	FM-GPW-10124	WO-A-1622	0601
P	INSULATOR	FM-GPW-10208-B	WO-A-1605	0601	AU	BEARING	FM-GPW-10094	WO-A-6299	0601
Q	COIL, assembly	FM-GPW-10175	WO-A-1604	0601	AV	WASHER	FM-78-10212-A	WO-A-1644	0601
R	INSULATOR	FM-GPW-10202-C	WO-A-1594	0601	AW	INSULATION	FM-01A-10193	WO-A-1592	0601
S	POST	FM-GPW-10211-A	WO-A-1602	0601	AX	RETAINER	FM-GPW-10098	WO-106313	0601
T	TERMINAL	FM-GPW-10216	WO-A-1603	0601	AY	WASHER	FM-34803-S7	WO-52221	0601
U	NUT	FM-355883-S7	WO-A-1611	0601	AZ	SCREW	FM-26457-S7	WO-52131	0601
V	WASHER	FM-356263-S7	WO-A-1612	0601	BA	SCREW	FM-36800-S	WO-A-1647	0601
W	NUT	FM-350853-S7	WO-A-1617	0601	BB	WASHER	FM-34802-S2	WO-52705	0601
X	WASHER	FM-34803-S7	WO-52221	0601	BC	BRUSH	FM-GPW-10069	WO-A-1630	0601
Y	WASHER	FM-356264-S7	WO-A-1616	0601	BD	KEY	FM-74144-S	WO-A-1641	0601
Z	WASHER	FM-34703-S7	WO-A-1615	0601	BE	SPRING	FM-GPW-10057	WO-A-1628	0601
AA	WASHER	FM-GPW-10208-A	WO-A-1597	0601	BF	ARM	FM-GPW-10105	WO-A-1629	0601
AB	WASHER	FM-GPW-10202-A	WO-A-1593	0601	BG	ARMATURE	FM-GPW-10005-B	WO-A-10295	0601-1
AC	INSULATOR	FM-GPW-10202-B	WO-A-1591	0601	BH	SCREW	FM-GPW-10120	WO-A-1590	0601
AD	BUSHING	FM-GPW-10206-A	WO-A-1599	0601	BJ	WASHER	FM-34806-S7	WO-51833	0601
AE	BUSHING	FM-GPW-10206-B	WO-A-1598	0601					

RA PD 342250A

FIGURE 06-2A—LEGEND FOR 06-2—GENERATOR ASSEMBLY (BUSHING TYPE)—EXPLODED VIEW

GROUP 06—ELECTRICAL (Cont'd)

Figure Number	Official Stock Number	Piece Mark or Part Number		ITEM	Quant. Reqd. per Unit Assy.	Unit Price	
		Ford No.	Willys No.				
Col. 1	Col. 2	Col. 3	Col. 4	Col. 5	Col. 6	Col. 7	
06-2		FM-GPW-10005-B	WO-A-10295	<p>0601-1 GENERATOR (BUSHING TYPE BEARING) (See also Group 0601-2)</p> <p>NOTE: The following parts are peculiar to WO-A-10048, FM-GPW-10000-A3, AL-GEG-5101-D GENERATOR. For the component parts of WO-A-5992, FM-GPW-10000-A, AL-GEG-5002-D GENERATOR see GROUP 0601. All parts not listed below are the same on both generators and will be found in GROUP 0601.</p> <p>ARMATURE, generator, assembly (AL-GEG-2134-F)</p> <p>BEARING, generator commutator end (absorbent bz., 0.626 x 0.745 x 0.968) (AL-GBF-79)</p> <p>COVER, generator commutator end, w/PLUG, assembly (AL-GEG-1030)</p> <p>SCREW, mach., fl-hd., S., cd-pltd., No. 8 (0.164)-32NC-2 x 3/16 (AL-8X-888) (Note 3)</p> <p>WASHER, lock, reg., S., cd-pltd., No. 8 (0.164) (Note 3)</p> <p>COVER, wick, generator commutator end (AL-GAR-98-A) (Note 3)</p> <p>GASKET, cover, generator commutator end (AL-GBW-69) (Note 3)</p> <p>GASKET, generator commutator end cover oil guard (AL-GBW-73) (Note 3)</p> <p>GENERATOR, assembly (AL-GEG-5101)</p> <p>GUARD, oil, generator commutator end cover (AL-GBW-72) (Note 3)</p> <p>HEAD, generator commutator end, assembly (AL-GCE-1133-A)</p> <p>INSULATOR, generator armature terminal post, outer (AL-MAK-49)</p> <p>KIT, repair, generator (AL-KIT-119)</p> <p>(Consists of:</p> <p>1 BRUSH SET, generator</p> <p>1 COVER, oil wick</p> <p>1 GASKET, cover</p> <p>1 GASKET, oil retaining</p> <p>1 GUARD, oil</p> <p>1 NUT, cover band screw</p> <p>1 PLUG, commutator end cover (felt)</p> <p>2 SCREW, brush lead</p> <p>4 SCREW, commutator end cover</p> <p>3 SCREW, drive end bearing retainer</p> <p>1 SCREW, head band</p> <p>2 SPRING, generator brush</p> <p>1 WASHER, generator drive end head, inner (felt)</p> <p>1 WASHER, generator drive end head, outer (felt)</p>	1		
06-2	H012-1900060	FM-GPW-10128	WO-A-1793				
06-2		FM-GPW-10119-B	WO-A-10292				
06-2	H001-5125821	FM-31061-S7	WO-A-7803				
06-2		FM-34802-S7	WO-A-10294				
06-2	H001-7025591	FM-GPW-10087	WO-A-1786				
06-2	F227-0113360	FM-GPW-10122	WO-A-1787				
06-2	G085-1100877	FM-GPW-10086	WO-A-1789				
01-2	G085-1100878	FM-GPW-10000-A3	WO-A-10048				
		FM-GPW-10082	WO-A-1788				
06-2	G085-1305451	FM-GPW-10129-B	WO-A-10291				
		FM-GPW-18363-D	WO-A-15485				
	2980-KIT-119		WO-A-10369				
		FM-GPW-18274	WO-A-1651				
		FM-GPW-10087	WO-A-1786				
		FM-GPW-10122	WO-A-1787				
		FM-GPW-10086	WO-A-1789				
		FM-GPW-10082	WO-A-1788				
		FM-34141-S7	WO-A-1589				
		FM-GPW-10112	WO-A-10293				
		FM-26457-S7	WO-A-1632				
		FM-31061-S7	WO-A-7803				
		FM-36800-S7	WO-A-1647				
		FM-27161-S7	WO-A-1650				
		FM-GPW-10057	WO-A-1628				
		FM-78-10212-A	WO-A-1644				
		FM-GPW-10212	WO-A-1646				

GROUP 06—ELECTRICAL (Cont'd)

Figure Number Col. 1	Official Stock Number Col. 2	Piece Mark or Part Number		ITEM Col. 5	Quant. Reqd. per Unit Assy. Col. 6	Unit Price Col. 7
		Ford No. Col. 3	Willys No. Col. 4			
	3320-GPA-18363-B	FM-81A-10208 FM-GPA-18363-B		0601-2—GENERATOR (12 VOLT) (Cont'd)	1	
		FM-19-B-10070-B FM-19-B-10116 FM-19-B-10119 FM-74175-S7 FM-34039-S FM-34141-S FM-19-B-10212 FM-19-B-10122 FM-19-B-10214 FM-99-B-10121 FM-31578-S8 FM-27161-S FM-355157-S FM-99B-10057 FM-2GAS-10117 FM-34803-S7 FM-34803-S7 FM-GPA-18342		INSULATOR, generator terminal screw, inner (Note 2) KIT, repair, generator (Consists of: 2 BRUSH, generator, assembly 2 GASKET, bearing cap 1 GASKET, end plate 1 KEY, Woodruff 1 NUT, armature shaft 1 NUT, cover band screw 1 OIL SEAL, commutator end, inner 1 OIL SEAL, drive end, outer 1 RETAINER, oil seal, inner 2 RETAINER, oil seal, outer 2 SCREW, generator brush 1 SCREW, cover band 3 SCREW, end plate 2 SPRING, brush 1 STOP, generator bearing 2 WASHER, generator brush screw 3 WASHER, end plate screw) KIT, repair, generator field coil (Consists of: 1 BOLT, generator terminal 1 BUSHING, insulator, armature terminal 1 BUSHING, insulator, field terminal 1 COIL, field, assembly 1 INSULATOR, field coil connection 1 INSULATOR, terminal screw 2 NUT, terminal bolt 2 NUT, field and ground terminal 1 SCREW, field terminal 8 SCREW, pole piece 2 WASHER, terminal, No. 10 1 WASHER, terminal, 5/16 in. 1 WASHER, lock, terminal, No. 10 1 WASHER, lock, terminal, 3/8 in.)	1 1	
	3320-GPA-18342	FM-23454-S8 FM-2GAS-10206 FM-19B-10202 FM-GPA-10175 FM-99B-10193 FM-81A-10208 FM-33923-S8 FM-34079-S8 FM-81A-10211 FM-99B-10044 FM-34703-S8 FM-34706-S8 FM-34803-S8 FM-34806-S2			1	

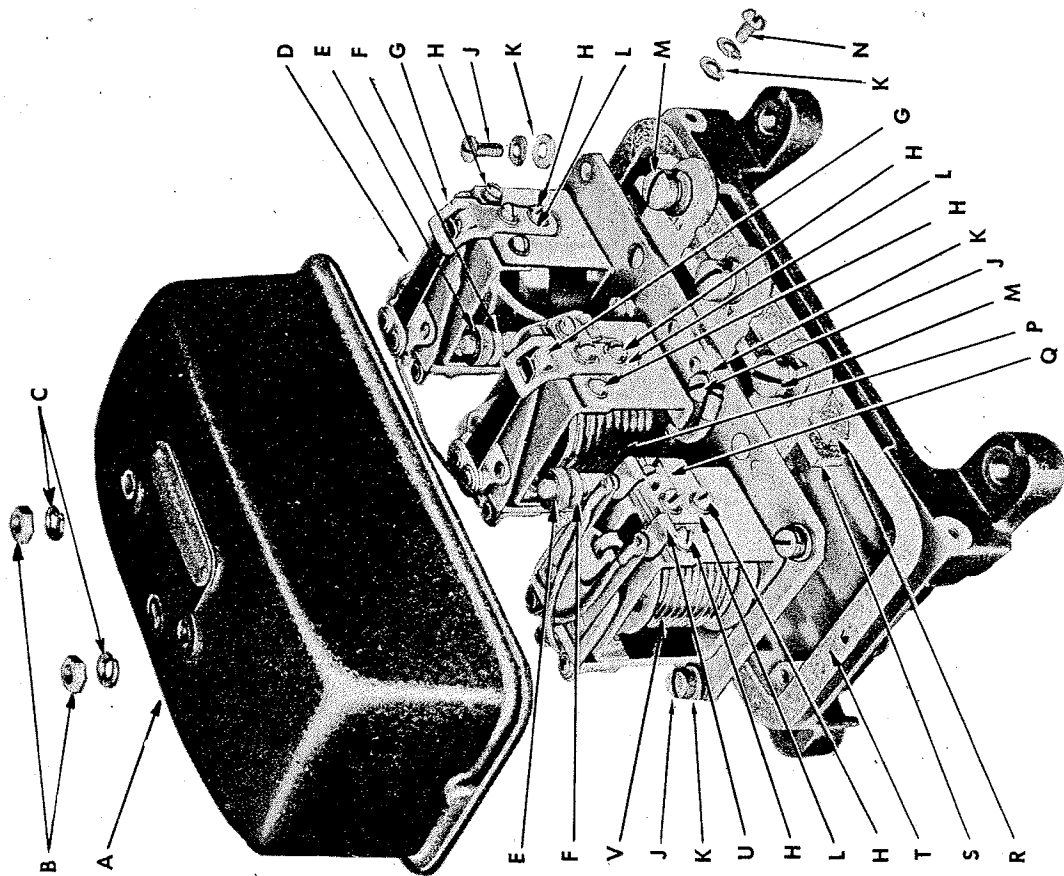
FM-19B-10212		OIL SEAL, generator commutator end, inner (Note 1)	1
FM-99B-10122		OIL SEAL, generator drive end bearing, outer (Note 1)	1
FM-99B-10041		PIECE, pole, generator	4
FM-18-10088		PIN, dowel, generator end plate	1
FM-GPA-10050		PLATE, generator commutator end, assembly	1
FM-GPA-10139		PLATE, generator drive end, assembly	1
FM-GPWS-10130		PULLEY, generator, assembly	1
FM-74175-S7		KEY, Woodruff, S, cd-pltd, $\frac{5}{8}$ x $\frac{5}{8}$ (Note 1)	1
FM-34039-S		NUT, hex, slotted, $1\frac{1}{4}$ -12NC (Note 1)	1
FM-19B-10214		RETAINER, generator commutator end oil seal, inner (Note 1)	1
FM-19B-10098		RETAINER, generator drive end bearing grease	1
FM-99B-10121		RETAINER, generator drive end bearing oil seal, outer (Note 1)	2
FM-81A-10211-A		SCREW, generator field terminal (Note 2)	1
FM-34079-S8		NUT, mach. screw, hex, S, zn-pltd, No. 10 (0.190)-32NC-2 (Note 2)	1
FM-34803-S8		WASHER, lock, reg, S, zn-pltd, No. 10 (0.190) (Note 2)	1
FM-34703-S8		WASHER, plain, S, zn-pltd, No. 10 (0.190) (Note 2)	1
FM-11A-10211-B		SCREW, generator ground terminal	1
FM-34079-S8		NUT, mach. screw, hex, S, zn-pltd, No. 10 (0.190)-32NC-2 (Note 2)	1
FM-34803-S8		WASHER, lock, reg, S, zn-pltd, No. 10 (0.190) (Note 2)	1
FM-34703-S8		WASHER, plain, S, zn-pltd, No. 10 (0.190) (Note 2)	1
FM-99B-10044		SCREW, generator pole piece (Note 2)	8
FM-GPW-10149		SPACER, generator end plate	1
FM-99B-10057		SPRING, generator brush (Note 1)	2
FM-2GAS-10117		STOP, generator commutator end bearing (Note 1)	1
0601A—GENERATOR (6 VOLT) ATTACHING PARTS (See also Group 0601A-1)			
FM-GPW-10176	WO-A-1468	BOLT, pivot, generator brace (hex-hd, S, $\frac{3}{8}$ -24NF-2 x $\frac{7}{8}$)	1
G518-7001420	WO-52542	NUT, reg, hex, S, cd-pltd, $\frac{3}{8}$ -24NF-2	1
H001-1518009	WO-5010	WASHER, lock, reg, S, $\frac{3}{8}$ in.	1
	WO-A-1399	BRACE, generator, short	1
	WO-6157	BOLT, hex-hd, S, $\frac{5}{16}$ -18NC-2 x $1\frac{1}{4}$	1
	WO-53037	NUT, reg, S, $\frac{5}{16}$ -18NC-2 (GM-118614)	1
	WO-53025	WASHER, lock, S, cd-pltd, internal, external teeth, $\frac{5}{16}$ in. (GM-178532)	1
H001-4167545	WO-A-1491	BRACE, generator, w/HANDLE, assembly	1
H001-7017655	WO-A-1470	BUSHING, locking, generator brace	1
	WO-A-1400	GUIDE, adjusting generator brace	1
	WO-6606	BOLT, hex-hd, S, cd-pltd, $\frac{3}{8}$ -24NF-2 x $1\frac{1}{2}$	1
	WO-52542	NUT, reg, hex, S, cd-pltd, $\frac{3}{8}$ -24NF-2	1
	WO-5010	WASHER, lock, reg, S, $\frac{3}{8}$ in. (GM-103321)	1
	WO-52819	WASHER, plain, S, cd-pltd, USS, $\frac{3}{8}$ in. (GM-120388)	1
	WO-A-1395	INSULATOR, generator support (rubber, $1\frac{1}{16}$ O.D. x $\frac{1}{2}$ I.D.)	1
	WO-A-1397	BOLT, hex-hd, S, cd-pltd, $\frac{5}{16}$ -24NF x $3\frac{3}{4}$	2
	WO-A-1532	NUT, reg, hex, S, cd-pltd, $\frac{5}{16}$ -24NF-2	2
	WO-51833	WASHER, lock, reg, S, cd-pltd, $\frac{5}{16}$ in. (GM-120214)	2

Note 1—Also in KIT, FM-GPA-18363-B. Note 2—Also in KIT, FM-GPA-18342.

GROUP 06—ELECTRICAL (Cont'd)

Figure Number	Official Stock Number	Piece Mark or Part Number		ITEM	Quant. Reqd. per Unit Assy.	Unit Price
		Ford No.	Willlys No.			
Col. 1	Col. 2	Col. 3	Col. 4	Col. 5	Col. 6	Col. 7
		FM-356371-S7 FM-356436-S FM-GPW-10155 FM-GPW-10166 FM-355496-S FM-34807-S2	WO-A-1401 WO-A-1396 WO-A-1469 WO-A-1392 WO-633949 WO-5010	0601A—GENERATOR (6 VOLT) ATTACHING PARTS (Cont'd) INSULATOR, generator support (rubber, 1 1/8 O.D. x 1/2 I.D.) (Cont'd) WASHER, generator support insulator (3/16) WASHER, generator support (3/16) SPRING, generator brace SUPPORT, generator assembly BOLT, hex-hd., S., 3/8-16NC-2 x 7/8 WASHER, lock, reg., S., 3/8 in. (GM-103321)	2 2 1 1 2 2	.0042 .0399 .31 .0123
	H001-1518009 3320-350329-S2 3320-350341-S2 3320-350340-S2	FM-GPWS-10146-B FM-GPW-10178-A FM-GPW-6074 FM-GPW-10027 FM-GPWS-10149 FM-GPA-10166 FM-355496-S FM-34807-S FM-351373-S2		0601A-1—GENERATOR (12 VOLT) ATTACHING PARTS (Only for vehicles modified by MWO ORD G503-W7) BOLT, generator brace to bracket BOLT, mounting, generator, front BOLT, mounting, generator, rear BRACE, generator BRACKET, generator brace INSULATOR, generator support NUT, special, shoulder, 7/16-20 (generator mounting bolt) SPACER, generator brace SPACER, mounting, generator front end plate SUPPORT, generator, assembly SCREW, cap, hex-hd., S., 3/8-16NC-2 x 3/8 WASHER, lock, reg., S., 3/8 in. WASHER, special, flat, 3/8 in.	1 1 1 1 1 1 2 2 1 1 1 1 2 2 2 2 2	
	3320-GPW-6074 3320-GPW-10027 3320-351373-S2	FM-GPW-10455 FM-GPW-10540 FM-GPW-10551	WO-A-7808 WO-A-7800 WO-A-7809 WO-A-7807	0601B—GENERATOR REGULATOR (6 VOLT) ARMATURE, generator current regulator, assembly (AL-VRY-1061B) (Note 1) ARMATURE, generator cut-out relay (AL-VRY-1043) (Note 2) ARMATURE, generator voltage regulator, assembly (AL-VRY-1080B) (Note 3) BRACKET, adjusting, generator current and voltage regulator coil, assembly (AL-VRA-1060) SCREW, mach, fil-hd., S., cd-pltd., No. 8 (0.164)-32NC-2 x 7/16 (AL-8X-878) (Notes 1 and 3) SCREW, mach, fil-hd., S., cd-pltd., No. 8 (0.164)-32NC-2 x 3/8 (AL-8X-888) WASHER, lock, S., No. 8 (0.164) (AL-X-195) (Notes 1 and 3) WASHER, plain, S., cd-pltd., No. 8 (0.164) (AL-8X-350) (Notes 1 and 3)	1 1 1 2 2 4 8 12 8	
06-3	G502-0110522 G502-0110523	FM-31053-S7 FM-31037-S7 FM-34842-S7 FM-34702-S7	WO-A-7802 WO-A-7803 WO-51532 WO-A-1666		2 2 2 2	
	H001-5125861 H001-5125821 H001-1518004 H001-7043591					

Note 1—Also in KIT, FM-GPW-18299, WO-A-7805. Note 2—Also in KIT, FM-GPW-18298, WO-A-7794. Note 3—Also in KIT, FM-GPW-18311, WO-A-7810.



Key	Part Name	Ford Part No.	Willlys Part No.	Group No.
A	COVER		WO-A-9042	0601B
B	NUT		WO-A-9040	0601B
C	WASHER		WO-A-9041	0601B
D	COIL, assembly		WO-A-9049	0601B
E	WASHER		WO-A-9043	0601B
F	WASHER		WO-A-1616	0601B
G	BRACKET		WO-A-7807	0601B
H	SCREW	FM-31037-S7	WO-A-7803	0601B
J	SCREW		WO-A-8993	0601B
K	WASHER		WO-A-5262	0601B
L	WASHER	FM-34702-S7	WO-A-1666	0601B
M	SCREW	FM-355427-S7	WO-A-9050	0601B
N	SCREW		WO-A-1620	0601B
P	COIL, assembly		WO-A-9051	0601B
Q	INSULATION	FM-GPW-10636	WO-A-7799	0601B
R	INSULATION		WO-A-9048	0601B
S	GASKET	FM-GPW-10564	WO-A-9047	0601B
T	GASKET	FM-GPW-10623	WO-A-9046	0601B
U	BRACKET, assembly	FM-GPW-10536	WO-A-7801	0601B
V	COIL, assembly		WO-A-9044	0601B

FIGURE 06-3—GENERATOR REGULATOR ASSEMBLY

GROUP 06—ELECTRICAL (Cont'd)

Figure Number	Official Stock Number	Piece Mark or Part Number		ITEM	Quant. Req'd. per Unit Assy.	Unit Price
		Ford No.	Willlys No.			
Col. 1	Col. 2	Col. 3	Col. 4	Col. 5	Col. 6	Col. 7
				0601B—GENERATOR REGULATOR (6 VOLT) (Cont'd)		
06-3	G502-0125856 G154-0392749	FM-GPW-10536	WO-A-8322 WO-A-7801	BRACKET, mounting, generator regulator resistance (AL-VRA-67) BRACKET, stationary, generator cut-out relay, w/CONTACT, assembly (AL-VRH-1073) (Note 2)	1 1	
	H001-5125861	FM-31053-S7	WO-A-7802	SCREW, mach., fl.-hd., S., cd.-pltd., No. 8 (0.164)-32NC-2 x 3/16 (AL-8X-878) (Note 2)	2	
	H001-5125821	FM-31037-S7	WO-A-7803	SCREW, mach., fl.-hd., S., cd.-pltd., No. 8 (0.164)-32NC-2 x 5/16 (AL-8X-888) (Note 2)	4	
06-3	H001-1518004	FM-34842-S	WO-51532	WASHER, lock, S., No. 8 (0.164) (AL-X-195) (Note 2)	6	
06-3	H001-7043591	FM-34702-S7	WO-A-1666 WO-A-9044	WASHER, plain, S., cd.-pltd., No. 8 (0.164) (AL-8X-350) (Note 2)	4	
06-3	G502-0139775		WO-A-9044	COIL, generator cut-out relay, assembly (AL-VRY-3035)	1	
06-3	G502-0139777		WO-A-9051	COIL, generator current regulator, assembly (AL-VRY-30700)	1	
	G054-1714512		WO-A-9049	COIL, generator voltage regulator, assembly (AL-VRY-3071B)	1	
	H001-7023681		WO-A-9053	COIL, generator voltage regulator, assembly (AL-VRY-3071B)	1	
	G104-1540059		WO-A-8914	NUT, hex, S., cd.-pltd., 1/4-20NC-2 (AL-8X-1055)	3	
	H001-4135681		WO-A-9052	WASHER, lock, reg., S., 1/4 in. (AL-X-535)	3	
	G154-0140096		WO-A-5260	CONNECTOR, generator regulator series coil (AL-VRA-46)	1	
06-3	H001-4167501		WO-A-9042	NUT, mach., screw, hex, S., cd.-pltd., No. 10 (0.190)-32NC-2 (AL-8X-173)	1	
06-3	H001-7023681		WO-A-9040	COVER, generator regulator (AL-VRA-1002)	1	
06-3	H001-7043681		WO-A-9041	NUT, reg., hex, S., cd.-pltd., 1/4-20NC-2 (AL-8X-163)	2	
06-3	G104-1842779		WO-A-1616	WASHER, lock, reg., S., cd.-pltd., 1/4 in. (AL-12X-199)	2	
06-3	G067-0902830	FM-GPW-10623	WO-A-9043	WASHER, plain, S., cd.-pltd., 1/4 in. (AL-8X-361)	4	
06-3	G067-0902840	FM-GPW-10584	WO-A-9046	WASHER, rubber (AL-VRA-109)	2	
06-3	G502-0232822	FM-GPW-10636	WO-A-9047	GASKET, generator regulator cover (AL-VRA-50)	1	
			WO-A-7799	GASKET, generator regulator terminal (AL-VRA-51)	1	
			WO-A-9048	INSULATION, generator regulator cut-out relay stationary bracket (AL-VRA-76) (Note 2)	1	
			WO-A-7805	INSULATION, generator regulator terminals (AL-VRA-52)	1	
06-3	G067-0903450	FM-GPW-18299	WO-A-7805	KIT, repair, generator current regulator (AL-KIT-16)	1	
			WO-A-7808	(Consists of:		
			WO-A-7796	1 ARMATURE		
			WO-A-7797	1 NUT, adjusting screw		
			WO-A-7802	1 SCREW, adjusting		
			WO-A-7806	2 SCREW, adjusting bracket		
			WO-51532	1 SPRING, armature		
			WO-A-1666	3 WASHER, lock, adjusting bracket		
				2 WASHER, plain, adjusting bracket		

GROUP 06—ELECTRICAL (Cont'd)

Figure Number	Official Stock Number	Piece Mark or Part Number		ITEM	Quant. Reqd. per Unit Assy.	Unit Price
		Ford No.	Willlys No.			
Col. 1	Col. 2	Col. 3	Col. 4	Col. 5	Col. 6	Col. 7
				0601B—GENERATOR REGULATOR (6 VOLT) (Cont'd)		
	G067-0905420		WO-A-8498	SEAL, generator regulator lead and wire (AL-GAG-138)	1	
	G067-0905600	FM-GPW-10554	WO-A-7798	SPRING, generator regulator cut-out relay (AL-VRA-17)	1	
		FM-GPW-10544	WO-A-7795	SPRING, generator current regulator and voltage regulator armature (AL-VRA-84) (Notes 1 and 3)	2	
	G067-090490	FM-GPW-10577	WO-A-7804	WASHER, insulating, cut-out relay stationary bracket (0.187 x 0.250 x 1/8 thk.) (AL-GAA-35) (Note 2)	2	
			WO-A-5262	WASHER, insulating, cut-out relay stationary bracket (1/4 x 3/8 x 1/8 thk.) (AL-X-1465) (Note 2)	2	
	H001-1518005		WO-5168	WASHER, plain, S, cd-pltd., No. 10 (0.190) (AL-8X-133A) (6 used—base mounting; 1 used—ground screw; 4 used—lead connection)	11	
06-3				WASHER, lock, S, No. 10 (0.190) (AL-X-196) (6 used—base mounting; 1 used— ground screw—lead connection)	11	
				0601B-1—GENERATOR REGULATOR (12 Volt)		
	G067-3138899			COIL, generator current regulator, assembly (AL-VRH-3008)	1	
	G502-7001048			COIL, generator cut-out relay, assembly (AL-VRH-3035)	1	
	G067-0904520			COIL, generator voltage regulator, assembly (AL-VRH-3071)	1	
	2980-VRH-50			GASKET, generator regulator cover (for water proofing) (AL-VRH-50)	1	
	G502-0367546			KIT, repair, generator current regulator (AL-KIT-28)	1	
				(Consists of:		
	G502-0139954			1 ARMATURE and CONTACT (AL-VRH-1061)		
	G067-0903910			1 NUT (AL-VRA-15)		
	G067-0904830			1 SCREW (AL-VRA-16)		
	H001-5125861			2 SCREW (AL-8X-878)		
	G067-0905420			1 SPRING (AL-VRA-17)		
	H001-1518004			2 WASHER (AL-X-195)		
	H001-7043591			2 WASHER (AL-8X-350)		
	G502-0125960			KIT, repair, generator cut-out relay (AL-KIT-27)	1	
				(Consists of:		
	G154-0392749			1 ARMATURE and CONTACT (AL-VRY-1043)		
	G067-0903910			1 BRACKET, contact (AL-VRH-1073)		
	G067-0904830			1 INSULATION (AL-VRA-23)		
				1 NUT (AL-VRA-15)		
				1 SCREW (AL-VRA-16)		
				2 SCREW (AL-8X-378)		

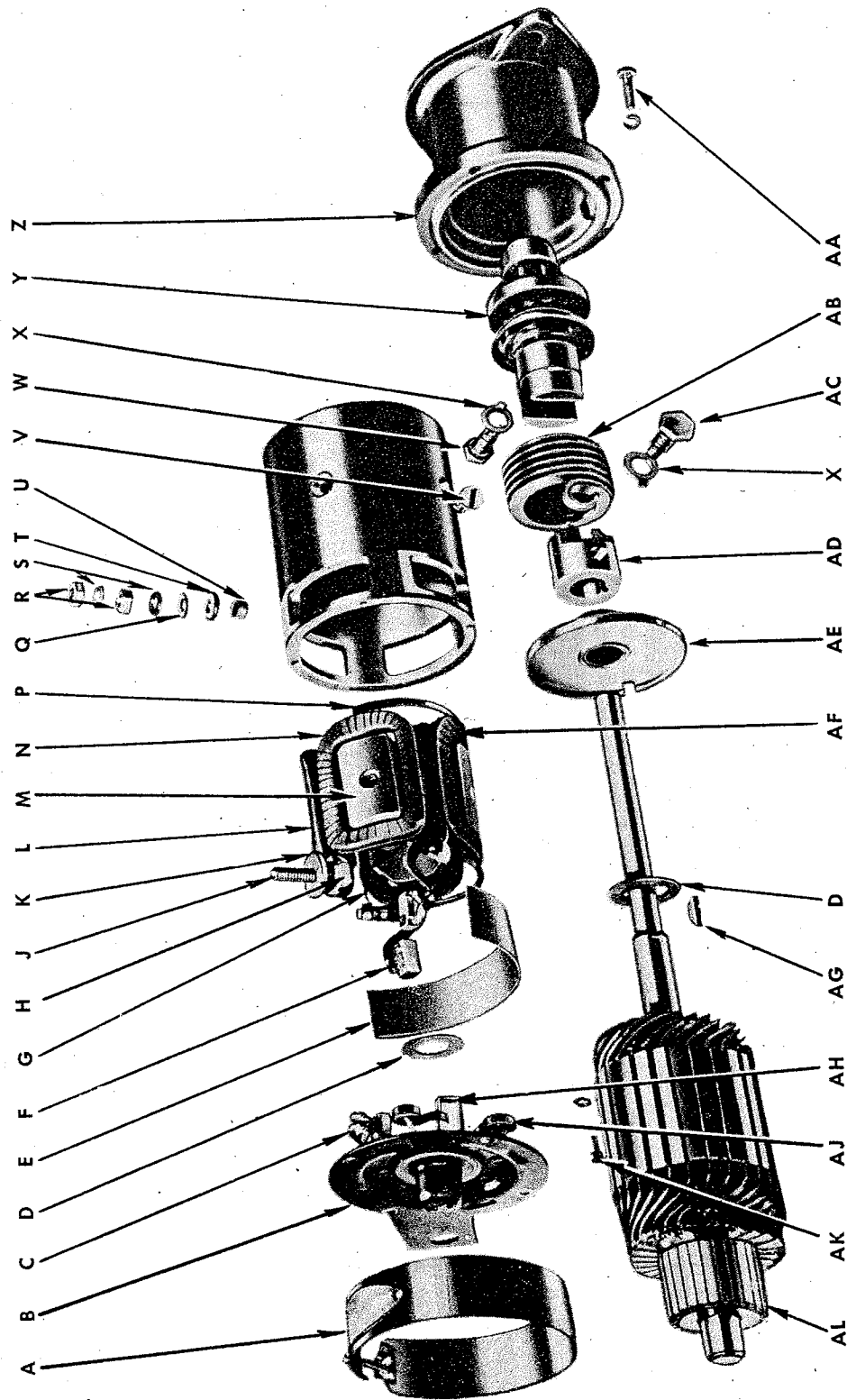


FIGURE 06-4—CRANKING MOTOR ASSEMBLY—EXPLODED VIEW

Key	Part Name	Ford Part No.	Willlys Part No.	Group No.	Key	Part Name	Ford Part No.	Willlys Part No.	Group No.
A	BAND	FM-GPW-11077	WO-109452	0602	U	BUSHING	FM-GPW-11107	WO-109436	0602
B	PLATE, assembly	FM-GPW-11049	WO-A-1566	0602	V	SCREW	FM-355485-S7	WO-A-1559	0602
C	BRUSH	FM-GPW-11056	WO-109446	0602	W	SCREW	FM-GPW-11382	WO-A-1579	0602
D	WASHER	FM-GPW-11036-B	WO-109455	0602	X	WASHER	FM-B-11379	WO-A-1574	0602
E	INSULATION	FM-GPW-11089	WO-A-1557	0602	Y	SHAFT, assembly	FM-GPW-11354	WO-A-1581	0602
F	BRUSH	FM-GPW-11055	WO-109431	0602	Z	HOUSING	FM-GPW-11131	WO-A-1585	0602
G	COIL	FM-GPW-11082	WO-A-1562	0602	AA	SCREW	FM-355164-S	WO-A-1584	0602
H	TERMINAL	FM-GPW-11102	WO-A-1554	0602	AB	SPRING	FM-GPW-11375	WO-A-1577	0602
J	POST	FM-GPW-11103	WO-109433	0602	AC	SCREW	FM-GPW-11377	WO-A-1578	0602
K	WASHER	FM-GPW-11095	WO-109437	0602	AD	HEAD	FM-B-11381	WO-A-1576	0602
L	COIL	FM-GPW-11083	WO-A-1560	0602	AE	BEARING	FM-GPW-11130	WO-A-1582	0602
M	POLE PIECE	FM-GPW-11120	WO-A-1556	0602	AF	COIL	FM-GPW-11084	WO-A-1561	0602
N	COIL	FM-GPW-11085	WO-A-1563	0602	AG	KEY	FM-74175-S	WO-5017	0602
P	CONNECTOR	FM-GPW-11090	WO-A-1558	0602	AH	HOLDER	FM-GPW-11061	WO-109442	0602
Q	WASHER	FM-34706-S2	WO-5437	0602	AJ	SPRING	FM-B-11059	WO-109445	0602
R	NUT	FM-355944-S5	WO-A-1565	0602	AK	SCREW	FM-31596-S	WO-A-1572	0602
S	WASHER	FM-34806-S7	WO-51833	0602	AL	ARMATURE, assembly	FM-GPW-11005	WO-A-1568	0602
T	WASHER	FM-GPW-11094	WO-A-1553	0602					

FIGURE 06-4A—LEGEND FOR 06-4—CRANKING MOTOR ASSEMBLY—EXPLODED VIEW

GROUP 06—ELECTRICAL (Cont'd)

Figure Number	Official Stock Number	Piece Mark or Part Number		ITEM	Quant. Req'd. per Unit Assy.	Unit Price
		Ford No.	Willys No.			
Col. 1	Col. 2	Col. 3	Col. 4	Col. 5	Col. 6	Col. 7
06-4	M001-0104161 2980-MZ-1009	FM-GPW-11082	WO-A-1562 WO-109427	<p>0602—CRANKING MOTOR (Cont'd)</p> <p>COIL, cranking motor field, lower left (superseded by COIL, WO-109427)</p> <p>COIL, cranking motor field, lower left (AL-MZ-1009) (supersedes COIL, FM-GPW-11082, WO-A-1562) (Note 2)</p> <p>COIL, cranking motor field, lower right (superseded by COIL, WO-109428)</p> <p>COIL, cranking motor field, lower right (AL-MZ-1008) (Note 2) (supersedes COIL, FM-GPW-11084, WO-A-1561)</p> <p>COIL, cranking motor field, upper left (AL-MZ-1007) (Note 2)</p> <p>COIL, cranking motor field, upper right (AL-MZ-1010) (Note 2)</p> <p>CONNECTOR, cranking motor field coil (AL-MZ-32) (Note 2)</p> <p>DRIVE, Bendix, cranking motor, assembly (AL-EBA-46)</p> <p>HEAD, cranking motor Bendix drive (AL-EB-8503)</p> <p>(also in KIT, FM-GPW-18329, WO-A-7842)</p> <p>KEY, Woodruff, S, 5/8 x 5/8 (GM-124546) (also in KIT, FM-GPW-18329, WO-A-7842)</p> <p>HOLDER, cranking motor brush (AL-MZ-16)</p> <p>HOUSING, cranking motor Bendix drive pinion, assembly (AL-PS-1079A)</p> <p>SCREW, mach., hex-hd., S, No. 10 (0.190)-32NF-2 x 3 1/2 (AL-MZ-S2) (Note 1)</p> <p>WASHER, lock, reg., S, cd-pltd., No. 10 (0.190) (Note 1)</p> <p>INSULATION, cranking motor field connection (AL-MZ-30A) (Note 2)</p> <p>KIT, repair, cranking motor</p> <p>(Consists of:</p> <p>1 BUSHING, insulating, terminal post</p> <p>1 POST, terminal</p> <p>4 SCREW, pole piece</p> <p>1 SPACER, thrust, bearing</p> <p>4 SPRING, brush</p> <p>1 TERMINAL, field coil</p> <p>1 WASHER, insulating, terminal post, inner</p> <p>1 WASHER, insulating, terminal post, outer</p> <p>2 WASHER, lock, drive spring screw</p> <p>2 WASHER, plain, terminal post</p> <p>2 WASHER, thrust, armature, commutator end)</p> <p>KIT, repair, cranking motor (AL-KIT-24)</p> <p>(Consists of:</p> <p>1 BEARING</p> <p>1 BRUSH SET</p>	1	
06-4	G505-0179571	FM-GPW-11084	WO-A-1561 WO-109428		1	
06-4	F005-0102840	FM-GPW-11083	WO-A-1560		1	
06-	M001-0104162	FM-GPW-11085	WO-A-1563		1	
06-4		FM-GPW-11090	WO-A-1558		2	
06-4	2980-EBA-46	FM-GPW-11350	WO-A-1573		1	1.47
06-4		FM-B-11381	WO-A-1576		1	
06-4	H001-0518016	FM-74175-S	WO-5017		1	
06-4	G067-0903250	FM-GPW-11061	WO-109442		2	
06-4	2980-PS-1079A	FM-GPW-11131	WO-A-1585		1	.896
06-4		FM-355164-S	WO-A-1584		1	
06-4	H001-7025621	FM-34803-S7	WO-52221		4	
06-4	G505-0365732	FM-GPW-11089	WO-A-1557		4	
		FM-GPW-18376	WO-A-6756		1	
		FM-GPW-11107	WO-109436		1	
		FM-GPW-11103	WO-109433		1	
		FM-355485-S7	WO-A-1559	4		
		FM-GPW-11053	WO-A-1569	1		
		FM-B-11059	WO-109445	4		
		FM-GPW-11102	WO-A-1554	1		
		FM-GPW-11095	WO-109437	1		
		FM-GPW-11094	WO-A-1553	1		
		FM-B-11379	WO-A-1574	2		
		FM-351355-S7	WO-A-1555	2		
		FM-GPW-11036-B	WO-109455	2		
		FM-GPW-18376-B	WO-7836	1		
	2980-KIT-24			1	.603	
		FM-GPW-11135	WO-A-1583	1		
		FM-GPW-11535	WO-A-1552	1		

GROUP 06—ELECTRICAL (Cont'd)

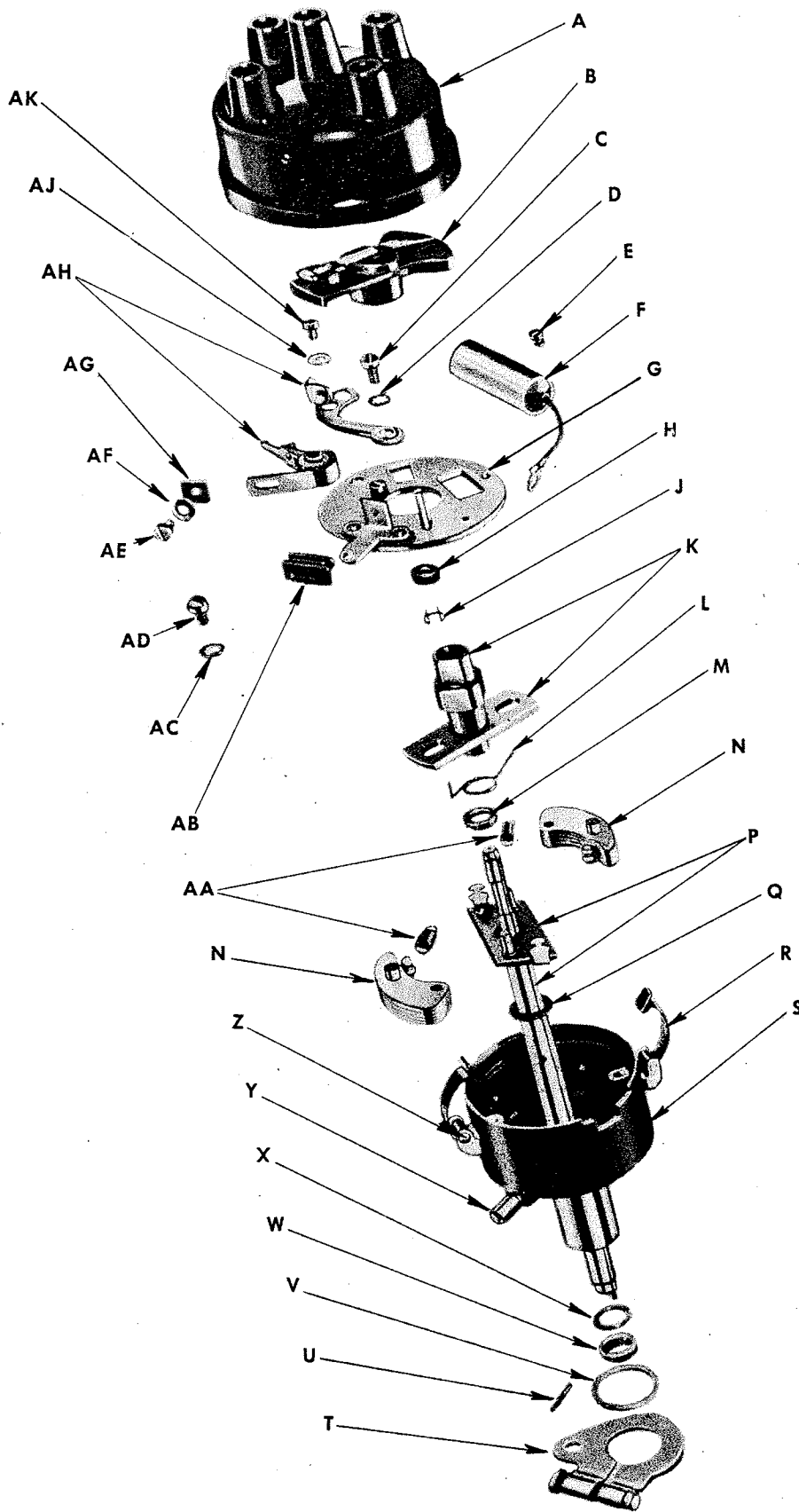
Figure Number	Official Stock Number	Piece Mark or Part Number		ITEM	Quant. Req'd. per Unit Assy.	Unit Price
		Ford No.	Willlys No.			
Col. 1	Col. 2	Col. 3	Col. 4	Col. 5	Col. 6	Col. 7
06-4	2980-MZ-2156	FM-GPW-11049	WO-A-1566	0602—CRANKING MOTOR (Cont'd)	1	.505
06-4	H001-1026463	FM-31596-S	WO-A-1572	PLATE, cranking motor, commutator end, w/grounded BRUSHES, assembly (AL-MZ-2156)	4	
06-4	H001-7025621	FM-34803-S7	WO-52221	SCREW, mach., fl-hd., S, No. 10 (0.190)-32NF-2 x 3/8 (AL-X-902) (Note 1)	4	
06-4	G067-0904430	FM-GPW-11103	WO-109433	WASHER, lock, S, cd-pltd., No. 10 (0.190)	1	
06-4	H001-7025711	FM-355944-S5	WO-A-1565	POST, terminal, cranking motor (3/16-24NF) (AL-MU-28) (Notes 2 and 3)	2	
06-4	H001-7043711	FM-34806-S7	WO-A-1619	NUT, thin, hex., S, copper plate, 3/16-24NF-2 (AL-5X-1376) (Note 2)	2	
06-4	H001-1531002	FM-351355-S7	WO-A-1555	WASHER, lock, S, cd-pltd., SAE std., 3/16 in. (Note 2)	1	
06-4	G067-0905580	FM-34706-S2	WO-A-5437	WASHER, plain, S, cd-pltd., 3/16 in. (AL-MU-37) (Notes 2 and 3)	1	.0083
06-4	2980-EB-8506	FM-B-11371	WO-A-1580	WASHER, plain, S, 3/16 in.	1	
		FM-GPW-11377	WO-A-1578	RING, take-up, cranking motor, Bendix drive (AL-EB-8734)	1	.0256
		FM-GPW-11376		SCREW, cranking motor Bendix head spring (AL-EB-8506) (also in KIT, FM-GPW-18329, WO-A-7842)	1	
06-4	2980-EB-8507	FM-GPW-11382	WO-A-1579	SCREW, cranking motor Bendix shaft spring (superseded by SCREW FM-GPW-11382, WO-A-1579)	1	
06-4	2980-EBA-4611	FM-GPW-11354	WO-A-1581	SCREW, cranking motor Bendix shaft spring (AL-EB-8507) (also in KIT, FM-GPW-18329, WO-A-7842) supersedes SCREW, FM-GPW-11378	1	.0192
		FM-B-11357-A	WO-A-1575	SHAFT, cranking motor Bendix drive, w/PINION, assembly (AL-EBA-4611)	1	1.873
06-4	2980-MZ-51	FM-GPW-11053	WO-A-1569	SLEEVE, compression, cranking motor Bendix drive (AL-EB-7819S) (also in KIT, FM-GPW-18329, WO-A-7842)	1	.0613
06-4	G067-0905570	FM-B-11059	WO-109445	SPACER, thrust, cranking motor bearing (AL-MZ-51) (Note 3)	1	.0125
		FM-GPW-11375	WO-A-1577	SPRING, cranking motor brush (AL-MZ-19) (Notes 1 and 3)	4	
		FM-GPW-11140	WO-638646	SPRING, cranking motor Bendix drive (AL-EB-8505) (also in KIT, FM-GPW-18329, WO-A-7842)	1	.0277
		FM-24388-S7	WO-51405	SUPPORT, cranking motor to block	1	
		FM-24327-S7	WO-52132	BOLT, hex-hd., s-fin., S, 3/16-16NC-2 x 7/8 (support to block) (superseded by BOLT, FM-24388-S7, WO-51405)	1	
		FM-356200-S7	WO-53026	BOLT, hex-hd., s-fin., S, cd-pltd., 3/16-16NC-2 x 1 (support to block) (supersedes (GM-106279))	2	.0026
		FM-356309-S7	WO-53025	BOLT, hex-hd., s-fin., S, cd-pltd., 3/16-16NC-2 x 1 (support to block) (supersedes (GM-106279))	1	
		FM-34706-S2	WO-5437	WASHER, lock, S, cd-pltd., internal, external teeth, 3/8 in. (FM-178551)	2	
06-4	F227-0200895	FM-GPW-11102	WO-A-1554	WASHER, plain, S, 3/16 in. (GM-106262)	1	
06-4	G067-0906730	FM-GPW-11094	WO-A-1553	TERMINAL, cranking motor field coil (AL-MU-14) (Note 2)	1	.0065
				WASHER, insulating, cranking motor terminal post, outer (AL-MAB-31) (Notes 2 and 3)	1	

GROUP 06—ELECTRICAL (Cont'd)

Figure Number	Official Stock Number	Piece Mark or Part Number		ITEM	Quant. Reqd. per Unit Assy.	Unit Price
		Ford No.	Willlys No.			
Col. 1	Col. 2	Col. 3	Col. 4	Col. 5	Col. 6	Col. 7
				0602-1—CRANKING MOTOR (12 Volt) (Cont'd)		
				KIT, repair, cranking motor field coil (Cont'd)		
		FM-GPW-11090		2 CONNECTOR, field coil		
		FM-GPA-11089		1 INSULATION		
		FM-355944-S5		2 NUT, terminal post		
		FM-GPW-11102		1 POST, terminal		
		FM-355485-S7		4 SCREW, pole piece		
		FM-GPW-11103		1 TERMINAL, field		
		FM-351355-S7		1 WASHER, flat		
		FM-GPW-11095		1 WASHER, insulation		
		FM-GPW-11094		1 WASHER, insulating		
		FM-34806-S7		2 WASHER, lock		
		FM-GPA-11001		MOTOR, cranking, assembly (includes Bendix drive) (12 volt)	1	
	G503-0295823	FM-24428-S		BOLT, hex-hd., S, $\frac{3}{16}$ -16NC-2 x $1\frac{1}{4}$ (cranking motor to rear engine plate)	2	
		FM-33798-S7		NUT, reg., hex., S, cd-pltd., $\frac{5}{16}$ -24NF-2	1	
	H001-7025711	FM-24327-S		SCREW, cap, hex-hd., S, $\frac{5}{16}$ -24NF-2 x $\frac{5}{8}$ (support to cranking motor)	1	
	H001-1518009	FM-34806-S7		WASHER, lock, reg., S, cd-pltd., $\frac{3}{8}$ in.	1	
	H001-7045561	FM-34807-S		WASHER, lock, reg., S, $\frac{3}{8}$ in.	2	
		FM-34706-S7		WASHER, plain, S, cd-pltd., $\frac{5}{8}$ in.	1	
				0603—DISTRIBUTOR (REGULAR TYPE) (See also Group 0603-1)		
06-5, 6	2980-IGS-1080	FM-GPW-12155	WO-A-1674	ARM, advance control, distributor, assembly (AL-IGS-1080)	1	.0977
06-6	G116-0400060	FM-GPW-12162	WO-A-1570	ARM, breaker, distributor, assembly (AL-IGP-3028)	1	
06-5	2980-IGS-2135	FM-GPW-12139	WO-A-1679	BASE, distributor, assembly (AL-IGS-2135)	1	1.63
06-6	G104-1518120	FM-GPW-12082	WO-A-1681	BEARING, distributor, absorbent bronze (AL-IG-579-A) (Note 1)	2	
06-5	G503-0131548	FM-GPW-12106	WO-A-1655	CAP, distributor, assembly (AL-IG-1324-D)	1	1.075
06-5, 6	G121-0137958	FM-GPW-12217	WO-A-1663	CLIP, distributor breaker arm spring (AL-IG-676) (Note 1)	1	
06-5, 6	G154-0139853	FM-GPW-12195	WO-A-1659	COLLAR, distributor drive shaft (AL-IGB-199)	1	.0652
06-5, 6	G121-0370109	FM-72867-S7	WO-A-1685	RIVET, distributor drive shaft collar (AL-SW-213) (Note 1)	1	
06-5, 6	G067-0901889	FM-GPW-12300	WO-A-1631	CONDENSER, distributor (AL-IGW-3139)	1	.261
06-5, 6		FM-31026-S7	WO-A-1670	SCREW, mach., fil.-hd., S, cd-pltd., No. 6 (0.138)-32NC-2 x $\frac{3}{8}$ (AL-8X-01546) (condenser mounting) (Note 1)	1	
06-5		FM-31583-S	WO-A-1686	SCREW, mach. fil.-hd., S, No. 10 (0.190)-32NF-2 x $\frac{1}{4}$ (condenser terminal)	1	
06-6	G116-1843059	FM-34801-S7	WO-A-1669	WASHER, lock, S, cd-pltd., No. 6 (0.138) (AL-X-1012) (Note 1)	1	
06-5	H001-7075621	FM-34803-S7	WO-52221	WASHER, lock, S, cd-pltd., No. 10 (0.190) (AL-X-196) (Note 1)	1	
06-6	G116-04000590	FM-GPW-12218	WO-A-1564	CONTACT, breaker, distributor, assembly (AL-IGC-1149)	1	

Part No.	Part Description	Quantity	Notes
01-5	G067-3140085 G503-0152015	1	COVER, distributor terminal slot (AL-IGC-117) (Note 1)
		1	DISTRIBUTOR, assembly (AL-IGC-4705) (superseded by DISTRIBUTOR, assembly, FM-GPW-12100-B, WO-A-9075) (group 0603-1)
	FM-24308-S	1	BOLT, hex-hd., S, 1/4-20NC-2 x 1/2
	FM-34805-S2	1	WASHER, lock, reg, S, 1/4 in.
	FM-34745-S2	1	WASHER, plain, S, SAE, 1/4 in.
	FM-GPW-18343	1	KIT, repair, distributor (use with Distributor, assembly, FM-GPW-12100, WO-A-1244 only)
		1	(Consists of:
	WO-A-1660	1	1 BEARING
	WO-A-1244	1	1 CLIP, breaker arm spring
	WO-51763	1	1 COVER, terminal slot
	WO-52706	1	1 OILER
	WO-52702	2	2 PIN, hinge
	WO-A-7843	1	1 PLUG (AL-IGS-32)
		1	1 RING, retaining, cam
		1	1 RIVET, drive shaft collar
		1	1 SCREW, condenser mounting
		2	2 SCREW, stationary contact
		1	1 SCREW, breaker arm spring clip
		2	2 SPRING, cap
		2	2 WASHER, lock, condenser screw
		3	3 WASHER, lock, condenser terminal
		1	1 WASHER, spacer, cam spring
		1	1 WASHER, breaker arm spring screw
		1	1 WASHER, plain, stationary contact
		1	1 WASHER, thrust, shaft upper
		1	1 WASHER, thrust, shaft, lower
		1	1 WICK
01-3, 06-5,6	G067-0903990 G121-0340306	1	OILER, distributor shaft (press-in sleeve type) (AL-X-490) (Note 1)
06-5	G121-0340277	1	PLATE, breaker, distributor, assembly (AL-IGC-2148C) (includes CONDENSER and POINT SET)
06-5	H001-5112731	1	PLATE, breaker, distributor (AL-IGC-1148)
		3	SCREW, mach., fl-hd., S, cd-pltd., No. 10 (0.190)-32NF x 5/16 (AL-SX-870) (Note 1)
06-5	H001-7025621	3	WASHER, lock, S, cd-pltd., SAE std., No. 10 (0.190)
06-5	G121-0340277	1	PLATE, distributor cam and stop (AL-IGC-1148)
06-5	G067-0904036	2	PIN, distributor cap spring hinge (AL-X-1448) (Note 1)
06-5	G067-0904329	1	PLUNGER, distributor contact spring (AL-IG-514)
	G104-1783105	1	POINT SET, distributor (AL-1GP-3028FS)
			(Consists of:
		1	1 ARM, assembly
		1	1 CONTACT
06-5, 6	G167-0903749	1	RING, retaining, distributor cam (AL-IG-680) (Note 1)
			as req.

Note 1—Also in KIT, FM-GPW-18343, WO-A-7843.



RA PD 342269

FIGURE 06-5—DISTRIBUTOR ASSEMBLY (OPEN TYPE)—EXPLODED VIEW

Key	Part Name	Ford Part No.	Willys Part No.	Group No.
A	CAP, assembly	FM-GPW-12106	WO-A-1655	0603
B	ROTOR	FM-GPW-12200	WO-A-1658	0603
C	SCREW	FM-31588-S7	WO-A-1636	0603
D	WASHER	FM-34803-S7	WO-52221	0603
E	SCREW	FM-31026-S7	WO-A-1670	0603
F	CONDENSER, assembly	FM-GPW-12300	WO-A-1631	0603
G	PLATE	FM-GPW-12010	WO-A-1664	0603
H	WICK	FM-GPW-12133	WO-A-1671	0603
J	RING	FM-GPW-12177	WO-A-1653	0603
K	PLATE, assembly	FM-GPW-12176	WO-A-1661	0603
L	SPRING	FM-GPW-12191	WO-A-1684	0603
M	WASHER	FM-GPW-12120	WO-A-1672	0603
N	WEIGHT	FM-GPW-12188	WO-A-1676	0603
P	SHAFT	FM-GPW-12178	WO-A-1678	0603
Q	WASHER	FM-GPW-12182	WO-A-1673	0603
R	SPRING	FM-GPW-12144	WO-A-1682	0603
S	BASE, assembly	FM-GPW-12139	WO-A-1679	0603
T	ARM	FM-GPW-12155	WO-A-1674	0603
U	RIVET	FM-72867-S	WO-A-1685	0603
V	WASHER	FM-GPW-12267	WO-A-1654	0603
W	COLLAR	FM-GPW-12195	WO-A-1659	0603
X	WASHER	FM-GPW-12193	WO-106740	0603
Y	OILER	FM-B-10141	WO-107128	0603
Z	PIN	FM-GPW-12145	WO-A-1683	0603
AA	SPRING SET	FM-GPW-12084	WO-A-1677	0603
AB	COVER	FM-GPW-12174	WO-A-1660	0603
AC	WASHER	FM-34803-S7	WO-5168	0603
AD	SCREW	FM-31583-S7	WO-A-1686	0603
AE	SCREW	FM-36787-S7	WO-A-1633	0603
AF	WASHER	FM-34701-S7	WO-A-1667	0603
AG	CLIP	FM-GPW-12217	WO-A-1663	0603
AH	POINT SET	FM-GPW-18354	WO-A-1687	0603
AJ	WASHER	FM-34902-S2	WO-52754	0603
AK	SCREW	FM-31027-S8	WO-A-1668	0603

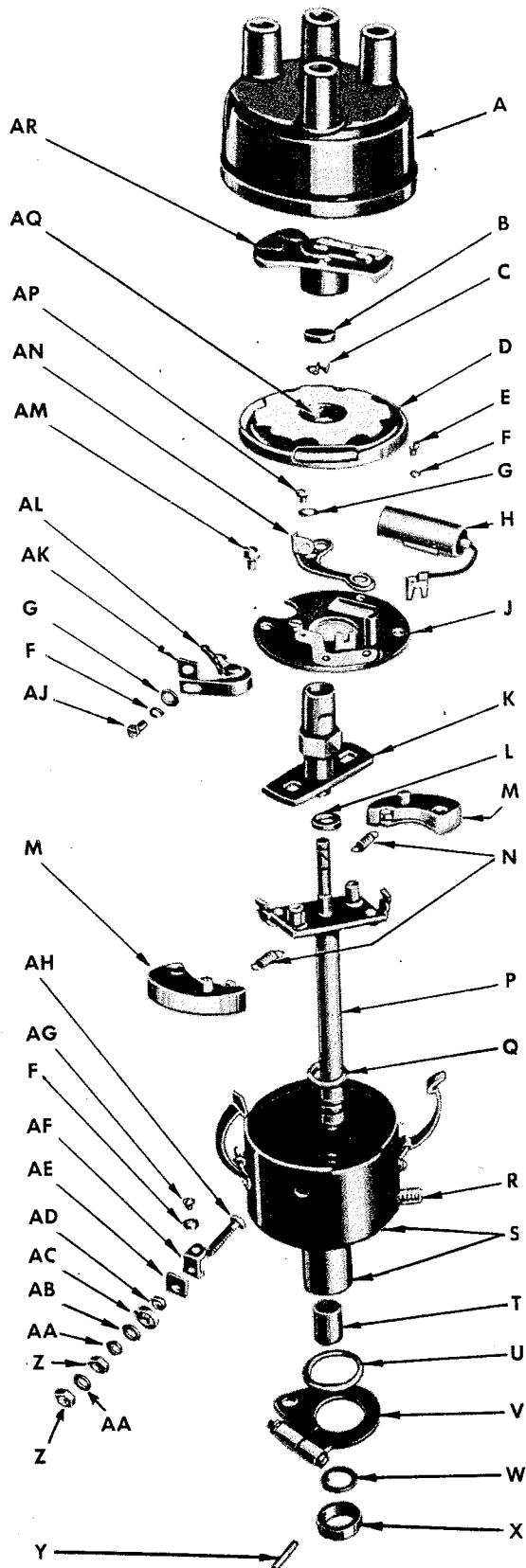
RA PD 342269A

FIGURE 06-5A—LEGEND FOR 06-5—DISTRIBUTOR ASSEMBLY (OPEN TYPE)—EXPLODED VIEW

GROUP 06—ELECTRICAL (Cont'd)

Figure Number	Official Stock Number	Piece Mark or Part Number		ITEM	Quant. Req'd. per Unit Assy.	Unit Price
		Ford No.	Willys No.			
Col. 1	Col. 2	Col. 3	Col. 4	Col. 5	Col. 6	Col. 7
0603—DISTRIBUTOR (REGULAR TYPE) (Cont'd) (See also Group 0603-1)						
06-5, 6	G503-0373638	FM-GPW-12200	WO-A-1658	ROTOR, distributor (AL-IG-1657R)	1	.293
06-5, 6	H001-5123801	FM-31027-S8	WO-A-1668	SCREW, distributor breaker contact (oval-fl-hd., S., zn-pltd., No. 8 (0.164)-32NC x 3/16) (AL-8X-884) (Note 1)	1	
06-5, 6	G116-1782009	FM-36787-S7	WO-A-1633	SCREW, distributor breaker arm (hex-hd., S., cd-pltd., slotted, No. 6 (0.138)-32NC x 5/16) (AL-ICG-175) (Note 1)	1	
06-5	2980-IGS-1134L	FM-GPW-12178	WO-A-1678	SHAFT, drive, distributor, assembly (AL-IGS-1134L)	1	
06-5	2980-IGS-2134L	FM-GPW-12175	WO-A-1675	SHAFT, drive, distributor, w/GOVERNOR, assembly (AL-IGS-2134L)	1	1.14
06-5	2980-IGT-69	FM-GPW-12191	WO-A-1684	SPRING, distributor, antirattle (AL-IGT-69)	1	.0652
06-5	G121-0389891	FM-GPW-12169	WO-A-1587	SPRING, distributor breaker arm (AL-IGP-30)	1	
06-5	G121-0389890	FM-GPW-12144	WO-A-1682	SPRING, distributor cap (AL-IG-694) (Note 1)	2	
06-5, 6	G067-0903419	FM-GPW-12012	WO-A-1657	SPRING, distributor contact (AL-IG-515)	1	.0065
01-3	2980-IGB-202S	FM-GPW-12083	WO-637615	SPRING, friction, distributor shaft	1	.0029
06-5	H001-7043561	FM-GPW-12084	WO-A-1677	SPRING SET, distributor governor weight (AL-IGB-202S) (consists of two springs)	1	.13
06-5, 6	H001-7043561	FM-34701-S7	WO-A-1667	WASHER, distributor breaker arm screw (plain, S., cd-pltd., USS., No. 6 (0.138)) (AL-8X-353) (Note 1)	1	
06-5	H001-1519006	FM-34902-S	WO-52754	WASHER, lock distributor breaker contact screw (S., internal tooth, flat type No. 8 (0.164))	1	
06-5, 6	G067-0906491	FM-GPW-12120	WO-A-1672	WASHER, spacer, distributor cam spring (AL-IGS-99) (Note 1)	1	.013
06-5, 6	G116-1843100	FM-GPW-12267	WO-A-1654	WASHER, thrust, distributor advance arm (AL-IG-816C)	1	.0065
06-5, 6	G067-3442601	FM-GPW-12193	WO-106740	WASHER, thrust, distributor drive shaft, lower (AL-IG-90) (Note 1)	1	
06-5, 6	G067-0906960	FM-GPW-12182	WO-A-1673	WASHER, thrust, distributor shaft, upper (AL-IGS-104) (Note 1)	1	
06-5	G116-1845184	FM-GPW-12188	WO-A-1676	WEIGHT, distributor governor, assembly (AL-IG-2456)	2	.163
06-5, 6	G121-0447500	FM-GPW-12133	WO-A-1671	WICK, oiling, distributor cam (felt) (AL-IGH-28) (Note 1)	1	
0603-1—DISTRIBUTOR (DUSTPROOF TYPE)						
NOTE: The following parts apply to FM-GPW-12100-B, WO-A-9075, AL-IAD-4008 DISTRIBUTOR. For the component parts of FM-GPW-12100, WO-A-1244, AL-IGC-4705 DISTRIBUTOR see GROUP 0603. All parts not listed below are the same on both distributors.						
06-6		FM-GPW-12139-B	WO-A-9313	BASE, dustproof distributor, assembly (AL-IAD-2001)	1	
06-6		FM-GPW-12167	WO-A-10278	BUSHING, dustproof distributor terminal post (AL-IAD-10)	1	
06-6	G503-0131548	FM-GPW-12106-B	WO-A-9307	CAP, dustproof distributor, assembly (AL-IG-1324-D)	1	
06-6		FM-GPW-12165	WO-A-10276	CONNECTOR, dustproof distributor terminal post assembly (AL-IAD-7)	1	

Note 1—Also in KIT, FM-GPW-18343, WO-A-7843.



Key	Part Name	Ford Part No.	Willys Part No.	Group No.
A	CAP, assembly	FM-GPW-12106-B	WO-A-9307	0603-1
B	WICK	FM-GPW-12133	WO-A-1671	0603
C	RING	FM-GPW-12177	WO-A-1653	0603
D	SEAL	FM-GPW-12094	WO-A-9316	0603-1
E	SCREW	FM-31026-S7	WO-A-1670	0603
F	WASHER	FM-34801-S7	WO-A-1669	0603
G	WASHER	FM-34701-S7	WO-A-1667	0603
H	CONDENSER	FM-GPW-12300	WO-A-1631	0603
J	PLATE, assembly	FM-GPW-12010-B	WO-A-9309	0603-1
K	PLATE	FM-GPW-12176-B	WO-A-9308	0603-1
L	WASHER	FM-GPW-12120	WO-A-1672	0603
M	WEIGHT	FM-GPW-12188-B	WO-A-9314	0603-1
N	SPRING SET	FM-GPW-12084-B	WO-A-10047	0603-1
P	SHAFT	FM-GPW-12178-B	WO-A-9312	0603-1
Q	WASHER	FM-GPW-12182	WO-A-1673	0603
R	OILER	FM-B-10141	WO-107128	0603
S	BASE, assembly	FM-GPW-12139-B	WO-A-9313	0603-1
T	BEARING	FM-GPW-12082	WO-A-1681	0603
U	WASHER	FM-GPW-12267	WO-A-1654	0603
V	ARM	FM-GPW-12155	WO-A-1674	0603
W	WASHER	FM-GPW-12193	WO-106740	0603
X	COLLAR	FM-GPW-12195	WO-A-1659	0603
Y	RIVET	FM-72867-S	WO-A-1685	0603
Z	NUT	FM-34079-S7	WO-A-5260	0603
AA	WASHER	FM-34803-S7	WO-5168	0603-1
AB	WASHER	FM-34703-S7	WO-A-5262	0603-1
AC	WASHER	FM-GPW-12157	WO-A-10280	0603-1
AD	BUSHING	FM-GPW-12167	WO-A-10278	0603-1
AE	INSULATION	FM-GPW-12166	WO-A-10277	0603-1
AF	CONNECTOR	FM-GPW-12165	WO-A-10276	0603-1
AG	SCREW	FM-26451-S7	WO-A-9315	0603-1
AH	POST	FM-GPW-12163	WO-A-10279	0603-1
AJ	SCREW	FM-36787-S7	WO-A-1633	0603
AK	CLIP	FM-GPW-12217	WO-A-1663	0603
AL	ARM, assembly	FM-GPW-12162	WO-A-1570	0603
AM	SCREW	FM-350110-S7	WO-A-9318	0603-1
AN	CONTACT	FM-GPW-12218	WO-A-1564	0603
AP	SCREW	FM-31027-S8	WO-A-1668	0603
AQ	WASHER	FM-GPW-12095	WO-A-9317	0603-1
AR	ROTOR	FM-GPW-12200	WO-A-1658	0603

RA PD 342270

FIGURE 06-6—DISTRIBUTOR ASSEMBLY (DUSTPROOF TYPE)—EXPLODED VIEW

GROUP 06—ELECTRICAL (Cont'd)

Figure Number	Official Stock Number	Piece Mark or Part Number		ITEM	Reqd. per Unit Assy.	Unit Price
		Ford No.	Willys No.			
Col. 1	Col. 2	Col. 3	Col. 4	Col. 5	Col. 6	Col. 7
01-2, 3 06-6	2980-IAD-4008 2980-KIT-121	FM-GPW-12100-B FM-GPW-12166 FM-GPW-18343-B	WO-A-9075 WO-A-10277 WO-A-15098	0603-1—DISTRIBUTOR (DUSTPROOF TYPE) (Cont'd) DISTRIBUTOR, dustproof, assembly (AL-IAD-4008) INSULATION, dustproof distributor terminal post (AL-IAD-8) KIT, repair, dustproof distributor (AL-KIT-121) (Consists of: 2 BEARING, shaft 1 BUSHING, terminal post 1 CLIP, breaker arm spring 1 CONNECTOR, terminal post 1 INSULATION, terminal post, inner 1 NUT, terminal post 1 POST, terminal 1 RING, retainer, cam 1 RIVET, drive shaft collar 1 SCREW, breaker arm spring clip (hex-hd., S, slotted No. 6 (0.138)-32NC- $\frac{5}{16}$) 2 SCREW, holding, breaker plate 1 SCREW, locking, stationary contact 1 SCREW, mounting, condenser 1 WASHER, breaker arm spring screw 1 WASHER, spacer, cam spring 2 WASHER, condenser screw 1 WASHER, contact lock adjusting screw 1 WASHER, insulating, terminal post 2 WASHER, lock, condenser terminal screw 1 WASHER, terminal post (plain) 1 WASHER, thrust, shaft, lower 1 WASHER, thrust, shaft, upper 1 WICK, washer, cam sleeve (felt) PLATE, breaker, dustproof distributor, assembly (AL-IAD-2004) (Includes: breaker plate, arm, clip, condenser, and attaching parts) SCREW, mach, fil-hd., S, cd-pltd., No. 10 (0.190)-32NC-2 x $\frac{5}{8}$ (AL-X-2878) PLATE, breaker, dustproof distributor (AL-IAD-1004) PLATE, dustproof distributor cam and stop (AL-IAD-1100-LB-1) POST, terminal, dustproof distributor base, assembly (AL-IGL-8) NUT, mach. screw, hex., S, cd-pltd., No. 10 (0.190)-32NF-2 WASHER, lock, reg., S, cd-pltd., No. 10 (0.190) WASHER, plain, S, cd-pltd., No. 10 (0.190)	1 1 1	
06-6	2980-IAD-2004	FM-GPW-12010-B	WO-A-9309		1	
06-6		FM-350110-S7	WO-A-9318		2	
06-6		FM-GPW-12176-B	WO-A-9310		1	
06-6	G104-1742400	FM-GPW-12163	WO-A-9308		1	
06-6		FM-34079-S7	WO-A-10279		1	
06-6	H001-7025621	FM-34803-S7	WO-A-5260		1	
06-6		FM-34703-S7	WO-5168		1	

06-6	FM-26451-S7	WO-A-9315	SCREW, dustproof distributor terminal post connector	1
06-6	FM-GPW-12094	WO-A-9316	SEAL, dustproof distributor breaker plate (AL-IAD-2015)	1
06-6	FM-GPW-12178-B	WO-A-9312	SHAFT, drive, dustproof distributor (AL-IGS-1134-LA)	1
06-6	FM-GPW-12175-B	WO-A-9311	SHAFT, drive, dustproof distributor, w/GOVERNOR, assembly (AL-IGS-2134-LA)	1
06-6	FM-GPW-12084-B	WO-A-10047	SPRING SET, dustproof distributor governor weight (AL-IGB-350-S)	1
06-6	FM-GPW-12095	WO-A-9317	WASHER, dustproof distributor plate (AL-IAD-12)	1
06-6	FM-GPW-12157	WO-A-10280	WASHER, dustproof distributor terminal post (AL-IGL-9)	1
06-6	FM-GPW-12188-B	WO-A-9314	WEIGHT, governor, dustproof distributor, assembly (AL-IGC-2168-L)	1
0604—IGNITION COIL				
	FM-GPW-12030	WO-A-1526	BRACKET, ignition coil (AL-IC-17980D)	1
	FM-33796-S2	WO-5914	NUT, reg., hex., S, 1/4-28NF-2	2
	FM-357689-S7	WO-635886	STUD, S, cd-pltd., 1/4-20NC x 1 x 1/4-28NF-2	2
	FM-GPW-12064	WO-631105	WASHER, plain, S, black enameled, 5/8 in.	2
	FM-351274-S7	WO-53024	WASHER, lock, S, cd-pltd., internal-external tooth, 1/4 in. (GM-174916)	4
	FM-34745-S2	WO-52702	WASHER, plain, S, SAE., 1/4 in.	2
	FM-GPA-12000		COIL, ignition, 12V. (Note 1)	1
	FM-GPW-12000	WO-A-1424	COIL, ignition, w/BRACKET and WASHER, assembly	1
01-2, 3	FM-GPW-12000-B	WO-A-7792	COIL, ignition, w/BRACKET and WASHER, assembly (coil does not have bottom ground connection) (AL-IG-4070L)	1
0604A—IGNITION WIRING				
	FM-GPW-12091-A	WO-301435	BUSHING, spark plug cable support (rubber, 1/16 in. hole)	1
	FM-GPW-14321	WO-A-5083	CABLE, coil primary (low tension) (Note 2)	1
	FM-GPW-12298-B	WO-A-1420	CABLE, coil secondary (high tension) (Note 2)	1
	FM-GPW-12287	WO-A-1412	CABLE, spark plug, No. 1 (Note 2)	1
	FM-GPW-12284	WO-A-1414	CABLE, spark plug, No. 2 (Note 2)	1
	FM-GPW-12283	WO-A-1416	CABLE, spark plug, No. 3 (Note 2)	1
	FM-GPW-12286	WO-A-1418	CABLE, spark plug, No. 4 (Note 2)	1
	FM-GPW-18364	WO-A-6757	KIT, repair, ignition wiring (superseded by KIT, FM-GPW-18364-B, WO-A-7844)	1
(Consists of:				
	FM-GPW-12287	WO-A-1412	1 CABLE, spark plug No. 1	
	FM-GPW-12284	WO-A-1414	1 CABLE, spark plug No. 2	
	FM-GPW-12283	WO-A-1416	1 CABLE, spark plug No. 3	
	FM-GPW-12286	WO-A-1418	1 CABLE, spark plug No. 4	
	FM-GPW-12298-B	WO-A-1420	1 CABLE, coil, secondary	
	FM-GPW-18364-B	WO-A-7844	KIT, repair, ignition wiring (supersedes KIT, FM-GPW-18364, WO-A-6757)	1
(Consists of:				
	FM-GPW-12287	WO-A-1412	1 CABLE, No. 1	
	FM-GPW-12284	WO-A-1414	1 CABLE, No. 2	
	FM-GPW-12283	WO-A-1416	1 CABLE, No. 3	
	FM-GPW-12286	WO-A-1418	1 CABLE, No. 4	
	FM-GPW-14321	WO-A-5083	1 CABLE, coil, primary	
	FM-GPW-12298-B	WO-A-1420	1 CABLE, coil, secondary	

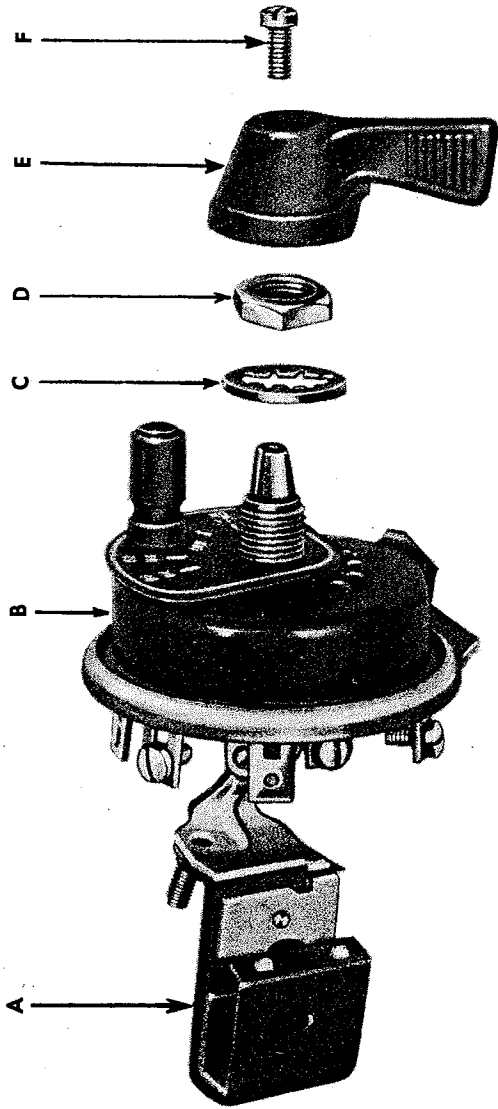
Note 1—Only for vehicles modified by MWO ORD G503-W7 (see page 3). Note 2—Also in KIT, FM-GPW-18364-B, WO-A-7844.

GROUP 06—ELECTRICAL (Cont'd)

Figure Number	Official Stock Number	Piece Mark or Part Number		ITEM	Quant. Reqd. per Unit Assy.	Unit Price
		Ford No.	Willlys No.			
Col. 1	Col. 2	Col. 3	Col. 4	Col. 5	Col. 6	Col. 7
				0604A—IGNITION WIRING (Cont'd)		
			WO-327257	SEAL, weather, spark plug cables, distributor end (rubber) (superseded by SEAL, FM-9N-12113-A, WO-393594)	5	.0217
	3320-9N-12113-A	FM-9N-12113-A	WO-393594	SEAL, weather, spark plug cables, distributor end (supersedes SEAL, WO-327257)	5	.0042
	G067-0906045	FM-B-14463	WO-307556	TERMINAL, coil primary cable	2	.0065
	G166-0398794	FM-GPW-12006	WO-A-1652	TERMINAL, spark plug cables, high tension (AL-IG-94)	5	
		FM-B-14466	WO-314369	TERMINAL, spark plug cables and coil secondary cable	5	
				0604B—SPARK PLUGS		
			WO-A-1096	CAP, spark plug insulator	4	
	9150-2066C-C1	FM-11A-12425	WO-637863	GASKET, spark plug (VC-2066C-C1) (MDR-AM-504K) (also in GASKET SET, FM-GPW-18387, WO-A-1537)	4	.293
	G503-0340680	FM-GPW-12405	WO-A-538	PLUG, spark, w/GASKET, assembly (14MM) (AL type-AN-7) <i>AL type-AN-7</i>	4	
				0604C—IGNITION LOCK		
			WO-A-6814	HANDLE, ignition switch	1	
			WO-A-2518	KEY, ignition switch	1	
			WO-A-6813	NUT, mounting, ignition switch (DM-53170A)	1	
			WO-52131	SCREW, ignition switch terminal (mach., rd-hd., S., cd-pltd., No. 8 (0.164)-32NC-2 x 1/4)	2	
	2760-5941	FM-GPW-3686	WO-A-2517	SWITCH, ignition, key type, assembly	1	
18-1	G671-5636599	FM-GPW-3686-B	WO-A-6811	SWITCH, ignition, keyless type, assembly (DM-6282)	1	.538
	G518-7000186	FM-356229-S7	WO-A-1350	WASHER, lock, internal tooth, S., cd-pltd., No. 8 (0.164) (ignition switch terminal) (DM-51104)	1	.0026
				0605—INSTRUMENTS		
			WO-A-5231	AMMETER, 50 amp, assembly (AL-10075-A) (superseded by AMMETER, FM-GPW-10850-B, WO-A-8186)	1	2.04
	G116-0400021	FM-GPW-10850	WO-A-8186	AMMETER, 50 amp. (AL-10311A) (supersedes AMMETER, FM-GPW-10850, WO-A-5236)	1	
	2980-10-311A	FM-GPW-10850-B	WO-A-8129	NUT, mach. screw, hex, S., No. 10 (0.190)-32NF (AL-8170) (Willys only)	4	
			WO-A-8130	WASHER, lock, S., No. 10 (0.190) (AL-2229) (Willys only)	2	
18-1			WO-A-8132	BRACKET, mounting, ammeter (AL-9288-A) (Willys only)	1	
				BRACKET, mounting, fuel gage (AL-10063) (Willys only)	1	

18-1	G116-0400771	WO-A-8131	BRACKET, mounting, oil pressure gage and heat indicator (AL-21608) (Willlys only)	2	
	G503-0194062	WO-A-1268	GAGE, fuel, assembly (AL-9799-A) (superseded by GAGE, FM-GPW-9280, WO-A-8184)	1	1.043
	G121-0194050	WO-A-8184	GAGE, fuel (AL-10313-A) (supersedes GAGE, WO-A-1268)	1	
	G121-0194050	WO-A-1269	GAGE, fuel, assembly (Note 1)	1	
	G121-0194050	WO-A-8190	GAGE, oil pressure, assembly (AL-1017-1) (superseded by GAGE, FM-GPW-9273, WO-A-8190)	1	
18-1	G121-0194050	WO-A-8190	GAGE, oil pressure, assembly (AL-10310-A) (supersedes GAGE, WO-A-1269)	1	1.29
	G503-0232469	WO-6536	NUT, mach., screw, hex., S, No. 10 (0.190)-32NF (AL-2235) (Willlys only)	4	
		WO-A-8129	WASHER, lock, S, No. 10 (0.190) (AL-2229) (Willlys only)	2	
		WO-662420	GROMMET, heat indicator tube through dash (rubber, 3/8 in.)	1	.0212
		WO-A-1270	INDICATOR, heat, assembly (AL-10014-A) (superseded by INDICATOR, FM-GPW-10883, WO-A-8188)	1	
18-1	G503-0232469	WO-A-8188	INDICATOR, heat, assembly (Motor Meter) (AL-10312) (supersedes INDICATOR, WO-A-1270)	1	2.12
0605C—PANEL LIGHT					
	H004-0501303	WO-A-1748	ADAPTER, instrument panel light (DM-29392)	2	.0982
	H004-0504780	WO-A-1334	SHIELD, instrument panel light, assembly	2	.0614
06-12	3320-GPW-13710	WO-A-1411	SOCKET, instrument panel light, w/CABLE, assembly (includes two SOCKETS)	1	.136
0606—SWITCHES					
	3320-GPWS-18935	FM-GPWS-18935	CONDENSER, cranking motor switch and regulator terminal (Note 1)	2	
06-7	G503-7036865	FM-G8T-11661	CONTROL, lockout, lighting switch, assembly (DM-5943)	1	
06-7	G503-7036866	FM-31045-S7	HANDLE, lighting and blackout driving rotary switch (DM-53875-A)	1	
	G503-7088755	FM-355944-S5	SCREW, mach. (S, cd-pltd., special, fil-hd., No. 8 (0.164)-32NC-2 x 3/8 (DM-53895))	1	
	G518-7000186	FM-G8T-11670	KNOB, blackout driving lamp switch, w/set SCREW, assembly	1	
	G503-0393790	FM-37622-S7	KNOB, lighting switch, w/set SCREW, assembly (DM-5944)	1	
		FM-356229-S7	KNOT, instrument panel light switch, w/set SCREW, assembly (DM-5999)	1	
		FM-GTB-13739	NUT, starting switch terminal (hex., S, cop-pltd., thin, 5/16-24NF-2)	2	
			PLATE, escutcheon, rotary lighting switch	1	
			SCREW, lighting switch terminal (mach., fil-hd., S, cd-pltd., No. 8 (0.164)-32NC x 5/16)	7	
			WASHER, lock, keyed, internal tooth, S, cd-pltd., No. 8 (0.164) (DM-51104)	7	.0026
			SWITCH, blackout driving light, assembly (DM-398) (includes: KNOB, w/set SCREW and attaching parts)	1	
			SWITCH, blackout driving light, assembly (Willlys only, after serial 163750)	1	
			NUT, hex., S, 5/8-24NF-2 (DM-53414)	1	
			WASHER, lock, shakeproof, 3/8 in. (DM-52947)	1	
			SWITCH, dimmer, headlight, foot, assembly (has closed type terminals)	1	
			SWITCH, dimmer, headlight, foot, assembly (CL-9654) (has push-in type terminals)	1	
18-1	G503-0303785	FM-26483-S7	SCREW, mach., rd-hd., S, cd-pltd., 1/4-20NC-2 x 1/2	1	.228
	H001-1518007	FM-34805-S2	WASHER, lock, reg., S, 1/4 in. (GM-103319)	3	

Note 1—Only for vehicles modified by MWO ORD G503-W7. (see page 3).



Key	Part Name	Ford Part No.	Willlys Part No.	Group No.
A	BREAKER	FM-GPW-12250-C	WO-A-1349	0606D
B	SWITCH, assembly	FM-G8T-11649	WO-A-11866	0606
C	WASHER	FM-34922-S	WO-636528	0606
D	NUT	FM-356036-S8	WO-A-11871	0606
E	HANDLE	FM-G8T-11661	WO-A-11868	0606
F	SCREW	FM-31045-S7	WO-A-11870	0606

RA PD 342276

FIGURE 06-7—LIGHTING SWITCH (ROTARY TYPE)

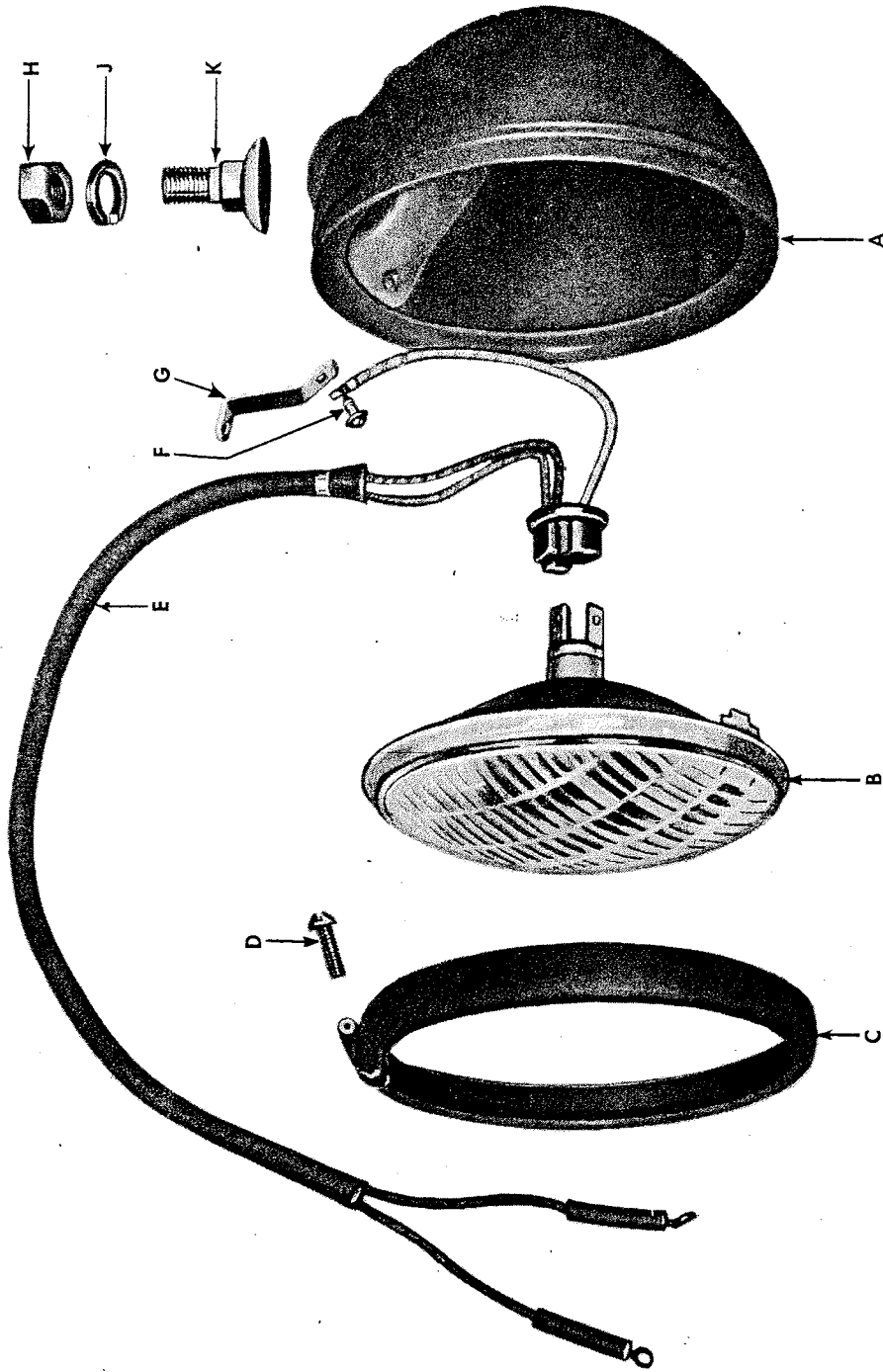
GROUP 06—ELECTRICAL (Cont'd)

Figure Number	Official Stock Number	Piece Mark or Part Number		ITEM	Quant. Reqd. per Unit Assy.	Unit Price
		Ford No.	Willlys No.			
Col. 1	Col. 2	Col. 3	Col. 4	Col. 5	Col. 6	Col. 7
18-1	G116-1793792 H001-5147511	FM-GPW-13740 FM-26456-S7 FM-356229-S7	WO-A-1333 WO-A-1353 WO-52131 WO-A-1350	0606—SWITCHES (Cont'd)	1 1 2 2	.293 .0026
				SWITCH, instrument panel light (DM-5995) NUT, mounting, hex., S., 3/8-24NF-2 (DM-53414) (Willys only) SCREW, mach., rd-hd., S., cd-pltd., No. 8 (0.164)-32NC-2 x 1/4 WASHER, lock, keyed, internal tooth, S., cd-pltd., No. 8 (0.164)		

3320-GPW-18361	FM-GPW-18361	WO-A-6758	KIT, repair, wiring harness.....	1	3.682
3320-GPW-18361-D	FM-GPW-18361-D		KIT, repair, wiring harness.....	1	
3320-GPW-18361-B	FM-GPW-18361-B	WO-A-7845	KIT, repair, wiring harness..... (Consists of:	1	
	FM-GPW-14457	WO-A-5078	2 CABLE, filter to starter switch		
	FM-GPW-14456	WO-A-5079	1 CABLE, filter to junction block		
	FM-GPW-14459	WO-A-5073	1 CABLE, filter to junction block		
	FM-GPW-14406	WO-A-5070	1 CABLE, gas gage to tank		
	FM-GPW-14416	WO-A-5080	1 CABLE, gas gage to circuit breaker		
	FM-GPW-14409	WO-A-5081	1 CABLE, horn to junction block		
	FM-GPW-14458	WO-A-5072	1 CABLE, ignition switch to ammeter		
	FM-GPW-14465	WO-A-5082	1 CABLE, generator regulator to junction block		
	FM-GPW-14305	WO-A-5074	1 HARNESS, wiring, generator		
	FM-GPW-14401-C	WO-A-5048	1 HARNESS, wiring, body, long		
	FM-GPW-14446	WO-A-5061	1 HARNESS, wiring, chassis		
	FM-GPW-14425	WO-A-1665	1 HARNESS, wiring, headlight)		
0606D—CIRCUIT BREAKERS					
G503-0125900	FM-GPW-12250-A	WO-A-1733	BREAKER, circuit, 5 amp. (between ignition switch and gas gage on instrument board) (superseded by BREAKER, FM-GPW-12250E, WO-A-15804)	1	.424
G503-0125901	FM-GPW-12250-B	WO-A-1734	BREAKER, circuit, 15 amp. (between ammeter and horn) (superseded by BREAKER, FM-GPW-12250-E, WO-A-15804)	1	.424
G104-1526008	FM-GPW-12250-E	WO-A-15804	BREAKER, circuit, 15 amp. (supersedes BREAKER, FM-GPW-12250-A, WO-A-1733; BREAKER, FM-GPW-12250-B, WO-A-1734)	2	
H001-4135621	FM-34052-S2	WO-6214	NUT, mach-screw, hex, S, No. 8 (0.164)-32NC-2	4	
H001-1518004	FM-26496-S	WO-5780	SCREW, mach., rd-hd., S, No. 8 (0.164)-32NC-2 x 5/8	4	
G503-0325902	FM-34802-S2	WO-52705	WASHER, lock, reg., S, No. 8 (0.164) (GM-106496)	4	
	FM-GPW-12250-C	WO-A-1349	BREAKER, circuit, 30 amp. (also included w/lighting SWITCH, assembly (DM-53097-A)	1	.244
0606E—JUNCTION BLOCKS					
3320-GPW-14448-C	FM-GPW-14448	WO-639599	BLOCK, junction (superseded by BLOCK, FM-GPW-14448-C)	1	.179
H001-7025621	FM-355131-S	WO-5064	BLOCK, junction, 2 post (headlight wires) (supersedes BLOCK, FM-GPW-14448)	2	
3320-GPW-14448-B	FM-34803-S7	WO-52221	SCREW, mach., rd-hd., S, No. 10 (0.190)-24NC-2 x 5/8	4	
3320-GPW-14448-D	FM-GPW-14448-B	WO-A-1490	WASHER, lock, reg., S, cd-pltd., No. 10 (0.190)	4	
	FM-GPW-14448-D		BLOCK, junction (superseded by BLOCK, FM-GPW-14448-D)	1	
	FM-355160-S	WO-5272	BLOCK, junction, 6 post (body wiring harness) (supersedes BLOCK, FM-GPW-14448-B)	1	.358
H001-7025621	FM-34803-S7	WO-52221	SCREW, mach., rd-hd., S, No. 10 (0.190)-24NC-2 x 3/4	2	
3320-GPA-13189	FM-GPA-13189	WO-A-1089	WASHER, lock, reg., S, cd-pltd., No. 10 (0.190)	2	
3320-356299-S	FM-356299-S		RESISTOR, blackout driving light (Note 2)	1	
			WASHER, terminal to block screw, special, S, 1/4 in.	10	

06-7

Note 1—Only for vehicles modified by MWO ORD G503-W2 (see page 3). Note 2—Only for vehicles modified by MWO ORD G503-W7 (see page 3).



Key	Part Name	Ford Part No.	Willlys Part No.	Group No.	Part Name	Key	Ford Part No.	Willlys Part No.	Group No.
A	HOUSING, assembly	FM-GPW-13012	WO-A-15586	0607	F	SCREW	FM-32706-S	WO-A-1032	0607
B	LAMP UNIT, assembly	FM-GPW-13007	WO-A-1033	0607A	G	RETAINER	FM-GPW-13015	WO-A-1031	0607
C	DOOR, assembly	FM-GPW-13043	WO-A-1036	0607	H	NUT	FM-33846-S2	WO-5916	0607
D	SCREW	FM-38095-S	WO-A-1037	0607	J	WASHER	FM-34809-S	WO-5009	0607
E	WIRE, assembly (left-hand)	FM-GPW-13076	WO-A-1362	0607	K	BOLT	FM-GPW-13022	WO-A-1361	0607
	WIRE, assembly (right-hand)	FM-GPW-13075	WO-A-1363	0607					

RA PD 342256

FIGURE 06-8—HEADLIGHT ASSEMBLY

GROUP 06—ELECTRICAL (Cont'd)

Figure Number	Official Stock Number	Piece Mark or Part Number		ITEM	Quant. Req'd. per Unit Assy.	Unit Price
		Ford No.	Willys No.			
Col. 1	Col. 2	Col. 3	Col. 4	Col. 5	Col. 6	Col. 7
				0606F—TRAILER ELECTRIC COUPLING (Only for vehicles modified by MWO ORD G503-WS)		
		FM-GPW-5186	WO-A-6393	BOLT, eye, safety chain	2	.0425
		FM-09B-14362	WO-A-6356	CABLE, trailer, coupling socket to body ground	1	.258
	G102-0400526	FM-11YS-18149-B	WO-A-6587	COVER, assembly (WEB-11935-B)	1	
		FM-11YS-18149-B	WO-A-8088	COVER, terminal (WEB-110242) (Willys only)	3	
	H001-4135681	FM-34079-S7	WO-53061	NUT, hex., S., cd-pltd., No. 10 (0.190)-32NF-2 (socket terminal) (WEB-110477) (GM-120614)	8	
	D017-0309544	FM-11YS-18198-B	WO-A-6588	RETAINER, dust shield (WEB-20099)	1	
	F226-0242470	FM-11YS-18193-B	WO-A-6589	SHIELD, dust (WEB-20098)	1	
	H004-0355720	FM-11YS-18151-B	WO-A-6586	SOCKET, trailer electric coupling, assembly (WEB-3529) (less COVER)	1	4.40
	D028-0204281	FM-11YS-18142-B	WO-A-6019	SOCKET, trailer electric coupling, w/COVER, assembly (to accommodate trailer) (WEB-3604) (includes: COVER, INTERNAL PARTS, ATTACHING PARTS)	1	
			WO-53069	BOLT, hex-hd., S., cd-pltd., 1/4-28NF-2 x 1 (socket to body) (GM-120364) (Willys only)	2	
	H001-5418341		WO-52921	BOLT, hex-hd., S., cd-pltd., 1/4-28NF-2 x 3/4 (socket to body) (GM-123450) (Willys only)	2	
		FM-20364-S7	WO-52847	BOLT, hex-hd., S., cd-pltd., 1/4-28NF-2 x 1/2 (Ford only)	4	
	H001-4167521	FM-33795-S7	WO-53313	NUT, hex., S., cd-pltd., 1/4-28NF-2 (GM-120367)	4	
	H001-7025681	FM-34805-S8	WO-53024	WASHER, lock, reg, S., z-pltd., 1/4 in. (1/2 O.D. x 0.254 I.D. x 1/8 thk.)	4	
	H001-7124701	FM-351274-S7	WO-A-8087	WASHER, lock, S., cd-pltd., 1/4 in. (internal, external tooth) (GM-174916)	4	
	G074-1443015	FM-34753-S	WO-A-8087	WASHER, terminal screw (br., No. 10 (0.190)) (WEB-110110)	4	
	H001-7021685	FM-34903-S2	WO-53194	WASHER, lock, S., parkerized, shakeproof, No. 10 (0.190) (GM-138534)	4	
		FM-GPW-13020	WO-A-2873	0607—HEADLIGHT		
				BOLT, hold-down, headlight support, w/NUT and WASHER, assembly (S., 5/16-18NC-2)	2	.023
06-8		FM-GPW-13022	WO-A-1361	BOLT, mounting, headlight (CB-CB-6012)	2	
		FM-GPW-14436	WO-A-1731	CABLE, ground headlight	2	
		FM-32852-S7	WO-52993	SCREW, sheet metal, rd-hd., No. 10 (0.190) x 3/8 (cable to bracket)	2	
06-8		FM-GPW-13043	WO-A-1036	DOOR, headlight, assembly (CB-CB-8523)	2	.326
06-8	G121-0155535	FM-38095-S	WO-A-1037	SCREW, mach., oval-fil-hd., S., No. 8 (0.164)-32NC-2 x 3/4 (CB-CB-5099)	2	
		FM-GPW-13032	WO-A-2878	HINGE, headlight support	2	.105
	H001-5419100	FM-20326-S2	WO-51485	BOLT, hex-hd., s-fin., 5/16-18NC-2 x 5/8 (GM-106324)	4	
		FM-33797-S2	WO-52350	NUT, reg., hex., s-fin., S., 5/16-18NC-2	4	
	H001-1518008	FM-34806-S2	WO-51840	WASHER, lock, reg, S., 5/16 in.	4	

GROUP 06—ELECTRICAL (Cont'd)

Figure Number	Official Stock Number	Piece Mark or Part Number		ITEM	Quant. Req. per Unit Assy.	Unit Price
		Ford No.	Willis No.			
Col. 1	Col. 2	Col. 3	Col. 4	Col. 5	Col. 6	Col. 7
0607—HEADLIGHT (Cont'd)						
06-8	G503-0211411	FM-GPW-13012	WO-A-5586	HOUSING, headlight, assembly (CB-CB-10436)	2	
		FM-GPW-13006		LIGHT, head, service, left, assembly (CB-215142) (superseded by LIGHT, assembly, FM-GPW-13006-A, WO-A-1304)	1	2.33
	G503-0211411	FM-GPW-13006-A	WO-A-1304	LIGHT, head, service, left, assembly (supersedes LIGHT, assembly, FM-GPW-13006)	1	
	G503-0211410	FM-GPW-13005		LIGHT, head, service, right, assembly (CB-215242) (superseded by LIGHT, assembly, FM-GPW-13005-A, WO-A-1305)	1	
06-8	G503-0211410	FM-GPW-13005-A	WO-A-1305	LIGHT, head, service, right, assembly (supersedes LIGHT, assembly, FM-GPW-13005)	1	2.46
06-8	G085-2307356	FM-33846-S2	WO-5916	NUT, reg., hex., S, 1/2-20NF-2	2	
	H001-1518011	FM-34809-S	WO-5009	WASHER, lock, reg., S, 1/2 in.	2	
		FM-33896-S2	WO-A-2466	NUT, wing, S, 5/16-18NC-2 (headlight mounting bracket bolt)	2	
		FM-357419-S2	WO-A-2875	PIN, clevis, headlight support bolt (S, 0.248 diam. x 25/64 lgh.)	2	
		FM-72003-S7	WO-5067	PIN, cotter, split, S, 1/16 x 1/2	2	
06-8	H001-0811025	FM-GPW-13015	WO-A-1031	RETAINER, headlight mounting bolt (CB-CB-8010)	2	.022
06-8	H001-7025621	FM-37206-S	WO-A-1032	SCREW, mach, rd-hd., S, No. 10 (0.190)-32NF-2 x 1/4 (CB-CB-4057)	2	
		FM-34803-S7	WO-52221	WASHER, lock, S, cd-pltd., No. 10 (0.190) (CB-CB-300)	2	
		FM-GPW-13071	WO-A-2870	SUPPORT, headlight, left, assembly	1	.717
06-8	3320-GPW-13076	FM-GPW-13070	WO-A-2871	SUPPORT, headlight, right, assembly	1	.717
06-8	3320-GPW-13075	FM-GPW-13076	WO-A-1362	WIRE, left headlight, assembly	1	.195
		FM-GPW-13075	WO-A-1363	WIRE, right headlight, assembly	1	.326
0607A—LAMP-UNITS (Sealed Beam)						
06-9	M001-0107347	FM-GPW-13152	WO-A-6145	LAMP-UNIT, blackout driving headlight, sealed, 6-8V., assembly (CB-CB-11267)	1	1.173
06-8	G503-0127853	FM-GPW-13007	WO-A-1033	LAMP-UNIT, headlight, sealed, 6V., assembly (CB-CB-8494)	2	.961
		FM-GPA-13007		LAMP-UNIT, headlight, sealed, 12V., assembly (Note I)	2	
06-11	H004-0504417	FM-GP-13494-A	WO-A-1074	LAMP-UNIT, service tail and stop, sealed, 21-3 cp., assembly (CB-CB-9218) (ORD-504417)	1	.391
		FM-GPA-13494		LAMP-UNIT, service tail and stop, sealed, 21-3 cp., 12V., assembly (Note I)	1	
		FM-GP-13485-A	WO-A-1078	LAMP-UNIT, blackout stop, sealed, 3 cp., 6V., assembly (CB-CB-9234) (ORD-504423)	1	.424
		FM-GPA-13485		LAMP-UNIT, blackout stop, sealed, 3 cp., 12V., assembly (Note I)	1	
06-11	H004-0504420	FM-GP-13491-A	WO-A-1075	LAMP-UNIT, blackout tail, sealed, 4 opening, 6V., assembly (CB-CB-9225) (ORD-504420)	1	.456
		FM-GPA-13491		LAMP-UNIT, blackout tail, sealed, 4 opening, 12V., assembly (Note I)	2	

0607B—LAMPS

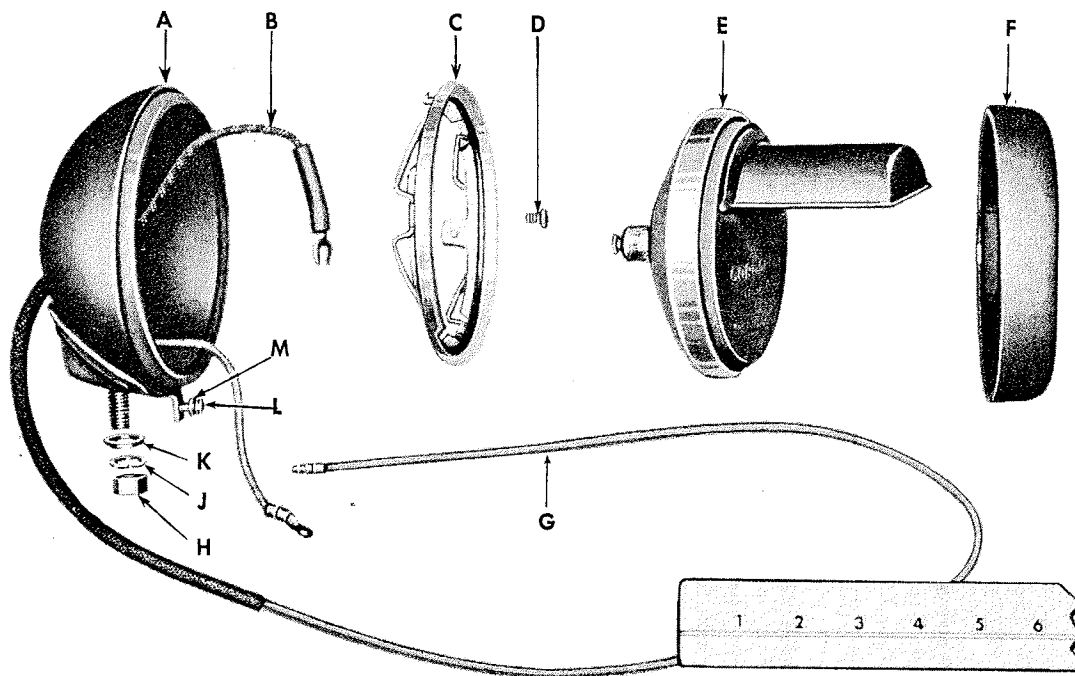
06-10	M001-0213230	FM-GPA-13466	WO-51804	LAMP, elec., incand., 12-16V., 3 cp., single tung. fl. (Commercial No. 67) (GM-142450) (Note 1)	2
	H104-0193059	FM-B-13466	WO-53474	LAMP, elec., incand., 6-8V., 3 cp., single tung. fl. (Commercial No. 63) (GM-142303) (superseded by LAMP, WO-53474)	2
		FM-48-15021	WO-52837	LAMP, elec., incand., 6-8V., 3 cp., single tung. fl. (Commercial No. 1265) (supersedes LAMP, FM-B-13466, WO-51804)	2
		FM-GPA-13462		LAMP, elec., incand., 6-8V., 1 cp., single tung. fl. (Commercial No. 51) (GM-115273)	2
				LAMP, elec., incand., 12-16V., 1 cp., single tung. fl. (Commercial No. 53) (GM-131282) (Note 1)	2

0607D—BLACKOUT LIGHTS

NOTE: For blackout TAILLIGHT see group 0608

06-9, 12	2300-11503	FM-GPW-13175	WO-A-6146	CABLE, blackout driving light, assembly (CB-CB-11503) (superseded by CABLE, FM-GPW-13175-C, WO-A-11770)	1
06-10	3320-GPW-13175-C	FM-GPW-13175-C	WO-A-11770	CABLE, blackout driving light, assembly (supersedes CABLE, WO-A-6146)	1
06-10	3320-GP-13210-B	FM-GPW-13210-B	WO-A-1070	DOOR, marker light, assembly (CB-CB-9204)	2
06-9		FM-28378-S2	WO-A-1072	DOOR, marker light, assembly (CB-CB-11193)	1
06-9		FM-GPW-13162	WO-A-6144	SCREW, mach., oval-fl-hd., S., No. 8 (0.164)-32NC-2 x 7/8	2
06-9		FM-31045-S2	WO-A-6148	DOOR, blackout driving light, assembly (CB-CB-11193)	1
06-9	H001-1519006	FM-34902-S	WO-52754	SCREW, mach., oval-fl-hd., S., No. 8 (0.164)-32NC-2 x 3/8 (CB-CB-11263)	1
	G179-7010624	FM-GPW-13209	WO-A-15304	WASHER, lock, S., internal tooth, flat type, No. 8 (0.164)	1
06-10	3320-GP-13209-B	FM-GPW-13209-B	WO-A-1071	GASKET, blackout light door	1
06-9		FM-GPW-13170	WO-A-6143	GASKET, marker light door (CB-CB-9281)	2
06-10		FM-GPW-13217	WO-A-1439	HOUSING, blackout driving light, assembly (CB-CB-11500)	1
		FM-GPW-13216	WO-A-1440	HOUSING, marker light, w/WIRE, left, assembly (CB-CB-10461)	1
	2300-415342	FM-GPW-13201	WO-A-1436	HOUSING, marker light, w/WIRE, right, assembly (CB-CB-10462)	1
06-10		FM-33798-S7	WO-A-1532	LIGHT, marker, left, assembly (CB-415342)	1
06-10		FM-34941-S7	WO-53029	NUT, reg., hex., S., cd-pltd., 3/16-24NF-2	2
	2300-415442	FM-GPW-13200	WO-A-1437	WASHER, lock, S., cd-pltd., external tooth, flat type, 3/8 in.	2
	3320-GPW-13150	FM-GPW-13150	WO-A-6142	LIGHT, marker, right, assembly (CB-415442)	1
06-9	3320-GPW-13150-C	FM-GPW-13150-C	WO-A-11768	LIGHT, driving, blackout, assembly (CB-11495) (superseded by LIGHT, assembly, FM-GPW-13150)	1
06-9	H001-4171585	FM-33799-S2	WO-53033	LIGHT, driving, blackout, assembly (CB-11495) (superseded by LIGHT, assembly, FM-GPW-13150-C)	1
06-9	H001-1518009	FM-34807-S2	WO-5010	NUT, reg., hex., S., 3/16-24NF-2 (GM-123228)	1
			WO-A-1082	WASHER, lock, reg., S., 3/8 in.	1
			WO-A-5806	NIPPLE, rubber, marker lamp	2
06-9		FM-GPW-13166	WO-A-6783	PAD, mounting, marker lamp (CB-CB-9276)	2
06-9		FM-40631-S7	WO-53071	RING, mounting, blackout driving light lamp-unit (CB-CB-11199)	1
06-9		FM-GPW-13180	WO-A-6313	SCREW, blackout driving light ground (CB-CB-7783) (GM-125760)	1
06-9		FM-GPW-13174	WO-A-6147	WASHER, adjusting, blackout driving light	1
				WIRE, ground, blackout driving light, assembly (CB-CB-11200)	1

Note 1—Only for vehicles modified by MWO ORD G503-W7. (see page 3).

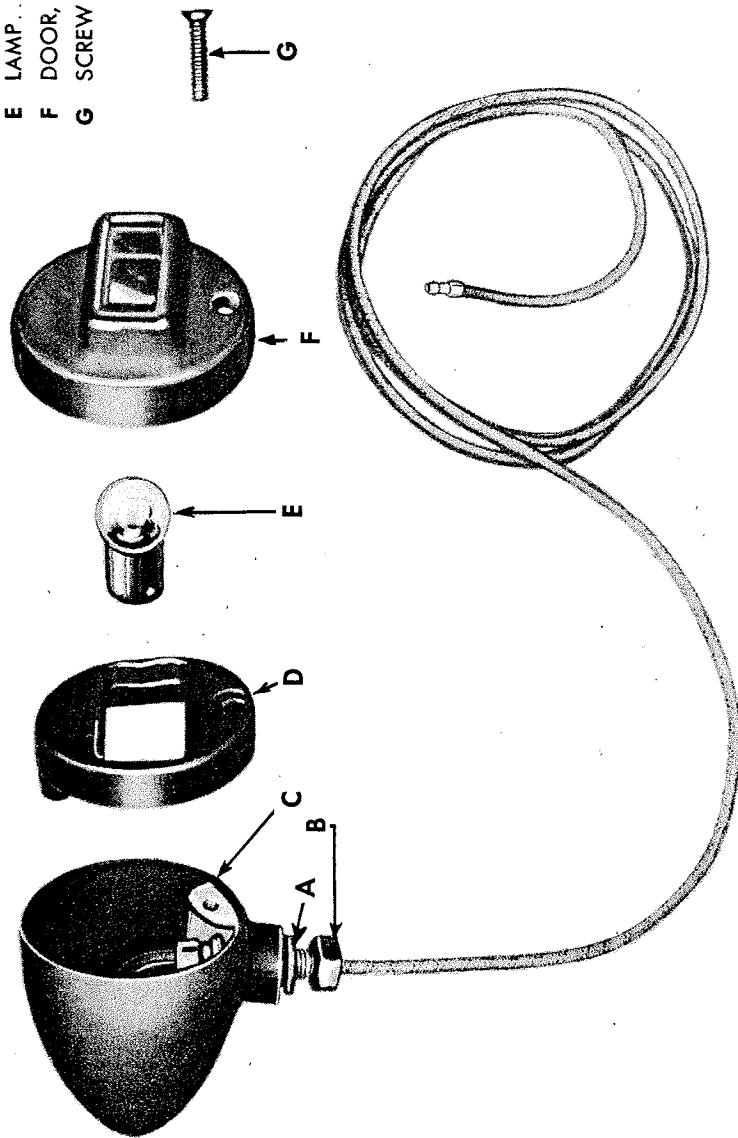


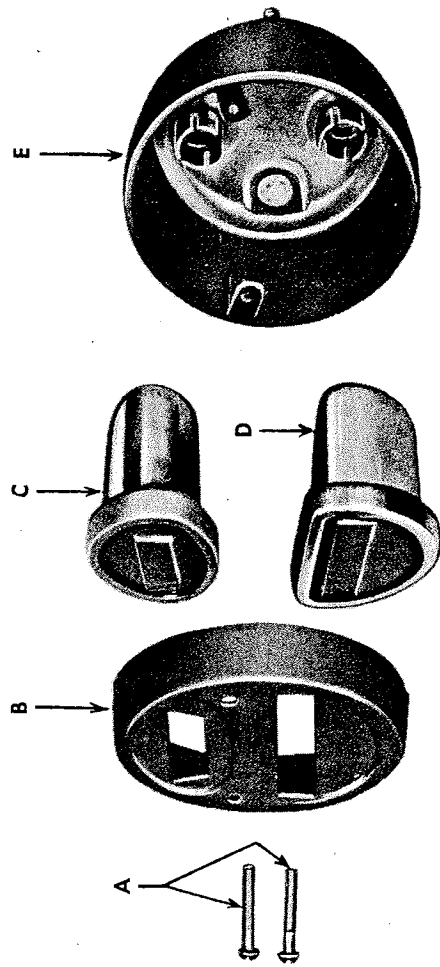
Key	Part Name	Ford Part No.	Willys Part No.	Group No.
A	HOUSING, assembly	FM-GPW-13170	WO-A-6143	0607D
B	WIRE	FM-GPW-13174	WO-A-6147	0607D
C	RING, assembly	FM-GPW-13166	WO-A-6783	0607D
D	SCREW	FM-40631-S7	WO-53071	0607D
E	LAMP-UNIT	FM-GPW-13152	WO-A-6145	0607A
F	DOOR, assembly	FM-GPW-13162	WO-A-6144	0607D
G	CABLE, assembly	FM-GPW-13175-C	WO-A-11770	0607D
H	NUT	FM-33799-S2	WO-53033	0607D
J	WASHER	FM-34807-S2	WO-5010	0607D
K	WASHER	FM-GPW-13180	WO-A-6313	0607D
L	SCREW	FM-31045-S2	WO-A-6148	0607D
M	WASHER	FM-34902-S	WO-52754	0607D

RA PD 342277

FIGURE 06-9—BLACKOUT DRIVING LIGHT ASSEMBLY

Key	Part Name	Ford Part No.	Willys Part No.	Group Number
A	WASHER	FM-34941-S7	WO-53029	0607D
B	NUT	FM-33798-S7	WO-A-1532	0607D
C	HOUSING, assembly	FM-GPW-13217	WO-A-1439	0607D
D	GASKET	FM-GP-13209-B	WO-A-1071	0607D
E	LAMP	FM-B-13466	WO-51804	0607B
F	DOOR, assembly	FM-GPW-13210-B	WO-A-1070	0607D
G	SCREW	FM-28378-S2	WO-A-1072	0607D





Key	Part Name	Ford Part No.	Willlys Part No.	Group No.
A	SCREW	FM-36931-S2	WO-A-1077	0608
B	DOOR	FM-GP-13448-B	WO-A-1076	0608
C	LAMP-UNIT	FM-GP-13494-A	WO-A-1074	0607A
D	LAMP-UNIT	FM-GP-13491-A	WO-A-1075	0607A
E	HOUSING	FM-GPW-13408-B	WO-A-1073	0608

RA PD 342230

FIGURE 06-11—TAIL AND STOP LIGHT ASSEMBLY

GROUP 06—ELECTRICAL (Cont'd)

Figure Number	Official Stock Number	Piece Mark or Part Number		ITEM	Quant. Reqd. per Unit Assy.	Unit Price
		Ford No.	Willlys No.			
Col. 1	Col. 2	Col. 3	Col. 4	Col. 5	Col. 6	Col. 7
06-11	3320-GPW-13410 H004-0504432 H004-0504430	FM-GPW-13410 FM-GP-13448-B FM-GP-13449-A	WO-A-719 WO-A-1076 WO-A-1079	0608—TAILLIGHT	1 1 1	.179 .125 .125
06-11	G104-3067005	FM-36931-S2	WO-A-1077	NOTE: For LAMP-UNIT see group 0607A CABLE, blackout taillight to connector	4	
06-11	G121-0217900 H004-0504406	FM-GPW-13408-B FM-GP-13405-B	WO-A-1073 WO-A-1064	DOOR, blackout tail and service tail and stop light, assembly (CB-CB-9231) DOOR, blackout tail and blackout stop light (CB-CB-9232) SCREW, taillight door (CB-CB-9233)	2	
	H004-0504413	FM-GP-13404-B	WO-A-1065	HOUSING, tail and stop light, assembly (CB-CB-9212)	1	1.662
	H001-4167501 H001-1518007	FM-33795-S7 FM-34805-S2	WO-5790 WO-52706	LIGHT, blackout tail and service tail and stop, 6V., 7/8 stud lgh., assembly (CB-60142) (ORD-504406) LIGHT, blackout tail and blackout stop, 6V., 7/8 stud lgh., assembly (CB-60242) (ORD-504413) NUT, reg., hex., S., cd-pltd., 1/4-20NC-2 WASHER, lock, reg., S., 1/4 in.	1 4 4	1.71

0609—HORNS

H001-5419820	FM-GPW-13831	WO-A-1389	BRACKET, horn, assembly	1
H101-0114493	FM-24347-S2	WO-51396	BOLT, hex-hd, s-fin, S, 5/16-24NF-2 x 3/4 (GM-100013)	2
H001-7025711	FM-33909-S7	WO-52954	NUT, reg, hex, s-fin, S, cd-pltd, 5/16-24NF-2 (GM-114493)	2
H001-1531003	FM-34806-S7	WO-51833	WASHER, lock, reg, S, cd-pltd, 5/16 in.	2
	FM-34706-S7	WO-5437	WASHER, plain, S, cd-pltd, 5/16 in. (GM-106262)	2
	FM-GPW-13802	WO-A-1312	HORN, assembly (6 volt) (SPW-B-9427) (SZE-61400)	1
H001-5418300	FM-20325-S7	WO-5920	BOLT, hex-hd, S, cd-pltd, 1/4-28NF-2 x 5/8 (GM-106274)	2
H001-1518007	FM-34805-S2	WO-52706	WASHER, lock, reg, S, 1/4 in.	2
	FM-GPA-13802		HORN, assembly (12 volt) (Note 1)	1
	FM-34052-S2	WO-52182	NUT, adjusting, horn (mach-screw, hex, S, No. 8 (0.164)-32NC-2)	2
H001-1518004	FM-34802-S2	WO-52705	WASHER, horn adjusting nut (lock, reg, S, No. 8 (0.164))	2
			0609B—HORN BUTTON AND WIRING	
14-2	G160-0126260	WO-A-302	BRUSH, horn wire contact (RG-032087) (GM-263549)	1
	H001-5147511	WO-52131	SCREW, mach, rd-hd, S, cd-pltd, No. 8 (0.164)-32NC-2 x 1/4	2
	H001-1519006	WO-52754	WASHER, lock, S, internal tooth, flat type, No. 8 (0.164)	2
14-2, 18-1	7640-450054	WO-A-634	BUTTON, horn (RG-450054) (also in KIT, FM-GPW-18382, WO-A-6742) (see Group 1404 for horn button NUT)	1
06-12		WO-A-5081	CABLE, horn to junction block (also in KIT, FM-GPW-18361-B, WO-A-7845)	1
14-2	7640-7321-32	WO-A-752	CABLE, horn, assembly (RG-8287-32)	1
14-2	7640-029046	WO-638885	CUP, horn button spring (RG-029046) (also in KIT, FM-GPW-18382, WO-A-6742)	1
	7640-051033		FERRULE, insulating, horn button (superseded by FERRULE, FM-GPW-3635-B, WO-A-751)	1
14-2	7640-051035	WO-A-751	FERRULE, insulating, horn button (RG-051035) (supersedes FERRULE, FM-GPW-3635)	1
	3320-GPW-18382	WO-A-6742	KIT, repair, horn button	1
			(Consists of:	
		WO-A-634	1 BUTTON	
		WO-638885	1 CUP, spring	
		WO-A-751	1 FERRULE, insulating	
		WO-638884	1 SPRING	
		WO-A-750	1 WASHER, contact	
14-2	7640-063991	WO-A-747	RING, horn wire contact, assembly (RG-063991)	1
14-2	7640-401107	WO-638884	SPRING, horn button (RG-401107) (also in KIT, FM-GPW-18382, WO-A-6742)	1
14-2	7640-029049	WO-A-750	WASHER, horn button contact (RG-029049) (also in KIT, FM-GPW-18382, WO-A-6742)	1
			0610—BATTERY	
	G502-0116038	WO-A-1767	BATTERY, 6V., 15 plate, 116 amp. hr. (dry charged) (AL-TSR-2-15) (WB-SR-2-119)	1
	H015-0500903		BATTERY, moist uncharged, 6-8V., type 2H (ORD 500903)	1
	51-A1562-400	WO-A-11760	ELECTROLYTE, battery, and CONTAINER (use with dry charged battery, FM-11AS-10658, WO-A-1767)	1
	51-A1562-400		ELECTROLYTE, sp. gr. 1.345, for 6V., moist uncharged battery	1

Note 1—Only for vehicles modified by MWO ORD G503-W7 (see page 3).

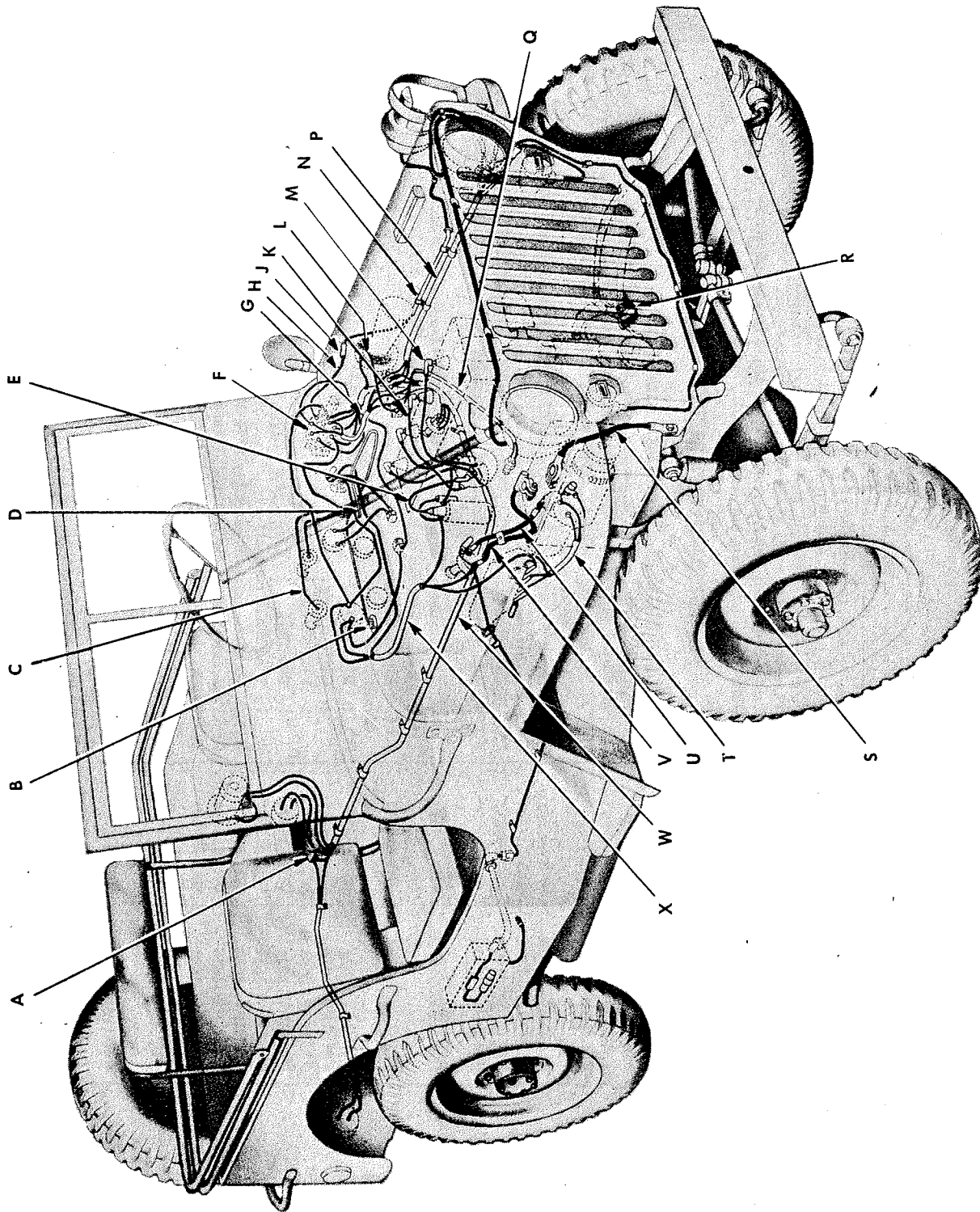


FIGURE 06-12—WIRING INSTALLATION

Key	Part Name	Ford Part No.	Willlys Part No.	Group No.	Key	Part Name	Ford Part No.	Willlys Part No.	Group No.
A	CONNECTOR	FM-GPW-14487-A	WO-635895	0606B	M	CABLE	FM-GPW-12287	WO-A-1412	0604A
B	GAGE	FM-GPW-9275-A	WO-A-1292	0300A	N	CABLE	FM-GPW-13175-C	WO-A-11770	0607D
C	SOCKET, w/ CABLE, assembly	FM-GPW-13710	WO-A-1411	0605C	P	HARNESS	FM-GPW-14425	WO-A-1665	0606B
D	CABLE	FM-GPW-14458	WO-A-5072	0606B	Q	HARNESS	FM-GPW-14446	WO-A-5061	0606B
E	CABLE	FM-GPW-12298-B	WO-A-1420	0604A	R	STRAP	FM-GPW-14303	WO-A-1098	2603
F	SWITCH, assembly	FM-G8T-11649	WO-A-11866	0606	S	STRAP	FM-GPW-14301-B	WO-A-1320	0610B
G	HARNESS	FM-GPW-14402-B	WO-A-6154	0606B	T	HARNESS	FM-GPW-14305	WO-A-5074	0606B
H	CABLE	FM-GPW-13181	WO-A-6153	0606B	U	CABLE	FM-GPW-14431	WO-A-1454	0610B
J	CONNECTOR	FM-GPW-14487-B	WO-635981	0606B	V	CABLE	FM-GPW-14300	WO-A-1452	0610B
K	CABLE	FM-GPW-12284	WO-A-1414	0604A	W	HARNESS	FM-GPW-14401-D	WO-A-5048	0606B
L	CABLE	FM-GPW-14409	WO-A-5081	0609B	X	HARNESS	FM-GPW-14432	WO-A-5981	0606B

RA PD 342251A

FIGURE 06-12A—LEGEND FOR 06-12—WIRING INSTALLATION

GROUP 06—ELECTRICAL (Cont'd)

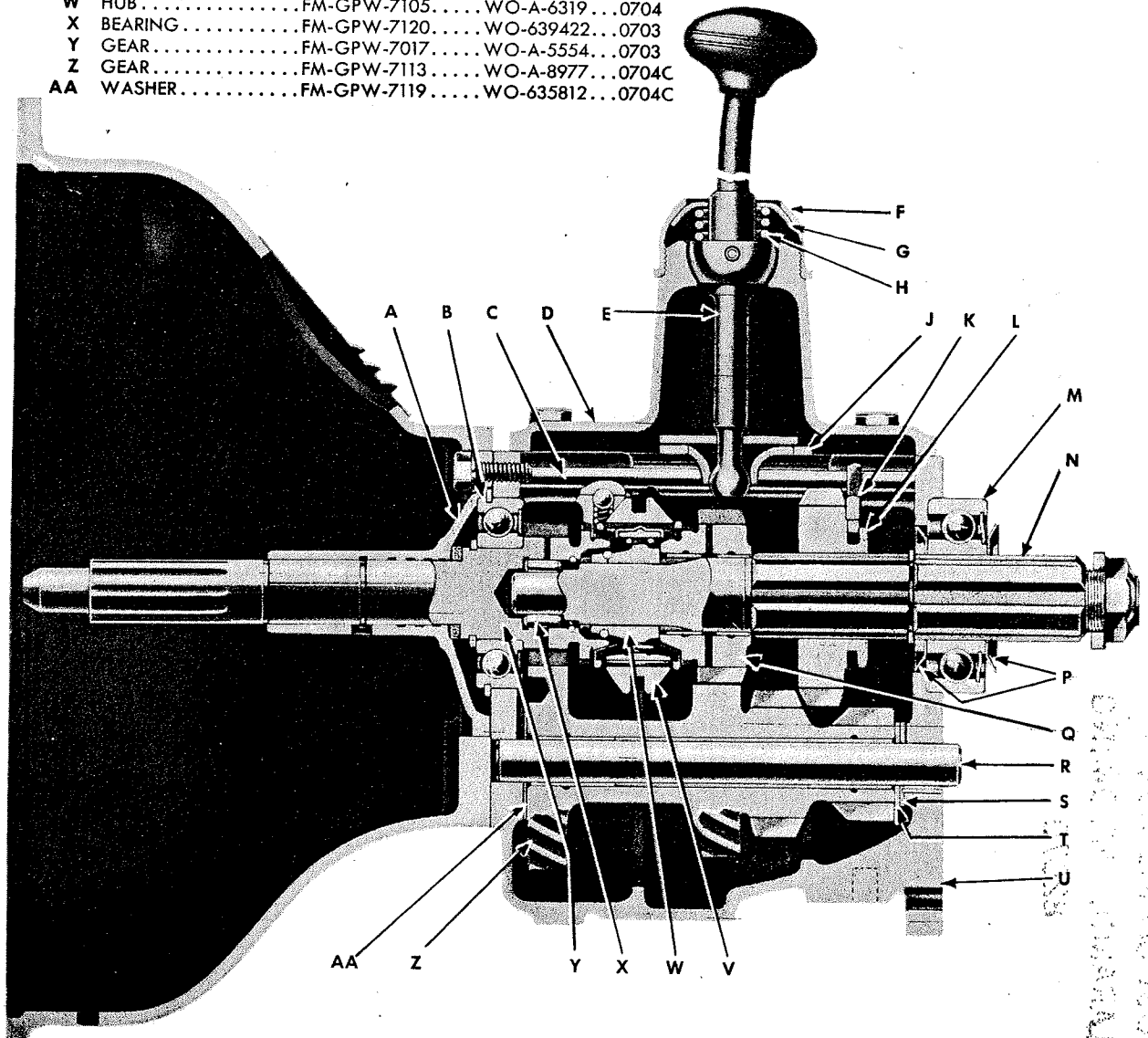
Figure Number	Official Stock Number	Piece Mark or Part Number		ITEM	Quant. Reqd. per Unit Assy.	Unit Price
		Ford No.	Willlys No.			
Col. 1	Col. 2	Col. 3	Col. 4	Col. 5	Col. 6	Col. 7
				0610A—BATTERY HANGERS		
		FM-GPW-10693		BRACKET, battery hold-down, center (Note 1)	1	
		FM-GPW-10692		BRACKET, battery hold-down, end (Note 1)	2	
	3320-GPW-5165	FM-GPW-5165	WO-A-1291	FRAME, hold-down, battery	1	.326
		FM-GPW-5175	WO-A-1164	BOLT, S., 5/16-18NC-2 x 9	2	.138
		FM-34806-S7	WO-300329	NUT, wing, S., 5/16-18NC-2	2	
	H001-7025711	FM-356305-S	WO-51833	WASHER, lock, reg, S., cd-pltd., 3/8 in. (GM-103320)	2	
	3320-33897-S2	FM-33897-S2	WO-52768	WASHER, plain, S., 2 1/4 in.	2	
				NUT, battery hold-down (wing, 3/8-16NC-2) (Note 1)	2	.0083
					6	

Note 1—Only for vehicles modified by MWO ORD G503-W7. (see page 3).

GROUP 06—ELECTRICAL (Cont'd)

Figure Number	Official Stock Number	Piece Mark or Part Number		ITEM	Quant. Reqd. per Unit Assy.	Unit Price
		Ford No.	Willlys No.			
Col. 1	Col. 2	Col. 3	Col. 4	Col. 5	Col. 6	Col. 7
				0610A—BATTERY HANGERS (Cont'd)		
	H001-1518008	FM-GPW-5168 FM-33896-S2 FM-34806-S2 FM-356305-S	WO-A-1757 WO-A-2466 WO-51833 WO-52768	STRAP, battery frame to front fender. NUT, wing, S., $\frac{5}{16}$ -18NC-2 WASHER, lock, reg., S., $\frac{5}{16}$ in. (GM-103320) WASHER, plain, S., $\frac{2}{4}$ in.	1 1 1 1	.0083
				0610B—BATTERY CABLES AND CONNECTIONS		
06-12	3320-GPW-14300	FM-350343-S16	WO-335912	BOLT, terminal clamp, w/NUT, assembly (superseded by BOLT, assembly FM-350343-S16, WO-9093)	2	
06-12	3320-GPW-14431	FM-GPW-14300 FM-GPW-14431 FM-34056-S16	WO-A-9093 WO-A-1452 WO-A-1454 WO-A-9094 WO-A-1320 WO-635883	BOLT, terminal clamp, w/NUT, assembly (supersedes BOLT, assembly, WO-335912) CABLE, battery to starting switch, positive CABLE, starting switch to cranking motor NUT, terminal clamp bolt (hex., S., cd-pltd., $\frac{5}{16}$ -18NC-2) STRAP, battery ground	2 1 1 2 1	.472 .212
06-12	3320-GPW-14301-B H001-5421240 H001-4167600 H001-1518009	FM-GPW-14301-B FM-24369-S FM-33800-S FM-34807-S2 FM-34747-S7	WO-50151 WO-5901 WO-A-1680 WO-A-1680	STRAP, battery ground (14 $\frac{1}{2}$ in.) BOLT, hex-hd., S., $\frac{3}{8}$ -24NF-2 x $\frac{7}{8}$ (GM-106285) NUT, reg, hex., S., $\frac{3}{8}$ -24NF-2 (GM-103026) WASHER, lock, reg., S., $\frac{3}{8}$ in. (GM-103321) WASHER, plain, S., cd-pltd., $\frac{3}{8}$ in.	1 1 1 1	.261
	3320-11A-14452 3320-19B-14451	FM-11A-14452 FM-19B-14451	WO-371400 WO-372668	TERMINAL, battery cable TERMINAL, battery, positive cable clamp	1 1	.0425
				0610B-1—BATTERY CABLES AND CONNECTIONS (12 Volt) (Only for vehicles modified by MWO ORD G503-W2)		
	3320-GPWS-14301 3320-GPW-14300-B 3320-GPWS-14447	FM-GPWS-14301 FM-GPW-14300-B FM-GPWS-14447 FM-33797-S16		CABLE, battery ground CABLE, battery to cranking motor switch CONNECTOR, battery, series	1 1 1	
	3320-GPW-14555 3320-GPA-14451-C 3320-GPA-14450-C	FM-GPW-14555 FM-GPA-14451-C FM-GPA-14450-C		NUT, battery series connector TERMINAL, battery to cranking motor switch TERMINAL, negative, battery cable TERMINAL, positive, battery cable	2 1 1 1	

Key	Part Name	Ford Part No.	Willys Part No.	Group No.
A	RETAINER	FM-GPW-7050	WO-640017	.0703
B	BEARING	FM-GPW-7025-A	WO-636885	.0703
C	RAIL	FM-GPW-7240	WO-A-1156	.0706B
D	HOUSING, assembly	FM-GPW-7204	WO-635857	.0706A
E	LEVER, assembly	FM-GPW-7210-A	WO-A-1380	.0706A
F	CAP	FM-BB-7220	WO-A-1379	.0706A
G	WASHER	FM-BB-7228	WO-635863	.0706A
H	SPRING	FM-GPW-7227	WO-392328	.0706A
J	PLATE	FM-GPW-7211-B	WO-A-7260	.0706A
K	FORK	FM-GPW-7231	WO-636197	.0706C
L	GEAR	FM-GPW-7100	WO-636879	.0704
M	BEARING	FM-GP-7065	WO-A-916	.0704
N	SHAFT	FM-GPW-7061	WO-A-519	.0704
P	WASHER	FM-GPW-7080	WO-A-410	.0704
Q	GEAR	FM-GPW-7102	WO-638798	.0704
R	COUNTERSHAFT	FM-GPW-7111	WO-638948	.0704C
S	WASHER	FM-GPW-7126	WO-A-879	.0704C
T	WASHER	FM-GPW-7129-A	WO-635811	.0704C
U	CASE, assembly	FM-GPW-7005	WO-A-1148	.0701
V	SLEEVE	FM-GPW-7106	WO-637833	.0704
W	HUB	FM-GPW-7105	WO-A-6319	.0704
X	BEARING	FM-GPW-7120	WO-639422	.0703
Y	GEAR	FM-GPW-7017	WO-A-5554	.0703
Z	GEAR	FM-GPW-7113	WO-A-8977	.0704C
AA	WASHER	FM-GPW-7119	WO-635812	.0704C



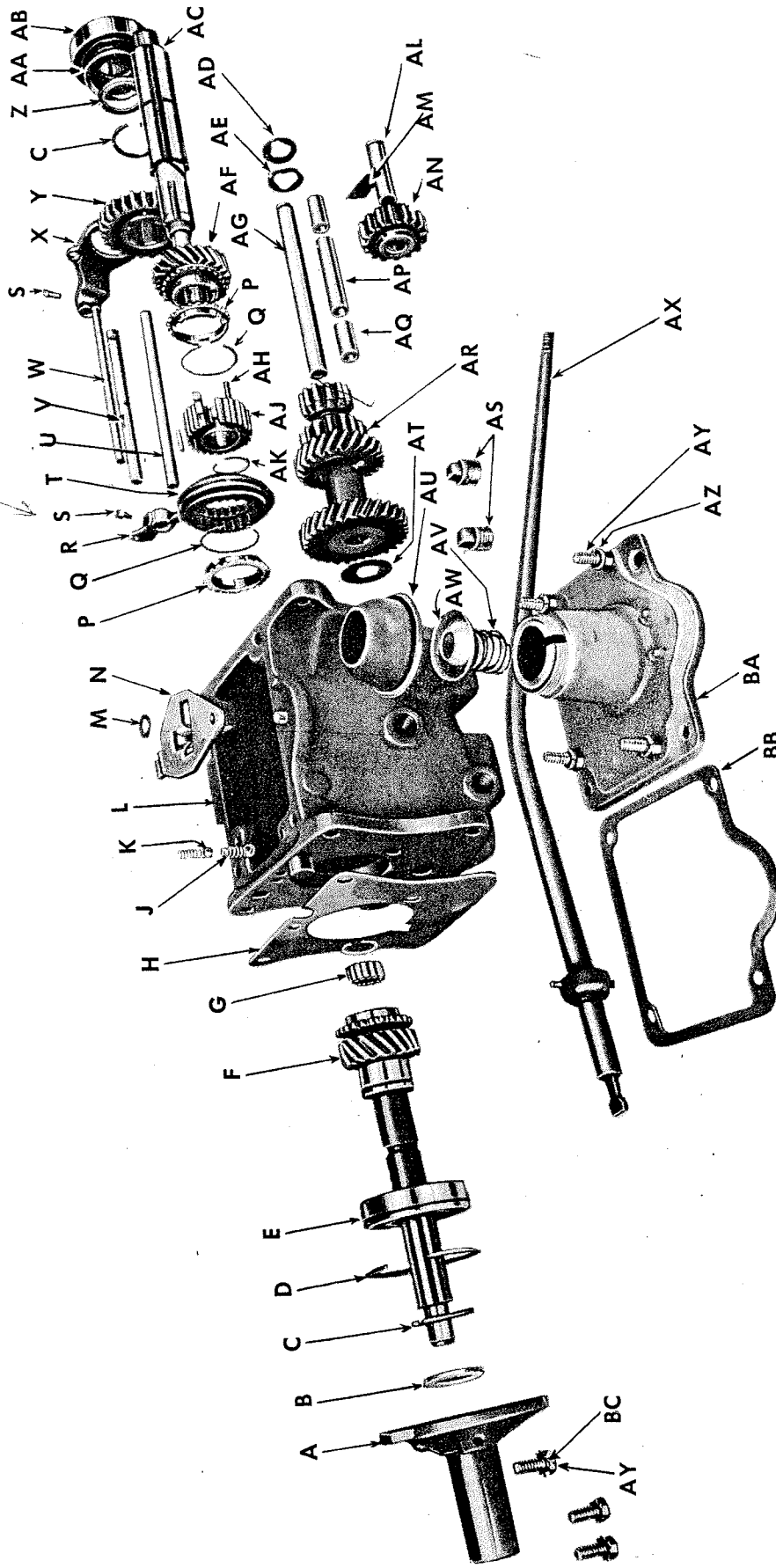
RA PD 342283

FIGURE 07-1—TRANSMISSION ASSEMBLY—SECTIONAL VIEW

POST OFFICE BOX 791
LARAMIE, WYOMING

82070

SNL G-503



RA PD 342287

FIGURE 07-2—TRANSMISSION ASSEMBLY—EXPLODED VIEW

Key	Part Name	Ford Part No.	Willlys Part No.	Group No.	Key	Part Name	Ford Part No.	Willlys Part No.	Group No.
A	RETAINER	FM-GPW-7050	WO-640017	0703	AC	SHAFT	FM-GPW-7061	WO-A-519	0704
B	OIL SEAL	FM-GPW-7052	WO-640018	0703	AD	WASHER	FM-GPW-7126	WO-A-879	0704C
C	SNAP RING	FM-GPW-7064	WO-635844	0703	AE	WASHER	FM-GPW-7129-A	WO-635811	0704C
D	SNAP RING	FM-B-7070	WO-635846	0703	AF	GEAR	FM-GPW-7102	WO-638798	0704
E	BEARING	FM-GPW-7025-A	WO-636885	0703	AG	COUNTERSHAFT	FM-GPW-7111	WO-638948	0704C
F	GEAR	FM-GPW-7017	WO-A-5554	0703	AH	PLATE	FM-GPW-7116	WO-637832	0704
G	BEARING	FM-GPW-7120	WO-639422	0703	AJ	HUB	FM-GPW-7105	WO-A-6319	0704
H	GASKET	FM-GPW-7051-B	WO-637495	0701	AK	SNAP RING	FM-GPW-7059	WO-637835	0704
J	SPRING	FM-GPW-7234	WO-635837	0706B	AL	SHAFT	FM-GPW-7140	WO-638952	0704C
K	BALL	FM-353081-S	WO-635838	0706B	AM	PLATE	FM-GPW-7155	WO-638949	0704C
L	CASE, assembly	FM-GPW-7005	WO-A-1148	0701	AN	GEAR	FM-GPW-7141	WO-636882	0704C
M	SPRING	FM-GPW-7208	WO-635839	0706A	AP	SPACER	FM-GPW-7115	WO-A-880	0704C
N	PLATE	FM-GPW-7211-B	WO-A-7260	0706A	AQ	BUSHING	FM-GPW-7121	WO-A-878	0704C
P	RING	FM-GPW-7107	WO-637834	0704	AR	GEAR	FM-GPW-7113	WO-A-8977	0704C
Q	SPRING	FM-GPW-7109	WO-637831	0704	AS	PLUG	FM-353064	WO-5140	0701
R	FORK	FM-GPW-7230	WO-636196	0706C	AT	WASHER	FM-GPW-7119	WO-635812	0704C
S	SCREW	FM-GPW-7245	WO-636200	0706C	AU	CAP	FM-BB-7220	WO-A-1379	0706A
T	SLEEVE	FM-GPW-7106	WO-637833	0704	AV	SPRING	FM-GPW-7227	WO-392328	0706A
U	RAIL	FM-GPW-7241	WO-A-1155	0706B	AW	WASHER	FM-BB-7228	WO-635863	0706A
V	RAIL	FM-GPW-7240	WO-A-1156	0706B	AX	LEVER	FM-GPW-7210-A	WO-A-1380	0706A
W	PIN	FM-GPW-7206	WO-635836	0706C	AY	BOLT	FM-20366-S	WO-6428	0706A
X	FORK	FM-GPW-7231	WO-636197	0706C	AZ	WASHER	FM-34806-S7	WO-51833	0706A
Y	GEAR	FM-GPW-7100	WO-636879	0704	BA	HOUSING, assembly	FM-GPW-7204	WO-635857	0706A
Z	SPACER	FM-GPW-7062	WO-A-738	0704	BB	GASKET	FM-GPW-7223	WO-635861	0706A
AA	WASHER	FM-GPW-7080	WO-A-410	0704	BC	WASHER	FM-34941-S7	WO-53029	0703
AB	BEARING	FM-GP-7065	WO-A-916	0704					

FIGURE 07-2A—LEGEND FOR 07-2—TRANSMISSION ASSEMBLY—EXPLODED VIEW

GROUP 07 — TRANSMISSION

Figure Number	Official Stock Number	Piece Mark or Part Number		I T E M	Quant. Reqd. per Unit Assy.	Unit Price
		Ford No.	Willys No.			
Col. 1	Col. 2	Col. 3	Col. 4	Col. 5	Col. 6	Col. 7
				GROUP 07 — TRANSMISSION 0700 — TRANSMISSION ASSEMBLY		
01-1	9410-AS2-T-84-J	FM-GPW-7000 FM-24489-S FM-355597-S FM-24409-S7 FM-33800-S7 FM-34807-S2	WO-A-7596 WO-A-1145 WO-52379 WO-630101 WO-6606 WO-52542 WO-5010	TRANSMISSION, w/release BEARING, assembly (includes: clutch release BEARING, clutch bearing CARRIER, clutch bearing carrier SPRING, clutch control LEVER, clutch control lever CABLE) TRANSMISSION, w/gear shift LEVER, assembly (WG-AS2-T-84-J) BOLT, hex-hd., S, $\frac{3}{8}$ -24NF-2 x 1 $\frac{1}{2}$ BOLT, hex-hd., S, $\frac{3}{8}$ -24NF-2 x 2 $\frac{1}{8}$ (dowel) BOLT, hex-hd., S, cd-pltd., $\frac{3}{8}$ -24NF-2 x 1 $\frac{1}{2}$ NUT, reg., hex., S, cd-pltd., $\frac{3}{8}$ -24NF-2 WASHER, lock, S, SAE std., $\frac{3}{8}$ in.	1 1 2 2 4 8 8	47.26
07-1, 2	9410-AT-84J-1A	FM-GPW-7005-A FM-GPW-7005	WO-A-1148	0701 — CASE CASE, transmission CASE, transmission, assembly (WG-T-84J-1A) (includes: oil retaining CUP and countershaft washer PIN)	1 1	8.31
07-2	9410-T-84D-14C	FM-GPW-7051-B FM-GPW-18356	WO-637495 WO-A-1542	GASKET, transmission case to flywheel housing (Victorite, 0.015 thk.) (WG-T84D-14C) (also in GASKET SET, FM-GPW-18356-B, WO-A-7832) GASKET SET, transmission (superseded by GASKET SET, FM-GPW-18356-B, WO-A-7832)	1 1	
		FM-GPW-7223 FM-GPW-7051-B FM-GPW-7756 FM-GPW-18356-B	WO-635861 WO-637495 WO-A-1435 WO-A-7832	(Consists of: 1 GASKET, gearshift lever housing 1 GASKET, main drive gear bearing retainer 1 GASKET, transmission to transfer case) GASKET SET, transmission (supersedes GASKET SET, FM-GPW-18356, WO-A-1542)	1	
07-2		FM-GPW-7051-B FM-GPW-7223 FM-GPW-7052 FM-GPW-7207 FM-353064-S	WO-637495 WO-635861 WO-640018 WO-635862 WO-5140	(Consists of: 1 GASKET, case to flywheel housing 1 GASKET, gearshift lever housing 1 OIL SEAL, main gear bearing retainer 1 PACKING, gearshift lever housing) PLUG, drain and filler, transmission (pipe, sq-hd., I, $\frac{1}{2}$ in.)	2	.0125
	H012-1340035	FM-GPW-7025		0703 — MAIN DRIVE GEAR AND BEARINGS BEARING, transmission main drive gear (FB-1207-GF) (superseded by BEARING, FM-GPW-7025-A, WO-636885)	1	1.19

07-1, 2	H012-1340035	FM-GPW-7025-A	WO-636885	BEARING, ball, annular, single row, single oil shield, snap ring groove (2.834 O.D. x 1.378 I.D.) (transmission main drive gear) (FB-1207-MGF) (WG-X-3204-ML) (supersedes BEARING, FM-GPW-7025)	1	.0033
07-1, 2	9410-T-84G-26	FM-GPW-7120	WO-639422	BEARING, roller, S, spherical end type, 0.527 lgth. x 0.1875 diam. (transmission main drive gear pilot) (BN-C-1110-Q) (WG-T-84G-26)	13	4.94
07-1, 2	9410-T-84J-16A	FM-GPW-7017	WO-A-5554	GEAR, main drive, transmission (S, 17 teeth, 2.048 O.D.) (WG-T-84J-16A)	1	6.304
07-2	3320-GPW-7015	FM-GPW-7015	WO-A-5553	GEAR, main drive, transmission, w/BEARINGS, assembly (WG-AT-84J-16A)	1	.0047
07-1, 2	9410-T-84J-54	FM-GPW-7052	WO-640018	OIL SEAL, transmission main drive gear bearing retainer (WG-T-84J-54) (also in GASKET SET, FM-GPW-18356-B, WO-A-7832)	1	1.19
07-2	9410-T-84J-6	FM-GPW-7050	WO-640017	RETAINER, transmission main drive gear bearing (WG-T-84J-6)	3	.0019
07-2	H001-1013018	FM-20366-S	WO-6428	BOLT, hex-hd., S, 5/16-18NC-2 x 7/8 (GM-106325)	3	.0192
07-2	9410-T-84-17	FM-34941-S7	WO-53029	WASHER, lock, S, cd-pltd., external tooth, flat type, 5/16 in.	1	.0217
07-2	G104-1769814	FM-GPW-7064	WO-635844	SNAP RING, transmission main drive gear (1 1/16 in. I.D.) (WG-T-84-17)	1	.0018
	9410-T-84G-25	FM-B-7070	WO-635846	SNAP RING, transmission main drive gear bearing (2 1/16 in. I.D.) (WG-B-7070)	1	
		FM-GPW-7063	WO-639423	SNAP RING, transmission main drive gear pilot roller bearing (1.062 O.D.) (WG-T-84G-25)	1	
0704—MAIN SHAFT, GEARS AND BEARINGS						
07-1, 2	H012-1314035	FM-GP-7065	WO-A-916	BEARING, ball, annular, single row, 1.378 bore, 3.1496 O.D., 0.8268 width (transmission main shaft, rear end) (MRC-307) (SKF-6307-Z) (ND-7607)	1	1.45
07-1, 2	9410-T-84C-19	FM-GPW-7104	WO-635820	BUSHING, transmission main shaft second speed gear (superseded by BUSHING, FM-GPW-7104-A, WO-640006)	1	.0448
07-1, 2	9410-T-84F-12A	FM-GPW-7100	WO-640006	BUSHING, transmission main shaft second speed gear (WG-T-84C-19) (supersedes BUSHING, FM-GPW-7104, WO-635820)	1	
07-1, 2	9410-T-84F-11A	FM-GPW-7102	WO-636879	GEAR, sliding, transmission main shaft, low and reverse (3.265 O.D. x 1 1/4 thk., 25 teeth) (WG-T-84F-12A)	1	1.89
07-1, 2	9410-T-84J-2 1/2	FM-GPW-7105	WO-638798	GEAR, transmission main shaft, second speed, w/BUSHING, assembly (2.090 O.D., 24 teeth) (WG-T-84F-11A)	1	2.79
07-2	9410-T-84F-13	FM-GPW-7082	WO-A-6319	HUB, transmission main shaft second and high speed clutch (WG-T-84J-2 1/2)	1	1.906
07-2	9410-T-84F-14	FM-GPW-7116	WO-A-15428 *	OIL SEAL, transmission main shaft (Note 1)	1	.0039
07-1, 2	9410-T-84H-2	FM-GPW-7107	WO-637832	PLATE, shifting, transmission main shaft synchronizer (WG-T-84F-13)	3	.424
		FM-GPW-7061	WO-637834	RING, blocking, transmission main shaft synchronizer (WG-T-84F-14)	2	3.44
		FM-GPW-7060	WO-A-519	SHAFT, main, transmission (dld. f/c-pin) (WG-T-84F-12)	1	
		FM-GPW-7106	WO-A-518	SHAFT, main, transmission, w/GEARS, assembly	1	
		FM-GPW-7059	WO-A-6317	SHAFT, main, transmission, w/GEARS, and blocking RING, assembly (WG-1AT-84H-2)	1	11.47
		FM-GPW-7062	WO-637833	SLEEVE, transmission main shaft second and high speed clutch (WG-T-84F-15)	1	1.564
		FM-GPW-7062-B	WO-637835	SNAP RING, transmission main shaft second and high speed clutch hub (1 1/2 in. I.D.) (WG-4686)	1	.0124
		FM-GPW-7109	WO-A-738	SPACER, transmission main shaft bearing (WG-T-84J-28)	1	.0885
		FM-GPW-7124	A-15427	SPACER, transmission main shaft bearing (Note 1)	1	.0036
		FM-GPW-7080	WO-637831	SPRING, transmission main shaft synchronizer (WG-4682-K)	2	
			WO-A-6318	SYNCHRONIZER, transmission main shaft, w/blocking RING, assembly (WG-1AT-84J-2 1/2)	1	3.54
			WO-A-410	WASHER, oil retaining, transmission main shaft (WG-T-184H-137)	2	.0143

Note 1 — Used in only transmission with raised "H" on case near filler hole.

GROUP 07—TRANSMISSION (Cont'd)

Figure Number	Official Stock Number	Piece Mark or Part Number		ITEM	Quant. Req'd. per Unit Assy.	Unit Price
		Ford No.	Willlys No.			
Col. 1	Col. 2	Col. 3	Col. 4	Col. 5	Col. 6	Col. 7
				0704C—COUNTERSHAFT AND REVERSE IDLER SHAFTS, GEARS AND BEARINGS		
07-2	9410-T-84J-187 9410-T-84-85A	FM-GPW-7121 FM-GPW-7143	WO-A-878	BUSHING, transmission countershaft gear (WG-T-84J-167) BUSHING, transmission reverse idler gear (superseded by BUSHING, FM-GPW-7143-A, WO-635804)	2	.166
	9410-T-84-85A	FM-GPW-7143-A	WO-635804	BUSHING, transmission reverse idler gear (WG-T-84-85A) (supersedes BUSHING, FM-GPW-7143)	1	.045
07-1, 2	9410-T-84G-J3	FM-GPW-7111	WO-638948 WO-A-739	COUNTERSHAFT, transmission (WT-T-84G-J3) GEAR, cluster, transmission countershaft, w/BUSHING and SPACER, assembly (WG-AT-84F-8)	1	.619
07-1, 2	9410-T-84J-8 9410-AT-84F-10A	FM-GPW-7113 FM-GPW-7141	WO-A-8977 WO-636882	GEAR, cluster, transmission countershaft GEAR, transmission reverse idler, w/BUSHING, assembly (O.D. 2.167 x 0.996 thk., 16 teeth) (WG-AT-84F-10A)	1	6.47
07-2	9410-T-84J-31	FM-357417-S	WO-A-524	PIN, transmission countershaft washer (WG-T-84J-31)	1	1.63
07-2	9410-T-84G-48	FM-GPW-7155	WO-638949	PLATE, lock, transmission countershaft and reverse idler shaft (WG-T-84G-48)	1	.0167
07-2	9410-T-84G-J35	FM-GPW-7140	WO-638952	SHAFT, transmission reverse idler gear (WG-T-84G-J35)	1	.195
07-2	9410-T-84G-28	FM-GPW-7115	WO-A-880	SPACER, transmission countershaft gear bushing (WG-T-84J-28)	1	.126
07-1, 2	9410-T-84B-30A 9410-T-84-29	FM-GPW-7119 FM-GPW-7129	WO-635812	WASHER, thrust, transmission countershaft, front (WG-T-84B-30A) WASHER, thrust, transmission countershaft, rear (superseded by WASHER, FM-GPW-7129-A, WO-635811)	1	.0318
07-1, 2	9410-T-84-29	FM-GPW-7129-A	WO-635811	WASHER, thrust, transmission countershaft, rear (bz.) (WG-T-84-29) (supersedes WASHER, FM-GPW-7129)	1	.0432
07-1, 2	9410-T-84J-29	FM-GPW-7126	WO-A-879	WASHER, thrust, transmission countershaft, rear (S.) (WG-T-84J-29)	1	.101
				0706A—GEARSHIFT LEVER AND PARTS		
07-1, 2	9410-C8-2 1/2 8080-39Q20	FM-GPW-7217 FM-GPW-7213	WO-A-1381 WO-A-971	BALL, fulcrum, transmission gearshift lever (WG-C8-2 1/2) BALL, transmission gearshift lever (rubber)	1	
07-1, 2	9410-4496K	FM-BB-7220	WO-A-1379	CAP, transmission gearshift lever housing (WG-4496-K)	1	.0833
07-2	9410-T-84-115	FM-GPW-7111286-A3 FM-GPW-7223	WO-A-3783 WO-635861	COVER, transmission gearshift lever housing (rubber) GASKET, transmission gearshift lever housing (WG-T-84-115) (also in GASKET SET, FM-GPW-18356-B, WO-A-7832)	1	.285
07-1, 2	9410-T-84A-148	FM-GPW-7204	WO-635857	HOUSING, transmission gearshift lever, assembly (includes: PLATES and RIVET)	1	.006
07-2	H001-1013018	FM-20366-S	WO-6428	BOLT, hex-hd., S, 5/16-18NC-2 x 7/8 (GM-106325)	4	2.183
07-2	H001-7025711 9410-AC-84J-2A	FM-34806-S7 FM-GPW-7210	WO-51833	WASHER, lock, S, cd-pltd., SAE std., 5/16 in. LEVER, transmission gearshift	4	

01-1; 07-1, 2; 18-1	9410-4611	FM-GPW-7210-A	WO-A-1380	LEVER, transmission gearshift, assembly (WG-AC-84J-2A).....	1	1.42
	9410-T-84-30	FM-GPW-7207	WO-635862	PACKING, transmission gearshift lever housing (also in GASKET SET, FM-GPW-18356-B, WO-A-7832).....	1	.0041
	9410-C-84B-12A	FM-357418-S	WO-635840	PIN, fulcrum, transmission gearshift lever guide plate (WG-T-84-30).....	1	.0508
	9410-T-84B-32	FM-GPW-7221	WO-A-1382	PIN, transmission gearshift lever fulcrum ball (WG-C-84B-12A).....	1	.0559
	9410-T-84B-25	FM-GPW-7214	WO-635859	PLATE, guide, transmission gearshift lever (WG-T-84B-32) (superseded by PLATE, FM-GPW-7211-B, WO-A-7260).....	1	.0585
	3320-GPW-7216	FM-GPW-7216	WO-A-7261	PLATE, guide, transmission gearshift lever (superseded by PLATE, FM-GPW-7211-B, WO-A-7260).....	1	
07-1, 2		FM-GPW-7211-B	WO-A-7260	PLATE, guide, transmission gearshift lever (WG-AT-84I-25) (supersedes PLATE, FM-GPW-7214, WO-635859 and WO-635841, and FM-GPW-7216, WO-A-7261).....	1	.538
07-2	9410-T-84-31	FM-62216-S	WO-635860	RIVET, S, fl-hd., $\frac{3}{8}$ x $\frac{1}{8}$ (transmission gearshift lever housing) (WG-X-3089BH).....	2	.0163
07-1, 2	9410-4498K	FM-GPW-7208	WO-635839	SPRING, transmission gearshift lever guide plate (WG-T-84-31).....	1	.0274
07-1, 2	9410-4497	FM-GPW-7227	WO-392328	SPRING, support, transmission gearshift lever (WG-4498K).....	1	.03
		FM-BB-7228	WO-635863	WASHER, transmission gearshift lever housing cap (WG-4497).....	1	
07-2	9410-X2136	FM-353081-S	WO-635838	BALL, poppet, transmission gearshift rail (S, $\frac{3}{8}$ O.D.) (WG-X-2136).....	2	
	9410-4684	FM-GPW-7056	WO-637503	CUP, oil retaining, transmission second and high speed gearshift rail.....	1	.094
	9410-T-84J-86A	FM-GPW-7233	WO-A-1385	PLUNGER, transmission gearshift rail interlock (WG-84J-86A).....	1	.0663
07-1, 2	9410-T-84J-21A	FM-GPW-7240	WO-A-1156	RAIL, shift, transmission low speed and reverse gear (WG-T-84J-21).....	1	.619
07-2	9410-T-84J-20A	FM-GPW-7241	WO-A-1155	RAIL, shift, transmission second and high speed gear (WG-T-84J-20A).....	1	.733
07-2	9410-T-84-42	FM-GPW-7234	WO-635837	SPRING, transmission gearshift rail poppet ball (WG-T-84-42).....	2	.0096
0706C—GEARSHIFT FORKS						
07-1, 2	9410-T-84C-24A	FM-GPW-7231	WO-636197	FORK, shift, transmission low speed and reverse gear (WG-T-84C-24A).....	1	1.091
07-2	9410-T-84C-23A	FM-GPW-7230	WO-636196	FORK, shift, transmission second and high speed gear (WG-T-84C-23A).....	1	.847
07-2	9410-T-8422	FM-GPW-7206	WO-635836	PIN, guide, transmission gearshift fork (WG-T-84-22).....	1	.123
07-2	G503-7002601	FM-GPW-7245	WO-636200	SCREW, lock, transmission gearshift fork (WG-4418-M).....	2	.0347
01-2	G503-0131675	FM-GPW-7700	WO-A-1195	CASE, transfer, assembly (for use with external contracting type hand brake).....	1	72.46
		FM-24408-S	WO-52911	BOLT, hex-hd., S, $\frac{3}{8}$ -16NC-2 x 1 $\frac{1}{2}$	5	
		FM-24388-S7	WO-51405	BOLT, hex-hd., S, cd-pltd., $\frac{3}{8}$ -16NC-2 x 1.....	1	
	H001-1518009	FM-34807-S2	WO-5010	WASHER, lock, S, SAE std., $\frac{3}{8}$ in.....	6	
	3320-GPW-7704-D	FM-GPW-7704B	WO-A-8859	CASE, transfer, w/hand BRAKE, assembly (for use with internal expanding type hand brake).....	1	

GROUP 08—TRANSMISSION TRANSFER CASE

0800—TRANSFER CASE ASSEMBLY

GROUP 08—TRANSMISSION TRANSFER CASE (Cont'd)

Figure Number	Official Stock Number	Piece Mark or Part Number		I T E M	Quant. Reqd. per Unit Assy.	Unit Price
		Ford No.	Willys No.			
Col. 1	Col. 2	Col. 3	Col. 4	Col. 5	Col. 6	Col. 7
	8080-BM117	FM-GPW-18355	WO-A-1543	0800—TRANSFER CASE ASSEMBLY (Cont'd) GASKET SET, transfer case overhaul (superseded by GASKET SET, FM-GPW-18355-B, WO-A-7443)	1	
		FM-GP-7746	WO-A-1134	(Consists of: 2 GASKET, output shaft oil seal		
		FM-GPW-7773	WO-A-957	1 GASKET, output shaft front bearing cap		
		FM-GP-7709	WO-A-954	1 GASKET, transfer case bottom cover		
		FM-GPW-7703	WO-A-1509	1 GASKET, transfer case rear cover		
		FM-GPW-7756	WO-A-1435	1 GASKET, transfer case to transmission		
		FM-GP-7770-A	WO-A-958	2 OIL SEAL, output shaft		
	H013-0500007	FM-GP-7798	WO-A-974	2 OIL SEAL, shift rod		
	3320-GPW-18355-B	FM-GPW-18355-B	WO-A-7443	GASKET SET, transfer case overhaul (supersedes GASKET SET, FM-GPW-18355, WO-A-1543)	1	.244
		FM-CPW-7773	WO-A-957	(Consists of: 1 GASKET, output shaft front bearing cap		
		FM-GPW-7707	WO-A-1509	1 GASKET, rear cover		
		FM-GPW-7709	WO-A-954	1 GASKET, bottom cover		
		FM-GP-7746	WO-A-1134	2 GASKET, oil seal		
		FM-GPW-7756	WO-A-1435	1 GASKET, transfer case to transmission		
	3320-GPW-18317	FM-GPW-18317	WO-A-7445	OIL SEAL SET, transfer case	1	.912
		FM-GP-7770-A	WO-A-958	(Consists of: 2 OIL SEAL, output shaft		
		FM-GP-7798-A	WO-A-974	2 OIL SEAL, shift rod		
		FM-GPW-7754	WO-A-934	0801—CASE AND COVERS BREATHER, transfer case, assembly (SP-5951X)	1	5.685
08-2	8080-5951X	FM-GPW-7774	WO-A-956	CAP, transfer case output shaft front bearing (SP-18-19-8)	1	.0125
08-1, 2	8080-18-19-8	FM-355554-S	WO-A-1136	BOLT, hex-hd., S, head did. f/c-pin, 3/8-16NC-3 x 1 (SP-122-D)	5	.0042
	G102-0305579	FM-356205-S	WO-A-1135	WASHER, flat, copper, 5/8 I.D. x 5/8 O.D. x 1/2 thk. (SP-477W)	5	
	G102-0306828	FM-GPW-7769	WO-A-9077	CAP, transfer case output shaft rear bearing, less bushing	1	
08-2; 12-6	3320-GPW-7768	FM-GPW-7768	WO-A-1507	CAP, transfer case output shaft rear bearing, w/BUSHING, assembly (SP-6452X)	1	2.704
		FM-355554-S	WO-A-1136	(Note 1) BOLT, hex-hd., S, head did. f/c-pin, 3/8-16NC-3 x 1 (SP-122-D)	1	.0125
	G102-0305579	FM-355533-S	WO-A-1137	BOLT, hex-hd., S, head did. f/c-pin, 3/8-16NC-3 x 2 (SP-634-D)	3	.0258
	8080-SP634-D	FM-356205-S	WO-A-1135	WASHER, flat, copper, 5/8 I.D. x 5/8 O.D. x 1/2 thk. (SP-477W)	4	.0042
	G102-0306828					

Note 1—For use with external contracting type hand brake.

Key	Part Name	Ford Part No.	Willlys Part No.	Group Number
A	COVER.....	FM-GPW-7706.....	WO-A-1508.....	.0801
B	NUT.....	FM-356134-S18.....	WO-A-520.....	.0802
C	GEAR.....	FM-GP-7722.....	WO-A-1510.....	.0802
D	BEARING.....	FM-GP-7065.....	WO-A-916.....	.0704
E	SHIELD.....	FM-GPW-7080.....	WO-A-410.....	.0704
F	GEAR.....	FM-GP-7742.....	WO-A-999.....	.0804
G	BEARING.....	FM-GP-7718-A.....	WO-A-924.....	.0804
H	SHAFT.....	FM-GP-7743.....	WO-A-998.....	.0804
J	GEAR.....	FM-GPW-7762.....	WO-A-992.....	.0803
K	SHAFT.....	FM-GP-7761.....	WO-A-975.....	.0803
L	BEARING.....	FM-GP-7719.....	WO-A-1007.....	.0803
M	OIL SEAL.....	FM-GP-7770-A.....	WO-A-958.....	.0803
N	SHIELD.....	FM-GP-7776.....	WO-A-1111.....	.0803
P	YOKE.....	FM-GP-7729.....	WO-A-1106.....	.0803
Q	NUT.....	FM-356125-S.....	WO-A-980.....	.0803
R	CAP.....	FM-GPW-7774.....	WO-A-956.....	.0801
S	CUP.....	FM-01Y-1202.....	WO-52883.....	.0803
T	CONE and ROLLERS.....	FM-GP-7723.....	WO-51575.....	.0803
U	GEAR.....	FM-GP-7766.....	WO-A-989.....	.0803
V	GEAR.....	FM-GP-7765.....	WO-A-988.....	.0803
W	SHAFT.....	FM-GP-7763.....	WO-A-1764.....	.0803
X	GEAR.....	FM-GP-17285.....	WO-A-1511.....	.0810
Y	GEAR.....	FM-GPW-17271.....	WO-A-1512.....	.0810
Z	CASE.....	FM-GPW-7705.....	WO-A-1503.....	.0801

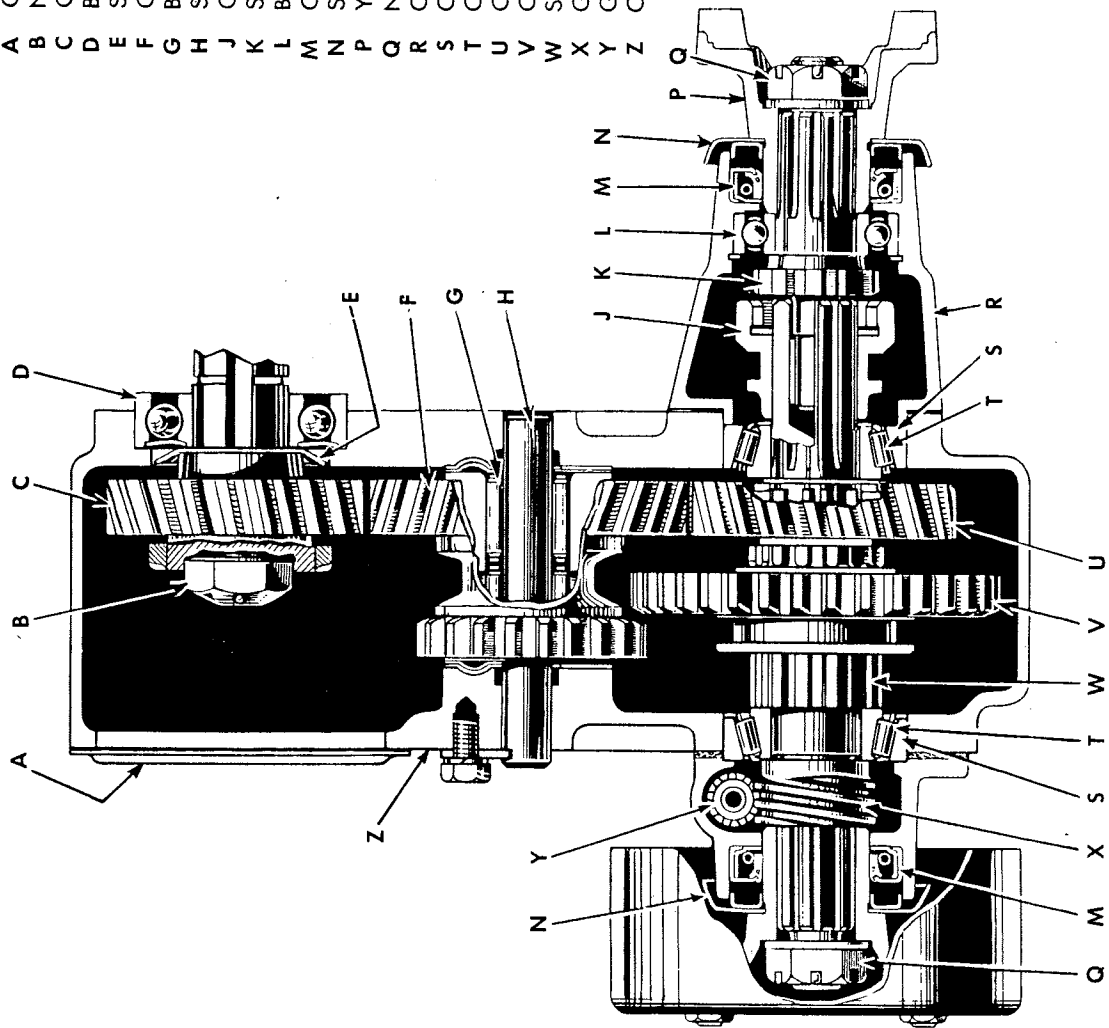
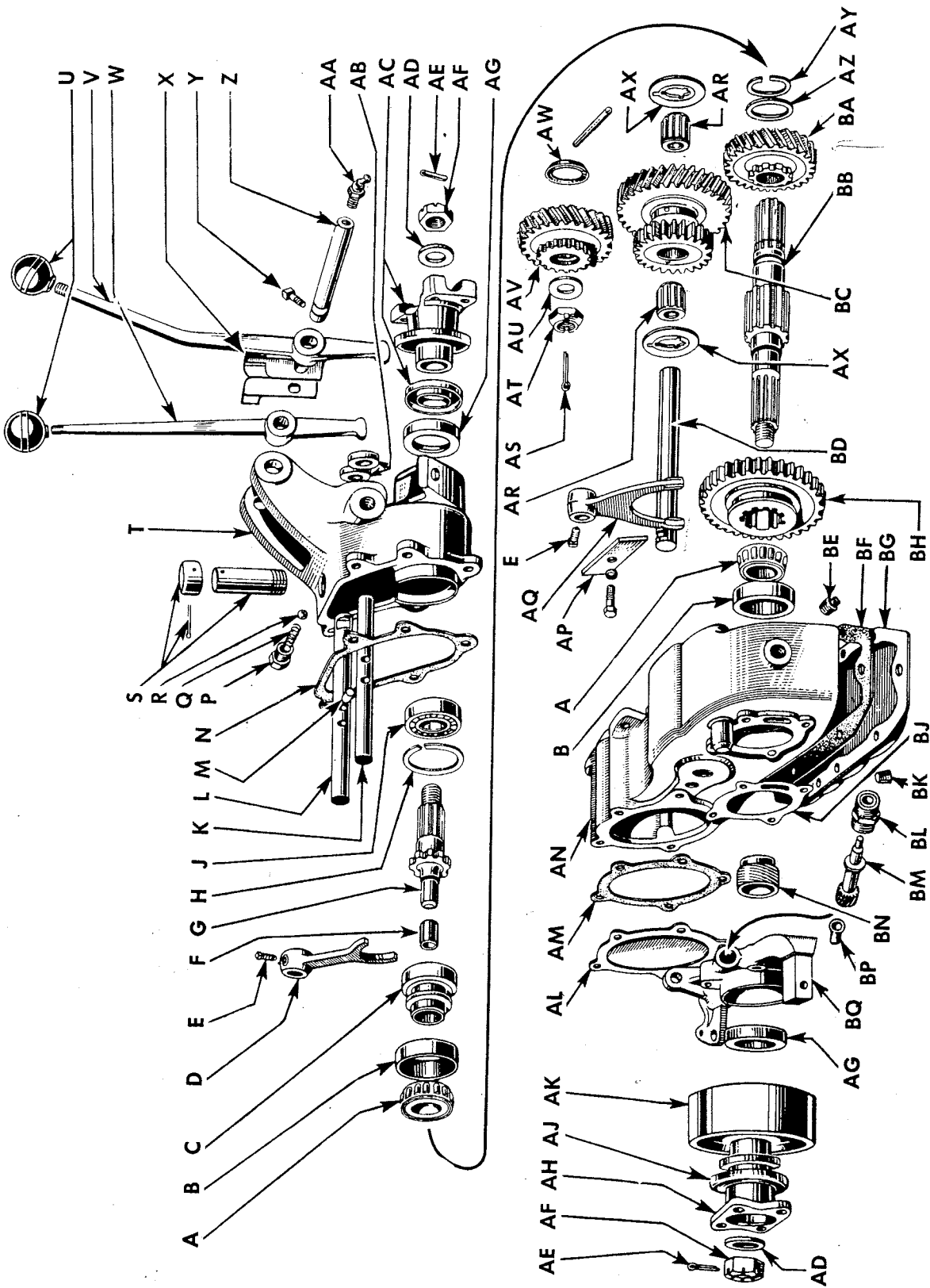


FIGURE 08-1—TRANSFER CASE ASSEMBLY—SECTIONAL VIEW



RA PD 342241

FIGURE 08-2—TRANSFER CASE ASSEMBLY—EXPLODED VIEW

Key	Part Name	Ford Part No.	Willlys Part No.	Group Number	Key	Part Name	Ford Part No.	Willlys Part No.	Group Number
A	CONE and ROLLERS	FM-GP-7723	WO-51575	0803	AJ	SHIELD	FM-GP-7776	WO-A-1111	0803
B	CUP	FM-01Y-1202	WO-52883	0803	AK	DRUM	FM-GP-2614	WO-A-1002	1201
C	GEAR	FM-GP-7762	WO-A-992	0803	AL	COVER	FM-GPW-7706	WO-A-1508	0801
D	FORK	FM-GPW-7711	WO-A-960	0805A	AM	GASKET	FM-GPW-7707	WO-A-1509	0801
E	SCREW	FM-355550-S	WO-A-963	0805A	AN	CASE	FM-GPW-7705	WO-A-1503	0801
F	BUSHING	FM-GP-7777-A	WO-A-987	0803	AP	PLATE	FM-GP-7767	WO-A-1001	0804
G	SHAFT	FM-GP-7761	WO-A-975	0803	AQ	FORK	FM-GP-7712	WO-A-959	0805A
H	SNAP RING	FM-GP-7783	WO-A-976	0803	AR	BEARING	FM-GP-7718-A	WO-A-924	0804
J	BEARING	FM-GP-7719	WO-A-1007	0803	AS	PIN	FM-72089-S	WO-5134	0802
K	ROD	FM-GPW-7786	WO-A-1504	0805	AT	NUT	FM-356134-S18	WO-A-520	0802
L	ROD	FM-GP-7787	WO-A-962	0805	AU	WASHER	FM-356519-S	WO-A-1410	0802
M	INTER LOCK	FM-GP-7789	WO-A-965	0805	AV	GEAR	FM-GP-7722	WO-A-1510	0802
N	GASKET	FM-GPW-7773	WO-A-957	0801	AW	WASHER	FM-GPW-7080	WO-A-410	0704
P	PLUG	FM-355698-S	WO-A-967	0805	AX	WASHER	FM-GP-7744	WO-A-1000	0804
Q	SPRING	FM-GP-7788	WO-A-966	0805	AY	SNAP RING	FM-GP-7784	WO-A-991	0803
R	BALL	FM-353075-S	WO-5599	0805	AZ	WASHER	FM-GP-7771	WO-A-990	0803
S	BREATHER, assembly	FM-GPW-7754	WO-A-934	0801	BA	GEAR	FM-GP-7766	WO-A-989	0803
T	CAP	FM-GPW-7774	WO-A-956	0801	BB	SHAFT	FM-GPW-7736	WO-A-8841	0803
U	BALL	FM-GP-7213	WO-A-971	0805B	BC	GEAR	FM-GP-7742	WO-A-999	0804
V	LEVER	FM-GPW-7793	WO-A-1505	0805B	BD	SHAFT	FM-GP-7743	WO-A-998	0804
W	LEVER	FM-GPW-7710	WO-A-1506	0805B	BE	PLUG	FM-353064-S	WO-5140	0801
X	SPRING	FM-GP-7799	WO-A-970	0805B	BF	GASKET	FM-GP-7709	WO-A-954	0801
Y	SCREW	FM-355378-S	WO-A-973	0805B	BG	COVER	FM-GP-7708	WO-A-953	0801
Z	PIN	FM-GP-7796	WO-A-972	0805B	BH	GEAR	FM-GP-7765	WO-A-988	0803
AA	FITTING	FM-353035-A-S8	WO-638224	0805B	BJ	SHIM SET	FM-GPW-18360	WO-A-6753	0801
AB	SEAL	FM-GP-7798-A	WO-A-974	0805	BK	PLUG	FM-353053	WO-A-1104	0801
AC	YOKE	FM-GP-7729	WO-A-1106	0803	BL	SLEEVE	FM-GPW-17333	WO-636396	0810
AD	WASHER	FM-356504-S	WO-636570	0803	BM	GEAR	FM-GPW-17271	WO-A-1512	0810
AE	PIN	FM-72089-S	WO-5134	0803	BN	GEAR	FM-GP-17285	WO-A-1511	0810
AF	NUT	FM-356125-S	WO-A-980	0803	BP	BUSHING	FM-GP-17277	WO-A-985	0810
AG	OIL SEAL	FM-GP-7770-A	WO-A-958	0803	BQ	CAP, w/BUSHING, assembly	FM-GPW-7768	WO-A-1507	0801
AH	FLANGE	FM-GP-4863	WO-A-1105	0803					

FIGURE 08-2A—LEGEND FOR 08-2—TRANSFER CASE ASSEMBLY—EXPLODED VIEW

GROUP 08—TRANSMISSION TRANSFER CASE (Cont'd)

Figure Number	Official Stock Number	Piece Mark or Part Number		ITEM	Quant. Reqd. per Unit Assy.	Unit Price
		Ford No.	Willlys No.			
Col. 1	Col. 2	Col. 3	Col. 4	Col. 5	Col. 6	Col. 7
12-3	3320-GPW-7768	FM-GPW-7768-B	WO-A-9330	<p>0801—CASE AND COVERS (Cont'd)</p> <p>CAP, transfer case output shaft rear bearing, w/BUSHING, assembly (SP-18-19-28) (Note 1)</p> <p>BOLT, hex-hd., S, dld. f/lkg-wire, 3/8-16NC-3 x 1</p> <p>BOLT, hex-hd., S, dld. f/lkg-wire, 3/8-16NC-3 x 2 1/4</p> <p>BOLT, hex-hd., S, dld. f/lkg-wire, 3/8-16NC-3 x 2 1/2</p> <p>WASHER, flat, copper, 3/8 I.D. x 5/8 O.D. x 1/8 thk.</p> <p>WIRE, locking</p> <p>CASE, transfer (SP-18-15-9)</p> <p>COVER, transfer case, bottom (SP-18-16-3)</p> <p>BOLT, hex-hd., S, cd-pitd., 3/8-18NC-2 x 5/8</p> <p>WASHER, lock, reg, S, cd-pitd., 3/8 in.</p> <p>COVER, transfer case, rear (SP-18-267-4)</p> <p>BOLT, hex-hd., S, 3/8-16NC-2 x 3/4</p> <p>WASHER, lock, reg, S, 3/8 in.</p> <p>GASKET, transfer case bottom cover (SP-18-155-2) (also in GASKET SET, FM-GPW-18355-B, WO-A-7443)</p> <p>GASKET, transfer case output shaft front bearing cap (SP-18-223-2) (also available in GASKET SET, FM-GPW-18355-B, WO-A-7443)</p> <p>GASKET, transfer case rear cover (SP-18-324-2) (also in GASKET SET, FM-GPW-18355-B, WO-A-7443)</p> <p>GASKET, transfer case to transmission (SP-18-352-5) (also in GASKET SET, FM-GPW-18355-B, WO-A-7443)</p> <p>PLUG, drain, transfer case (pipe, I., ck-hd., 1/2 in.) (SP-18-39-2)</p> <p>PLUG, filler, transfer case (pipe, sq-hd., I., 1/2 in.)</p> <p>SHIM, transfer case output shaft rear bearing cap (0.003 thk.) (SP-18-228-7) (also in SHIM SET, FM-GPW-18360, WO-A-6753)</p> <p>SHIM, transfer case output shaft rear bearing cap (0.010 thk.) (SP-18-228-8) (also in SHIM SET, FM-GPW-18360, WO-A-6753)</p> <p>SHIM, transfer case output shaft rear bearing cap (0.031 thk.) (SP-18-228-9) (also in SHIM SET, FM-GPW-18360, WO-A-6753)</p> <p>SHIM SET, transfer case output shaft rear bearing cap</p> <p>(Consists of:</p> <p>4 SHIM (0.003 thk.)</p> <p>2 SHIM (0.010 thk.)</p> <p>2 SHIM (0.031 thk.))</p>	1	
12-3		FM-350280-S	WO-A-9336		1	
		FM-350281-S	WO-A-9337		1	
		FM-350282-S	WO-A-9334		2	
		FM-356205-S	WO-A-1135		4	.0042
			WO-A-9331		as req.	
08-1, 2	8080-18-15-9	FM-GPW-7705	WO-A-1503		1	11.11
08-2		FM-GP-7708	WO-A-953		1	.554
		FM-20326-S7	WO-51485		10	
		FM-34806-S7	WO-51833		10	
08-1, 2	H001-7025711	FM-GPW-7706	WO-A-1508		1	.179
		FM-24348-S	WO-6412		5	
08-2	H001-1518007	FM-34807-S	WO-5010		5	
		FM-GP-7709	WO-A-954		1	.0585
08-2	8080-18-223-2	FM-GPW-7773	WO-A-957		1	
08-2	8080-18-324-2	FM-GPW-7707	WO-A-1509		1	.0112
		FM-GPW-7756	WO-A-1435		1	
08-2	8080-18-352-5		WO-A-1104	1		
08-2		FM-353053-S	WO-5140	1	.0125	
		FM-353064-S	WO-A-982	1		
	8080-18-228-7	FM-GP-7782-A	WO-A-982	1		
	8080-18-228-8	FM-GP-7782-B	WO-A-983	as req.		
	8080-18-228-9	FM-GP-7782-C	WO-A-984	as req.		
08-2	3320-GPW-18360	FM-GPW-18360	WO-A-6753	as req.	.179	
		FM-GP-7782-A	WO-A-982			
		FM-GP-7782-B	WO-A-923			
		FM-GP-7782-C	WO-A-984			

0802—DRIVE GEAR		0803—OUTPUT SHAFT, GEARS, BEARINGS				
08-1, 2	8080-18-8-7	FM-GP-7722	WO-A-1510	GEAR, drive, transfer case (O.D. 4.104 in., 27 teeth) (SP-18-8-7)	1	4.06
08-1, 2	H001-0811055	FM-356134-S18	WO-A-520	NUT, transmission mainshaft (S, hex., slotted, 7/16-16NC-2) (WG-T-9-50P)	1	
08-2	9410-T84J-50 1/2-A	FM-72089-S	WO-5134	PIN, cotter, split, S, 1/8 x 1 3/4	1	
08-2		FM-356519-S	WO-A-1410	WASHER, transmission mainshaft nut (S, plain, 1 1/8 O.D. x 2 1/8 I.D. x 3/8 thk.) (WG-T-84J-50 1/2-A)	1	
08-1, 2	H012-1303030	FM-GP-7719	WO-A-1007	BEARING, ball, annular, single row, bore 1.1811 x 0.6299 (transfer case output clutch shaft) (MRC-206) (SKF-6206) (ND-3206)	1	.88
08-2	8080-18-24-1	FM-GP-7777	WO-A-987	BUSHING, transfer case output clutch shaft pilot (superseded by BUSHING, FM-GP-7777-A, WO-A-981)	1	.0492
08-1, 2	H012-6136260	FM-GP-7723	WO-51575	BUSHING, transfer case output clutch shaft pilot (SP-18-24-1) (supersedes BUSHING, FM-GP-7777)	1	.44
08-1, 2	H012-6217320	FM-O1Y-1202	WO-52883	CONE and ROLLERS, transfer case output shaft bearing (1.3125 diam. x 0.740 wide) (TIM-14131) (BT-BT-14131)	2	.192
08-1, 2	8080-K2-1-28	FM-GP-4865	WO-A-1105	FLANGE, companion, transfer case output shaft, rear (SP-K2-1-28) (for use with external contracting type hand brake)	1	1.86
08-2, 09-1, 12-3	3320-GPW-4863	FM-GP-4863	WO-116714	FLANGE, companion, transfer case output shaft, rear, w/SHIELD, assembly (SP-K2-1-28-X) (contracting type brake)	1	
08-1, 2; 12-3	8080-1244	FM-356125-S	WO-A-980	FLANGE, companion, transfer case output shaft, rear (SP-K2-1-68X) (for use with internal expanding type brake)	1	.0167
08-2, 12-3	H001-0811055	FM-72089-S	WO-5134	NUT, hex., slotted, S, 3/4-20NF-3 (SP-1244)	1	.0217
08-1, 2; 12-3	8080-18-223-3	FM-356504-S	WO-636570	PIN, cotter, split, S, 1/8 x 1 3/4	1	
08-1, 2	8080-18-166-1	FM-GP-7746	WO-A-1134	WASHER, special, flat	1	
08-1, 2	8080-18-8-2	FM-GP-7762	WO-A-992	GASKET, transfer case output shaft front and rear bearing cap oil seal (SP-18-223-3) (also in GASKET SET, FM-GPW-18355-B, WO-A-7443)	2	
08-1, 2	8080-18-8-1	FM-GP-7765	WO-A-988	GEAR, clutch, transfer case output shaft (10 internal teeth, 1.088 bore x 1.755 wide face, 2.411 diam.) (SP-18-466-1)	1	2.12
08-1, 2	H013-0500068	FM-GP-7766	WO-A-989	GEAR, sliding, transfer case output shaft (5.571 O.D. x 1.192 wide, 27 teeth) (SP-18-8-2)	1	5.001
08-1	8080-5866X	FM-GP-7770-A	WO-A-958	GEAR, transfer case output shaft (4.101 O.D., 1.250 bore x 1.713, 27 teeth) (SP-18-8-1)	1	3.83
08-2	G503-7036544	FM-GP-7763	WO-A-1764	OIL SEAL, transfer case output shaft front and rear bearing cap (SP-62-463-2) (also in OIL SEAL SET, FM-GPW-18317, WO-A-7445)	2	
08-1, 2	8080-18-362-3	FM-GPW-7736	WO-A-8841	SHAFT, output, transfer case, w/BUSHING, assembly	1	5.865
08-1, 2	3320-GPW-7726	FM-GP-7761	WO-A-975	SHAFT, output, transfer case, w/NUT and WASHER, assembly (SP-18-362-4-5866-X)	1	
08-1, 2	3320-GP-7747	FM-GPW-7726	WO-A-8835	SHAFT, transfer case output clutch (SP-18-362-3)	1	2.71
08-1, 2	8080-5962X	FM-GP-7747	WO-A-978	SHAFT, transfer case output clutch, w/NUT and WASHER	1	
		FM-GP-7776	WO-A-1111	SHIELD, dust, transfer case companion flange and universal joint end yoke (superseded by SHIELD, FM-GP-7776, WO-A-1111)	2	.038
				SHIELD, dust, transfer case companion flange and universal joint end yoke (SP-5962-X) (supersedes SHIELD, FM-GP-7747, WO-A-978)	2	.0906

Note 1—For use with internal expanding type hand brake.

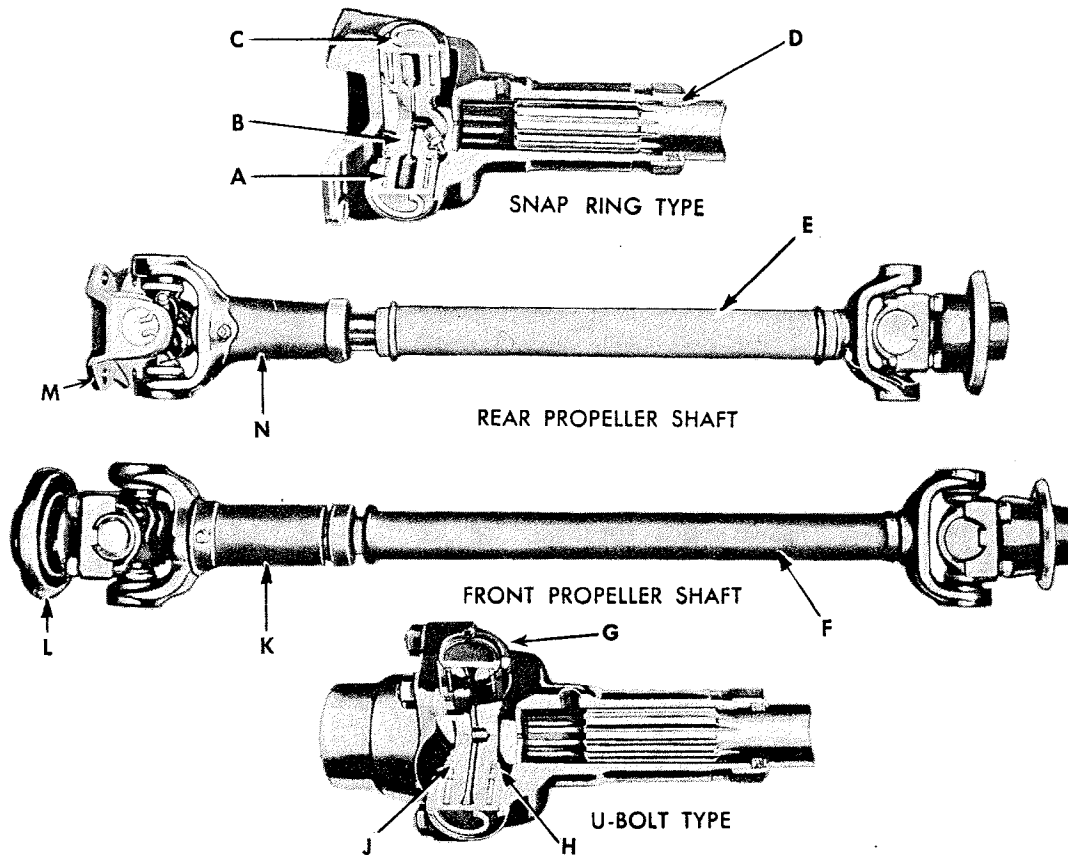
GROUP 08—TRANSMISSION TRANSFER CASE (Cont'd)

Figure Number	Official Stock Number	Piece Mark of Part Number		ITEM	Quant. Reqd. per Unit Assy.	Unit Price
		Ford No.	Willys No.			
Col. 1	Col. 2	Col. 3	Col. 4	Col. 5	Col. 6	Col. 7
0803—OUTPUT SHAFT, GEARS, BEARINGS (Cont'd)						
08-2	8080-22-381-19	FM-GP-7783	WO-A-976	SNAP RING, transfer case output clutch shaft bearing (SP-22-381-19)	1	.0251
08-2	8080-18-381-2	FM-GP-7784	WO-A-991	SNAP RING, transfer case output shaft (SP-18-381-2)	1	.0212
08-2	8080-710-W	FM-GP-7771	WO-A-990	WASHER, thrust, transfer case output shaft (SP-710-W)	1	.0542
01-2, 08-1, 2	8080-K2-4-88X	FM-GP-7729	WO-A-1106	YOKE, end, universal joint, transfer case, front (SP-K2-4-88X)	1	1.645
08-2	H001-0811055	FM-356125-S FM-72089-S FM-356504-S	WO-A-980 WO-5134 WO-636570	NUT, hex., slotted, S, 3/4-20NF-3 PIN, cotter, split, S, 1/8 x 1 1/4 WASHER, special, flat, 3/4 in.	1 1 1	.0167 .0217
0804—INTERMEDIATE SHAFT, GEAR, AND BEARINGS						
08-1, 2	H012-0708218	FM-GP-7718-A	WO-A-924	BEARING, transfer case intermediate shaft gear (HY-94322)	2	.228
08-1, 2	8080-18-5-1	FM-GP-7742	WO-A-999	GEAR, transfer case intermediate shaft (O.D. 4.962, 33 teeth) (SP-18-5-1)	1	7.20
08-2	8080-31-246-2	FM-GP-7767	WO-A-1001	PLATE, lock, transfer case intermediate shaft (SP-31-246-2)	1	.0046
08-1, 2	H001-1518009	FM-24328-S FM-34807-S2	WO-52189 WO-5010	BOLT, hex-hd., S, 3/8-16NC-2 x 5/8 WASHER, lock, S, SAE std., 3/8 in.	1 1	.244
08-2	8080-18-187-1	FM-GP-7743	WO-A-998	SHAFT, transfer case, intermediate (SP-18-187-1)	1	.179
08-2	8080-690-W	FM-GP-7744	WO-A-1000	WASHER, thrust, transfer case intermediate shaft gear (SP-690-W)	2	
0805—SHIFTER RODS AND PARTS						
08-2	H002-0100140	FM-353075-S FM-GP-7789	WO-5599 WO-A-965	BALL, poppet, transfer case shift rod (SP-50-80-1) (S, 5/8 in.) INTERLOCK, transfer case shift rod (SP-18-12-1)	2 1	.0133 .0872
08-2	H013-0500007	FM-GP-7798		OIL SEAL, transfer case shift rod (SP-13-463-1) (superseded by OIL SEAL, FM-GP-7798-A, WO-A-974)	2	
08-2	H013-0500007	FM-GP-7798-A1		OIL SEAL, transfer case shift rod (superseded by OIL SEAL, FM-GP-7798-A, WO-A-974)	2	
08-2	H013-0500007	FM-GP-7798-A	WO-A-974	OIL SEAL, transfer case shift rod (SP-13-463-1) (also in OIL SEAL SET, FM-GPW-18317, WO-A-7445) (supersedes OIL SEAL, FM-GP-7798 and FM-GP-7798-A1)	2	
08-2	8080-854-D	FM-355698-S	WO-A-967	PLUG, transfer case shift rod poppet (SP-854-D)	2	.0217
08-2	8080-18-67-5	FM-GPW-7786	WO-A-1504	ROD, shift, transfer case, direct and underdrive (SP-18-67-5)	1	.782
08-2	8080-18-67-2	FM-GP-7787	WO-A-962	ROD, shift, transfer case, front wheel drive (SP-18-67-2)	1	.635
08-2	G102-0306647	FM-GP-7788	WO-A-966	SPRING, transfer case shift rod poppet (SP-22-72-5)	2	.0083
08-2	G102-0307508		WO-A-964	WIRE, lock, transfer case shift fork (16 gage) (SP-LW-1)	2	

0805A—FORKS

08-2	8080-18-66-1	FM-GP-7712	WO-A-959	FORK, transfer case shift rod, direct and underdrive (SP-18-66-1)	1	.961
08-2	8080-18-66-7	FM-GPW-7711	WO-A-960	FORK, transfer case shift rod, front wheel drive (SP-18-66-7)	1	1.026
08-2		FM-355550-S	WO-A-963	SCREW, set, S., $\frac{3}{8}$ -24NF, head did., f/c-pin, $\frac{3}{4}$ in. diam. (SP-7450)	2	.0258
0805B—SHIFT LEVER AND PARTS						
08-2	8080-39-Q-20	FM-GP-7213	WO-A-971	BALL, transfer case shift lever handle (SP-39-Q-20)	2	
08-2		FM-353035-S8	WO-638224	FITTING, grease, 45 degree (transfer case shift lever pivot pin) (AD-1636)	1	.0591
	3320-GPW-1101735-A	FM-GPW-1101735-A	WO-A-3784	GROMMET, transfer case shift levers (leather)	1	.358
01-2, 08-2,	8080-25-Q-1055	FM-GPW-7793	WO-A-1505	LEVER, shift, transfer case, direct and underdrive (SP-25-Q-1055)	1	1.14
18-1						
01-2, 08-2,	8080-25-Q-1056	FM-GPW-7710	WO-A-1506	LEVER, shift, transfer case, front wheel drive (SP-25-Q-1056)	1	1.14
18-1						
08-2	8080-363-SP	FM-GP-7796	WO-A-972	PIN, pivot, transfer case shift lever (SP-363-SP)	1	.179
08-2	8080-433-D	FM-355378-S	WO-A-973	SCREW, set, sq-hd., S., $\frac{5}{16}$ -18NC-2 x $\frac{1}{2}$ (SP-433-D)	1	.0167
08-2	G160-0389772	FM-GP-7799	WO-A-970	SPRING, transfer case shift lever (SP-97-Q-13)	2	.0104
0809—MOUNTINGS						
	3320-355741-S	FM-355741-S	WO-A-147	BOLT, support, transfer case (hex-hd., S., $\frac{1}{2}$ -20NF x 3)	1	.0641
	G085-2307356	FM-38846-S2	WO-5916	NUT, reg., hex., S., $\frac{1}{2}$ -20NF-2	1	
	H001-1518011	FM-34809-S	WO-5009	WASHER, lock, S., SAE std., $\frac{1}{2}$ in.	1	
	3320-GPW-5084	FM-356524-S	WO-634762	WASHER, S., $1\frac{1}{2}$ O.D. x $2\frac{1}{8}$ I.D. x $\frac{1}{16}$ thk.	1	.0125
	3320-74-6038	FM-GPW-5084	WO-A-6740	CUP, retaining, transfer case support insulator	1	.0498
		FM-74-6038		INSULATOR, transfer case support (superseded by INSULATOR, FM-74-6038-A, WO-634758)	1	.167
	3320-74-6038-A	FM-74-6038-A	WO-634758	INSULATOR, transfer case support (supersedes INSULATOR, FM-74-6038)	1	
	3320-GPW-7781-A	FM-GPW-7781-A	WO-634759	SNUBBER, transfer case support insulator	1	.0782
0810—SPEEDOMETER DRIVE GEARS						
08-2	G067-2300040	FM-GP-17277	WO-A-985	ADAPTER, speedometer (ORD-B7044232) (Note 1)	1	
08-1, 2	8080-18-452-2	FM-GP-17285	WO-A-1511	BUSHING, speedometer drive gear, transfer case (SP-475-2) (also in GEAR SET, FM-GPW-18314, WO-A-7837)	1	
08-1, 08-2,	8080-18-453-3	FM-GPW-17271	WO-A-1512	GEAR, drive, speedometer, transfer case (SP-18-452-2) (also in GEAR SET, FM-GPW-18314, WO-A-7837)	1	
12-3	3320-GPW-18314	FM-GPW-18314	WO-A-7837	GEAR, driven, speedometer, transfer case (SP-18-453-3) (also in GEAR SET, FM-GPW-18314, WO-A-7837)	1	.145
				(Consists of:		
		FM-GP-17277	WO-A-985	1 BUSHING		
		FM-GP-17285	WO-A-1511	1 GEAR, drive		
		FM-GPW-17271	WO-A-1512	1 GEAR, driven		
		FM-GPW-17333	WO-636396	SLEEVE, speedometer driven gear, transfer case (SP-18-454-2)	1	.228

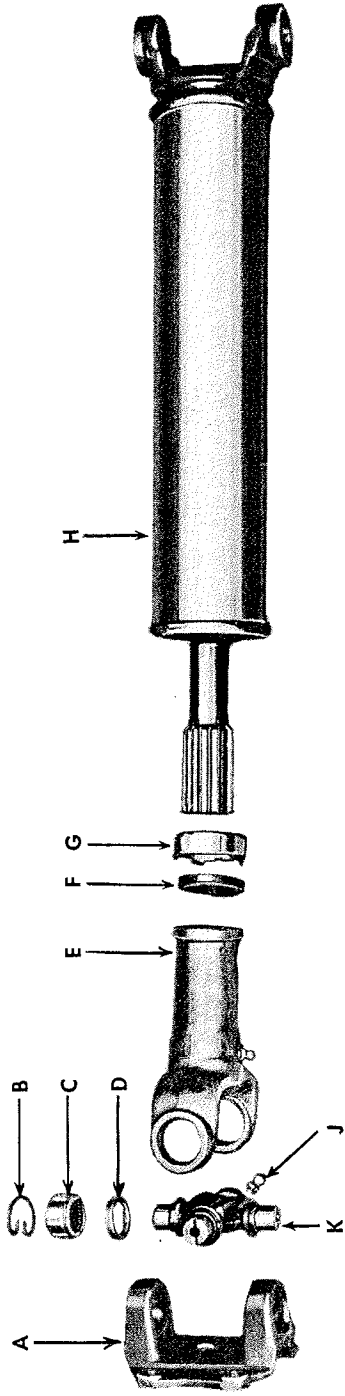
Note 1—Only for vehicles modified by MWO ORD G503-W9. (See page 3).



Key	Part Name	Ford Part No.	Willys Part No.	Group No.
A	BEARING	FM-GPW-7074	WO-A-8270	0902
B	JOURNAL	FM-GPW-7084	WO-A-1426	0902
C	SNAP RING	FM-01Y-7096	WO-A-945	0902
D	WASHER	FM-GP-7097	WO-A-943	0902
E	TUBE	FM-GPW-4605	WO-A-1429	0901
F	TUBE	FM-GPW-3370	WO-A-1428	0901
G	U-BOLT	FM-01Y-4529	WO-A-490	0902
H	RETAINER	FM-01Y-7083	WO-A-940	0902
J	GASKET	FM-01T-7078-A	WO-A-941	0902
K	SHAFT, assembly	FM-GPW-3365	WO-A-1326	0901
L	FLANGE	FM-GP-4863	WO-A-1105	0803
M	YOKE	FM-GP-4866	WO-A-950	0902
N	SHAFT, assembly	FM-GPW-4602	WO-A-1327	0901

RA PD 342274

FIGURE 09-1—PROPELLER SHAFTS AND UNIVERSAL JOINTS



Key	Part Name	Ford Part No.	Willlys Part No.	Group Number
A	YOKE	FM-GP-4866	WO-A-950	0902
B	SNAP RING	FM-01Y-7096	WO-A-945	0902
C	BEARING	FM-GPW-7074	WO-A-8270	0902
D	RETAINER	FM-01Y-7083	WO-A-940	0902
E	YOKE	FM-GP-4841	WO-A-935	0902
F	WASHER	FM-GP-7097	WO-A-943	0902
G	CAP	FM-GP-7077	WO-A-942	0902
H	TUBE	FM-GPW-4605	WO-A-935	0901
J	FITTING	FM-353043-57	WO-638792	0902
K	JOURNAL	FM-GPW-7084	WO-A-1426	0902

RA PD 342226

FIGURE 09-2—REAR PROPELLER SHAFT AND UNIVERSAL JOINT

GROUP 09—PROPELLER SHAFT AND UNIVERSAL JOINTS

Figure Number	Official Stock Number	Piece Mark or Part Number		ITEM	Quant. Reqd. per Unit Assy.	Unit Price
		Ford No.	Willlys No.			
Col. 1	Col. 2	Col. 3	Col. 4	Col. 5	Col. 6	Col. 7
09-1	8080-8996-SF	FM-GPW-3365	WO-A-1326	GROUP 09—PROPELLER SHAFT AND UNIVERSAL JOINTS	1	10.52
09-1	8080-8897-SF	FM-GPW-4602	WO-A-1327			
				0901—PROPELLER SHAFT ASSEMBLIES	1	12.28
				SHAFT, propeller, front, assembly (SP-8996-SF)		
				SHAFT, propeller, rear, assembly (SP-8997-SF)		

GROUP 09—PROPELLER SHAFT AND UNIVERSAL JOINTS (Cont'd)

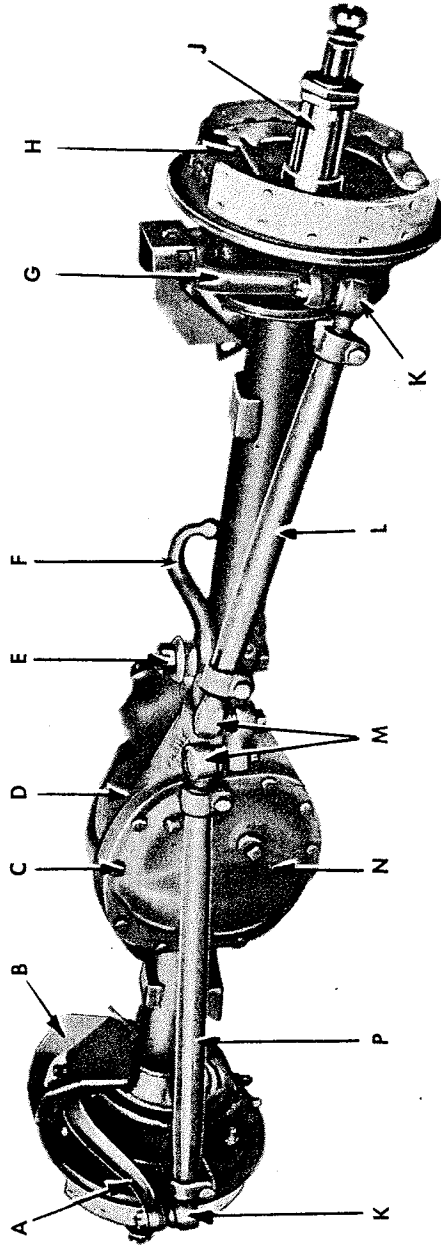
Figure Number	Official Stock Number	Piece Mark or Part Number		I T E M	Quant. Reqd. per Unit Assy.	Unit Price
		Ford No.	Willys No.			
Col. 1	Col. 2	Col. 3	Col. 4	Col. 5	Col. 6	Col. 7
09-1 09-1, 9-2	G503-7036583 3320-GPW-4605	FM-GPW-3370 FM-GPW-4605	WO-A-1428 WO-A-1429	0901—PROPELLER SHAFT ASSEMBLIES (Cont'd) TUBE, front propeller shaft, assembly (SP-K2-62-210-212-1907) TUBE, rear propeller shaft, assembly (SP-K2-62-210-212-1718)	1 1	3.54
0902—UNIVERSAL JOINTS						
09-1, 2 09-2 09-2 09-1 09-1, 2	G104-1531588 H002-0504203 G104-2194015 G104-1648701	FM-GPW-7074 FM-GP-7077 FM-353043-S7 FM-O1T-7078-A FM-GPW-7084 FM-GPW-18397	WO-A-1434 WO-A-942 WO-638792 WO-A-941 WO-A-1426	BEARING, universal joint, assembly (also in KIT, FM-21C-18397-B, WO-A-1433) CAP, dust, propeller shaft sleeve yoke (SP-K2-14-69) FITTING, grease, ¼-28NF (AD-1641) (GM-110347) GASKET, propeller shaft universal joint trunnion (SP-KS-86-89) JOURNAL, universal joint, assembly (also in KIT, FM-21C-18397-B, WO-A-1433) KIT, repair, propeller shaft universal joint (superseded by KIT, FM-21C-18397-B, WO-A-1433)	16 2 4 16 4	.0494
09-1, 2	G104-1648701	FM-21C-18397-B	WO-A-1433	KIT, repair, propeller shaft universal joint (SP-K5-21-X) (supersedes KIT, FM-21C-18397-B, WO-A-1433) (Consists of: 4 BEARING, assembly 1 JOURNAL, assembly 4 SNAP RING)	1	2.085
09-1, 2 09-1, 2	G104-1769782 G104-1767649	FM-GPW-7074 FM-GPW-7084 FM-O1Y-7096 FM-O1Y-7083 FM-GP-7733 FM-O1Y-7096	WO-A-1434 WO-A-1426 WO-A-945 WO-A-940 WO-A-979 WO-A-945	RETAINER, propeller shaft universal joint trunnion gasket (SP-K2-76-17) SHIELD, dust, propeller shaft flange SNAP RING, propeller shaft universal joint trunnion bearing (SP-K2-7-29) (also in KIT, FM-21C-18397-B, WO-A-1433)	16 1	.0217 .0641
09-1	G085-2212230	FM-O1Y-4529 FM-33784-S2 FM-GP-4533 FM-34806-S7 FM-GP-7097	WO-A-490 WO-A-941 WO-51833 WO-A-943	U-BOLT, propeller shaft universal joint bearing (¾-24NF) (SP-K2-94-29) NUT, reg., hex., S, ¾-24NF-3 (SP-5-74-11) STRAP, propeller shaft universal joint U-bolt nut WASHER, lock, S, cd-pltd., SAE std., ¾ in. WASHER, seal, propeller shaft sleeve yoke (cork, split, 1 I.D. x 1 3/4 O.D. x 3/8 thk.) (SP-K2-16-53)	10 6 12 3 12	.0104
09-1, 2 09-2	H001-7025711 C104-1842846 G104-1882251 3320-GP-7092 G104-1882330	FM-GP-4866 FM-GP-7092 FM-GP-4841	WO-A-950 WO-A-936 WO-A-935	YOKE, flange, propeller shaft (SP-K2-2-329) YOKE, sleeve, propeller shaft, assembly YOKE, sleeve, propeller shaft, w/PLUG, assembly (SP-K2-3-198X)	2 1 2 2	.0129 1.352 1.81

GROUP 10—FRONT AXLE

1000—FRONT AXLE ASSEMBLY

3320-GPW-3001	FM-GPW-3001	WO-A-1212 WO-A-1387 WO-A-1765 WO-A-6442 WO-A-6029	1 1 1 1 1
		AXLE, front, assembly (Bendix joints) (SP-2058-1) (Note 1)	
		AXLE, front, assembly (Rzeppa joints) (SP-7658-2) (Note 1)	
		AXLE, front, assembly (Spicer joints) (SP-SKA-34172) (Note 1)	
		AXLE, front, assembly (Tracta joints) (Note 1)	
		AXLE, front, w/BRAKES, DRUMS and HUBS, assembly (WO-A-6029 has either Tracta or Bendix universal joints; FM-GPW-3001 has Rzeppa universal joints. Complete assemblies are interchangeable).	
		AXLE, front, w/BRAKES, DRUMS and HUBS, assembly (Bendix joints) (Note 2)	154.25
		WO-A-5498	1

Note 1—These four axles are interchangeable as assemblies. **Note 2**—These three axles are interchangeable as assemblies.



Key	Part Name	Ford Part No.	Willlys Part No.	Group No.	Key	Part Name	Ford Part No.	Willlys Part No.	Group No.
A	ARM	FM-GP-3112	WO-A-1710	1006	H	BRAKE, assembly (L.H.)	FM-GPW-2011	WO-A-1496	1200
B	GUARD	FM-GPW-2096	WO-A-1457	1209B	J	SPINDLE, assembly	FM-GP-3105	WO-A-851	1006
C	BOLT	FM-20046-S2	WO-51523	1001	K	END, assembly	FM-GP-3292	WO-A-847	1402
D	HOUSING, w/TUBE, assembly	FM-GPW-3074	WO-A-1703	1001	L	TUBE	FM-GPW-3282	WO-A-1709	1402
E	NUT	FM-356124-S	WO-A-876	1401	M	END, assembly	FM-GP-3291	WO-A-838	1402
F	CRANK, bell	FM-GPW-3131-B	WO-A-8249	1401	N	COVER	FM-GP-4016-A	WO-A-10231	1001
G	ARM	FM-GPW-3113	WO-A-1712	1006	P	TUBE	FM-GP-3281	WO-A-1705	1402

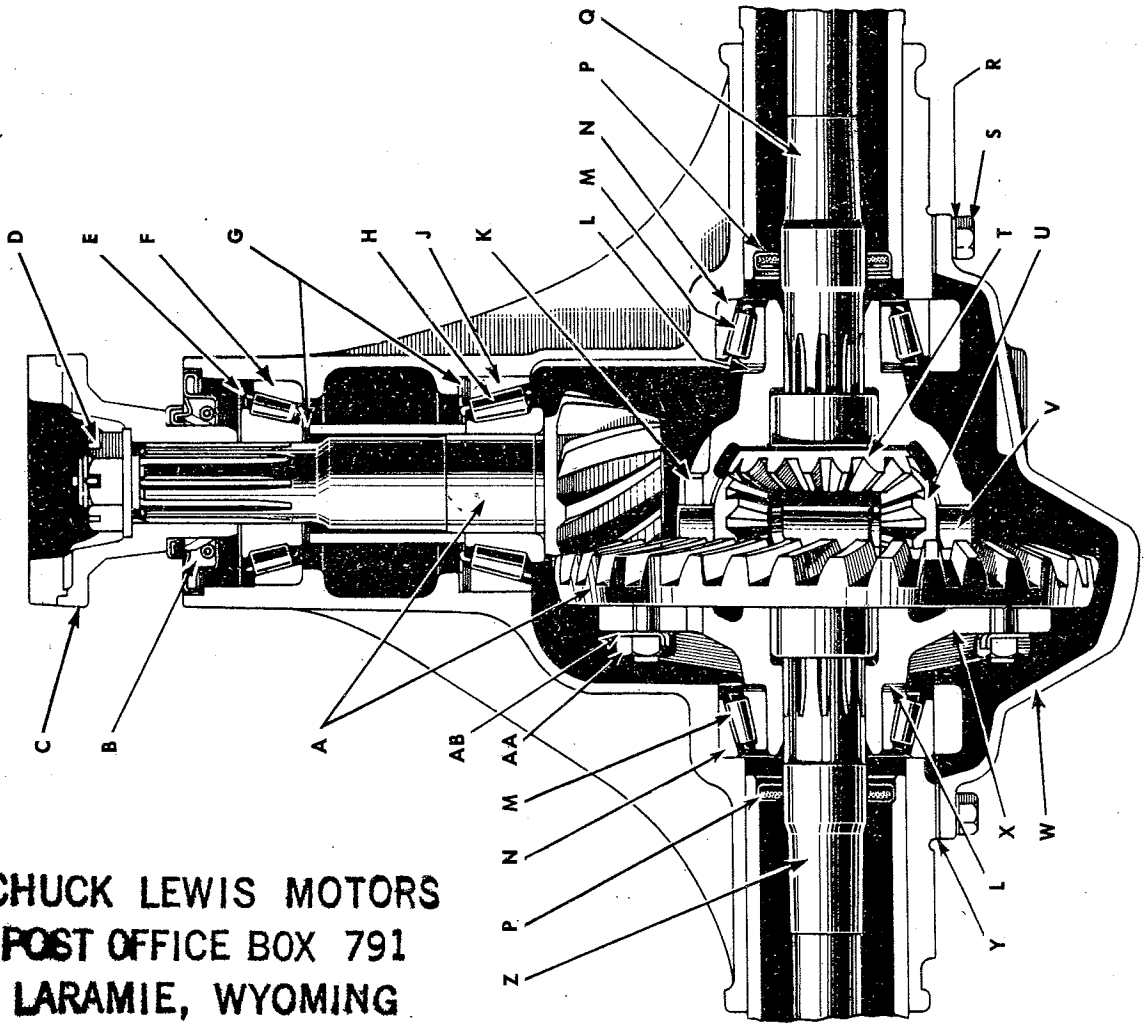
GROUP 10—FRONT AXLE (Cont'd)

Figure Number	Official Stock Number	Piece Mark or Part Number		ITEM	Quant. Req'd. per Unit Assy.	Unit Price
		Ford No.	Willlys No.			
Col. 1	Col. 2	Col. 3	Col. 4	Col. 5	Col. 6	Col. 7
	9680-A-1544			<p>1000—FRONT AXLE ASSEMBLY (Cont'd)</p> <p>AXLE, front, w/BRAKES, DRUMS and HUBS, assembly (Rzeppa joints) (Note 2)</p> <p>AXLE, front, w/BRAKES, DRUMS and HUBS, assembly (Tracta joints) (Note 2)</p> <p>GASKET SET, front axle (superseded by GASKET SET, FM-GPW-18365-B, WO-A-7830)</p> <p>(Consists of:</p> <p>1 GASKET, axle housing cover</p> <p>2 GASKET, steering knuckle oil seal</p> <p>1 GASKET, drive pinion shaft oil seal</p> <p>2 OIL SEAL, axle shaft, inner end</p> <p>2 OIL SEAL, axle shaft, outer end</p> <p>2 OIL SEAL, bell crank bearing</p> <p>1 OIL SEAL, drive pinion shaft</p> <p>4 OIL SEAL, felt, steering knuckle</p> <p>2 OIL SEAL, wheel bearing</p> <p>4 STRIP, pressure, steering knuckle oil seal)</p> <p>GASKET SET, front axle (superseded by GASKET SET, FM-GPW-18365-B, WO-A-7830)</p> <p>(Consists of:</p> <p>2 BUSHING, axle shaft</p> <p>1 GASKET, axle housing cover</p> <p>1 GASKET, drive pinion shaft oil seal</p> <p>2 GASKET, steering knuckle oil seal</p> <p>2 OIL SEAL, axle shaft, inner end</p> <p>2 OIL SEAL, bell crank bearing</p> <p>1 OIL SEAL, drive pinion shaft</p> <p>4 OIL SEAL, felt, steering knuckle</p> <p>2 OIL SEAL, wheel bearing</p> <p>4 STRIP, pressure, steering knuckle oil seal)</p> <p>GASKET SET, front axle (supersedes GASKET SET, WO-A-1544 and FM-GPW-18365, WO-A-6792)</p> <p>(Consists of:</p> <p>1 GASKET, axle housing cover</p> <p>1 GASKET, drive pinion shaft oil seal</p> <p>2 GASKET, steering knuckle oil seal</p> <p>2 OIL SEAL, bell crank bearing</p> <p>4 OIL SEAL, felt, steering knuckle</p> <p>4 STRIP, pressure, steering knuckle oil seal)</p>	1	
		<p>FM-GP-4035</p> <p>FM-GP-1092</p> <p>FM-GP-4661</p> <p>FM-GP-3034</p> <p>FM-GP-3031-A</p> <p>FM-GPW-3167</p> <p>FM-GP-7676-A</p> <p>FM-GP-3135</p> <p>FM-GP-1177</p> <p>FM-GP-3139</p> <p>FM-GPW-18365</p> <p>FM-GP-4035</p> <p>FM-GPW-4661</p> <p>FM-GP-1092</p> <p>FM-GP-3034</p> <p>FM-GPW-3167</p> <p>FM-GP-4676-A</p> <p>FM-GP-3135</p> <p>FM-GP-1177</p> <p>FM-GP-3139</p> <p>FM-GPW-18365-B</p> <p>FM-GP-4035</p> <p>FM-GP-4661</p> <p>FM-GP-1092</p> <p>FM-GPW-3167</p> <p>FM-GP-3135</p> <p>FM-GP-1177</p> <p>FM-GP-3139</p> <p>FM-GPW-18365-B</p>	<p>WO-A-5499</p> <p>WO-A-6470</p> <p>WO-A-1544</p> <p>WO-A-782</p> <p>WO-A-820</p> <p>WO-636565</p> <p>WO-A-779</p> <p>WO-A-778</p> <p>WO-A-858</p> <p>WO-639265</p> <p>WO-A-819</p> <p>WO-A-864</p> <p>WO-A-818</p> <p>WO-A-6792</p> <p>WO-A-6362</p> <p>WO-A-782</p> <p>WO-636565</p> <p>WO-A-820</p> <p>WO-A-779</p> <p>WO-A-858</p> <p>WO-639265</p> <p>WO-A-819</p> <p>WO-A-864</p> <p>WO-A-818</p> <p>WO-A-7830</p> <p>WO-A-782</p> <p>WO-636565</p> <p>WO-A-820</p> <p>WO-A-858</p> <p>WO-A-819</p> <p>WO-A-818</p> <p>WO-A-818</p>			
	3320-GPW-18365				1	.521

Note 2—These three axles are interchangeable as assemblies.



CHUCK LEWIS MOTORS
 POST OFFICE BOX 791
 LARAMIE, WYOMING
 82070

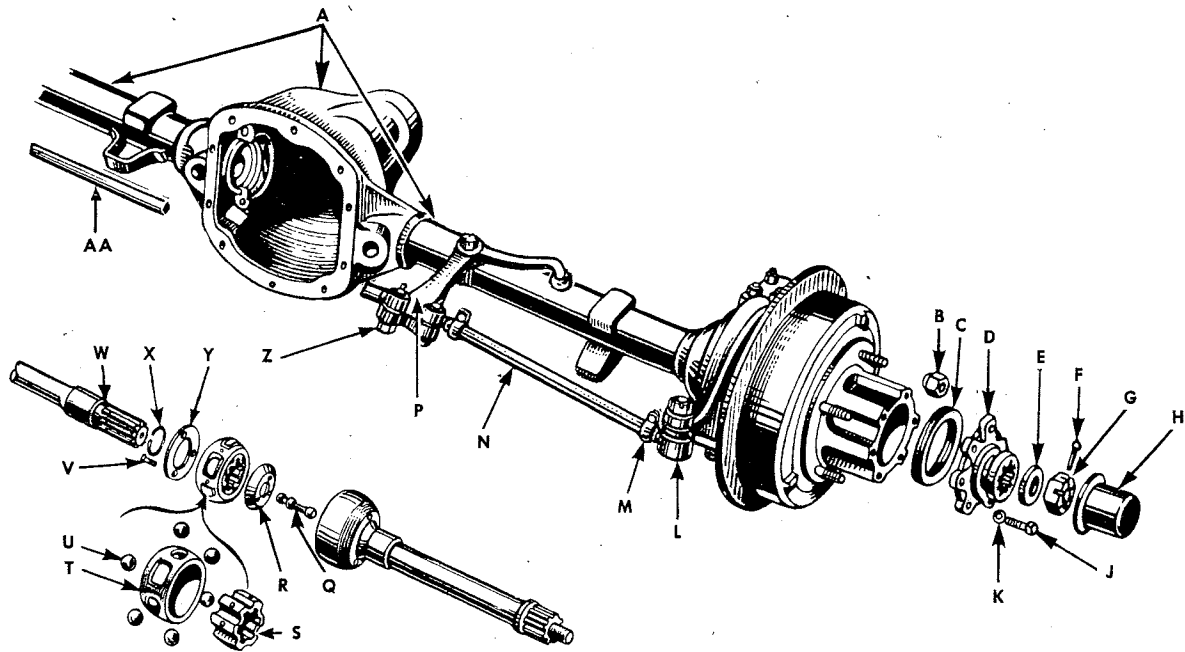


Key	Part Name	Ford Part No.	Willis Part No.	Group No.
A	GEAR SET	FM-GPW-14209	WO-A-789	1003
B	OIL SEAL	FM-GP-4676-A	WO-639265	1003
C	YOKE	FM-GP-4842	WO-A-1445	1003
D	NUT	FM-356126-S	WO-636569	1003
E	CONE and ROLLERS	FM-GP-4630	WO-52878	1003
F	CUP	FM-GP-4628	WO-52879	1003
G	SHIM SET	FM-GPW-18386	WO-A-6745	1003
H	CONE and ROLLERS	FM-86H-4621	WO-52876	1003
J	CUP	FM-86H-4616	WO-52877	1003
K	PIN	FM-GP-4241	WO-636360	1003
L	SHIM SET	FM-GPW-18388	WO-A-6744	1003
M	CONE and ROLLERS	FM-GP-4221	WO-52880	1003
N	CUP	FM-GP-4222	WO-52881	1003
P	OIL SEAL	FM-GP-3034	WO-A-779	1007
Q	SHAFT	FM-GP-3017-A	WO-A-1729	1007
R	WASHER	FM-34941-S7	WO-53029	1001
S	BOLT	FM-20046-S2	WO-51523	1001
T	GEAR	FM-GPW-4236	WO-A-794	1003
U	PINION	FM-GPW-4215	WO-A-796	1003
V	SHAFT	FM-GP-4211	WO-A-798	1003
W	COVER	FM-GP-4016-A	WO-A-10231	1001
X	CASE	FM-GP-4206	WO-A-793	1003
Y	GASKET	FM-GP-4035	WO-A-782	1001
Z	SHAFT	FM-GP-3016-A	WO-A-1727	1007
AA	SCREW	FM-355511-S	WO-A-871	1003
AB	STRAP	FM-GP-4281	WO-A-792	1003

FIGURE 10-2—DIFFERENTIAL ASSEMBLY—SECTIONAL VIEW

GROUP 10—FRONT AXLE (Cont'd)

Figure Number	Official Stock Number	Piece Mark or Part Number		ITEM	Quant. Req'd. per Unit Assy.	Unit Price
		Ford No.	Willys No.			
Col. 1	Col. 2	Col. 3	Col. 4	Col. 5	Col. 6	Col. 7
1001—HOUSING						
10-1, 2	8080-16976	FM-GP-4015 FM-GP-4016 FM-GP-4016-A	WO-A-781 WO-A-10231	COVER, axle housing (superseded by COVER, FM-GP-4016-A, WO-A-10231). COVER, axle housing (SP-16976) (superseded by COVER, FM-GP-4016-A, WO-A-10231) COVER, axle housing (supersedes COVER, FM-GP-4015; and COVER, FM-GP-4016, WO-A-781)	1 1	1.76
10-1, 2	H001-1013461	FM-20046-S2	WO-51523	BOLT, hex-hd., S, 5/16-18NC-2 x 3/4	1	
10-2		FM-34941-S7	WO-53029	WASHER, lock, S, cd-pltd., external tooth, flat type 5/16 in.	10	
10-2	8080-16409	FM-GP-4035	WO-A-782	GASKET, axle housing cover (SP-16409) (also in GASKET SET, FM-GPW-18365-B, WO-A-7830)	10	
10-1, 3	8080-17310-X	FM-GPW-3074	WO-A-1703	HOUSING, front axle, w/TUBE, assembly (SP-17310-X)	1	.039
		FM-358048-S	WO-636577	PLUG, drain, axle housing (SP-S-780)	1	
		FM-353051-S	WO-636538	PLUG, filter, axle housing (SP-50-39-4)	1	30.19
	8080-16979	FM-GP-4022	WO-A-870	PLUG, vent, axle housing (SP-16979)	1	.07
1003—DIFFERENTIAL CASE, GEARS, PINION AND BEARINGS (Items in this group are the same for front and rear axles)						
10-2		FM-355699-S	WO-636527	BOLT, differential case bearing cap (hex-hd., S, 1/2-13NC x 2 1/4 (SP-A-1358-1))	4	.0167
		FM-34922-S	WO-636528	WASHER, lock, hv, S, internal tooth, flat type, 1/2 in.	4	
10-2	8080-16386	FM-GP-4206	WO-A-793	CASE, differential (SP-16386)	1	
10-2	H012-6146900	FM-GP-4221	WO-52880	CONE and ROLLERS, differential case bearing (1.625 bore x 1.000) (TIM-24780)	2	.57
10-2	H012-6160380	FM-86H-4621	WO-52876	CONE and ROLLERS, differential drive pinion inner bearing (1.375 bore x 1.125) (TIM-31593)	2	
10-2	H012-6122200	FM-GP-4630	WO-52878	CONE and ROLLERS, differential drive pinion outer bearing (1.125 bore x 0.875) (TIM-02872)	1	.641
10-2	H012-6220960	FM-GP-4222	WO-52881	CUP, differential case bearing (3.000 O.D. x 0.8125 wide) (TIM-24721)	1	.505
10-2	H012-6224700	FM-86H-4616	WO-52877	CUP, differential drive pinion inner bearing (3.00 O.D. x 0.9375 wide) (TIM-31520)	2	.31
10-2	H012-6209750	FM-GP-4628	WO-52879	CUP, differential drive pinion outer bearing (2.875 O.D. x 0.6875 wide) (TIM-02820)	1	.342
	8080-16969X	FM-GPW-4207		DIFFERENTIAL, assembly (superseded by DIFFERENTIAL, assembly, FM-GPW-4212, WO-A-788)	1	.293
	8080-16968X	FM-GPW-4212	WO-A-788	DIFFERENTIAL, assembly (SP-16968-X) (includes CASE, GEARS and PINIONS) (supersedes DIFFERENTIAL, assembly, FM-GPW-4207)	1	
	8080-S-171	FM-GP-4661	WO-636565	GASKET, differential drive pinion shaft oil seal (SP-S-171) (also in GASKET SET, FM-GPW-18365-B, WO-A-7830)	1	17.43
10-2	8080-16385	FM-GPW-4236	WO-A-794	GEAR, differential, side (2.758 O.D. x 1 3/8 in. wide, 16 teeth) (SP-16385) (also in KIT, FM-GPW-18389, WO-A-6816)	1	



Key	Part Name	Ford Part No.	Willys Part No.	Group No.
A	HOUSING	FM-GPW-3074	WO-A-1703	1001
B	NUT	FM-GP-1013	WO-A-475	1007
C	SHIM SET	FM-GPW-18336	WO-A-6881	1007
D	FLANGE	FM-GP-3204	WO-A-868	1007
E	WASHER	FM-356504-S	WO-636570	1007
F	PIN	FM-72089-S	WO-5134	1007
G	NUT	FM-356126-S	WO-636569	1007
H	CAP	FM-GP-1139	WO-A-869	1302
J	BOLT	FM-GP-1110	WO-A-760	1007
K	WASHER	FM-34807-S2	WO-5010	1007
L	END, assembly	FM-GP-3292	WO-A-847	1402
M	CLAMP	FM-51-3287	WO-A-1706	1402
N	TUBE	FM-GPW-3282	WO-A-1709	1402
P	CRANK, bell	FM-GPW-3131-B	WO-A-8249	1401
Q	PIN	FM-GP-3218	WO-A-1723	1007
R	PILOT	FM-GP-3219	WO-A-1722	1007
S	RACE	FM-GP-3221	WO-A-1720	1007
T	CAGE	FM-GP-3215-A	WO-A-1719	1007
U	BALL	FM-358074-S	WO-A-1721	1007
V	SCREW	FM-24622-S	WO-A-1725	1007
W	SHAFT	FM-GP-3017-A	WO-A-1729	1007
X	SNAP RING	FM-GP-3216	WO-A-1726	1007
Y	RETAINER	FM-GP-3217	WO-A-1724	1007
Z	END, assembly	FM-GP-3291	WO-A-838	1402
AA	TUBE	FM-GP-3281	WO-A-1705	1402

RA PD 342281

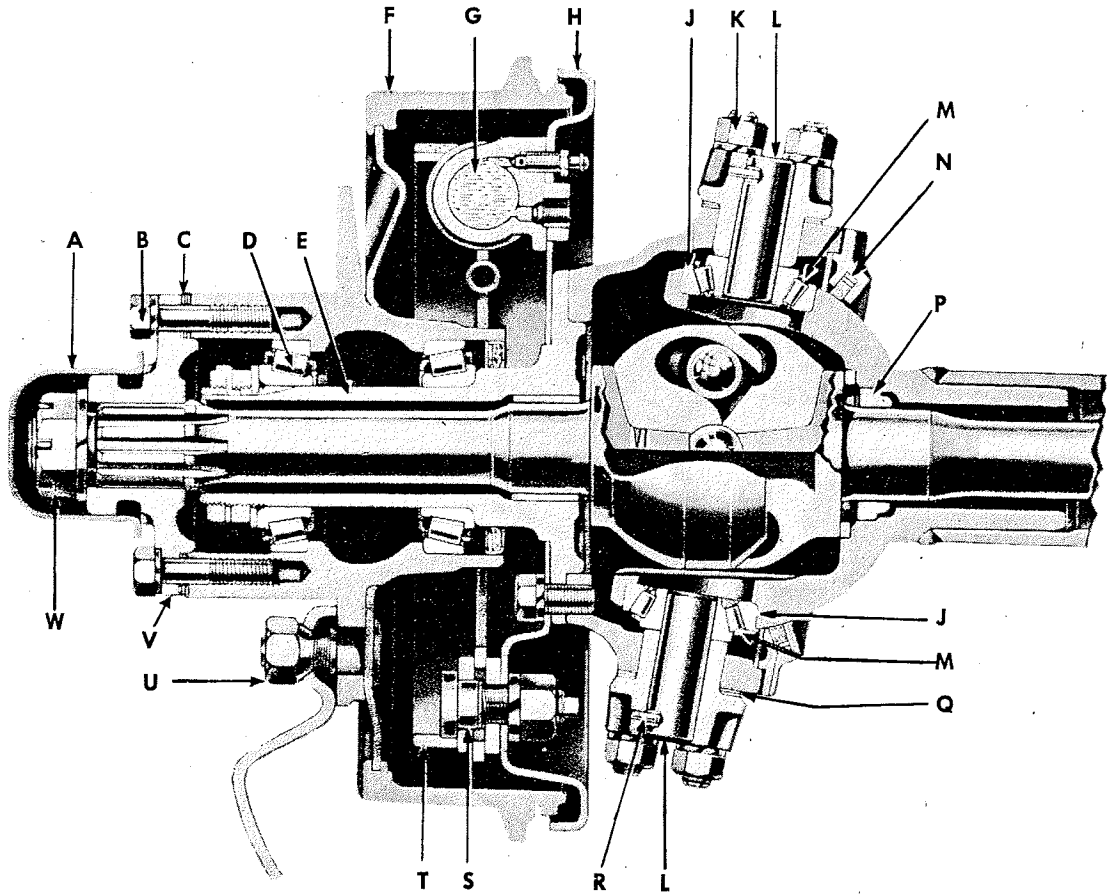
FIGURE 10-3—FRONT AXLE HOUSING, SHAFT AND RELATED PARTS

GROUP 10—FRONT AXLE (Cont'd)

Figure Number	Official Stock Number	Piece Mark or Part Number		ITEM	Quant. Reqd. per Unit Assy	Unit Price	
		Ford No.	Willys No.				
Col. 1	Col. 2	Col. 3	Col. 4	Col. 5	Col. 6	Col. 7	
10-2	8080-16412X	FM-GPW-4209	WO-A-789	1003—DIFFERENTIAL CASE, GEARS, PINIONS AND BEARINGS (Cont'd) (Items in this group are the same for front and rear axles) GEAR, drive, differential, w/PINION (SP-16412-X) (matched set). (also in KIT, FM-GPW-18384, WO-A-6816) KIT, repair, differential case gears..... (Consists of: 2 GEAR, side 2 PINION, differential 1 SHAFT, pinion 2 WASHER, thrust, pinion 2 WASHER, thrust, side gear) KIT, repair, differential drive gear and pinion..... (Consists of: 1 GEAR, drive, w/PINION 1 NUT, hex., slotted, S, 3/4-16NF-3 8 SCREW, drive gear 4 STRAP, lock) OIL SEAL, differential drive pinion bearing (superseded by OIL SEAL, FM-GP-4676-A, WO-639265)..... OIL SEAL, differential drive pinion bearing (leather) (SP-14223) (supersedes OIL SEAL, FM-GP-4676, WO-636569)..... PIN, lock, differential pinion shaft (SP-13449)..... PINION, differential (1.140 O.D., 10 teeth) (SP-15926) (also in KIT, FM-GPW-18389, WO-A-6816)..... SCREW, differential drive gear (SP-6-73-414) (also in KIT, FM-GPW-18384, WO-A-6816)..... SHAFT, differential pinion (SP-16075) (also in KIT, FM-GPW-18389, WO-A-6816)..... SHIELD, dust, universal joint end yoke, differential drive pinion shaft (SP-15099) SHIM, adjusting, differential case bearing (0.003 thk.) (SP-S-58) (also in SHIM SET, FM-GPW-18388, WO-A-6744)..... SHIM, adjusting, differential case bearing (0.005 thk.) (SP-S-59) (also in SHIM SET, FM-GPW-18388, WO-A-6744)..... SHIM, adjusting, differential case bearing (0.010 thk.) (SP-S-74) (also in SHIM SET, FM-GPW-18388, WO-A-6744)..... SHIM, adjusting, differential case bearing (0.030 thk.) (SP-S-75) (also in SHIM SET, FM-GPW-18388, WO-A-6744).....	1	3.93	
	3320-GPW-18389	FM-GPW-18389	WO-A-6743			1	
	8080-16385	FM-GPW-4236	WO-A-794				
		FM-GPW-4215	WO-A-796				
		FM-GP-4211	WO-A-798				
		FM-GP-4230	WO-A-797				
		FM-GP-4228	WO-A-795				
	3320-GPW-18384	FM-GPW-18384	WO-A-6816			1	10.25
		FM-GPW-4209	WO-A-789				
		FM-356126-S	WO-636569				
		FM-355511-S	WO-A-871				
		FM-GP-4281	WO-A-792				
	H013-0500071	FM-GP-4676	WO-636569				
10-2	H013-0500071	FM-GP-4676-A	WO-639265			1	.228
10-2	8080-13449	FM-GP-4241	WO-636360			1	
10-2	8080-15926	FM-GPW-4215	WO-A-796			1	.0355
10-2	8080-6-73-414	FM-355511-S	WO-A-871			2	
10-2	8080-16075	FM-GP-4211	WO-A-798		8	.0125	
	8080-15099	FM-GP-4666	WO-636568		1		
	8080-S-58	FM-GP-4229-A	WO-A-784		1		
	8080-S-59	FM-GP-4229-B	WO-A-785		as req.		
	8080-S-74	FM-GP-4229-C	WO-A-786		as req.		
	8080-S-75	FM-GP-4229-D	WO-A-787		as req.		

GROUP 10—FRONT AXLE (Cont'd)

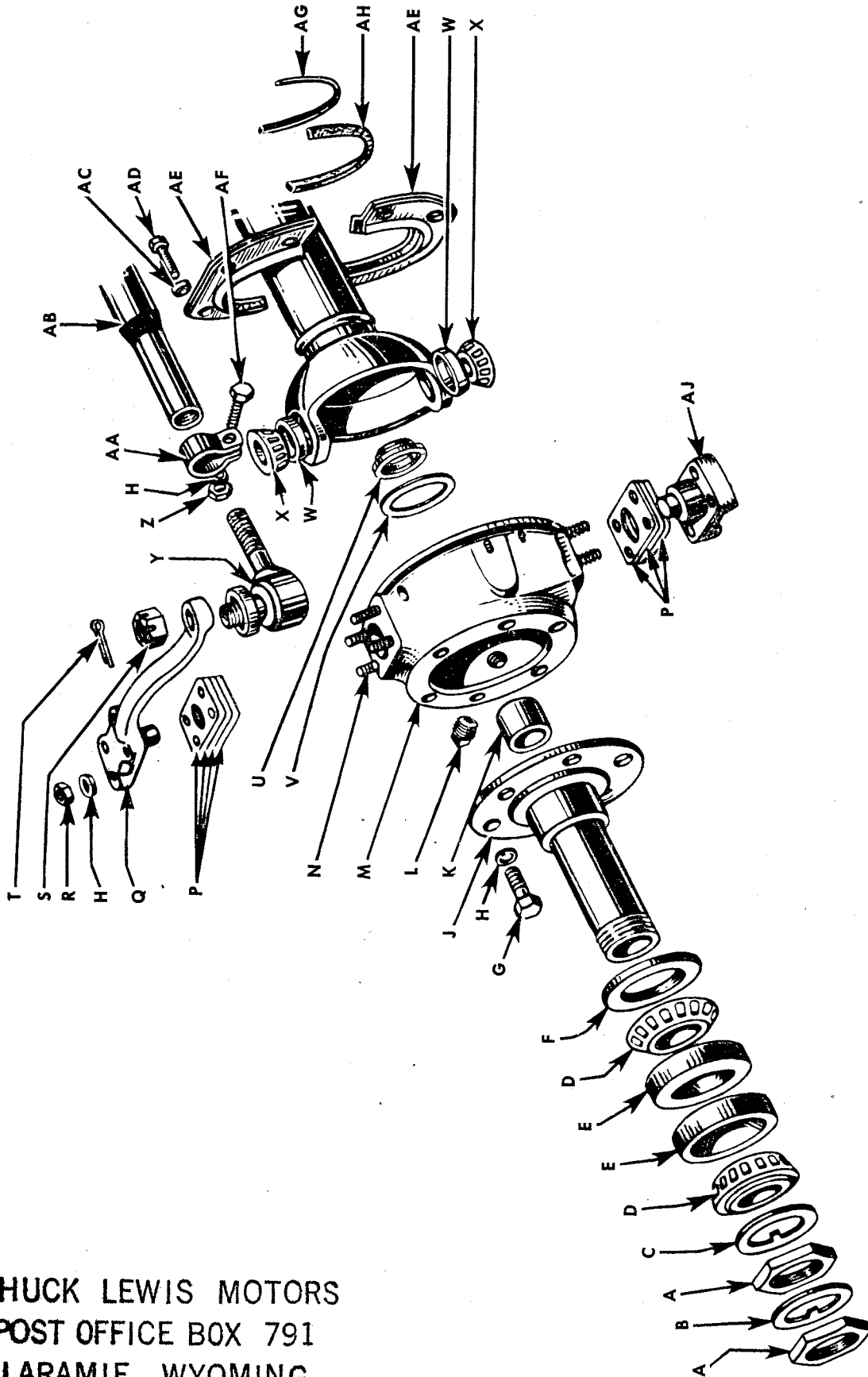
Figure Number	Official Stock Number	Piece Mark or Part Number		ITEM	Quant. Req'd. per Unit Assy.	Unit Price
		Ford No.	Willlys No.			
Col. 1	Col. 2	Col. 3	Col. 4	Col. 5	Col. 6	Col. 7
1006—STEERING KNUCKLE, FLANGE AND ARM						
10-1	8080-17302-X	FM-GPW-3113	WO-A-1712	ARM, steering knuckle, upper left (SP-17302-X) (includes king PIN and lock PIN)	1	3.08
10-1, 5	8080-17301-X	FM-GPW-3112	WO-A-1710	ARM, steering knuckle, upper right (SP-17301-X) (includes king PIN and lock PIN)	1	3.08
10-5	H001-4171601	FM-33786-S2	WO-636575	NUT, hex., S., $\frac{3}{8}$ -24NF-2	8	
		FM-357703-S	WO-A-1714	STUD, S., $\frac{3}{8}$ -24NF-3 x 2 (SP-S-962)	4	
		FM-GPW-3325	WO-A-5504	STUD, S., $\frac{3}{8}$ -24NF-3 x 2	4	
	H001-1518009	FM-34807-S2	WO-5010	WASHER, lock, S., SAE std., $\frac{3}{8}$ in.	4	
	8080-6-73-1117	FM-355526-S	WO-A-821	BOLT, hex-hd., S., $\frac{3}{8}$ -24NF-3 x $1\frac{1}{16}$ (steering knuckle stop) (SP-6-73-1117)	8	
	8080-17003	FM-33911-S2	WO-A-873	NUT, lock, hex., S., $\frac{3}{8}$ -24NF-3 (SP-6-75-101)	2	.0125
		FM-GP-3205		BUSHING, front wheel spindle, inside (superseded by BUSHING, FM-GP-3205-A, WO-A-853)	2	
10-4, 5	8080-17003	FM-GP-3205-A	WO-A-853	BUSHING, front wheel spindle, inside (bz., 1.251 I.D. x 1.376 O.D. x $\frac{7}{8}$ wide) (WP-17003) supersedes BUSHING, FM-GP-3205)	2	
10-5	8080-17048-X	FM-GP-3140	WO-A-828	CAP, king pin bearing, lower, assembly (SP-17048-X) (includes king PIN and lock PIN)	8	1.271
10-4	H001-4171601	FM-33786-S2	WO-636575	NUT, hex., S., $\frac{3}{8}$ -24NF-2	2	
10-5	H001-1518009	FM-357703-S	WO-A-1714	STUD, S., $\frac{3}{8}$ -24NF-3 x 2	8	
		FM-34807-S2	WO-5010	WASHER, lock, S., SAE std., $\frac{3}{8}$ in.	8	
10-4, 5	H012-6133330	FM-GP-3161	WO-52940	CONE and ROLLERS, king pin bearing (0.625 bore x $\frac{3}{8}$ wide) (TIM-11590)	4	.375
10-4, 5	H012-6216140	FM-GP-3162	WO-52941	CUP, king pin bearing (1.687 O.D. x $\frac{3}{8}$ wide) (TIM-11520)	4	.179
	8080-17041	FM-GP-1092	WO-A-820	GASKET, steering knuckle oil seal (SP-17041) (also in GASKET SET, FM-GPW-18365-B, WO-A-7830)	2	.0236
10-5	8080-17222	FM-GP-3149-A	WO-A-812	KNUCKLE, steering, left (SP-17222)	1	3.03
10-5	8080-17221	FM-GP-3148-A	WO-A-811	KNUCKLE, steering, right (SP-17221)	1	3.03
		FM-GP-3135	WO-A-819	OIL SEAL, felt, steering knuckle (half) (SP-17019) (also in GASKET SET, FM-GPW-18365-B, WO-A-7830)	4	
10-4, 5	8080-17135-X	FM-GP-1088	WO-A-813	OIL SEAL, steering knuckle, assembly (half) (SP-17135-X)	4	.326
10-4	8080-16991	FM-GP-3115	WO-A-824	PIN, king (SP-16991)	4	.155
10-4	8080-S-957	FM-GP-3122	WO-A-825	PIN, lock, king pin (S., $\frac{1}{8}$ O.D. x $\frac{3}{8}$ lgh.) (SP-S-957)	4	.0062
10-5	8080-17133-X	FM-353064-S	WO-5140	PLUG, filler, steering arm knuckle (SP-50-39-2)	4	.0125
		FM-GP-1089	WO-A-814	RETAINER, steering knuckle oil seal (SP-17133-X)	2	
10-5		FM-24327-S7	WO-52132	BOLT, hex-hd., S., cd-pltd., $\frac{3}{8}$ -24NF-2 x $\frac{5}{8}$	4	.0026
10-5		FM-34941-S7	WO-53029	WASHER, lock, S., cd-pltd., external tooth, flat type, $\frac{3}{8}$ in.	16	.0019
	8080-16992-1	FM-GP-3117-A	WO-A-830	SHIM, adjusting, king pin bearing (0.003 thk.) (SP-16992-1) (also in SHIM SET, FM-GPW-18338, WO-A-6882)	16	
	8080-16992-2	FM-GP-3117-B	WO-A-831	SHIM, adjusting, king pin bearing (0.005 thk.) (SP-16992-2) (also in SHIM SET, FM-GPW-18338, WO-A-6882)	as req.	
					as req.	



Key	Part Name	Ford Part No.	Willys Part No.	Group No.
A	CAP.....	FM-GPW-1139.....	WO-A-869.....	1302
B	BOLT.....	FM-GP-1110.....	WO-A-760.....	1007
C	SHIM.....	FM-GP-3208-A.....	WO-A-862.....	1007
D	CONE and ROLLERS.....	FM-GP-1201.....	WO-52942.....	1301A
E	SPINDLE.....	FM-GP-3105.....	WO-A-851.....	1006
F	HUB and DRUM (L.H.).....	FM-GP-1103.....	WO-A-1689.....	1302
	HUB and DRUM (R.H.).....	FM-GP-1102.....	WO-A-1690.....	1302
G	CYLINDER, assembly.....	FM-GPW-2061.....	WO-A-1484.....	1207
H	PLATE.....	FM-GP-2013.....	WO-A-8898.....	1203
J	CUP.....	FM-GP-3162.....	WO-52941.....	1006
K	NUT.....	FM-33786-S2.....	WO-636575.....	1006
L	PIN.....	FM-GP-3115.....	WO-A-824.....	1006
M	CONE and ROLLERS.....	FM-GP-3161.....	WO-52940.....	1006
N	OIL SEAL.....	FM-GP-1088.....	WO-A-813.....	1006
P	BUSHING.....	FM-GP-3205-A.....	WO-A-853.....	1006
Q	SHIM.....	FM-GPW-18338.....	WO-A-6882.....	1006
R	PIN.....	FM-GP-3122.....	WO-A-825.....	1006
S	PIN.....	FM-91A-2027.....	WO-637889.....	1203
T	SHOE, assembly.....	FM-GP-2018.....	WO-116549.....	1202
U	NUT (L.H. thd.).....	FM-GP-1013.....	WO-A-475.....	1302A
	NUT (R.H. thd.).....	FM-GP-1012.....	WO-A-476.....	1302A
V	FLANGE.....	FM-GP-3204.....	WO-A-868.....	1007
W	NUT.....	FM-356126-S.....	WO-636569.....	1007

RA PD 342271

FIGURE 10-4—FRONT AXLE STEERING KNUCKLE,
UNIVERSAL JOINT AND RELATED PARTS—SECTIONAL VIEW



RA PD 342280

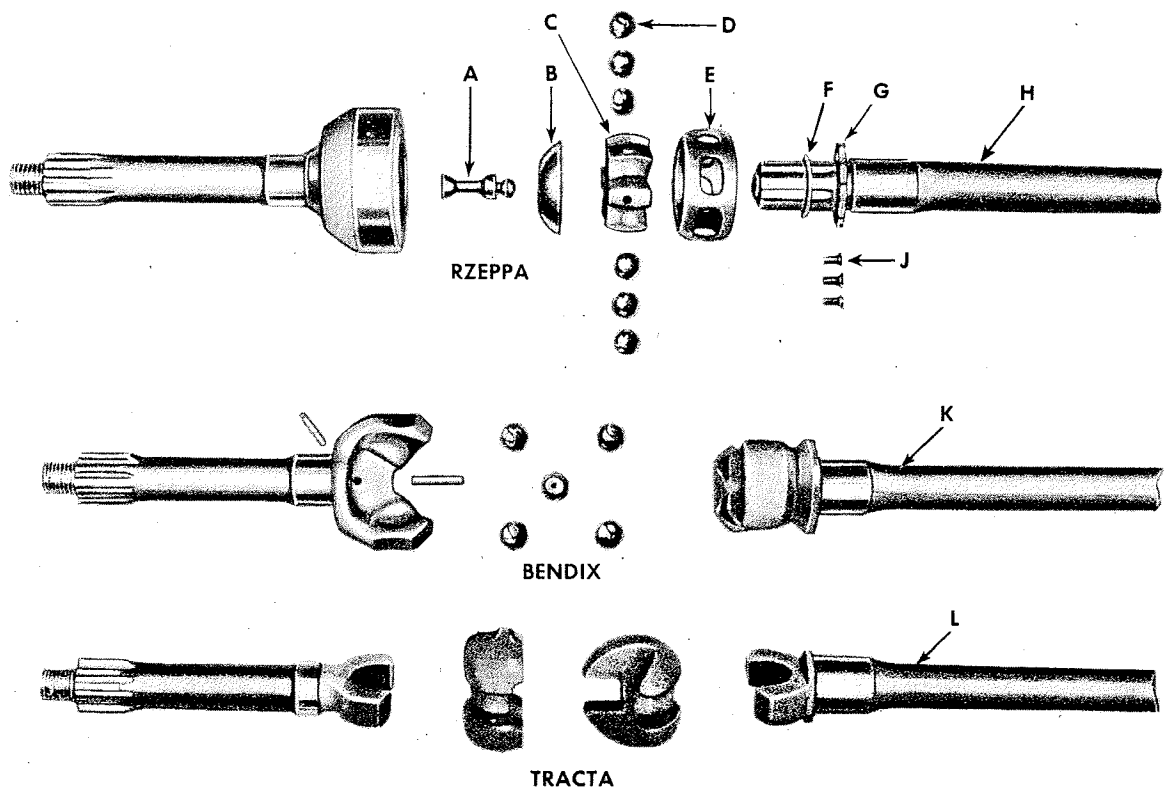
FIGURE 10-5—FRONT AXLE STEERING KNUCKLE AND RELATED PARTS—EXPLODED VIEW

CHUCK LEWIS MOTORS
 POST OFFICE BOX 791
 LARAMIE, WYOMING
 82070

Key	Part Name	Ford Part No.	Willlys Part No.	Group No.	Key	Part Name	Ford Part No.	Willlys Part No.	Group No.
A	NUT	FM-GP-4252	WO-A-866	1301A	T	PIN	FM-72034-S	WO-A-1642	1402
B	WASHER	FM-GP-1124	WO-A-867	1301A	U	BUSHING	Willys only	WO-A-6362	1007
C	WASHER	FM-GP-1218	WO-A-865	1301A	V	WASHER	FM-GP-3374	WO-A-780	1007
D	CONE and ROLLERS	FM-GP-1201	WO-52942	1301A	W	CUP	FM-GP-3162	WO-52941	1006
E	CUP	FM-GP-1202	WO-52943	1301A	X	CONE and ROLLERS	FM-GP-3161	WO-52940	1006
F	OIL SEAL	FM-GP-1177	WO-A-864	1301B	Y	END, assembly	FM-GP-3292	WO-A-847	1402
G	BOLT	FM-35552-S	WO-5140	1006	Z	NUT	FM-33800-S7	WO-52542	1402
H	WASHER	FM-34807-S2	WO-5010	1006	AA	CLAMP	FM-51-3287	WO-A-1706	1402
J	SPINDLE	FM-GP-3105	WO-A-851	1006	AB	TUBE	FM-GPW-3281	WO-A-1705	1402
K	BUSHING	FM-GP-3205-A	WO-A-853	1006	AC	WASHER	FM-34941-S7	WO-53029	1006
L	PLUG	FM-353064-S	WO-5140	1006	AD	BOLT	FM-24327-S7	WO-52132	1006
M	KNUCKLE	FM-GP-3148-A	WO-A-811	1006	AE	OIL SEAL	FM-GP-1088	WO-A-813	1006
N	STUD	FM-357703-S	WO-A-1714	1006	AF	BOLT	FM-24916-S2	WO-A-1707	1402
P	SHIM SET	FM-GPW-18338	WO-A-6882	1006	AG	STRIP	FM-GP-3139	WO-A-818	1006
Q	ARM	FM-GPW-3112	WO-A-1710	1006	AH	OIL SEAL	FM-GP-3135	WO-A-819	1006
R	NUT	FM-33786-S2	WO-636575	1006	AJ	CAP	FM-GP-3140	WO-A-828	1006
S	NUT	FM-351059-S7	WO-10558	1402					

GROUP 10—FRONT AXLE (Cont'd)

Figure Number	Official Stock Number	Piece Mark or Part Number		ITEM	Quant. Req'd. per Unit Assy.	Unit Price
		Ford No.	Willlys No.			
Col. 1	Col. 2	Col. 3	Col. 4	Col. 5	Col. 6	Col. 7
10-4, 5	8080-16992-3 8080-16992-4 3320-GPW-18338	FM-GP-3117-C FM-GPW-3117-D FM-GPW-18338	WO-A-832 WO-A-833 WO-A-6882	1006—STEERING KNUCKLE, FLANGE AND ARM (Cont'd) SHIM, adjusting, king pin bearing (0.010 thk.) (SP-16992-3) (also in SHIM SET, FM-GPW-18338, WO-A-6882) SHIM, adjusting, king pin bearing (0.030 thk.) (SP-16992-4) (also in SHIM SET, FM-GPW-18338, WO-A-6882) SHIM SET, adjusting, king pin bearing (Consists of: 4 SHIM, 0.003 thk. 4 SHIM, 0.005 thk. 8 SHIM, 0.010 thk. 6 SHIM, 0.030 thk.) SPINDLE, front wheel, w/BUSHING, assembly (SP-17202-X) BOLT, hex-hd., S, $\frac{3}{8}$ -24NF-2 x $\frac{3}{4}$ WASHER, lock, S, SAE std., $\frac{3}{8}$ in. STRIP, pressure, steering knuckle oil seal (rubber) (SP-16983) (also in GASKET SET, FM-GPW-18365-B, WO-A-7830)	as req. as req. 1	.228
10-1, 4, 5 10-5 10-5 10-5	8080-17202-X H001-1518009 8080-16983	FM-GP-3105 FM-355552-S FM-34807-S2 FM-GP-3139	WO-A-830 WO-A-831 WO-A-832 WO-A-833 WO-A-851 WO-A-877 WO-5010 WO-A-818		2 12 12 4	3.763 .0167
10-3, 6 10-5 10-3, 6 10-3, 4 10-3, 4 10-3, 4 10-3 10-3 10-3		FM-358074-S FM-GP-3215-A FM-GP-3204 FM-GP-1110 FM-356126-S FM-72089-S FM-34807-S2 FM-356504-S	WO-A-1721 WO-A-6362 WO-A-1719 WO-A-868 WO-A-760 WO-636569 WO-5134 WO-5010 WO-636570 WO-A-6361 WO-A-6471 WO-A-6472	1007—AXLE SHAFTS AND UNIVERSAL JOINTS BALL, universal joint (S, $\frac{11}{16}$) (for Rzeppa joint) (also in KIT, FM-GPW-18391, WO-A-7111) BUSHING, front axle shaft, outer (SP-17361) (NP-38493) (required when replacing Bendix or Rzeppa joint with Tracta) CAGE, front axle universal joint (SP-17230) (for Rzeppa joint) (also in KIT, FM-GPW-18391, WO-A-7111) FLANGE, drive, front axle shaft (SP-17153) BOLT, hex-hd., S, $\frac{3}{8}$ -16NC-2 x $1\frac{1}{2}$ (SP-G-13-124) NUT, hex, slotted, S, $\frac{3}{4}$ -16NF-3 (SP-S-1135) PIN, cotter, split S, $\frac{1}{8}$ x $1\frac{3}{4}$ WASHER, lock, S, SAE std., $\frac{3}{8}$ in. WASHER, plain, S, $\frac{3}{4}$ in. (SP-1056) JOINT, universal, axle shaft, assembly (SP-17356-X) KIT, repair, axle shaft and universal joint, left (Tracta joint) KIT, repair, axle shaft and universal joint, right (Tracta joint)	12 2 2 2 12 2 2 12 2 2 2 2 2 2 2 2 1 1	1.385 .0155 .0167 .0217



Key	Part Name	Ford Part No.	Willys Part No.	Group No.
A	PIN.....	FM-GP-3218.....	WO-A-1723.....	1007
B	PILOT.....	FM-GP-3219.....	WO-A-1722.....	1007
C	RACE.....	FM-GP-3221.....	WO-A-1720.....	1007
D	BALL.....	FM-358074-S.....	WO-A-1712.....	1007
E	CAGE.....	FM-GP-3215-A.....	WO-A-1719.....	1007
F	SNAP RING.....	FM-GP-3216.....	WO-A-1726.....	1007
G	RETAINER.....	FM-GP-3217.....	WO-A-1724.....	1007
H	SHAFT.....	FM-GP-3016-A.....	WO-A-1727.....	1047
J	SCREW.....	FM-24622-S2.....	WO-A-1725.....	1007
K	SHAFT, w/JOINT, assembly.....		WO-A-8837.....	1007
L	SHAFT, w/JOINT, assembly.....		WO-A-6030.....	1007

RA PD 342273

FIGURE 10-6—FRONT AXLE UNIVERSAL JOINTS

GROUP 10—FRONT AXLE (Cont'd)

Figure Number	Official Stock Number	Piece Mark or Part Number		ITEM	Quant. Req'd. per Unit Assy.	Unit Price
		Ford No.	Willlys No.			
Col. 1	Col. 2	Col. 3	Col. 4	Col. 5	Col. 6	Col. 7
	3320-GPW-18391	FM-GPW-18391	WO-A-7111	1007—AXLE SHAFTS AND UNIVERSAL JOINTS (Cont'd)	1	9.37
		FM-358074-S	WO-A-1712	KIT, repair, front axle universal joint (for Rzeppa joint)		
		FM-GP-3215-A	WO-A-1719	(Consists of:		
	8080-17233	FM-GP-3219	WO-A-1722	12 BALL, universal joint		
	8080-17224	FM-GP-3218	WO-A-1723	2 CAGE, universal joint ball		
	8080-17231	FM-GP-3221	WO-A-1720	2 PILOT, universal joint		
	8080-17216	FM-GP-3217	WO-A-1724	2 PIN, universal joint pilot		
		FM-GP-3216	WO-A-1726	2 RACE, universal joint ball, inner		
		FM-24622-S	WO-A-1725	2 RETAINER, axle shaft, universal joint		
		FM-GP-3034	WO-A-779	2 SNAP RING, axle shaft retainer		.0016
	H013-0500030	FM-GP-3034	WO-A-779	6 SCREW, axle shaft retainer		
10-2	H013-0500034	FM-GP-3031-A	WO-A-778	OIL SEAL, axle shaft, inner end (SP-17036)	2	.0938
		FM-GP-3219	WO-A-1722	OIL SEAL, front axle shaft, outer end (SP-17153) (use with Bendix or Rzeppa joints)	2	.0943
10-3, 6				PILOT, front axle universal joint (SP-17233) (for Rzeppa joint) (also in KIT, FM-GPW-18391, WO-A-7111)	2	.375
10-3, 6		FM-GP-3218	WO-A-1723	PIN, front axle universal joint pilot (SP-17224) (for Rzeppa joint) (also in KIT, FM-GPW-18391, WO-A-7111)	2	.156
10-3, 6		FM-GP-3221	WO-A-1720	RACE, front axle universal joint, inner (SP-17231) (for Rzeppa joint) (also in KIT, FM-GPW-18391, WO-A-7111)	2	
10-3, 6		FM-GP-3217	WO-A-1724	RETAINER, axle shaft, front axle universal joint (SP-17216) (for Rzeppa joint) (also in KIT, FM-GPW-18391, WO-A-7111)	2	
10-3, 6		FM-24622-S2	WO-A-1725	SCREW, fl-hd., S, No. 8 (0.164)-32NC-2 x 1 1/8 (SP-17217) (for Rzeppa joint) (also in KIT, FM-GPW-18391, WO-A-7111)	6	2.981
10-2, 3	8080-17122-4	FM-GP-3017-A	WO-A-1729	SHAFT, front axle, inner, left (SP-17122-4) (for Rzeppa joint)	1	
10-2, 6	8080-17122-3	FM-GP-3016-A	WO-A-6383	SHAFT, front axle, inner, right (SP-17122-3) (for Rzeppa joint)	1	2.883
			WO-A-1727	SHAFT, front axle, inner, right (SP-17360-1) (NP-38492)	1	
			WO-A-6384	SHAFT, front axle, outer (SP-17359) (NP-38373)	2	
			WO-A-6382	SHAFT, front axle, outer (SP-17229) (for Rzeppa joint)	1	
	8080-17121X	FM-GP-3200	WO-A-1718	SHAFT, front axle, outer, w/universal JOINT, assembly (has Rzeppa universal joint) (superseded by SHAFT, FM-GP-3200-A, WO-A-1716)	1	13.37
	8080-17121X	FM-GP-3200-A	WO-A-1716	SHAFT, front axle, outer, w/universal JOINT, assembly (SP-17121-X) (has Rzeppa universal joint) (supersedes SHAFT, FM-GP-3200)	1	
10-6	8080-17128-4X	FM-GPW-3207-A	WO-A-6030	SHAFT, front axle, left, w/universal JOINT, assembly (WO-A-6030 has Bendix or Tracta universal joint. FM-GPW-3207-A has Rzeppa universal joint. Complete assemblies are interchangeable)	1	16.52
			WO-A-810	SHAFT, front axle, left, w/universal JOINT, assembly (SP-17128-2X) (Bendix joint)	1	

3320-GPW-3227	FM-GPW-3227	WO-A-8836	SHAFT, front axle, left, w/universal JOINT and NUT, assembly (WO-A-8836 has Bendix or Tracta universal joint. FM-GPW-3227 has Rzeppa universal joint. Complete assemblies are interchangeable).	1	
8080-17128-3X	FM-GPW-3206-A	WO-A-6031	SHAFT, front axle, right, w/universal JOINT, assembly (WO-A-6031 has Bendix or Tracta universal joint. FM-GPW-3206-A has Rzeppa universal joint. Complete assemblies are interchangeable).	1	16.42
3320-GPW-3226	FM-GPW-3226	WO-A-809 WO-A-8837	SHAFT, front axle, right, w/universal JOINT and NUT, assembly (WO-A-8837 has Bendix or Tracta universal joint. FM-GPW-3226 has Rzeppa universal joint. Complete assemblies are interchangeable).	1	
8080-17155-1	FM-GP-3208-A	WO-A-862	SHIM, adjusting, front axle universal joint (0.010 thk.) (SP-17155-1) (also in SHIM SET, FM-GPW-18336, WO-A-6881)	as req.	
8080-17155-2	FM-GP-3208-B	WO-A-863	SHIM, adjusting, front axle universal joint (0.030 thk.) (SP-17155-2) (also in SHIM SET, FM-GPW-18336, WO-A-6881)	as req.	.489
8080-1056	FM-GPW-18336	WO-A-6881	SHIM SET, adjusting, front axle universal joint (SP-1056) (at drive flange)	1	
			(Consists of:		
			6 SHIM, 0.010 thk.		
			3 SHIM, 0.030 thk.)		
8080-17218	FM-GP-3208-A FM-GP-3208-B FM-GP-3216	WO-A-862 WO-A-863 WO-A-1726	SNAP RING, front axle universal joint shaft retainer (SP-17218) (for Rzeppa joint) (also in KIT, FM-GPW-18391, WO-A-7111)	2	.0016
8080-5953	FM-GP-3374	WO-A-780	WASHER, thrust, front axle shaft to housing (SP-S-953)	2	.0839

GROUP 11—REAR AXLE
1100—REAR AXLE ASSEMBLY

8080-2051-1 8080-2051-1	FM-GPW-4001	WO-A-445 WO-A-5500	AXLE, rear, assembly (4.88 ratio)	1	
3320-GPW-18366	FM-GPW-18366	WO-A-1545	AXLE, rear, w/BRAKES, DRUMS and HUBS, assembly (WO-A-5500 includes brake line tubes. FM-GPW-4001 does not include brake line tubes)	1	79.55
			GASKET SET, rear axle (superseded by GASKET SET, FM-GPW-18366-B, WO-A-7831)	1	.0938
			(Consists of:		
			1 GASKET, axle housing cover		
			2 GASKET, axle shaft, outer end		
			1 GASKET, drive pinion shaft oil seal		
			1 OIL SEAL, axle shaft, inner end		
			2 OIL SEAL, drive pinion shaft		
			2 OIL SEAL, wheel bearing)		
3320-GPW-18366-B	FM-GPW-18366-B	WO-A-782 WO-A-904 WO-636565 WO-A-779 WO-639265 WO-A-864 WO-A-7831	GASKET SET, rear axle (supersedes GASKET SET, FM-GPW-18366, WO-A-1545)	1	.15
			(Consists of:		
			1 GASKET, axle housing cover		
			2 GASKET, axle shaft, outer end		
			1 GASKET, drive pinion shaft oil seal)		

CHUCK LEWIS MOTORS
POST OFFICE BOX 791
LARAMIE, WYOMING
82070

RA PD 342285

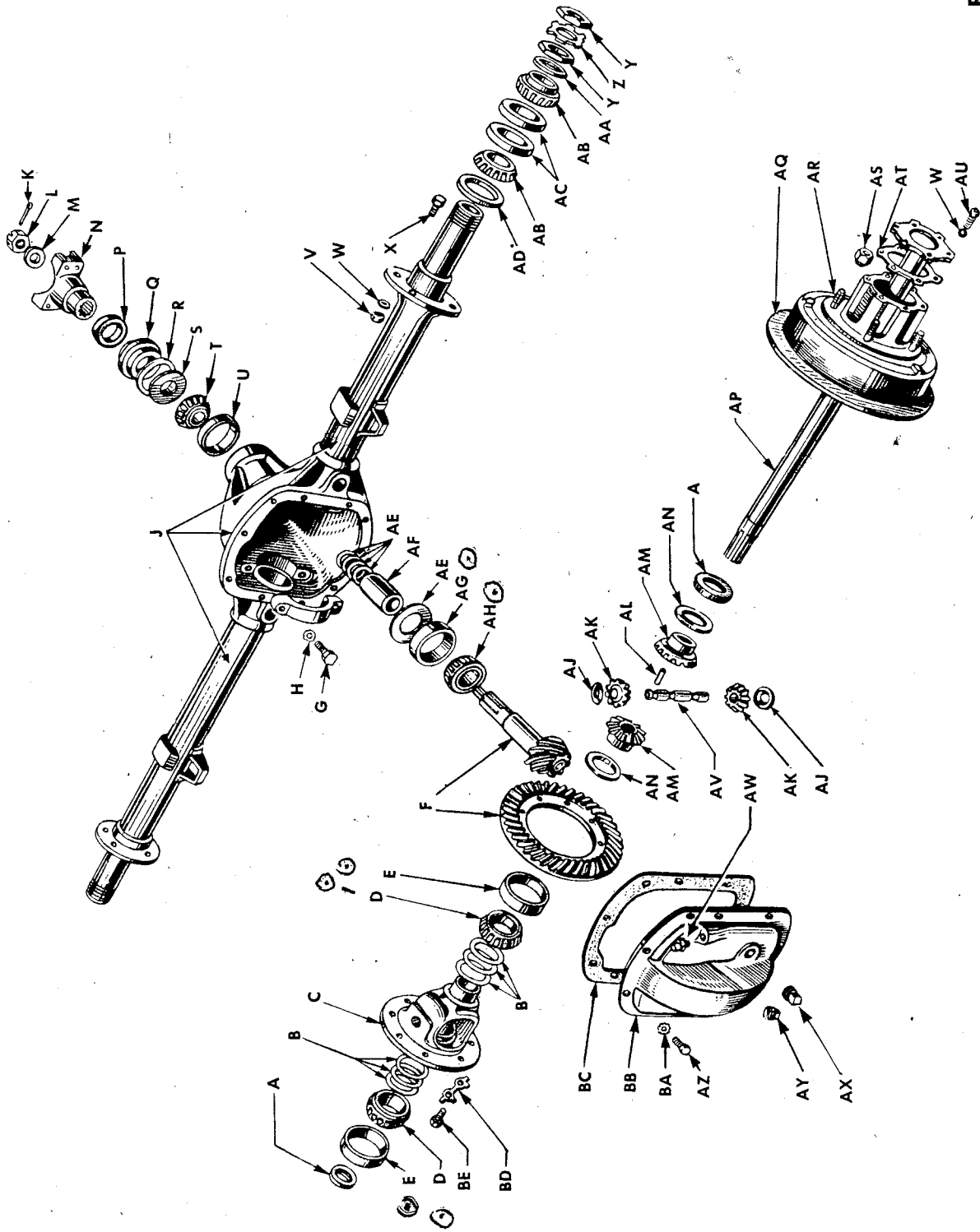


FIGURE 11-1—REAR AXLE ASSEMBLY—EXPLODED VIEW

Key	Part Name	Ford Part No.	Willlys Part No.	Group No.	Key	Part Name	Ford Part No.	Willlys Part No.	Group No.
A	OIL SEAL	FM-GP-3034	WO-A-779	1102	AD	OIL SEAL	FM-GP-1177	WO-A-864	1301B
B	SHIM SET	FM-GPW-18388	WO-A-6744	1104	AE	SHIM SET	FM-GPW-18386	WO-A-6745	1104
C	CASE	FM-GP-4206	WO-A-793	1104	AF	SPACER	FM-GP-4668	WO-A-799	1104
D	CONE and ROLLERS	FM-GP-4221	WO-52880	1104	AG	CUP	FM-86H-4616	WO-52877	1104
E	CUP	FM-GP-4222	WO-52881	1104	AH	CONE and ROLLERS	FM-86H-4621	WO-52876	1104
F	GEAR SET	FM-GPW-4209	WO-A-789	1104	AJ	WASHER	FM-GP-4230	WO-A-797	1104
G	BOLT	FM-355699-S	WO-636527	1104	AK	PINION	FM-GPW-4215	WO-A-796	1104
H	WASHER	FM-34922-S	WO-636528	1104	AL	PIN	FM-GP-4241	WO-636360	1104
J	HOUSING, assembly	FM-GPW-4004	WO-A-888	1101	AM	GEAR	FM-GPW-4236	WO-A-794	1104
K	PIN	FM-357202-S	WO-636571	1104	AN	WASHER	FM-GP-4228	WO-A-795	1104
L	NUT	FM-356126-S	WO-636569	1104	AP	SHAFT	FM-GPW-4234	WO-A-901	1102
M	WASHER	FM-356504-S	WO-636570	1104	AQ	DRUM	FM-GP-1102	WO-A-1690	1302
N	YOKE, w/SHIELD, assembly	FM-GP-4842	WO-A-1445	1104	AR	BOLT	FM-GP-1107	WO-A-474	1302A
P	SHIELD	FM-GP-4666	WO-636568	1104	AS	NUT	FM-GP-1012	WO-A-476	1302A
Q	OIL SEAL	FM-GP-4676-A	WO-639265	1104	AT	GASKET	FM-GP-4032	WO-A-904	1102
R	GASKET	FM-GP-4661	WO-636565	1104	AU	BOLT	FM-GP-1110	WO-A-760	1102
S	SLINGER	FM-GP-4619	WO-636566	1104	AV	SHAFT	FM-GP-4211	WO-A-798	1104
T	CONE and ROLLERS	FM-GP-4630	WO-52878	1104	AW	PLUG	FM-GP-4022	WO-A-870	1101
U	CUP	FM-GP-4628	WO-52879	1104	AX	PLUG	FM-353051-S	WO-636538	1101
V	NUT	FM-37786-S2	WO-636575	1203	AY	PLUG	FM-358048-S	WO-636577	1101
W	WASHER	FM-34807-S2	WO-5010	1203	AZ	BOLT	FM-20046-S2	WO-51523	1101
X	BOLT	FM-355578-S	WO-A-903	1203	BA	WASHER	FM-34941-S7	WO-53029	1101
Y	NUT	FM-GP-4252	WO-A-866	1301A	BB	COVER	FM-GP-4016-A	WO-A-10231	1101
Z	WASHER	FM-GP-1124	WO-A-867	1301A	BC	GASKET	FM-GP-4035	WO-A-782	1101
AA	WASHER	FM-GP-1218	WO-A-865	1301A	BD	STRAP	FM-GP-4281	WO-A-792	1104
AB	CONE and ROLLERS	FM-GP-1201	WO-52942	1301A	BE	SCREW	FM-355511-S	WO-A-871	1104
AC	CUP	FM-GP-1202	WO-52943	1301A					

FIGURE 11-1A—LEGEND FOR 11-1—REAR AXLE ASSEMBLY—EXPLODED VIEW

GROUP 11—REAR AXLE (Cont'd)

Figure Number	Official Stock Number	Piece Mark or Part Number		ITEM	Quant. Reqd. per Unit Assy.	Unit Price
		Ford No.	Willys No.			
Col. 1	Col. 2	Col. 3	Col. 4	Col. 5	Col. 6	Col. 7
				1101—HOUSING ASSEMBLY		
	8080-16976	FM-GP-4015	WO-A-781	COVER, axle housing (superseded by COVER, FM-GP-4016-A, WO-A-10231).	1	1.76
	8080-16976	FM-GP-4016		COVER, axle housing (SP-16976) (superseded by COVER, FM-GP-4016-A, WO-A-10231).	1	
11-1	8080-16976	FM-GP-4016-A	WO-A-10231	COVER, axle housing (supersedes COVER, FM-GP-4015; and COVER FM-GP-4016, WO-A-781).	1	
11-1	H001-1613461	FM-20046-S2	WO-51523	BOLT, hex-hd., S., $\frac{5}{16}$ -18NC-2 x $\frac{3}{4}$.	10	
11-1		FM-34941-S7	WO-53029	WASHER, lock, S., cd-pltd., external tooth, flat type, $\frac{5}{16}$ in.	10	.0019
11-1	8080-16409	FM-GP-4035	WO-A-782	GASKET, axle housing cover (SP-16409) (also in GASKET SET, FM-GPW-18366-B, WO-A-7831).	1	
11-1	8080-17226-X	FM-GPW-4004	WO-A-888	HOUSING, rear axle, w/TUBE, assembly (SP-17226-X).	1	27.14
11-1		FM-358048-S	WO-636577	PLUG, drain, axle housing (SP-S-780).	1	
11-1		FM-353051-S	WO-636538	PLUG, filler, axle housing (SP-50-39-4).	1	
11-1	8080-16979	FM-GP-4022	WO-A-870	PLUG, vent, axle housing (SP-16979).	1	
				1102—AXLE DRIVE SHAFTS		
11-1	8080-17146	FM-GP-4032	WO-A-904	GASKET, rear axle shaft, outer end (SP-17146) (also in GASKET SET, FM-GPW-18366-B, WO-A-7831).	2	.0015
				GUIDE, rear axle shaft (SP-17377).	2	
11-1	H013-0500030	FM-GPW-4259	WO-A-6439	OIL SEAL, axle shaft, inner end (SP-17036).	2	
	G503-0384602	FM-GP-3034	WO-A-779	SHAFT, rear axle, left (SP-17144-4).	1	1.89
11-1	G503-0384601	FM-GP-4235	WO-A-902	SHAFT, rear axle, right (SP-17144-3).	1	2.932
11-1	8080-6-73-124	FM-GPW-4234	WO-A-901	BOLT (hex-hd., S., $\frac{3}{8}$ -16NC-3 x 1 $\frac{1}{2}$) (SP-6-73-124).	12	.0155
	H001-1518009	FM-GP-1110	WO-A-760	WASHER, lock, S., SAE std., $\frac{3}{8}$ in.	12	
		FM-34807-S2	WO-5010			
				1104—DIFFERENTIAL CASE, GEARS, PINION AND BEARINGS (Items in this group are the same for front and rear axles)		
11-1		FM-355699-S	WO-636527	BOLT, differential case bearing cap (hex-hd., S., $\frac{1}{2}$ -13NC x 2 $\frac{1}{4}$) (SP-A-1358-1).	4	.0167
11-1		FM-34922-S	WO-636528	WASHER, lock, S., internal tooth, flat type, $\frac{1}{2}$ in.	4	
11-1	8080-16383	FM-GP-4206	WO-A-793	CASE, differential (SP-16383).	1	
11-1	H012-6146900	FM-GP-4221	WO-52880	CONE and ROLLERS, differential case bearing (1.625 bore x 1.000) (TIM-24780).	2	
11-1	H012-6160380	FM-86H-4621	WO-52876	CONE and ROLLERS, differential drive pinion inner bearing (1.375 bore x 1.125) (TIM-31593).	1	.641

Part Number	Part Name	Quantity	Unit
11-1	FM-GP-4630	2	.505
11-1	FM-GP-4222	2	.342
11-1	FM-86H-4616	1	.293
11-1	FM-GP-4628	1	
	FM-GPW-4207	1	
	FM-GPW-4212	1	17.43
11-1	FM-GP-4661	1	
11-1	FM-GPW-4236	1	
11-1	FM-GPW-4209	2	
	FM-GPW-18389	1	3.93
	FM-GP-4236	2	
	FM-GPW-4215	1	
	FM-GP-4211	1	
	FM-GP-4230	1	
	FM-GP-4228	1	
	FM-GPW-18384	1	10.25
	FM-356126-S	1	.228
	FM-355511-S	1	.0355
	FM-GPW-4209	1	
	FM-GP-4281	2	
	FM-GP-4676	8	.0125
11-1	FM-GP-4676-A	1	
11-1	FM-GP-4241	1	
11-1	FM-GPW-4215	1	
11-1	FM-355511-S	2	
11-1	FM-GP-4211	8	
11-1	FM-GP-4666	1	
11-1	FM-GP-4229-A	1	
	FM-GP-4229-B	1	
	FM-GP-4229-C	1	
	FM-GP-4229-D	1	

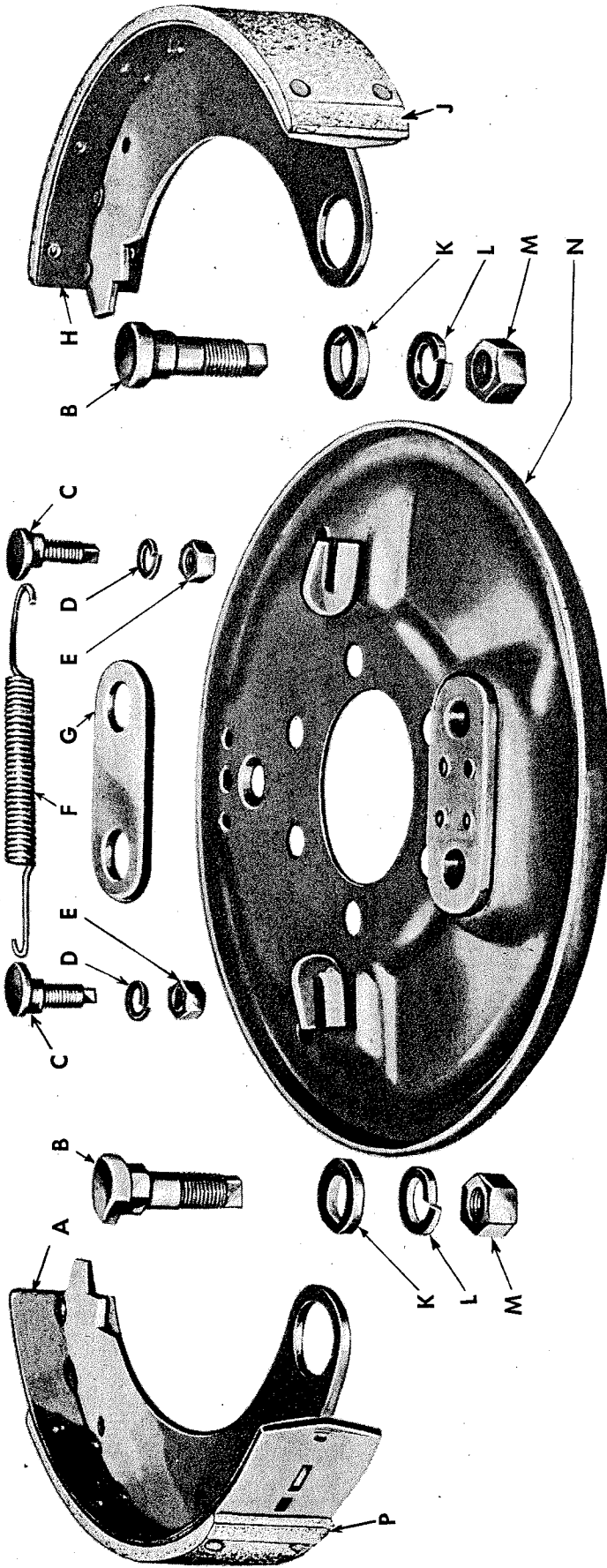
CONE and ROLLERS, differential drive pinion outer bearing (1.125 bore x .875) (TIM-02872)
 CUP, differential case bearing (3.000 O.D. x .8125 wide) (TIM-24721)
 CUP, differential drive pinion inner bearing (3.000 O.D. x .9375 wide) (TIM-31520)
 CUP, differential drive pinion outer bearing (2.875 O.D. x .6875 wide) (TIM-02820)
 DIFFERENTIAL, assembly (superseded by DIFFERENTIAL, assembly, FM-GPW-4212, WO-A-788)
 DIFFERENTIAL, assembly (SP-16968-X) (includes CASE, GEARS, and PINIONS) (supersedes DIFFERENTIAL, assembly, FM-GPW-4207)
 GASKET, differential drive pinion shaft oil seal (SP-S-171) (also in GASKET SET, FM-GPW-18365-B, WO-A-7830)
 GEAR, differential, side (2.758 O.D. x 1 3/8 in. wide, 16 teeth) (SP-16385) (also in KIT, FM-GPW-18389, WO-A-6816)
 GEAR, drive, differential, w/PINION (SP-16412-X) (matched set) (also in KIT, FM-GPW-18384, WO-A-6816)
 KIT, repair, differential case gears... 926644
 (Consists of:
 2 GEAR, side
 2 PINION, differential
 1 SHAFT, pinion
 2 WASHER, thrust, pinion
 2 WASHER, thrust, side gear)
 KIT, repair, differential drive gear and pinion... 801975
 (Consists of:
 1 NUT, hex., slotted, S., 3/4-16NF-3
 8 SCREW, drive gear
 1 GEAR, drive, w/PINION
 4 STRAP, lock)
 OIL SEAL, differential drive pinion bearing (superseded by OIL SEAL, FM-GP-4676-A, WO-639265)
 OIL SEAL, differential drive pinion bearing (leather) (SP-14223) (supersedes OIL SEAL, FM-GP-4676)
 PIN, lock, differential pinion shaft (SP-13449)
 PINION, differential (1.140 O.D., 10 teeth) (SP-15926) (also in KIT, FM-GPW-18389, WO-A-6816)
 SCREW, differential driven gear (SP-6-73-414) (also in KIT, FM-GPW-18384, WO-A-6816)
 SHAFT, differential pinion (SP-16075) (also in KIT, FM-GPW-18389, WO-A-6816)
 SHIELD, dust, universal joint end yoke, differential drive pinion shaft (SP-15099)
 SHIM, adjusting, differential case bearing (0.003 thk.) (SP-S-58) (also in SHIM SET, FM-GPW-18388, WO-A-6744)
 SHIM, adjusting, differential case bearing (0.005 thk.) (SP-S-59) (also in SHIM SET, FM-GPW-18388, WO-A-6744)
 SHIM, adjusting, differential case bearing (0.010 thk.) (SP-S-74) (also in SHIM SET, FM-GPW-18388, WO-A-6744)
 SHIM, adjusting, differential case bearing (0.030 thk.) (SP-S-75) (also in SHIM SET, FM-GPW-18388, WO-A-6744)

CRUX LEWIS MOTORS
 BOULDER, WYOMING

GROUP 11—REAR AXLE (Cont'd)

Figure Number	Official Stock Number	Piece Mark or Part Number		ITEM	Quant. Req'd. per Unit Assy.	Unit Price
		Ford No.	Willys No.			
Col. 1	Col. 2	Col. 3	Col. 4	Col. 5	Col. 6	Col. 7
		FM-GP-4229-E FM-GP-4660-A	WO-A-800	1104—DIFFERENTIAL CASE, GEARS, PINION AND BEARINGS (Cont'd) (Items in this group are the same for front and rear axles) SHIM, adjusting, differential case bearing (0.015 thk.) SHIM, adjusting, differential drive pinion, large (0.003 thk.) (SP-S-112) (also in SHIM SET, FM-GPW-18386, WO-A-6745) SHIM, adjusting, differential drive pinion, large (0.005 thk.) (SP-S-113) (also in SHIM SET, FM-GPW-18386, WO-A-6745) SHIM, adjusting, differential drive pinion, large (0.010 thk.) (SP-S-114) (also in SHIM SET, FM-GPW-18386, WO-A-6745) SHIM, adjusting, differential drive pinion bearing, small (0.003 thk.) (SP-S-638) (also in SHIM SET, FM-GPW-18386, WO-A-6745) SHIM, adjusting, differential drive pinion bearing, small (0.005 thk.) (SP-S-683-1) (also in SHIM SET, FM-GPW-18386, WO-A-6745) SHIM, adjusting, differential drive pinion bearing, small (0.010 thk.) (SP-S-638-2) (also in SHIM SET, FM-GPW-18386, WO-A-6745) SHIM SET, adjusting, differential case bearing (Consists of: 2 SHIM, 0.003 thk. 2 SHIM, 0.005 thk. 3 SHIM, 0.010 thk. 3 SHIM, 0.030 thk.) SHIM SET, adjusting, differential drive pinion bearing (Consists of: 4 SHIM, large, 0.003 thk. 4 SHIM, large, 0.005 thk. 4 SHIM, large, 0.010 thk. 4 SHIM, small, 0.003 thk. 4 SHIM, small, 0.005 thk. 4 SHIM, small, 0.010 thk. 4 SHIM, small, 0.030 thk.) SLINGER, oil, differential drive pinion bearing (SP-13575) SPACER, differential drive pinion bearing (SP-15367) STRAP, lock, differential drive gear screw (also in KIT, FM-GPW-18384, WO-A-6816)	as req.	
	8080-S-112	FM-GP-4660-B	WO-A-801		as req.	
	8080-S-113	FM-GP-4660-C	WO-A-802		as req.	
	8080-S-114	FM-GP-4659-A	WO-A-803		as req.	
	8080-S-638	FM-GP-4659-B	WO-A-804		as req.	
	8080-S-638-1	FM-GP-4659-C	WO-A-805		as req.	
	8080-S-638-2	FM-GP-4659-D	WO-A-806		as req.	
	8080-S-638-3	FM-GPW-18388	WO-A-6744		as req.	.148
11-1	3320-GPW-18386	FM-GPW-4229-A FM-GP-4229-B FM-GP-4229-O FM-GP-4229-D FM-GPW-18386	WO-A-784 WO-A-785 WO-A-786 WO-A-787 WO-A-6745		1	.358
11-1		FM-GP-4660-A FM-GP-4660-B FM-GP-4660-C FM-GP-4659-A FM-GP-4659-B FM-GP-4659-C FM-GP-4659-D	WO-A-800 WO-A-801 WO-A-802 WO-A-803 WO-A-804 WO-A-805 WO-A-806		1	.0191
11-1	8080-13575	FM-GP-4619	WO-636566		1	.212
11-1	8080-15367	FM-GP-4668	WO-A-799		1	
11-1		FM-GP-4281	WO-A-792		4	

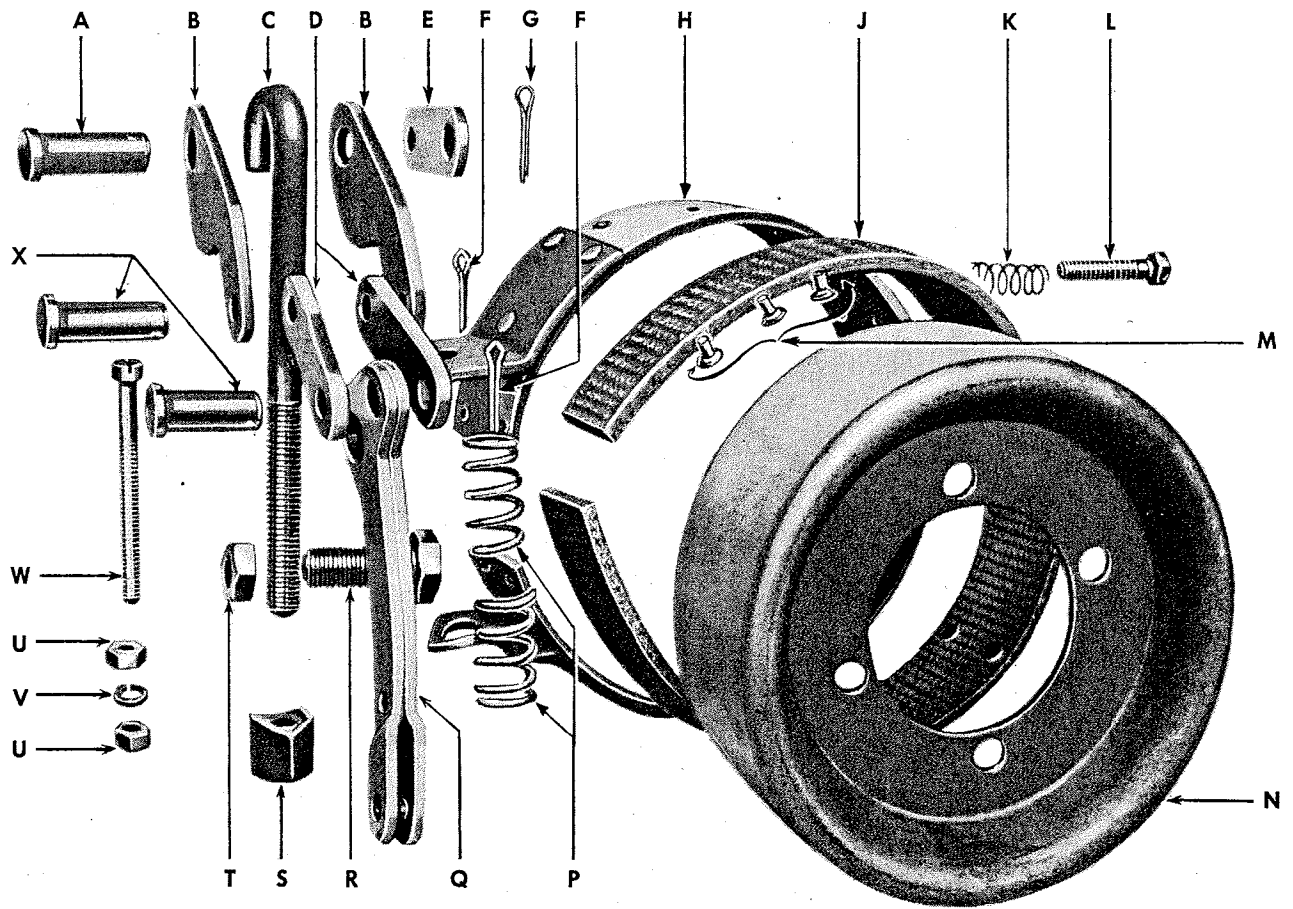
11-1	8080-16323-2	FM-GP-4228	WO-A-795	WASHER, thrust, differential side gear (SP-16323-2) (also in KIT, FM-GPW-18389, WO-A-6816)	2	
11-1	8080-16322-2	FM-GP-4230	WO-A-797	WASHER, thrust, differential pinion (SP-16322-2) (also in KIT, FM-GPW-18389, WO-A-6816)	2	
11-1	8080-K2-4-108-X	FM-GP-4842	WO-A-1445	YOKE, end, universal joint, differential drive pinion shaft, w/SHIELD, assembly (SP-K2-4-108-X)	1	1.645
11-1	H001-4217800	FM-356126-S	WO-636569	NUT, hex, slotted, S, $\frac{3}{4}$ -16NF-3 (SP-S-1135)	1	.0167
11-1	H001-0811304	FM-357202-S	WO-636571	PIN, cotter, split, S, $\frac{7}{8}$ x 1 $\frac{1}{2}$	1	
11-1		FM-356504-S	WO-636570	WASHER, flat, S, ($\frac{3}{4}$ I.D. x 1 $\frac{1}{2}$ O.D. x $\frac{1}{8}$ thk.) (SP-S-1056)	1	.0217
GROUP 12—BRAKE						
1200—BRAKE ASSEMBLY (Note 1)						
10-1	0820-47047	FM-GPW-2011	WO-A-1496	BRAKE, front, left, assembly (not pre-adjusted)	1	3.845
	0820-47048	FM-GPW-2010	WO-A-1497	BRAKE, front, left, assembly (BX-47047) (pre-adjusted)	1	
	0820-47050	FM-GPW-2211-B	WO-A-6109	BRAKE, front, right, assembly (not pre-adjusted)	1	3.845
	0820-47051	FM-GPW-2210-B	WO-A-6108	BRAKE, front, right, assembly (BX-47048) (pre-adjusted)	1	
				BRAKE, rear, left, assembly (not pre-adjusted)	1	3.845
				BRAKE, rear, left, assembly, $\frac{3}{4}$ in. (BX-47050) (pre-adjusted)	1	
				BRAKE, rear, right, assembly (not pre-adjusted)	1	3.845
				BRAKE, rear, right, assembly, $\frac{3}{4}$ in. (BX-47051) (pre-adjusted)	1	
1201—HAND BRAKE PARTS (External Contracting Type)						
12-2, 6	8080-5900-X	FM-GP-2648	WO-A-1009	BAND, hand brake, w/LINING, assembly (SP-5900-X)	1	1.482
12-2, 6	H001-4167501	FM-355352-S7	WO-A-1019	BOLT, hex-hd., S, cd-pltd., $\frac{1}{4}$ -20NC-2 x 2 $\frac{1}{4}$ (SP-856-D) (WG-X-2428-A)	1	.0167
12-2, 6	H001-1518007	FM-33795-S7	WO-5790	NUT, reg, hex, S, cd-pltd., $\frac{1}{4}$ -20NC-2	2	
12-2, 6	8080-10-B-18	FM-34805-S2	WO-52706	WASHER, lock, S, SAE Std., $\frac{1}{2}$ in.	1	.0833
12-6	G134-0381800	FM-01T-2642	WO-A-1016	BOLT, adjusting, hand brake (SP-10-B-18)	1	
		FM-01T-2616	WO-A-1016	BOLT, hand brake band anchor clip (superseded by BOLT, FM-GPW-2616, WO-A-1020)	1	.0217
12-2	8080-887-D	FM-GPW-2616	WO-A-1020	BOLT, hand brake band anchor clip (hex-hd., S, $\frac{3}{16}$ -18NC-2 x 1 $\frac{5}{8}$) (SP-887-D) (super-sedes BOLT, FM-01T-2616, WO-A-1016)	1	.0217
12-6	3320-GPW-2848	FM-GPW-2848	WO-639010	BRACKET, hand brake handle tube, w/SPRING and SCREW, assembly	1	.489
		FM-24347-S2	WO-51396	BOLT, hex-hd., S, $\frac{3}{16}$ -24NF-2 x $\frac{3}{4}$	2	
		FM-33798-S7	WO-A-1532	NUT, reg, hex, s-fin., S, cd-pltd., $\frac{5}{16}$ -24NF-2	2	
		FM-34706-S2	WO-5437	WASHER, plain, S, $\frac{5}{16}$ in.	2	
		FM-34806-S7	WO-51833	WASHER, lock, reg, S, cd-pltd., $\frac{5}{16}$ in.	2	
01-2	H001-7025711	FM-GPW-2598	WO-A-1008	BRAKE, hand, assembly (SP-5815-X)	1	2.51
12-6	3320-GPW-2853	FM-GPW-2853	WO-A-1241	CABLE, hand brake handle, w/TUBE, assembly	1	1.303
12-2, 6	8080-5-B-15	FM-GPW-2632	WO-A-1003	CAM, operating, hand brake (SP-5-B-15)	2	.0774
		FM-GPW-2279	WO-638780	CLAMP, hand brake cable tube (at transfer case rear bearing cap)	1	.0627
		FM-24367-S7	WO-50929	BOLT, hex-hd., S, $\frac{3}{16}$ -24NF-2 x $\frac{1}{8}$	1	
		FM-34806-S7	WO-51833	WASHER, lock, reg, S, cd-pltd., $\frac{5}{16}$ in.	1	



Key	Part Name	Ford Part No.	Willlys Part No.	Group No.	Key	Part Name	Ford Part No.	Willlys Part No.	Group No.
A	SHOE, assembly . . .	FM-GP-2019 . . .	WO-116550 . . .	1202	H	SHOE, assembly . . .	FM-GP-2018 . . .	WO-116549 . . .	1202
B	PIN . . .	FM-91A-2027 . . .	WO-637899 . . .	1203	J	LINING . . .	FM-GP-2021 . . .	WO-116551 . . .	1202
C	ECCENTRIC . . .	FM-GP-2038 . . .	WO-A-754 . . .	1203	K	CAM . . .	FM-GP-2028 . . .	WO-637900 . . .	1203
D	WASHER . . .	FM-34807-S2 . . .	WO-5010 . . .	1203	L	WASHER . . .	FM-351466-S24 . . .	WO-637923 . . .	1203
E	NUT . . .	FM-33800-S7 . . .	WO-52542 . . .	1203	M	NUT . . .	FM-33846-S2 . . .	WO-5916 . . .	1203
F	SPRING . . .	FM-GP-2035 . . .	WO-637905 . . .	1203	N	PLATE, assembly . . .	FM-GP-2013 . . .	WO-A-8898 . . .	1203
G	PLATE . . .	FM-91A-2030 . . .	WO-637901 . . .	1203	P	LINING . . .	FM-GP-2022 . . .	WO-116552 . . .	1202

RA PD 342286

FIGURE 12-1—BRAKE ASSEMBLY—EXPLODED VIEW



Key	Part Name	Ford Part No.	Willys Part No.	Group No.
A	PIN	FM-73928-S7	WO-A-1004	1201
B	CAM	FM-GPW-2632	WO-A-1003	1201
C	BOLT	FM-01T-2642	WO-A-1016	1201
D	LINK	FM-GPW-2659	WO-A-1228	1201
E	LINK	FM-GPW-2630	WO-A-1005	1201
F	PIN	FM-72034-S	WO-A-1642	1201
G	PIN	FM-72017-S	WO-5020	1201
H	BAND, assembly	FM-GP-2648	WO-A-1009	1201
J	LINING	FM-GP-2620	WO-A-1014	1201
K	SPRING	FM-01T-2640	WO-A-1021	1201
L	BOLT	FM-GPW-2616	WO-A-1020	1201
M	RIVET	FM-64647-S	WO-A-1015	1201
N	DRUM	FM-GP-2614	WO-A-1002	1201
P	SPRING	FM-01T-2634	WO-A-1017	1201
Q	CRANK	FM-GPW-2656	WO-A-1226	1201
R	BOLT	FM-355752-S7	WO-A-1227	1201
S	NUT	FM-01T-2805	WO-A-1018	1201
T	NUT	FM-33927-S7	WO-52925	1201
U	NUT	FM-33795-S7	WO-52217	1201
V	WASHER	FM-34805-S2	WO-52706	1201
W	BOLT	FM-355352-S7	WO-A-1019	1201
X	PIN	FM-73904-S7	WO-311003	1201

RA PD 342258

FIGURE 12-2—HAND BRAKE (EXTERNAL CONTRACTING TYPE)—EXPLODED VIEW

GROUP 12—BRAKE (Cont'd)

Figure Number	Official Stock Number	Piece Mark or Part Number		ITEM	Quant. Reqd. per Unit Assy.	Unit Price
		Ford No.	Willlys No.			
Col. 1	Col. 2	Col. 3	Col. 4	Col. 5	Col. 6	Col. 7
1201—HAND BRAKE PARTS (External Contracting Type) (Cont'd)						
		FM-GPW-2272	WO-A-1735	CLAMP, hand brake cable tube (at air cleaner bracket)	1	.0291
		FM-24367-S2	WO-50929	BOLT, hex-hd., S, 5/16-24NF-2 x 7/8	1	
		FM-33798-S7	WO-A-1532	NUT, reg, hex, S, cd-pltd., 5/16-24NF-2	1	
	H001-7025711	FM-34806-S7	WO-51833	WASHER, lock, reg, S, cd-pltd., 5/16 in.	1	
		FM-34746-S7	WO-A-1533	WASHER, plain, S, cd-pltd., 5/16 in.	1	.0207
		FM-GPW-2270-B	WO-A-5393	CLIP, hand brake cable tube (at flywheel housing)	1	
		FM-20308-S	WO-51763	BOLT, hex-hd., S, 1/4-20NC-2 x 1/2	1	
		FM-34805-S2	WO-52706	WASHER, lock, reg, S, 1/4 in.	1	
			WO-A-1795	CLIP, support, hand brake cable tube (tube to rear engine insulator)	1	
12-2, 6	8080-S-B-16	FM-GPW-2656	WO-A-1226	CRANK, hand brake cable, assembly (SP-5-B-16)	1	.261
12-2		FM-355752-S7	WO-A-1227	BOLT, hex-hd., S, 7/16-20NF-2 x 1 1/4	1	.0833
12-2		FM-33927-S7	WO-52925	NUT, thin, hex, S, cd-pltd., 7/16-20NF-2	1	
08-2,						
12-2, 6	8080-20-B-62	FM-GP-2614	WO-A-1002	DRUM, hand brake (SP-20-B-62)	1	1.01
	H001-5421280	FM-355551-S	WO-A-997	BOLT, hex-hd., S, 5/8-20NF-3 x 1 1/8 (SP-6-73-218)	4	
		FM-33786-S2*	WO-636575	NUT, reg, hex, S, 5/8-20NF-3	4	
12-6		FM-34807-S2	WO-5010	WASHER, lock, S, SAE std., 3/8 in.	4	.16
		FM-GPW-2782	WO-639244	HANDLE, hand brake	1	
		FM-92047-S	WO-51904	SCREW, machine, rd-hd., br-pltd., type "U", No. 6 (0.138) x 5/16	2	
		FM-GPW-2780	WO-A-1242	HANDLE, hand brake, w/CABLE and TUBE, assembly	1	1.873
12-6, 18-2	3320-GPW-2780	FM-20324-S2	WO-52168	BOLT, hex-hd., S, 1/4-20NC-2 x 5/8 (GM-121668) (to dash panel)	2	
	H001-0121668	FM-33795-S7	WO-5790	NUT, reg, S, cd-pltd., 1/4-20NC-2	2	
	H001-4167501	FM-357553-S18	WO-392468	PIN, clevis, S, 1/4 x 3/4 (hand brake cable to crank)	1	.0167
12-6		FM-72008-S	WO-5433	PIN, cotter, split, S, 1/16 x 5/8	1	
	H001-0811026	FM-34805-S2	WO-52706	WASHER, lock, S, SAE std., 1/4 in.	2	
	H001-1518007	FM-GP-2620	WO-A-1014	LINING, hand brake (SP-4-B-26) (also in LINING SET, FM-GPW-18377, WO-A-6759)	1	
12-2	8080-4-B-26	FM-64647-S	WO-A-1015	RIVET, tubular, ck-hd., br., 5/8 x 5/16 (SP-238-R) (also in LINING SET, FM-GPW-18377, WO-A-6759)	14	
12-2		FM-GPW-18377	WO-A-6759	LINING SET, hand brake	1	.717
				(Consists of:		
				1 LINING		
				15 RIVET)		
12-2, 6	3320-GPW-2659	FM-GP-2620	WO-A-1014	LINK, hand brake cable crank	2	.049
12-2, 6	8080-3-Q-74	FM-64647-S	WO-A-1015	LINK, hand brake cam to transfer case (SP-3-Q-74)	1	.0419
12-6		FM-GPW-2659	WO-A-1228			
		FM-GPW-2630	WO-A-1005			
12-2		FM-73889-S7	WO-A-1006	PIN, clevis, S, 3/8 x 7/8 (SP-153-SP)	1	.0125
12-2		FM-72017-S	WO-5020	PIN, cotter, split, S, 1/8 x 3/4	1	

12-2, 6	FM-OIT-2805	WO-A-1018	NUT, adjusting, hand brake band (SP-373-J)	1	.0641
12-2, 6	FM-73904-S7	WO-311003	PIN, clevis, S, 5/16 x 1 (hand brake cable crank to link and link to cam) (SP-3-Q-76)	2	
12-2	FM-72034-S	WO-A-1642	PIN, cotter, split, S, 3/8 x 1	2	
12-2, 6	FM-73928-S7	WO-A-1004	PIN, clevis, S, 1/2 x 1 1/8 (SP-232-SP) (hand brake cam to link on transfer case)	1	.0125
12-2, 6	FM-OIT-2640	WO-A-1021	SPRING, hand brake band anchor clip bolt (SP-14-B-6)	1	.016
12-6	FM-GPW-2793	WO-635681	SPRING, hand brake handle ratchet	2	.0464
12-2, 6	FM-OIT-2634	WO-A-1017	SPRING, releasing, hand brake band (SP-12-B-5)	1	.163
12-6	FM-GPW-2635	WO-A-5335	SPRING, retracting, hand brake cam	1	
	FM-GPW-2852	WO-A-2892	SUPPORT, hand brake ratchet tube bracket	1	
	FM-63071-S	WO-52207	RIVET, rd-hd, S, 1/4 x 5/16	2	
1201-1—HAND BRAKE PARTS (Internal Expanding Type)					
	FM-GPW-2606	WO-A-10330	BRACKET, hand brake adjusting screw (BX-46667) (SP-18B-41)	1	.489
	FM-GPW-2848	WO-639010	BRACKET, hand brake ratchet tube, w/GUIDE and SPRING, assembly	1	
	FM-24347-S2	WO-51396	BOLT, hex-hd, S, 5/16-24NF-2 x 3/4 (GM-100013)	2	
	FM-33798-S2	WO-5910	NUT, hex, S, 5/16-24NF-2	2	
	FM-34806-S2	WO-51833	WASHER, lock, reg, S, 5/16 in.	2	
	FM-34706-S2	WO-5437	WASHER, plain, S, 5/16 in.	2	
	FM-GPW-2598-B	WO-A-9333	BRAKE, hand, internal expanding type, assembly (BX-47660)	1	
	FM-GPW-2660	WO-A-17253	BUSHING, hand brake operating lever (SP-18-24-4)	1	
	FM-GPW-2272	WO-A-1735	CLAMP, hand brake conduit (to air cleaner brkt.)	1	.0291
	FM-GPW-2270	WO-A-8847	CLAMP, hand brake conduit (conduit to cross member)	1	
	FM-20367-S2	WO-50929	BOLT, hex-hd, S, 5/16-24NF-2 x 1/8 (clamp to air cleaner brkt.) (GM-106280)	1	.0040
	FM-24427-S7	WO-6609	BOLT, hex-hd, S, 5/16-24NF-2 x 1 1/4 (clamp to cross member)	2	
	FM-33798-S2	WO-5910	NUT, hex, S, 5/16-24NF-2 (GM-103025)	2	
	FM-34806-S7	WO-51833	WASHER, lock, reg, S, 5/16 in.	2	
	FM-34746-S7	WO-A-1533	WASHER, S, special, 5/16 in.	1	
	FM-97012-S	WO-6599	CLEVIS, adjustable, 5/16 in. (hand brake)	1	
	FM-33798-S2	WO-5910	NUT, hex, S, 5/16-24NF-2 (clevis lock)	1	
	FM-GPW-2270-B	WO-A-5393	CLIP, hand brake cable conduit to flywheel housing (closed type S, 5/16 in., bolt hold, 5/8 in.)	1	.0207
	FM-24308-S	WO-51763	BOLT, hex-hd, S, 1/4-20NC-2 x 1/2 (GM-106972)	1	
	FM-34805-S2	WO-52706	WASHER, lock, S, 1/4 in.	1	
12-3	FM-GPW-2614	WO-A-9332	DRUM, hand brake (SP-20-B-73)	1	
12-3	FM-35031-S	WO-A-6084	BOLT, hex-hd, S, 3/8-24NF-2 x 1 3/8 (SP-6-73-122)	4	
	FM-33786-S2	WO-636575	NUT, hex, S, 3/8-24NF-2 (SP-6-74-11)	4	
	FM-34807-S	WO-5010	WASHER, lock, reg, S, 3/8 in. (SP-1-W)	4	
12-3	FM-GPW-2853-B	WO-A-15149	EXTENSION, hand brake ratchet tube, w/CABLE and CONDUIT, assembly	1	
	FM-73904-S7	WO-311003	PIN, clevis, 5/16 in. (brake cable to operating lever)	1	
	FM-72004-S	WO-5354	PIN, cotter, split, S, 3/8 x 1/2 (brake cable to operating lever clevis pin)	1	
	FM-GPW-2784	WO-A-10052	GASKET, hand brake backing plate to rear bearing cap (SP-18-223-6)	1	
	FM-GPW-2774	WO-A-15150	HANDLE, hand brake, w/ratchet TUBE, assembly	1	
	FM-GPW-2782	WO-639244	HANDLE, operating, hand brake	1	
12-3	FM-92047-S	WO-51904	SCREW, drive, rd-hd, S, No. 6 (0.138) x 5/16	1	.16
	FM-GPW-2632-B	WO-A-10333	LEVER, cam, hand brake (BX-47670) (SP-6-B-14)	1	

Key	Part Name	Ford Part No.	Willlys Part No.	Group Number
A	EXTENSION	FM-GPW-2853-B	WO-A-15149	1201-1
B	HANDLE, w/TUBE, assembly	FM-GPW-2774	WO-A-15150	1201-1
C	CAP	FM-GPW-7768-B	WO-A-9330	0801
D	GEAR	FM-GPW-1727-1	WO-A-1512	0810
E	SLEEVE	FM-GPW-17333	WO-636396	0810
F	SHOE, assembly	FM-GPW-2648	WO-A-10324	1201-1
G	DRUM	FM-GPW-2614	WO-A-9332	1201-1
H	BOLT	FM-350311-S	WO-A-6084	1201-1
J	NUT	FM-356125-S	WO-A-980	0803
K	PIN	FM-72089-S	WO-5134	0803
L	WASHER	FM-356504-S	WO-636570	0803
M	FLANGE	FM-GP-4863	WO-A-1105	0803
N	SPRING	FM-GPW-2634	WO-A-10337	1201-1
P	BOLT	FM-350281-S	WO-A-9337	0801
Q	LEVER	FM-GPW-2653-B	WO-A-9137	1201-1

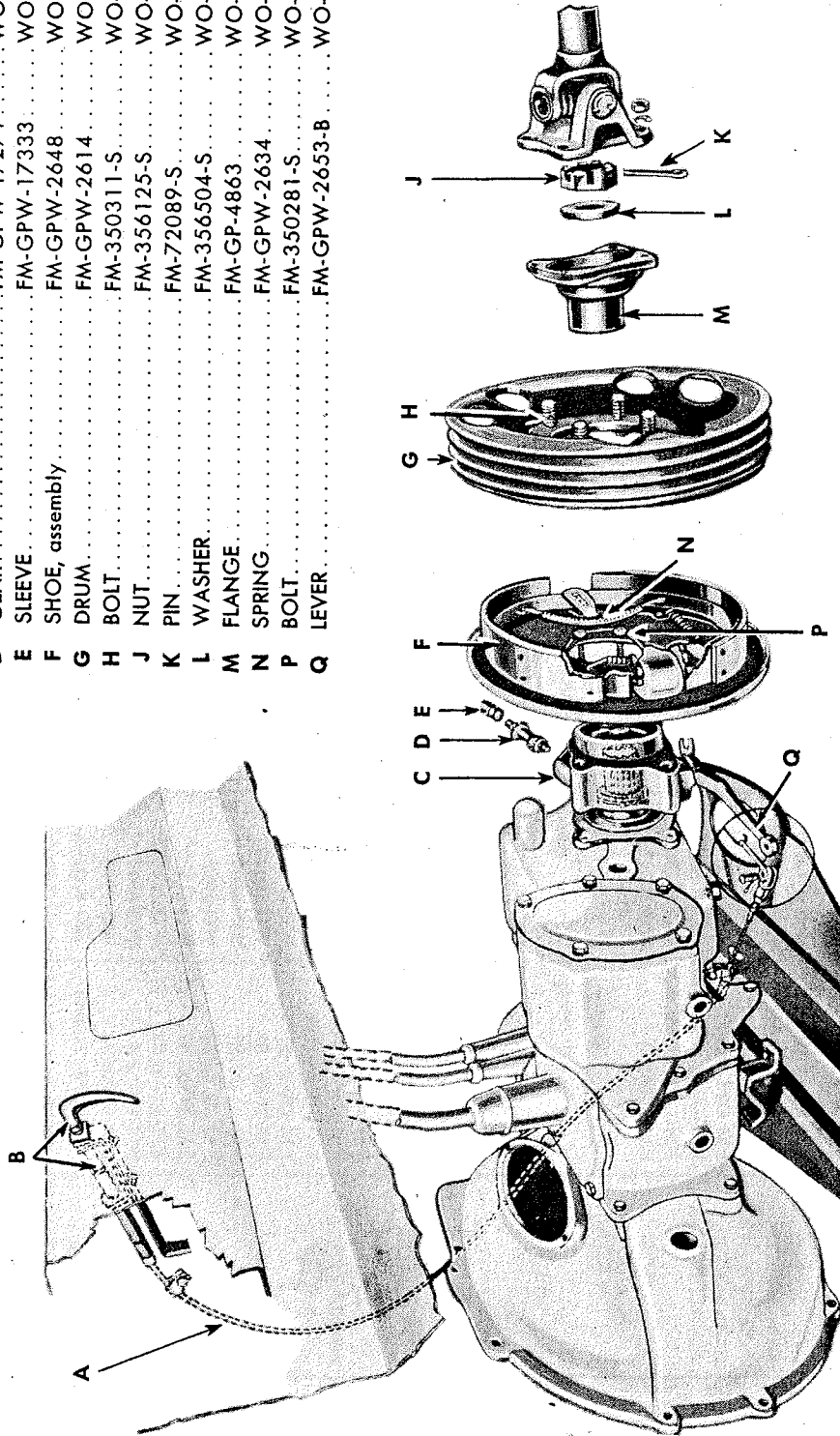
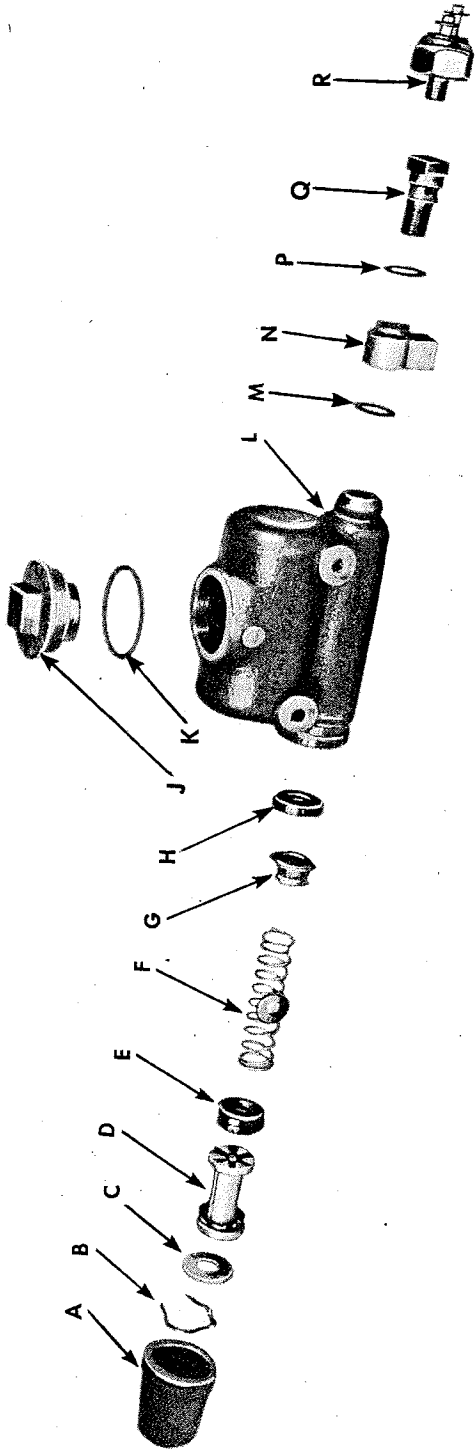


FIGURE 12-3—HAND BRAKE, INTERNAL EXPANDING TYPE



Key	Part Name	Ford Part No.	Willlys Part No.	Group Number
A	BOOT.....	FM-GP-2180-A.....	WO-637602.....	1205
B	WIRE.....	FM-GP-2174.....	WO-637598.....	1205
C	PLATE.....	FM-GP-2188.....	WO-637597.....	1205
D	PISTON.....	FM-GP-2169.....	WO-637591.....	1205
E	CUP.....	FM-GP-2173.....	WO-637590.....	1205
F	SPRING, w/RETAINER, assembly.....	FM-GP-2145.....	WO-637587.....	1205
G	VALVE.....	FM-GP-2175.....	WO-637584.....	1205
H	SEAT.....	FM-GP-2160.....	WO-637583.....	1205
J	CAP.....	FM-GP-2162.....	WO-637608.....	1205
K	GASKET.....	FM-GP-2167.....	WO-637612.....	1205
L	TANK.....	FM-GP-2155.....	WO-637582.....	1205
M	GASKET.....	FM-91A-2152.....	WO-637604.....	1205
N	FITTING.....	FM-GP-2076.....	WO-A-557.....	1205
P	GASKET.....	FM-91A-2151.....	WO-637606.....	1205
Q	BOLT.....	FM-GP-2077.....	WO-637605.....	1205
R	SWITCH.....	FM-11A-13480.....	WO-A-1271.....	0606

FIGURE 12-4—BRAKE MASTER CYLINDER ASSEMBLY—EXPLODED VIEW

GROUP 12—BRAKE (Cont'd)

Figure Number	Official Stock Number	Piece Mark or Part Number		I T E M	Quant. Reqd. per Unit Assy.	Unit Price
		Ford No.	Willys No.			
Col. 1	Col. 2	Col. 3	Col. 4	Col. 5	Col. 6	Col. 7
				1205—MASTER CYLINDER (Cont'd)		
	9240-FC-5380	FM-GP-2169 FM-GP-2160 FM-GP-2175 FM-GP-2174 FM-GPW-18370	WO-637591 WO-637583 WO-637584 WO-637598 WO-115961	KIT, repair, brake master cylinder (Cont'd) 1 PISTON, assembly 1 SEAT, valve 1 VALVE, check, assembly 1 WIRE, lock, piston stop KIT, repair, brake master cylinder (superseded by KIT, FM-GPW-18370-B, WO-A-7838)	1	
	3320-GPW-18370-B	FM-GP-2180 FM-GP-2173 FM-GP-2169 FM-GP-2160 FM-GP-2175 FM-GPW-18370-B	WO-637602 WO-637590 WO-637591 WO-637583 WO-637584 WO-A-7838	(Consists of: 1 BOOT 1 CUP, primary 1 PISTON 1 SEAT, valve 1 VALVE, check) KIT, repair, brake master cylinder (supersedes KIT, WO-A-6836, and KIT, FM-GPW-18370, WO-115961)	1	.782
12-4		FM-GP-2180-A FM-GP-2173 FM-91A-2152 FM-91A-2151 FM-GP-2169 FM-GP-2160 FM-GP-2175 FM-GP-2174 FM-GP-2169	WO-637602 WO-637590 WO-637604 WO-637606 WO-637591 WO-637583 WO-637584 WO-637598 WO-637591	(Consists of: 1 BOOT 1 CUP, primary 1 GASKET, outlet 1 GASKET, outlet bolt 1 PISTON 1 SEAT 1 VALVE 1 WIRE, lock) PISTON, brake master cylinder, assembly (LO-S-FC-6007) (also in KIT, FM-GPW-18370-B, WO-A-7838)		
12-4	9240-FC-2918-A	FM-GP-2188 FM-GP-2176	WO-637597 WO-637585	PLATE, stop, brake master cylinder piston (LO-S-FC-2926) RETAINER, brake master cylinder check valve cup (1 in. diam. cylinder) (LO-S-FC-2918-A)	1 1	.0243 .0344
12-6	9240-FC-3678-A	FM-GP-2143-A FM-GP-2160	WO-637596 WO-637599 WO-637583	RING, brake master cylinder secondary cup (brass 1/16 in. wide) (LO-S-FC-3678-A) ROD, push, brake master cylinder (LO-S-FC-6014)	1 1	.179
12-4	9240-FC-6009	FM-GPW-5118 FM-GP-2145	WO-A-647 WO-637587	SEAT, brake master cylinder check valve (LO-S-FC-6010) (also in KIT, FM-GPW-18370-B, WO-A-7838) SHIELD, brake cylinder, assembly SPRING, return, brake master cylinder piston, w/RETAINER, assembly (LO-S-FC-6009)	1 1 1	.391 .0792

GROUP 12—BRAKE (Cont'd)

Figure Number	Official Stock Number	Piece Mark or Part Number		ITEM	Quant. Req'd. per Unit Assy.	Unit Price
		Ford No.	Willlys No.			
Col. 1	Col. 2	Col. 3	Col. 4	Col. 5	Col. 6	Col. 7
12-4	9240-FD-4564	FM-GP-2155	WO-637582	1205—MASTER CYLINDER (Cont'd) TANK, supply, brake master cylinder (LO-S-FD-4564) VALVE, check, brake master cylinder, assembly (LO-S-FC-2917) (also in KIT, FM-GPW-18370-B, WO-A-7838) WIRE, lock, piston stop, brake master cylinder (LO-S-FC-2927) (also in KIT, FM-GPW-18370-B, WO-A-7838)	1	
12-4	9240-FC-2917	FM-GP-2175	WO-637584		1	
12-4	9240-FC-2927	FM-GP-2174	WO-637598		1	
12-5	G085-2221780	FM-91A-2201	WO-637579		8	
12-5		FM-GP-2201	WO-637544	4		
12-5		FM-GPW-2201	WO-A-6116	4		
10-4, 12-5	G503-0145854	FM-GPW-2061	WO-A-1484	1207—WHEEL CYLINDERS BOOT, rear wheel cylinder (for 3/4 in. cylinder) (LO-FC-8779) (also in KIT, FM-GPW-18368, WO-A-6133) BOOT, wheel cylinder (for 1 in. and 1/8 in. cylinder) (LO-FC-5994) (also in KIT, FM-GPW-18371, WO-115962; and KIT, FM-GPW-18372, WO-115963) CUP, front brake wheel cylinder (1 in. diam.) (LO-S-FC-1499) (also in KIT, FM-GPW-18371, WO-115962) CUP, rear brake wheel cylinder (7/8 in. diam.) (LO-S-FC-3023) (also in KIT, FM-GPW-18372, WO-115963) CUP, rear brake wheel cylinder, (3/4 in. diam.) (LO-FC-4158) (also in KIT, FM-GPW-18368, WO-A-6133) CYLINDER, wheel, front brake, assembly (1 in. diam.) (LO-FD-7379) (BX-45908) CYLINDER, wheel, rear brake (7/8 in. diam.) (LO-FD-4664) CYLINDER, wheel, rear brake (3/4 in. diam.) (LO-FC-8782) CYLINDER, wheel, rear brake; assembly (3/4 in. diam.) (LO-FD-7568-A) (BX-46491) CYLINDER, wheel, rear brake, assembly (1/8 in. diam.) (LO-FD-4665) (BX-41887) BOLT, hex-hd., S, 1/4-20NC-2 x 3/8 (BX-62-S-176) WASHER, lock, S, internal tooth, flat type, 1/4 in. KIT, repair, front brake wheel cylinder (1 in. diam.) (LO-FC-5381) (Consists of: 2 BOOT 2 CUP) KIT, repair, rear brake wheel cylinder (7/8 in. diam.) (Consists of: 2 BOOT 2 CUP) KIT, repair, rear brake wheel cylinder (3/4 in. diam.) (LO-FC-8418) (Consists of: 2 BOOT	4	.847
12-6	G503-0145855	FM-GP-2261	WO-A-6110		2	
12-5, 6		FM-20300-S7	WO-637787		2	
12-5		FM-34905-S2	WO-51738		2	
12-5	9240-FC-5381	FM-GPW-18371	WO-52483		8	.847
		FM-GPW-18371	WO-115962		8	.228
		FM-GP-2206-A2	WO-637546		1	
	9240-FC-5382	FM-91A-2201	WO-637579		1	
		FM-GPW-18372	WO-115963		1	
		FM-GP-2206-A2	WO-637546		1	
		FM-GP-2201	WO-637544		1	
	9240-FC-8418	FM-GPW-18368	WO-A-6133		1	.228
		FM-GPW-2206	WO-A-6117	1		

	9240-FC-5997 9240-FC-5998 9240-FC-8778 9240-FC-5993 9240-FC-5992 9240-FC-6003	FM-GPW-2201 FM-GP-2194 FM-GP-2196 FM-GPW-2196 FM-GP-2208 FM-GP-2205 FM-GP-2204	WO-A-6116 WO-637577 WO-637541 WO-A-6113 WO-637540 WO-637580 WO-637545	2 CUP)		
12-5				PISTON, front brake wheel cylinder, assembly (LO-FC-5997) (1 in. diam.)	4	.123
				PISTON, rear brake wheel cylinder, assembly (LO-S-FC-5998) ($\frac{1}{8}$ in. diam.)	4	.129
12-5, 6				PISTON, rear wheel cylinder, assembly (LO-FC-8778) ($\frac{3}{4}$ in. diam.)	4	.0513
12-5				SCREW, bleeder, brake wheel cylinder (LO-S-FC-5993)	2	.0152
				SPRING, front brake wheel cylinder cup (LO-FC-5992)	2	.0098
				SPRING, rear brake wheel cylinder cup (LO-FC-6003)	2	

Key	Part Name	Ford Part No.	Willys Part No.	Group Number
A	BOOT	FM-GP-2206-A2	WO-637546	1207
B	PISTON	FM-GP-2194	WO-637577	1207
C	WASHER	FM-34905-S2	WO-52483	1207
D	BOLT	FM-20300-S7	WO-51738	1207
E	CYLINDER, assembly	FM-GPW-2061	WO-A-1484	1207
F	CUP	FM-91A-2201	WO-637579	1207
G	SCREW	FM-GP-2208	WO-637540	1207
H	SPRING	FM-GP-2205	WO-637580	1207

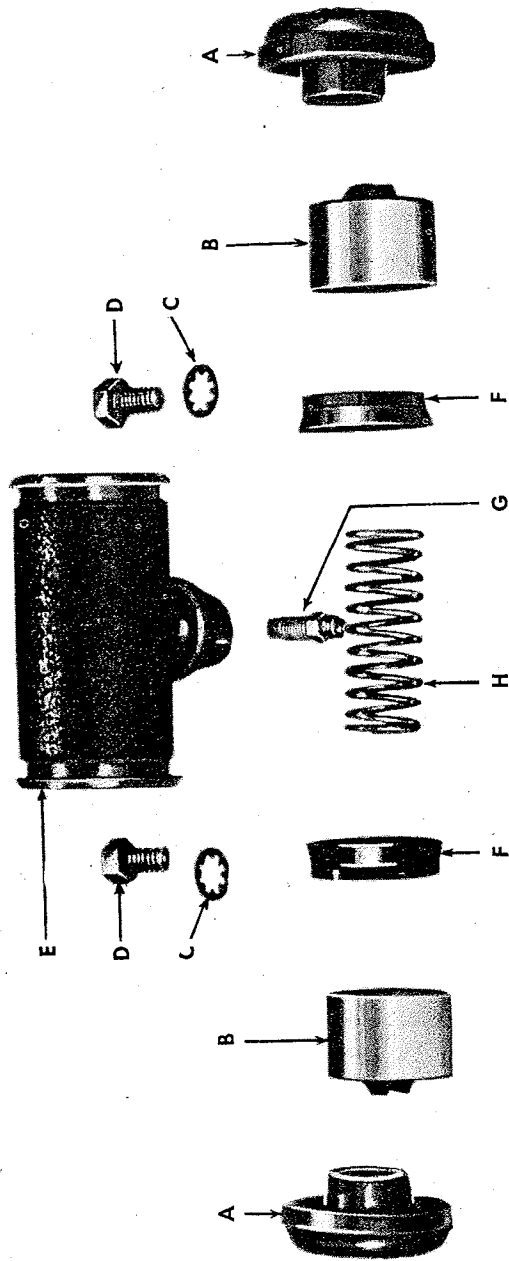


FIGURE 12-5—BRAKE WHEEL CYLINDER ASSEMBLY—EXPLODED VIEW

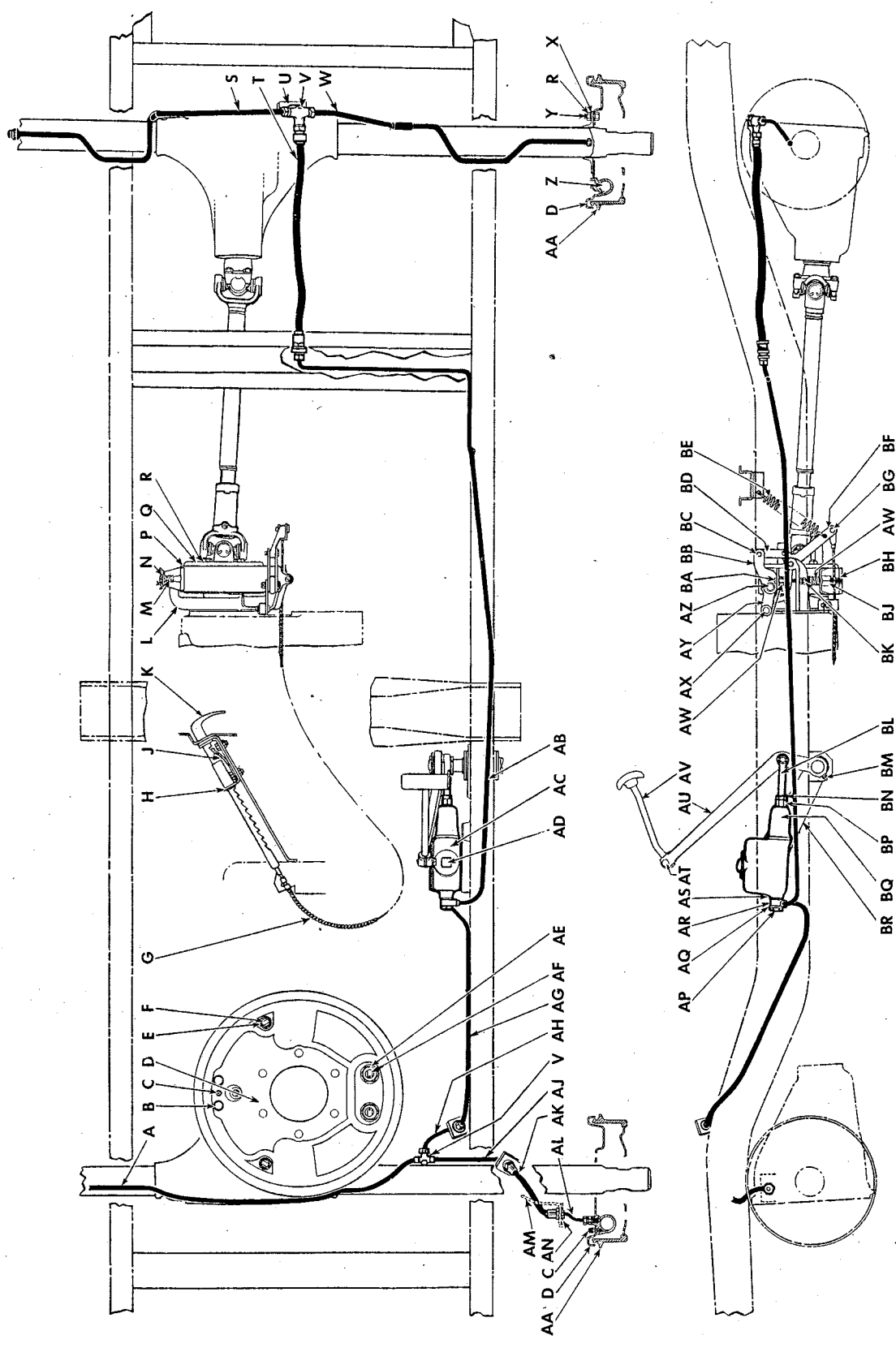


FIGURE 12-6—BRAKE SYSTEM

Key	Part Name	Ford Part No.	Willlys Part No.	Group No.	Key	Part Name	Ford Part No.	Willlys Part No.	Group No.
A	TUBE, assembly	FM-GPW-2266	WO-A-1376	1209C	AJ	TUBE, assembly	FM-GPW-2263	WO-A-1501	1209C
B	BOLT	FM-20300-S7	WO-51738	1207	AK	HOSE	FM-GPW-2079	WO-A-1460	1209B
C	SCREW	FM-GP-2208	WO-637540	1207	AL	TUBE, assembly	FM-GPW-2298	WO-A-1488	1209C
D	PLATE, assembly	FM-GP-2013	WO-A-8898	1203	AM	GUARD	FM-GPW-2096	WO-A-1457	1209B
E	NUT	FM-33800-S7	WO-52542	1203	AN	CLIP	FM-78-2814-A	WO-637427	1209C
F	ECCENTRIC	FM-GP-2038	WO-A-754	1203	AP	BOLT	FM-GP-2077	WO-637605	1205
G	CABLE, w/TUBE, assembly	FM-GPW-2853	WO-A-1241	1201	AQ	GASKET	FM-91A-2151	WO-637606	1205
H	BRACKET, assembly	FM-GPW-2848	WO-639010	1201	AR	FITTING	FM-GP-2076	WO-A-557	1205
J	SPRING	FM-GPW-2793	WO-635681	1201	AS	GASKET	FM-91A-2152	WO-637604	1205
K	HANDLE, w/CABLE, assembly	FM-GPW-2780	WO-A-1242	1201	AT	BOLT	FM-24426	WO-6157	1204
L	CAP	FM-GPW-7768	WO-A-1507	0801	AU	PEDAL, assembly	FM-GPW-2452-B	WO-A-8253	1204
M	SPRING	FM-01T-2640	WO-A-1021	1201	AV	PAD, assembly	FM-GPW-2454	WO-A-1359	1204
N	BOLT	FM-GPW-2616	WO-A-1020	1201	AW	SPRING	FM-01T-2634	WO-A-1017	1201
P	BAND, assembly	FM-GP-2648	WO-A-1009	1201	AX	PIN	FM-73889-S7	WO-A-1006	1201
Q	DRUM	FM-GP-2614	WO-A-1002	1201	AY	LINK	FM-GPW-2630	WO-A-1005	1201
R	NUT	FM-33786-S2	WO-636575	1201	AZ	PIN	FM-73928-S7	WO-A-1004	1201
S	TUBE, assembly	FM-GPW-2267	WO-A-5226	1209C	BA	BOLT	FM-355352-S7	WO-A-1019	1201
T	HOSE	FM-GP-2078	WO-637424	1209B	BB	CAM	FM-GPW-2632	WO-A-1003	1201
U	BRACKET	FM-GPW-2274	WO-A-5227	1209D	BC	PIN	FM-73904-S7	WO-311003	1201
V	TEE	FM-GP-2074	WO-637432	1209C	BD	LINK	FM-GPW-2659	WO-A-1228	1201
W	TUBE, assembly	FM-GPW-2268	WO-A-5225	1209C	BE	SPRING	FM-GPW-2635	WO-A-5335	1201
X	WASHER	FM-34807-S2	WO-5010	1203	BF	CRANK, assembly	FM-GPW-2656	WO-A-1226	1201
Y	BOLT	FM-355578-S	WO-A-903	1203	BG	PIN	FM-357553-S18	WO-392468	1201
Z	CYLINDER, assembly	FM-GPW-2261	WO-A-6110	1207	BH	BOLT	FM-01T-2642	WO-A-1016	1201
AA	DRUM		WO-A-472	1302	BJ	NUT	FM-01T-2805	WO-A-1018	1201
AB	TUBE, assembly	FM-GPW-2265	WO-A-5224	1209C	BK	NUT	FM-33795-S2	WO-52217	1201
AC	CYLINDER, assembly	FM-GP-2140	WO-A-556	1205	BL	BOLT	FM-GPW-2462	WO-A-183	1205
AD	CAP, assembly	FM-GP-2162	WO-637608	1205	BM	FITTING	FM-358006-S8	WO-640038	1204
AE	NUT	FM-33846-S2	WO-5916	1203	BN	NUT	FM-33802-S2	WO-5939	1205
AF	PIN	FM-91A-2027	WO-637899	1203	BP	ROD	FM-GP-2143-A	WO-637599	1205
AG	TUBE, assembly	FM-GPW-2264	WO-A-1377	1209C	BQ	BOOT	FM-GP-2180-A	WO-637602	1205
AH	HOSE	FM-GPW-2078	WO-A-1373	1209B	BR	BAR	FM-GPW-2138	WO-A-1354	1205

FIGURE 12-6A—LEGEND FOR 12-6—BRAKE SYSTEM

GROUP 12—BRAKE (Cont'd)

Figure Number	Official Stock Number	Piece Mark or Part Number		ITEM	Quant. Req'd. per Unit Assy.	Unit Price
		Ford No.	Willlys No.			
Col. 1	Col. 2	Col. 3	Col. 4	Col. 5	Col. 6	Col. 7
				1209B—HOSES		
	9240-FC-7626		WO-A-561	BOLT, fitting, front wheel brake hose, cylinder end (hex-hd., 3/8-24NF-2, special) (LO-FC-7626)	2	
	9240-FC-1511		WO-A-562	GASKET, brake hose fitting bolt (superseded by GASKET, FM-GP-2087, WO-637426)	2	.0057
	9240-FC-5795	FM-GP-2087	WO-637426	GASKET, brake hose fitting (LO-S-FC-5795) (supersedes GASKET, WO-A-562)	2	.31
10-1; 12-6		FM-GPW-2096	WO-A-1457	GUARD, front wheel brake hose, assembly	2	
12-6		FM-GPW-2079	WO-A-1460	HOSE, front brake to axle, assembly (6 in. long) (LO-FC-8553) (superseded by HOSE, WO-A-15802)	2	.212
	G503-02-17821		WO-A-15802	HOSE, front brake to axle, assembly (6 in. long) (synthetic) (supersedes HOSE, FM-GPW-2079, WO-A-1460)	2	
12-6		FM-GPW-2078	WO-A-1373	HOSE, front brake at axle tee, assembly (11 in. long) (LO-FC-8502) (superseded by HOSE, WO-A-15801)	1	.261
	G503-02-17820		WO-A-15801	HOSE, front brake at axle tee, assembly (11 in. long) (synthetic) (supersedes HOSE, FM-GPW-2078, WO-A-1393)	1	
12-6		FM-GP-2078	WO-637424	HOSE, rear brake at axle tee, assembly (15 in. long) (LO-FC-5784) (superseded by HOSE, WO-A-15803)	1	.31
	G503-02-17819		WO-A-15803	HOSE, rear brake at axle tee, assembly (15 in. long) (synthetic) (supersedes HOSE, FM-GP-2078, WO-637424)	1	
				1209C—TUBES AND CLIPS		
				CLAMP, axle brake tube	3	.0125
				NUT, mach. screw, sq., S, No. 10 (0.190)-32NF-2	3	
				SCREW, mach., rd-hd., S, No. 10 (0.190)-32NF-2 x 1	3	.0324
				CLIP, brake tube (closed, S, 5/16 in., 2 1/8 in. bolt hole)	2	.007
				CLIP, brake tube (tube to side rail)	2	
				CLIP, brake tube, 1/4 in. (under rear axle cover bolt)	1	
				CLIP, brake tube (open, S, 5/16 in., 7/8 in. bolt hole) (1 used—brake tube to side rail reinforcement, 1 used—brake tube to frame cross member, 1 used—brake tube to master cylinder)	3	
				BOLT, hex-hd., S, cd-pltd., No. 10 (0.190) x 1/2, type "B" thd. (clip to master cylinder)	1	
				NUT, mach. screw, hex., S, No. 10 (0.190)-24NC-2	2	
				SCREW, mach., rd-hd., S, cd-pltd., No. 10 (0.190)-24NC-2 x 5/8	2	
				WASHER, lock, S, cd-pltd., No. 10 (0.190)	2	
				CLIP, lock, spring, brake hose to frame bracket (LO-FC-3052)	6	.0083
12-6				NUT, inverted flared tube, 5/16 in. (brake tube)	14	.0104

12-6	9240-FC-5778	FM-GP-2074	WO-637432	TEE, brake tube axle (LO-S-FC-5778)	2	.0652
	G085-2307348	FM-20384-S2	WO-6188	BOLT, hex-hd., S, 1/4-20NC-2 x 1/2	2	
	H001-1518007	FM-33795-S2	WO-52217	NUT, reg, hex., s-fin., S, 1/4-20NC-2	1	
12-6	3320-GPW-2263	FM-GPW-2263	WO-52706	WASHER, lock, reg., S, 1/4 in.	2	.0961
12-6	3320-GPW-2266	FM-GPW-2266	WO-A-1501	TUBE, brake axle tee to front left brake hose, assembly (3/16 in. x 6.5 in. lgh.)	1	.244
12-6	3320-GPW-2268	FM-GPW-2268	WO-A-1376	TUBE, brake axle tee to right front brake hose, assembly (3/16 in. x 33.12 in. lgh.)	1	.179
			WO-A-5225	TUBE, brake axle tee to left rear brake wheel cylinder, assembly (3/16 in. x 27.38 in. lgh.)	1	
			WO-A-630	TUBE, brake axle tee to left rear brake wheel cylinder (3/16 in. x 13 25/32 in. lgh.) (before Willys serial No. 106763)	1	
12-6	3320-GPW-2267	FM-GPW-2267	WO-A-5226	TUBE, brake axle tee to right rear brake wheel cylinder, assembly (3/16 in. x 28.81 in. lgh.)	1	.179
			WO-A-631	TUBE, brake axle tee to right rear wheel cylinder brake (3/16 in. x 30 3/32 in. lgh.) (before Willys serial No. 106763)	1	
12-6	3320-GPW-2298	FM-GPW-2298	WO-A-1488	TUBE, brake front wheel cylinder to axle hose, assembly (3/16 in. x 5.72 in. lgh.)	2	.114
12-6	3320-GPW-2264	FM-GPW-2264	WO-A-1377	TUBE, brake master cylinder to front hose, assembly (3/16 in. x 21.81 in. lgh.)	1	.163
12-6	3320-GPW-2265	FM-GPW-2265	WO-A-5224	TUBE, brake master cylinder to rear hose, assembly (3/16 in. x 62.94 in. lgh.)	1	.342
			WO-A-683	TUBE, brake master cylinder to rear hose (3/16 in. x 38 11/16 in. lgh.) (before Willys serial No. 106763)	1	
12-6		FM-GPW-2274	WO-A-5227	BRACKET, brake axle tee	1	.112
		FM-20366-S	WO-6428	BOLT, hex-hd., S, 3/16-18NC-2 x 7/8	2	
		FM-GPW-2082	WO-A-1487	BRACKET, front brake hose, right	1	.127
		FM-GPW-2084	WO-A-1486	BRACKET, front brake hose, left	1	.127
1209D—BRACKETS AND SPRINGS						
		FM-GPW-1029	WO-A-5470	BOLT, wheel divided rim (S, 1/2-20NF-2 x 1 1/2) (KHW-25695)	40	.0383
	G503-0124253	FM-GPW-1030	WO-A-5471	NUT, wheel divided rim bolt (hex., S, 1/2-20NF-2) (KHW-2277)	40	.0226
	G503-0314840	FM-GPW-1045	WO-A-5472	PLATE, instruction, combat wheels (KHW-25696)	5	
	5200-25693	FM-GPW-1016	WO-A-5468	RIM, wheel, inner half (KHW-25693)	5	1.662
	3320-GPW-1027	FM-GPW-1027	WO-A-5469	RIM, wheel, outer half (superseded by RIM, FM-GPW-1024, WO-A-5549)	5	1.71
	5200-25917	FM-GPW-1024	WO-A-5549	RIM, wheel, outer half (KHW-25917) (supersedes RIM, FM-GPW-1027, WO-A-5469)	5	
	5200-24562	FM-GP-1015	WO-A-465	RIM, wheel, w/DISK, assembly (16 x 4:00) (KHW-24562)	5	
	A44-0200545	FM-GPW-1025-C	WO-A-1799	RIM, wheel, w/DISK, assembly (16 x 4:50)	5	.994
		FM-GPW-1015	WO-A-5488	RING, lock, wheel bead (6:00 x 16 tires on combat wheels) (KHW-25930)	5	
			WO-A-5467	WHEEL, assembly (16 x 4:50) (KHW-25692)	5	
1301—WHEEL ASSEMBLY						
		FM-GP-1201	WO-52942	CONE and ROLLERS, wheel bearing, 1.625 bore x 1 1/16 wide (TIM-18590)	8	.538
10-4, 5;	H012-6141280	FM-GP-1202	WO-52943	(BOW-BT-18590)	8	.277
11-1		FM-GP-4252	WO-A-866	CUP, wheel bearing (2.875 O.D. x 2 1/2 wide) (TIM-18520) (BOW-BT-18520)	8	.094
10-5; 11-1	H012-6219420	FM-GP-1124	WO-A-867	NUT, wheel bearing (hex., S, 1 1/2-16) (SP-17016)	4	.0455
10-5; 11-1	8080-17016	FM-GP-1218	WO-A-865	WASHER, lock, wheel bearing nut (S, 1 3/8 in.)	4	.0174
10-5; 11-1	8080-17015			WASHER, wheel bearing (S.) (SP-17015)	4	

GROUP 13—WHEELS, HUBS AND DRUMS

1301—WHEEL ASSEMBLY

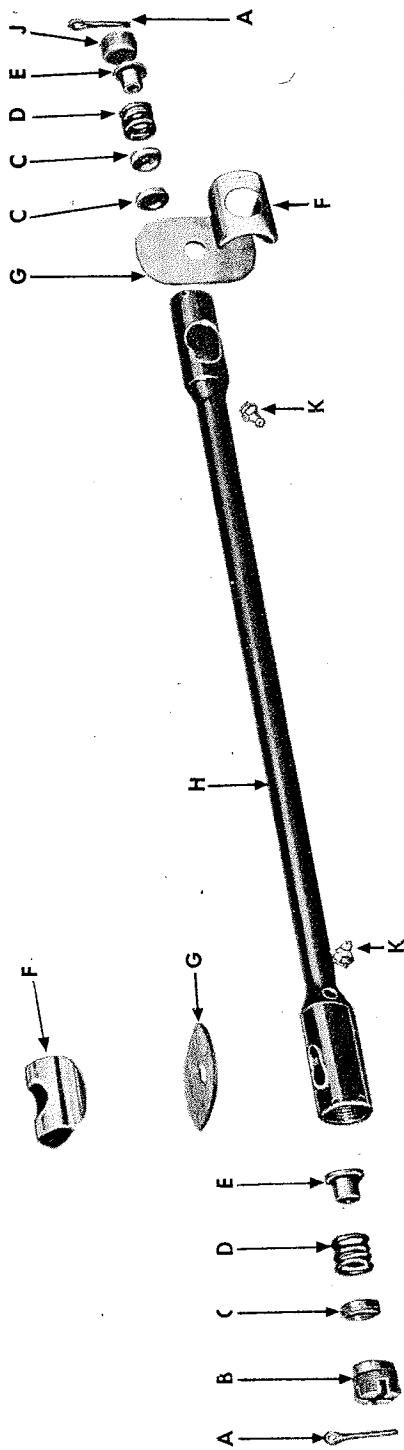
1301A—BEARINGS

GROUP 13—WHEELS, HUBS AND DRUMS (Cont'd)

Figure Number	Official Stock Number	Piece Mark or Part Number		ITEM	Quant. Req'd. per Unit Assy.	Unit Price
		Ford No.	Willlys No.			
Col. 1	Col. 2	Col. 3	Col. 4	Col. 5	Col. 6	Col. 7
10-5; 11-1	H013-0500128	FM-GP-1177	WO-A-864	1301B—SEALS OIL SEAL, wheel bearing (SP-17004)	4	.142
10-3, 4	8080-17071	FM-GP-1139	WO-A-869	1302—HUBS AND DRUMS CAP, wheel hub (SP-17071) DRUM, front and rear wheel brakes (KHW-24566) HUB, front and rear wheel, w/BEARING, assembly (KHW-24659) HUB, front and rear left wheel, w/DRUM, assembly (KHW-25647) HUB, front and rear right wheel, w/DRUM, assembly (KHW-25646)	2	.228
12-6	9680-A-472	WO-A-472	WO-A-472		4	
10-4	5200-25647	FM-GP-1103	WO-A-1691		4	
10-4; 11-1	5200-25646	FM-GP-1102	WO-A-1689 WO-A-1690		2 2	4.61 4.61
11-1	5200-24566	FM-GP-1108	WO-A-473	1302A—STUDS AND BOLTS BOLT, wheel hub (S, L.H. thd., 1/2-20NF-2 x 1 1/8) (KHW-24566) BOLT, wheel hub (S, R.H. thd., 1/2-20NF-2 x 1 1/8) (KHW-24568) NUT, wheel hub bolt (hex, S, 1/2-20NF-2 L.H. thd.) (KHW-24576) NUT, wheel hub bolt (hex, S, 1/2-20NF-2 R.H. thd.) (KHW-24575)	10	.0301
10-3, 4	G503-0314838	FM-GP-1013	WO-A-474		10	.0303
10-4; 11-1	G503-0314839	FM-GP-1012	WO-A-475		10	.0241
			WO-A-476		10	.0241
GROUP 14—STEERING						
1401—STEERING CONNECTING ROD (DRAG LINK) AND BELL CRANK						
14-1	H012-07-09455 G503-7086585	FM-GPW-3171 FM-GPW-3332-A	WO-A-857 WO-A-622	BEARING, steering bell crank (SP-17212) (TR-B-1210) COVER, dust, steering connecting rod (rubber) (CA-S-X-1109) (also in KIT, FM-GPW-18383, WO-A-6791)	2 2	.179
10-1, 3	3320-GPW-3131 8080-17307	FM-GPW-3131 FM-GPW-3131-B	WO-A-1211 WO-A-8249	CRANK, bell, steering drag link (superseded by CRANK, FM-GPW-3131-B, WO-A-8249) CRANK, bell, steering drag link (SP-17307) (supersedes CRANK, FM-GPW-3131, WO-A-1211)	1 1	2.25
14-1	3320-GPW-18383	FM-358006-S8 FM-GPW-18383	WO-A-5691 WO-640038 WO-A-6791	CRANK, bell, steering drag link (Note 1) FITTING, lubricating, hydraulic type, straight, ball seal, 1/8-27NPT (AD-1980) KIT, repair, steering connecting rod (Consists of: 2 COVER 1 PLUG, adjusting, large	1 1 3 1	.472

14-1	8080-17211 3320-GPW-3323	FM-GPW-3328 FM-GPW-3326 FM-GPW-3320 FM-GPW-3336 FM-GPW-3327 FM-GPW-3166 FM-GPW-3323	WO-630757 WO-630753 WO-630755 WO-A-623 WO-630754 WO-A-856 WO-630756	1 PLUG, adjusting, small 2 PLUG, ball seat 3 SEAT, ball 2 SHIELD 2 SPRING	1	.0367
14-1	H001-0811055 G503-7036586	FM-72089-S FM-GPW-3328	WO-5134 WO-630757	PIN, steering bell crank shaft (S., tapered, $\frac{3}{8} \times 1\frac{1}{2}$) (SP-17211) PLUG, adjusting, steering connecting rod ball seat (slotted, large) (CA-S-5070) (also in KIT, FM-GPW-18383, WO-A-6791) PIN, cotter, split, S., $\frac{1}{8} \times 1\frac{3}{4}$ PLUG, adjusting, steering connecting rod ball seat (slotted, small) (CA-S-5143) (also available as part of KIT, FM-GPW-18383, WO-A-6791)	1 1 1	
14-1	H001-0811055	FM-72089-S	WO-5134	PIN, cotter, split, S., $\frac{1}{8} \times 1\frac{3}{4}$	1	

Note 1—Only for vehicles modified by MWO ORD G503-W8.



Key	Part Name	Ford Part No.	Willlys Part No.	Group Number
A	PIN	FM-72089-S	WO-5134	1401
B	PLUG	FM-GPW-3323	WO-630756	1401
C	SEAT	FM-GPW-3320	WO-630755	1401
D	SPRING	FM-GPW-3327	WO-630754	1401
E	PLUG	FM-GPW-3326	WO-630753	1401
F	SHIELD	FM-GPW-3336	WO-A-623	1401
G	COVER	FM-GPW-3332-A	WO-A-622	1401
H	ROD, assembly	FM-GPW-3304-B	WO-A-8250	1401
J	PLUG	FM-GPW-3328	WO-630757	1401
K	FITTING	FM-358006-S8	WO-640038	1401

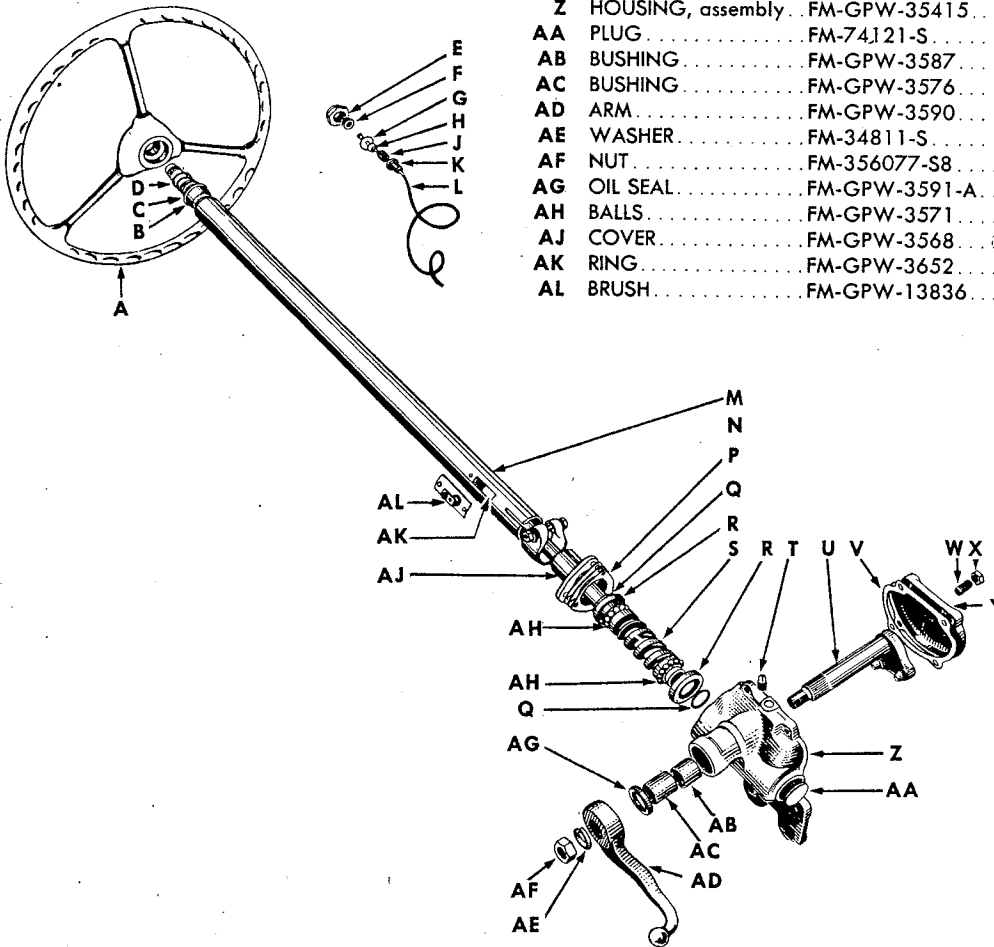
FIGURE 14-1—STEERING CONNECTING ROD—EXPLODED VIEW

GROUP 14—STEERING

Figure Number	Official Stock Number	Piece Mark or Part Number		ITEM	Quant. Req'd. per Unit Assy.	Unit Price
		Ford No.	Willys No.			
Col. 1	Col. 2	Col. 3	Col. 4	Col. 5	Col. 6	Col. 7
14-1	G503-7036588	FM-GPW-3326	WO-630753	1401—STEERING CONNECTING ROD (DRAG LINK) AND BELL CRANK (Cont'd)	2	
		FM-GPW-3305-B	WO-A-8252	PLUG, steering connecting rod ball seat spring (CA-S-5144) (also in KIT, FM-GPW-18393, WO-A-6791)	1	
	9680-A-621	FM-GPW-3305	WO-A-621	ROD, connecting, steering (CA-D-822)	1	
	G503-0373279	FM-GPW-3304	WO-A-619	ROD, connecting, steering		
14-1	3320-GPW-3304-B	FM-GPW-3304-B	WO-A-8250	ROD, connecting, steering, assembly (superseded by ROD, assembly, FM-GPW-3304-B, WO-A-619)	1	1.19
		FM-GPW-3167	WO-A-858	SEAL, steering bell crank shaft bearing (SP-17213) (also in GASKET SET, FM-GPW-18365-B, WO-A-7830)	1	
14-1	G503-7036567	FM-GPW-3320	WO-630755	SEAT, ball, steering connecting rod (CA-S-5069) (also in KIT, FM-GPW-18383, WO-A-6791)	2	.0057
		FM-GPW-3165	WO-A-855	SHAFT, steering bell crank	3	
	8080-17210	FM-356124-S	WO-A-876	NUT, slotted, hex., S, $\frac{3}{4}$ -20NF-2 (SP-S-1106)	1	1.124
10-1	H001-0811055	FM-72089-S	WO-5134	PIN, cotter, split, S, $\frac{1}{8}$ x $1\frac{1}{4}$	1	.0342
	8080-17205	FM-GPW-3170	WO-A-861	SHIELD, dust, steering bell crank bearing (SP-17205)	1	.0121
14-1	G503-7036584	FM-GPW-3336	WO-A-623	SHIELD, dust, steering connecting rod dust cover (CA-S-X-1110) (also in KIT, FM-GPW-18383, WO-A-6791)	1	
14-1	G503-7036587	FM-GPW-3327	WO-630754	SPRING, steering connecting rod ball seat (CA-S-5145) (also in KIT, FM-GPW-18383, WO-A-6791)	2	
		FM-GPW-3169	WO-A-860	WASHER, steering bell crank shaft, lower (SP-17215)	2	.0152
	8080-17215	FM-GPW-3168	WO-A-859	WASHER, steering bell crank shaft, upper (SP-17214)	1	.0122
				1402—TIE ROD		
10-3, 5	8080-13439	FM-51-3287	WO-A-1706	CLAMP, steering knuckle tie rod socket (SP-13439) (TP-16MN8)	4	.0641
10-5		FM-24916-S2	WO-A-1707	BOLT, hex-hd., S, $\frac{3}{8}$ -24NF x $1\frac{1}{2}$ (SP-6-73-326) (TP-6MN27)	4	
10-5		FM-33800-S7	WO-52542	NUT, reg, hex., S, cd-pltd., $\frac{3}{8}$ -24NF-2	4	
		FM-34807-S2	WO-5010	WASHER, lock, reg, S, $\frac{3}{8}$ in.	4	
	H001-1518009	FM-78-3336	WO-A-844	COVER, dust, steering knuckle tie rod socket (SP-16067) (TP-14DM-43)	2	
	G085-2371582	FM-GP-3290	WO-A-847	END, steering knuckle tie rod, left, assembly (SP-17047-X) (superseded by END, assembly, FM-GP-3292, WO-A-847)	2	
10-1, 3, 5	8080-17047-X	FM-GP-3292	WO-A-847	END, steering knuckle tie rod, left, assembly (SP-17047-X) (TP-14SV90-A-7) (superseded by END, assembly, FM-GP-3290)	2	.489

10-1, 3	8080-17046-X	FM-GP-3289	WO-A-838	END, steering knuckle tie rod, right, assembly (SP-17046-X) (superseded by END, assembly, FM-GP-3291, WO-A-838)	2	.489
10-5		FM-GP-3291	WO-10558	END, steering knuckle tie rod, right, assembly (SP-17046-X) (TP-14SV89-A-7) (super sedes END, assembly, FM-GP-3289)	2	
10-5	H001-0811040	FM-351059-S7	WO-A-1642	NUT, hex., slotted, S., 1/2-20NF	4	
	G503-0373270	FM-72034-S	WO-A-1704	PIN, cotter, split, S., 3/32 x 1	4	
	G503-0373269	FM-GPW-3280	WO-A-1708	ROD, tie, steering knuckle, right, assembly (SP-17308-X) (includes tie rod END)	1	2.61
	3320-783332-A	FM-GPW-3279	WO-A-1708	ROD, tie, steering knuckle, left, assembly (SP-17309-X) (includes tie rod END)	1	2.35
		FM-78-3332-A	WO-A-6305	SEAL, dust, steering knuckle tie rod (Ford only)	4	
10-1, 3	8080-17295-2	FM-GPW-3282	WO-A-1709	SPRING, steering knuckle tie rod socket stud (SP-17347) (TP-14-DS-20) (Willys only)	4	
10-1, 3, 5	8080-17295-1	FM-GPW-3281	WO-A-1705	TUBE, steering knuckle left tie rod (14 3/4 in. long) (SP-17295-2)	1	
			WO-A-1705	TUBE, steering knuckle right tie rod (21.80 in. long) (SP-17295-1)	1	
1403A—GEAR ASSEMBLY						
14-2	3320-GPW-3590	FM-GPW-3590	WO-A-1116	ARM, steering gear	1	.961
14-2	7640-025060	FM-356077-S8	WO-639115	NUT, hex., S., 5/8-18NF-2	1	
14-2	H001-1518013	FM-34811-S	WO-5038	WASHER, lock, reg., S., 5/8 in.	1	
14-2	H002-0100130	FM-GPW-3571	WO-639104	BALL, chr-alloy-S, Grade 2, 5/16 in. (steering gear worm)	22	.0055
14-2	7640-063996	FM-GPW-3517	WO-639190	BEARING, steering column, wheel end, assembly (RG-063996)	1	.138
14-2	7640-063011	FM-GPW-3587	WO-639090	BUSHING, steering gear housing, inner (RG-063011) (RG-063019)	1	.0306
14-2	7640-063012	FM-GPW-3576	WO-639091	BUSHING, steering gear housing, outer (RG-063012) (RG-063020)	1	.0371
14-2	3320-GPW-3509	FM-GPW-3509	WO-A-1199	COLUMN, steering, w/BEARING, assembly	1	.717
	9680-390510	FM-GPW-3583	WO-390510	COVER, steering column oil hole (Willys only)	1	
14-2	7640-502540	FM-20386-S7	WO-639116	COVER, steering gear housing, side, assembly (GR-502540)	1	.619
		FM-34836-S7	WO-51486	BOLT, hex-hd., s-fin., S., cd-pltd., 5/16-18NC-2 x 1	4	
		FM-GPW-3568	WO-5051	WASHER, lock, hv., S., cd-pltd., 5/16 in.	4	
14-2	7640-T-126000	FM-GPW-3568	WO-A-1760	COVER, steering gear housing, upper (RG-T-126000)	1	.228
	7640-020122	FM-355426-S	WO-639107	BOLT, hex-hd., s-fin., alloy-S., 5/16-18NC-2 x 3/4 (RG-020122)	3	.0258
	G085-1543023	FM-356303-S	WO-639121	WASHER, copper (RG-092021)	3	.0083
		FM-34836-S7	WO-5051	WASHER, lock, hv., S., cd-pltd., 5/16 in.	3	
14-2	H012-6200730	FM-GPW-3552	WO-639102	CUP, steering gear worm ball (RG-400025)	2	.117
14-2	7640-T-129001	FM-GPW-3581	WO-639119	GASKET, steering gear housing side cover (RG-T-129001)	1	.0036
	7640-T-13086	FM-GPW-3504	WO-A-1239	GEAR, steering, w/o WHEEL, assembly (RG-T-13086)	1	9.074
14-2	7640-503284	FM-GPW-3545	WO-A-740	HOUSING, steering gear, assembly (RG-503284)	1	2.139
		FM-24555-S	WO-51371	BOLT, hex-hd., S., 1/6-20NF-2 x 3	2	
		FM-355433-S2	WO-51612	BOLT, hex-hd., S., 1/6-20NF-2 x 4 (Ford only)	1	
		FM-33802-S2	WO-5939	BOLT, hex-hd., S., 1/6-20NF-2 x 4 (Willys only)	1	
		FM-34921-S	WO-52874	NUT, reg., hex., S., 1/16-20NF-2	3	
		FM-GPW-3591-A	WO-639095	WASHER, lock, hv., S., internal tooth, flat type, 1/8 in.	3	.102
14-2	H013-0500017	FM-74121-S	WO-51091	OIL SEAL, steering gear lever shaft (RG-032075)	1	
14-2		FM-358064-S	WO-5085	PLUG, expansion, steering gear housing (1 1/4 in.)	1	
14-2	7640-401100	FM-GPW-3589	WO-639103	PLUG, filler, steering gear housing (pipe, I., 1/8 in.)	1	.0023
14-2	7640-021116	FM-GPW-3577	WO-639118	RING, retaining, steering gear worm ball (RG-401100)	2	.07
14-2		FM-33927-S7	WO-52925	SCREW, adjusting, steering gear lever shaft (RG-021116)	1	
14-2	7640-028093	FM-GPW-3518	WO-639192	NUT, thin, hex., S., cd-pltd., 1/16-20	1	.0081
			WO-639192	SEAT, steering column upper bearing spring (RG-028093)	1	

Key	Part Name	Ford Part No.	Willys Part No.	Group No.
A	WHEEL	FM-GPW-3600-A	WO-A-6858	1404
B	BEARING	FM-GPW-3517	WO-639190	1403A
C	SEAT	FM-GPW-3518	WO-639192	1403A
D	SPRING	FM-GPW-3520	WO-639191	1403A
E	NUT	FM-GPW-3655	WO-A-633	1404
F	BUTTON	FM-GPW-3627	WO-A-634	0609B
G	WASHER	FM-GPW-3631	WO-A-750	0609B
H	FERRULE	FM-GPW-3635-B	WO-A-751	0609B
J	SPRING	FM-GPW-3626	FM-638884	0609B
K	CUP	FM-GPW-3646	WO-638885	0609B
L	CABLE, assembly	FM-GPW-14171	WO-A-752	0609B
M	COLUMN, assembly	FM-GPW-3509	WO-A-1199	1403A
N	CLAMP, assembly	FM-GPW-3506	WO-A-635	1405
P	SHIM SET	FM-GPW-18374	WO-A-6760	1403A
Q	RING	FM-GPW-3589	WO-639103	1403A
R	CUP	FM-GPW-3552	WO-639102	1403A
S	SHAFT, and WORM, assembly	FM-GPW-3514	WO-A-8838	1403A
T	PLUG	FM-358064-S	WO-5085	1403A
U	SHAFT, assembly	FM-GPW-3575	WO-A-745	1403A
V	GASKET	FM-GPW-3581	WO-639119	1403A
W	SCREW	FM-GPW-3577	WO-639118	1403A
X	NUT	FM-33927-S7	WO-52925	1403A
Y	COVER	FM-GPW-3583	WO-639116	1403A
Z	HOUSING, assembly	FM-GPW-35415	WO-A-740	1403A
AA	PLUG	FM-74121-S	WO-51091	1403A
AB	BUSHING	FM-GPW-3587	WO-639090	1403A
AC	BUSHING	FM-GPW-3576	WO-639091	1403A
AD	ARM	FM-GPW-3590	WO-A-1116	1403A
AE	WASHER	FM-34811-S	WO-5038	1403A
AF	NUT	FM-356077-S8	WO-639115	1403A
AG	OIL SEAL	FM-GPW-3591-A	WO-639095	1403A
AH	BALLS	FM-GPW-3571	WO-639104	1403A
AJ	COVER	FM-GPW-3568	WO-A-1760	1403A
AK	RING	FM-GPW-3652	WO-A-747	0609B
AL	BRUSH	FM-GPW-13836	WO-A-302	0609B



RA PD 342246

FIGURE 14-2—STEERING GEAR ASSEMBLY—EXPLODED VIEW

GROUP 14—STEERING

Figure Number	Official Stock Number	Piece Mark or Part Number		ITEM	Quant. Req'd. per Unit Assy.	Unit Price
		Ford No.	Willys No.			
Col. 1	Col. 2	Col. 3	Col. 4	Col. 5	Col. 6	Col. 7
14-2	7640-503308	FM-GPW-3524	WO-A-742	1403A—GEAR ASSEMBLY (Cont'd) SHAFT and WORM, steering gear, w/horn button NUT, assembly (superseded by SHAFT, assembly, FM-GPW-3514, WO-A-8838) SHAFT and WORM, steering gear, w/horn button NUT, assembly (RG-503308) (supersedes SHAFT, assembly, FM-GPW-3524, WO-A-742) SHAFT, lever, steering gear, assembly (RG-7698-4 $\frac{5}{8}$) SHIM, steering gear mounting SHIM, steering gear housing upper cover (S, 0.002 thk.) (RG-033046) (also in SHIM SET, FM-GPW-18374, WO-A-6760) SHIM, steering gear housing upper cover (S, 0.003 thk.) (RG-033047) (also in SHIM SET, FM-GPW-18374, WO-A-6760) SHIM, steering gear housing upper cover (S, 0.010 thk.) (RG-033048) (also in SHIM SET, FM-GPW-18374, WO-A-6760) SHIM SET, steering gear housing upper cover (Consists of: 2 SHIM, 0.002 thk. 2 SHIM, 0.003 thk. 2 SHIM, 0.010 thk.) SNAP RING, steering column (Ford only) SPACER, steering gear to frame bolt SPRING, steering column upper bearing (RG-401090) WASHER, S, $\frac{1}{2}$ in. I.D. x $\frac{1}{4}$ O.D. (steering gear slotted hole)	1	2.51
14-2	7640-503308	FM-GPW-3514	WO-A-8838		1	2.281
14-2	F065-0101500	FM-GPW-3575	WO-A-745		1	.0029
	3320-GPW-3563	FM-GPW-3563	WO-638918		as req.	
	7640-033046	FM-GPW-3593	WO-639108		as req.	
	7640-033047	FM-GPW-3594	WO-639109		as req.	
	7640-033048	FM-GPW-3595	WO-639110		as req.	
14-2	3320-GPW-18374	FM-GPW-18374	WO-A-6760		1	.11
	7640-033046	FM-GPW-3593	WO-639108			
	7640-033047	FM-GPW-3594	WO-639109			
	7640-033048	FM-GPW-3595	WO-639110			
14-2	7640-401090	FM-GPW-3520	WO-639191	1404—WHEEL ASSEMBLY WHEEL, steering, assembly (hard rubber) (superseded by WHEEL, FM-GPW-3600-A, WO-A-6858) WHEEL, steering assembly (superseded by WHEEL, FM-GPW-3600-A, WO-A-6858) WHEEL, steering assembly (supersedes WHEEL, WO-A-535; and WHEEL, WO-A-6343; and WHEEL, FM-GPW-3600-A3) NUT, steering wheel and horn button (RG-026088)	2	.0036
	7640-033048	FM-GPW-3595	WO-639110		1	.0033
	3320-GPW-3521	FM-GPW-3521	WO-A-1422		1	.0217
	7640-401090	FM-GPW-3520	WO-639191			
		FM-356439-S	WO-638381			
	9680-A-535		WO-A-535			
	9680-A-6343		WO-A-6343			
14-2; 18-1	3320-GPW-3600-A	FM-GPW-3600-A3	WO-A-6858			
14-2	7640-026988	FM-GPW-3655	WO-A-633			

WO-A-1204	BRACKET, front shock absorber, left, w/SHAFT, assembly (frame end)	1
WO-A-1205	BRACKET, front shock absorber, right, w/SHAFT, assembly (frame end) (Willys only)	1
WO-A-1341	BRACKET, master cylinder, assembly	1
	RIVET, fl-hd., S., 1/4 x 1 1/16 (Ford only)	8
WO-A-1283	BRACKET, mounting, front brake hose (frame end)	2
	RIVET, fl-hd., S., 1/4 x 1 1/16 (Ford only)	2
WO-5249	RIVET, rd-hd., S. (Willys only)	2
WO-638809	BRACKET, mounting, rear brake hose (Willys only)	1
WO-A-1201	BRACKET, radiator	2
	RIVET, huck, S., 5/16 x 5/16 (Ford only)	2
	RIVET, rd-hd., S., 5/16 x 1 3/16 (Ford only)	2
WO-5267	RIVET, rd-hd., S., 5/16 x 3/4 (Willys only)	4
	BRACKET, rear shock absorber, w/SHAFT, assembly (Ford only)	2
	RIVET, plain, S., pointed, 5/16 x 7/8	2
WO-A-484	BRACKET, rear shock absorber, left, w/SHAFT, assembly (Willys only)	1
WO-A-485	BRACKET, rear shock absorber, right, w/SHAFT, assembly (Willys only)	1
WO-A-1431	BRACKET, support, body, rear (Willys only)	1
	BRACKET, support, radiator (Ford only)	2
	BRACKET, support, radiator grille guard (Ford only)	1
WO-A-1514	BRACKET, support, radiator guard (Willys only)	1
WO-A-1202	BRACKET, support, radiator, left (Willys only)	1
WO-A-508	BRACKET, support, radiator, right	1
	RIVET, flat head, S., 5/16 x 1 1/16 (Ford only)	4
WO-A-6740	CUP, retaining, transfer case insulator	1
	RIVET, plain, S., pointed, 5/16 x 3/4 (Ford only)	1
WO-A-1142	FRAME, assembly (Willys only) (includes: BRACES, BRACKETS, CUPS, REINFORCEMENTS, RETAINERS, TUBES AND ATTACHING PARTS)	1
	FRAME, assembly (Ford only) (includes: BRACES, BRACKETS, CUPS, REINFORCEMENTS, RETAINERS, TUBES AND ATTACHING PARTS) (superse- ded by FRAME, assembly, FM-GPW-5005-B)	1
	FRAME, assembly (Ford only) (supersedes FRAME, assembly, FM-GPW-5005)	1
	GUARD, exhaust pipe (after Willys serial 120700) (Willys only)	1
	BOLT, carriage, S., 3/8-16NC-2 x 7/8 (guard to skid plate) (Willys only)	2
	BOLT, hex-hd., S., 3/8-24NF-2 x 1 (guard to frame) (Willys only)	1
	NUT, hex., S., 3/8-16NC-2 (Willys only)	2
	WASHER, plain, S., 3/8 in., SAE (1 3/16 O.D. x 1 3/16 I.D. x 1/16 thk.) (Willys only)	3
	WASHER, plain, S., 3/8 in. (1 1/2 O.D. x 1/16 I.D.) (Willys only)	1
	WASHER, lock, S., 3/8 in. (Willys only)	3
	GUSSET, front bumper, lower left	1
	GUSSET, front bumper, lower right	1
	GUSSET, front bumper, upper left	1
	GUSSET, front bumper, upper right	1
	MEMBER, cross, frame, center	1
	RIVET, rd-hd., S., 3/8 x 7/8	2
	MEMBER, cross, frame, front (Ford only)	1

FM-GPW-5095		
FM-357008-S		
FM-GPW-2073		
FM-357008-S		
FM-GPW-5057		
FM-357074-S		
FM-352103-S		
FM-60416-S		
FM-GPW-18040		
FM-352104-S		
FM-GPW-5072		
FM-99A-5090		
FM-60093-S		
FM-GPW-5084		
FM-352101-S		
FM-GPW-5005		
FM-GPW-5005-B		
WO-A-5415		
WO-52945		
WO-5919		
WO-5544		
WO-52101		
WO-303922		
WO-5010		
WO-A-1129		
WO-A-1130		
WO-A-1127		
WO-A-1128		
WO-A-1150		
WO-52832		
FM-GPW-17753		
FM-GPW-17752		
FM-GPW-17755		
FM-GPW-17754		
FM-GPW-5028		
FM-357100-S		
FM-GPW-5019-B		

H001-0918009

GROUP 15—FRAME AND BRACKETS (Cont'd)

Figure Number	Official Stock Number	Piece Mark of Part Number		ITEM	Quant. Req'd. per Unit Assy.	Unit Price
		Ford No.	Willys No.			
Col. 1	Col. 2	Col. 3	Col. 4	Col. 5	Col. 6	Col. 7
				1500—FRAME AND BRACKETS (Cont'd)		
		FM-GPW-5025	WO-A-5127	MEMBER, cross, frame, intermediate, front, assembly	1	
		FM-20389-S	WO-50151	BOLT, hex-hd., s-fin., alloy-S, $\frac{3}{8}$ -24NF-2 x 1 (Ford only)	6	
		FM-33800-S2	WO-5901	BOLT, hex-hd., s-fin., alloy-S, $\frac{3}{8}$ -24NF-2 x $\frac{1}{2}$ (Willys only)	6	
		FM-34747-S7	WO-52101	NUT, hex., S, $\frac{3}{8}$ -24NF-2	6	
	H001-1518009	FM-34807-S2	WO-5010	WASHER, plain, S, cd-pltd., $\frac{3}{8}$ in. ($\frac{1}{16}$ O.D. x $\frac{1}{16}$ I.D. x $\frac{1}{16}$ thk.)	2	
		FM-GPW-5035	WO-A-547	WASHER, lock, S, $\frac{3}{8}$	6	
			WO-5326	MEMBER, cross, frame, rear	1	
		FM-357100-S	WO-50769	RIVET, fl-hd., S, $\frac{3}{8}$ x $\frac{1}{8}$ (Willys only)	2	
			WO-A-1153	RIVET, rd-hd., S, $\frac{3}{8}$ x $\frac{3}{4}$ (Willys only)	4	
			WO-52832	RIVET, rd-hd., S, $\frac{3}{8}$ x $\frac{3}{4}$ (Willys only)	4	
			WO-A-668	RIVET, rd-hd., S, $\frac{3}{8}$ x $\frac{1}{2}$ (Ford only)	8	
			WO-A-549	MEMBER, cross, frame, intermediate, rear (Willys only)	1	
				RIVET, rd-hd., S, $\frac{3}{8}$ x $\frac{7}{8}$ (Willys only)	2	
				NUT, clinch, S, $\frac{1}{4}$ -28NF-2 (MSP-F-2005) (Willys only)	2	
				NUT, clinch, S, $\frac{3}{8}$ -24NF-2 (dash to frame brace; fender brace to frame) (MSP-F-2009) (Willys only)	2	
				NUT, clinch, S, $\frac{3}{8}$ -24NF-2 (splasher apron to frame) (MSP-F-2007) (Willys only)	11	
		FM-GPW-5077	WO-A-548	OUTRIGGER, body, rear	5	
		FM-357100-S	WO-A-637	RIVET, rd-hd., S, $\frac{3}{8}$ x $\frac{1}{2}$ (Ford only)	4	
			WO-50769	RIVET, rd-hd., S, $\frac{3}{8}$ x $\frac{3}{4}$ (Willys only)	4	
		FM-GPW-5125	WO-A-1151	PLATE, mounting, machine gun	1	
		FM-GPW-5097	WO-A-534	PLATE, reinforcement, machine gun	1	
			WO-52906	PLATE, reinforcement, frame, rear	1	
			WO-5010	RIVET, fl-hd., S, $\frac{3}{8}$ x $\frac{3}{4}$ (Willys only)	1	
	H001-1518009	FM-GPW-5291-B	WO-A-1253	WASHER, lock, S, $\frac{3}{8}$ in. (Willys only)	4	
04-1				PLATE, skid, exhaust pipe guard (under frame) (used with external contracting type hand brake)	1	
		FM-23395-S	WO-52945	BOLT, carriage, sq-nk., S, $\frac{3}{8}$ -16NC-2 x $\frac{7}{8}$	1	
		FM-33797-S7	WO-5544	NUT, reg, hex, s-fin., S, cd-pltd., $\frac{3}{8}$ -16NC-2 (GM-102635)	4	
	H001-4167580	FM-34747-S2	WO-52101	WASHER, plain, S, SAE std., $\frac{3}{8}$ in.	4	
	H001-1530009	FM-34807-S2	WO-5010	WASHER, lock, reg., S, $\frac{3}{8}$ in.	4	
			WO-A-8858	PLATE, skid, exhaust pipe guard (under frame) (used with internal expanding type hand brake)	4	
				BOLT, carriage, sq-nk., S, $\frac{3}{8}$ -16NC-2 x $\frac{7}{8}$ (plate to cross member)	1	
			WO-52945	BOLT, hex-hd., S, $\frac{3}{8}$ -24NF-2 x 1 (plate to frame)	4	
			WO-5919	NUT, hex., S, $\frac{3}{8}$ -16NC-2	1	
		FM-33797-S7	WO-5544	WASHER, plain, SAE std., $\frac{3}{8}$ in.	4	
		FM-34747-S2	WO-52101	WASHER, lock, S, $\frac{3}{8}$ in.	4	
	H001-1530009		WO-303922	WASHER, S, $1\frac{1}{2}$ O.D. x $\frac{1}{16}$ I.D.	1	

H001-1518009	FM-34807-S2	WO-5010	WASHER, lock, S., reg., 3/8 in.	1
		WO-A-493	RETAINER, pedal shaft, assembly (Willys only)	1
		WO-A-416	SPACER, frame cross member, intermediate front bracket (Willys only)	2
	FM-GPW-17759	WO-A-1120	SPACER, front bumper gusset	2
		WO-A-1138	SUPPORT, battery, assembly (before Willys serial 120700) (Willys only)	1
		WO-A-5181	SUPPORT, battery, assembly (after Willys serial 120700) (Willys only)	1
		WO-A-50769	RIVET, rd.-hd., S., 3/8 x 3/4	1
9680-A-1203		WO-A-1203	TUBE, cross, frame, front (Willys only)	1
1502—PINTLE HOOK				
15-1	FM-GPW-5186	WO-A-6393	BOLT, eye, safety chain (after Willys serial 158372)	2
15-1	FM-33845-S2	WO-6163	NUT, hex., S., 1/2-13NC-2	2
15-1	FM-34809-S	WO-5009	WASHER, lock, S., 1/2 in.	2

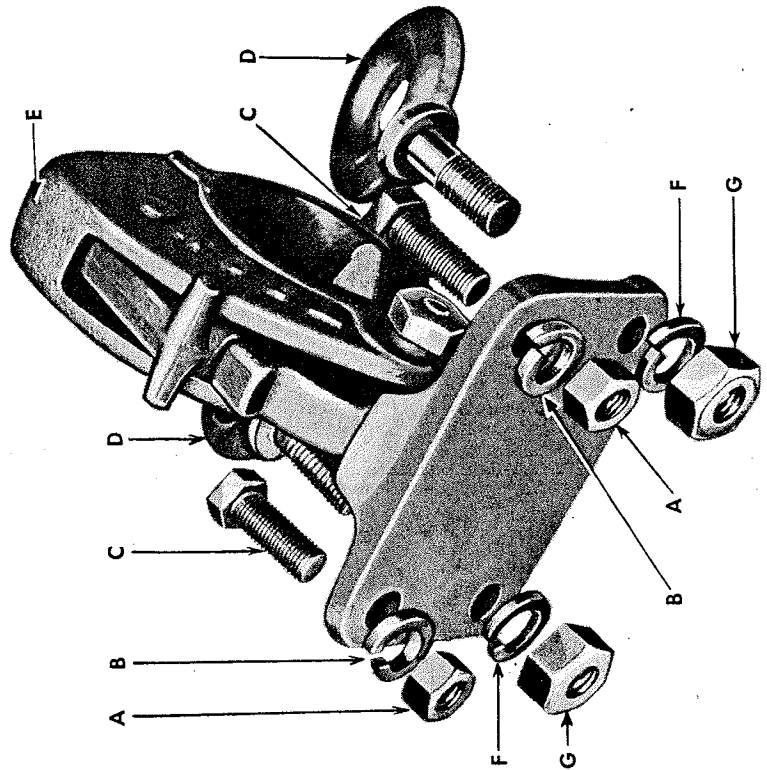


FIGURE 15-1—PINTLE HOOK

GROUP 15—FRAME AND BRACKETS (Cont'd)

Figure Number	Official Stock Number	Piece Mark or Part Number		ITEM	Quant. Req'd. per Unit Assy.	Unit Price
		Ford No.	Willys No.			
Col. 1	Col. 2	Col. 3	Col. 4	Col. 5	Col. 6	Col. 7
15-1		FM-GPW-5182	WO-A-593	1502—PINTLE HOOK (Cont'd) HOOK, pintle (HLH-T-60-B) BOLT, hex-hd., S., 7/16-20NF-2 x 1 1/2 (hook to frame) NUT, reg., hex., S., 7/16-20NF-2 WASHER, lock, reg., S., 7/16 in.	1	
15-1		FM-24411-S	WO-6923		2 or 4	
15-1		FM-33802-S	WO-5939		2 or 4	
15-1	H001-1518010	FM-34808-S	WO-52349		2 or 4	
				1505—SPARE WHEEL CARRIER		
				BRACKET, support, spare tire, assembly	1	
			WO-A-11701	BOLT, hex-hd., S., 3/8-16NC-2 x 7/8	2	
			WO-6299	NUT, reg., hex., S., 3/8-16NC-2	2	
			WO-5544	WASHER, plain, S., 3/8 in.	2	
			WO-52101	WASHER, lock, reg., S., 3/8 in.	2	
			WO-5010	BRACKET, support, spare tire, assembly (ORD-C7044167) (Note 1)	1	
		FM-GPW-1433	WO-A-2359	BRACKET, support, spare wheel, assembly	1	1.531
		FM-20326-S7	WO-51485	BOLT, hex-hd., S., cd-pltd., 5/16-18NC-2 x 5/8	2	
		FM-20406-S	WO-6660	BOLT, hex-hd., S., 5/16-18NC-2 x 1 1/4	2	
		FM-33797-S2	WO-6167	NUT, reg., hex., S., 5/16-18NC-2	4	
		FM-34806-S2	WO-51840	WASHER, lock, reg., S., 5/16 in.	4	.0241
	H001-1518008	FM-GP-1012	WO-A-476	NUT, spare wheel to carrier stud (hex., S., 1/2-20NF-2)	2	
				SPACER, spare wheel support, L.H. (ORD-B7044154) (Note 1)	1	
				SPACER, spare wheel support, R.H. (ORD-A-7044173) (Note 1)	1	
				GROUP 16—SPRINGS AND SHOCK ABSORBERS		
				1601—FRONT SPRING		
				BOLT, front spring, center (superseded by BOLT, FM-GPW-5345-A, WO-116609)	2	
		FM-GPW-5345-A	WO-108411	BOLT, front spring, center (supersedes BOLT, WO-108411)	2	.0199
	0340-14384	FM-GPW-5333-A	WO-116711	BOLT, front spring, center, w/NUT, assembly (5/16-24NF-2 x 2 3/8) (for use with SPRING, WO-A-8463 and WO-A-8464)	2	
		FM-35798-S	WO-5910	NUT, reg., hex., s-fin., alloy-S., 5/16-24NF-2	2	
		FM-GPW-5781	WO-359039	BUSHING, front spring eye (superseded by BUSHING, FM-GPW-5781-A, WO-359039)	2	.085
		FM-GPW-5781-A	WO-359039	BUSHING, front spring eye (0.753 O.D. x 0.565 I.D. x 1.68 long) (supersedes BUSHING, FM-GPW-5781)	2	
		FM-GPW-5330-B	WO-116460	CLIP, front spring leaf, large	4	.0194

GROUP 16—SPRINGS AND SHOCK ABSORBER (Cont'd)

Figure Number	Official Stock Number	Piece Mark or Part Number		ITEM	Quant. Reqd. per Unit Assy.	Unit Price
		Ford No.	Willys No.			
Col. 1	Col. 2	Col. 3	Col. 4	Col. 5	Col. 6	Col. 7
16-1	G503-0389792	FM-GPW-5311	WO-A-8464-3 WO-A-612	1601—FRONT SPRINGS (Cont'd) LEAF, front right spring, No. 3 (for SPRING, WO-A-8464). SPRING, front, left, assembly (WO-A-612 has wrap-around type clips; FM-GPW-5311 has open type clips; complete assemblies are interchangeable) (superseded by SPRING, assembly, WO-A-8463). SPRING, front, assembly (10 leaf) (supersedes SPRING, assembly, FM-GPW-5311, WO-A-612 and SPRING, assembly, FM-GPW-5310, WO-A-613) (Note 1). SPRING, front, right, assembly (WO-A-613 has wrap-around type clips; FM-GPW-5310 has open type clips; complete assemblies are interchangeable) (superseded by SPRING, assembly, WO-A-8463). SPRING, front, right, assembly (Note 2).	1	4.01
20-1	G503-0389793	FM-GPW-5310-B FM-GPW-5310	WO-A-8463 WO-A-613 WO-A-8464	1601A—REAR SPRINGS BOLT, rear spring, center (5/16-24NF-2 x 2 3/4). BOLT, rear spring, center, w/NUT, assembly (5/16-24NF-2 x 2 3/4) (for use with SPRING, WO-A-15728). NUT, reg., hex., S., 5/16-24NF-2. BUSHING, rear spring eye (0.753 O.D. x 0.565 x 1.68 lgth.). CLIP, rear spring leaf, large. CLIP, rear spring leaf, small. LEAF, rear spring, No. 1, w/BUSHING (42 in. between eye centers). LEAF, rear spring, No. 2 (42 in. long). LEAF, rear spring, No. 2 (for SPRING, WO-A-15728). LEAF, rear spring, No. 3 (36 in. long). LEAF, rear spring, No. 3 (for SPRING, WO-A-15728). SPRING, rear, assembly (superseded by SPRING, assembly, WO-A-15728). SPRING, rear, assembly (11 leaf) (supersedes SPRING, assembly, FM-GPW-5560, WO-A-614).	2 2 2 4 4 2 2 2 2 2 2 2	.0231 .0205 .02 1.01 .766
	G085-2307352 3320-GPW-5781-A	FM-33798-S2 FM-GPW-5781-A FM-GPW-5724-B FM-GPW-5724-A FM-GPW-5563 FM-GPW-5565 FM-GPW-5566 FM-GPW-5560 FM-GPW-5560-B	WO-A-481 WO-51396 WO-5910 WO-51833	1601B—SPRING BUMPERS BUMPER, front and rear axle. BOLT, hex-hd., s-fin., alloy-S., 5/16-24NF-2 x 3/4. NUT, reg., hex., s-fin., S., 5/16-24NF-2. WASHER, lock, reg., S., 5/16 in.	4 8 8 8	.118
	G503-0389784	FM-GPW-5783-A FM-24347-S2 FM-35798-S FM-34806-S2			2	4.594
	H001-1518008				2	

20-1	WO-A-10285	SPACER, axle bumper (Note 2)		2
		1601C—TORQUE REACTION SPRING		
	WO-A-6075	FM-GPW-5608	BOLT, pivot, spring shackle (used rear of front left spring with torque reaction spring)	.375
16-1	WO-A-6074	FM-GPW-5609	BOLT, torque reaction spring shackle (shackle to torque spring)	.11
	WO-6436	FM-34033-S18	NUT, hex, castle, S, $\frac{5}{16}$ -18NF-2	1
	WO-5021	FM-72035-S	PIN, cotter, split, S, $\frac{3}{8}$ x 1	1
	WO-A-6072	FM-GPW-5604	BUSHING, torque reaction spring inner shackle (superseded by BUSHING, FM-GPW-5604-A, WO-A-6072)	.0267
		FM-GPW-5604	BUSHING, torque reaction spring inner shackle (supersedes BUSHING, FM-GPW-5604)	1
		FM-GPW-5607	BUSHING, torque reaction spring outer shackle (superseded by BUSHING, FM-GPW-5607-A, WO-A-6073)	.0269
	WO-A-6073	FM-GPW-5607-A	BUSHING, torque reaction spring outer shackle (supersedes BUSHING, FM-GPW-5607)	1
16-1	WO-A-6067	FM-GPW-5610	BUSHING, torque reaction spring leaf	.147
	WO-A-6169	FM-GPW-5611	CLIP, torque reaction spring	.228
		FM-GPW-5587-B	LEAF, torque reaction spring, No. 1 (superseded by LEAF, FM-GPW-5587, WO-A-6861)	1.971
	WO-A-6861	FM-GPW-5587	LEAF, torque reaction spring, No. 1 (supersedes LEAF, FM-GPW-5587-B)	1
		FM-GPW-5590	LEAF, torque reaction spring, No. 2 (superseded by LEAF, FM-GPW-5590-B, WO-A-6168)	.538
16-1	WO-A-6168	FM-GPW-5590-B	LEAF, torque reaction spring, No. 2 (supersedes LEAF, FM-GPW-5590)	1
	WO-A-6068	FM-GPW-5602	SHACKLE, torque reaction spring, inner, w/BUSHING	1
16-1	WO-A-6069	FM-GPW-5605	SHACKLE, torque reaction spring, outer, w/BUSHING	.375
		FM-GPW-5588	SPRING, torque reaction, assembly (superseded by SPRING, assembly, FM-5588-A, WO-A-6066)	1
		FM-GPW-5588-A2	SPRING, torque reaction, assembly (superseded by SPRING, assembly, FM-GPW-5588-A, WO-A-6066)	2.30
16-1	WO-A-6066	FM-GPW-5588-A	SPRING, torque reaction, assembly (supersedes SPRING, assembly, FM-GPW-5588; and FM-GPW-5588-A2)	1
			1602—SHACKLES AND SPRING ATTACHING PARTS	
16-1	WO-384228	FM-GPW-5468	BOLT, pivot, spring shackle (front for rear spring and rear for front spring) (not used rear of front left spring with torque reaction spring)	3 or 4
16-1		FM-34033-S18	NUT, hex, castle, S, $\frac{5}{16}$ -18NF-2	3 or 4
16-1	WO-5021	FM-72035-S	PIN, cotter, split, S, $\frac{3}{8}$ x 1	3 or 4
	WO-635532	FM-GPW-5463	BUSHING, spring shackle, L.H. thd., assembly (superseded by BUSHING, FM-GPW-5463-B, WO-A-8255)	2
16-1	WO-A-8255	FM-GPW-5463-B	BUSHING, spring shackle, L.H. thd., assembly (front end of front left spring and rear end of rear right spring) (supersedes BUSHING, FM-GPW-5463, WO-635532)	2
	WO-634432	FM-GPW-5464	BUSHING, spring shackle, R.H. thd., assembly (superseded by BUSHING, FM-GPW-5464-B, WO-A-8256)	6

Note 1—Also used as front left spring on vehicles modified by MWO ORD G503-W8 (see page 3). Note 2—Only for vehicles modified by MWO ORD G503-W8 (see page 3).

1603—SHOCK ABSORBERS AND MOUNTINGS

Part Number	Part Name	Quantity	Notes
G503-7088715	WO-A-169	2	ABSORBER, shock, front, assembly (superseded by ABSORBER, assembly, FM-GPW-18045, WO-A-6902)
G503-7088715	WO-A-6902	2	ABSORBER, shock, front, assembly (FM-GPW-18045 is manufactured by Gabriel Co.; WO-A-6902 is manufactured by Monroe Auto Equipment Co. MAE-11465; complete assemblies are interchangeable) (supersedes ABSORBER, assembly WO-A-169)
9680-A-170	WO-A-170	2	ABSORBER, shock, rear, assembly (superseded by ABSORBER, assembly, FM-GPW-18080, WO-A-6903)
3320-GPW-18080	WO-A-6903	2	ABSORBER, shock, rear, assembly (FM-GPW-18080 is manufactured by Gabriel Co.; WO-A-6903 is manufactured by Monroe Auto Equipment Co., MAE-11466; complete assemblies are interchangeable) (supersedes ABSORBER, assembly, WO-A-170)
3320-GPW-18060	FM-GPW-18060	2	BUSHING, shock absorber mounting pin, rubber (superseded by BUSHING, FM-GPW-18060-A, WO-637936)
3320-GPW-18060-A	FM-GPW-18060-A	16	BUSHING, shock absorber mounting pin, rubber (HF-779) (supersedes BUSHING, FM-GPW-18060)
9680-A-8810	WO-A-8810	1	Kit, repair, rear shock absorber (use this kit with WO-A-6903 ABSORBER only)
	(Consists of:		
	4 BUSHING		
	1 DISK		
	1 GASKET		
	1 GUIDE, w/SEAL		
	1 NUT		
	1 PISTON		
	1 PLATE, adjusting		
	1 PLATE, valve backing		
	1 SEAT		
	1 SLEEVE		
	1 SPACER, metering		
	1 SPRING, intake valve		
	1 SPRING, valve		
	1 TUBE		
	1 VALVE, compression assembly		
	1 VALVE, intake		
	1 WASHER, piston support		
	1 WASHER, spring seat		
9680-A-8809	WO-A-8809	1	Kit, repair, front shock absorber (use this kit with WO-A-6902 ABSORBER only)
	(Consists of:		
	4 BUSHING		
	1 DISK		
	1 GASKET		
	1 GUIDE, w/SEAL		
	1 NUT		
	1 PISTON		
	1 PLATE, adjusting		
	1 PLATE, valve		
	1 SEAT		

GROUP 16—SPRINGS AND SHOCK ABSORBER (Cont'd)

Figure Number	Official Stock Number	Piece Mark or Part Number		ITEM	Quant. Req'd. per Unit Assy.	Unit Price	
		Ford No.	Willys No.				
Col. 1	Col. 2	Col. 3	Col. 4	Col. 5	Col. 6	Col. 7	
				1603—SHOCK ABSORBERS AND MOUNTINGS (Cont'd)			
				KIT, repair, rear shock absorber (Cont'd) 1 SLEEVE 1 SPACER, metering 1 SPACER, piston nut 1 SPRING, intake valve 1 SPRING, valve 1 TUBE 1 VALVE, compression, assembly 1 VALVE, intake 1 WASHER, piston support 1 WASHER, spring seat WASHER, shock absorber mounting pin (S, cd-pltd., 1 1/4 O.D. x 4 1/4 I.D. x 5/8 thk.) PIN, cotter, split, S, 3/16 x 1			.0074
				GROUP 17—HOOD, FENDERS AND APRONS			
				1701—FENDERS			
				ANTISQUEAK, front fender to cowl side panel, lower ANTISQUEAK, front fender to cowl side panel, upper BOLT, welding, S, 3/16-18NC x 3/8 (battery holder to fender) BRACE, left front fender BRACE, right front fender BOLT, hex-hd., S, 3/8-24NF x 1 3/8 (brace to chassis) WASHER, lock, reg., S, 3/8 in. WASHER, plain, S, 3/8 in. FENDER, front left, w/SPLASHER, assembly FENDER, front right, w/SPLASHER, assembly BOLT, hex-hd., S, 3/8-18NC x 3/4 (fender to cowl) NUT, hex., S, 3/8-18NC WASHER, lock, S, cd-pltd., internal, external teeth, 3/16 in. (was WO-A-51833) WASHER, lock, S, external teeth, 3/16 in. WASHER, plain, S, 3/8 in. FILLER, front fender brace, wood			.0019
				WO-116635 WO-116628 WO-116631 WO-637803 WO-116633 WO-116638 WO-116624 WO-637804 WO-116629 WO-116634 WO-A-227 WO-52946 FM-GPW-16132 FM-GPW-16159 FM-GPW-16095 FM-GPW-16094 FM-24449-S2 FM-34807-S2 FM-34707-S2 FM-GPW-16006 FM-GPW-16005 FM-20046-S2 FM-34130-S2 FM-356309-S7 FM-34941-S7 FM-GPW-16105			

1702—SPLASH APRON

FM-GPW-16133	WO-A-3159	ANTISQUEAK, apron to frame.....	3
FM-GPW-16083	WO-A-2841	APRON, splash, left front fender, assembly.....	1
FM-GPW-16082	WO-A-2842	APRON, splash, right front fender, assembly.....	1
FM-20349-S2	WO-50163	BOLT, hex-hd., S., $\frac{3}{8}$ -24NF-2 x $\frac{3}{4}$ (apron to fender).....	4
FM-20347-S2	WO-51396	BOLT, hex-hd., S., $\frac{5}{16}$ -24NF-2 x $\frac{3}{4}$ (apron to top of frame).....	1
FM-356200-S7	WO-53026	WASHER, lock, S., cd-pltd., internal, external teeth, $\frac{3}{8}$ in.....	4
FM-34806-S7	WO-51840	WASHER, lock, reg., S., cd-pltd., $\frac{5}{16}$ in.....	1
FM-351370-S2	WO-71633	WASHER, plain, S., $\frac{5}{16}$ in.....	1
	WO-50921	WASHER, plain, S., $\frac{3}{8}$ in.....	4
FM-GPW-16128	WO-A-3096	BRACE, mounting, voltage regulator.....	2
FM-350976-S2	WO-A-3375	NUT, clinch, $\frac{5}{16}$ -24NF-2 (regulator to apron).....	4
	WO-53135	WASHER, lock, S., cd-pltd., external teeth, $\frac{3}{8}$ in.....	4

.0012

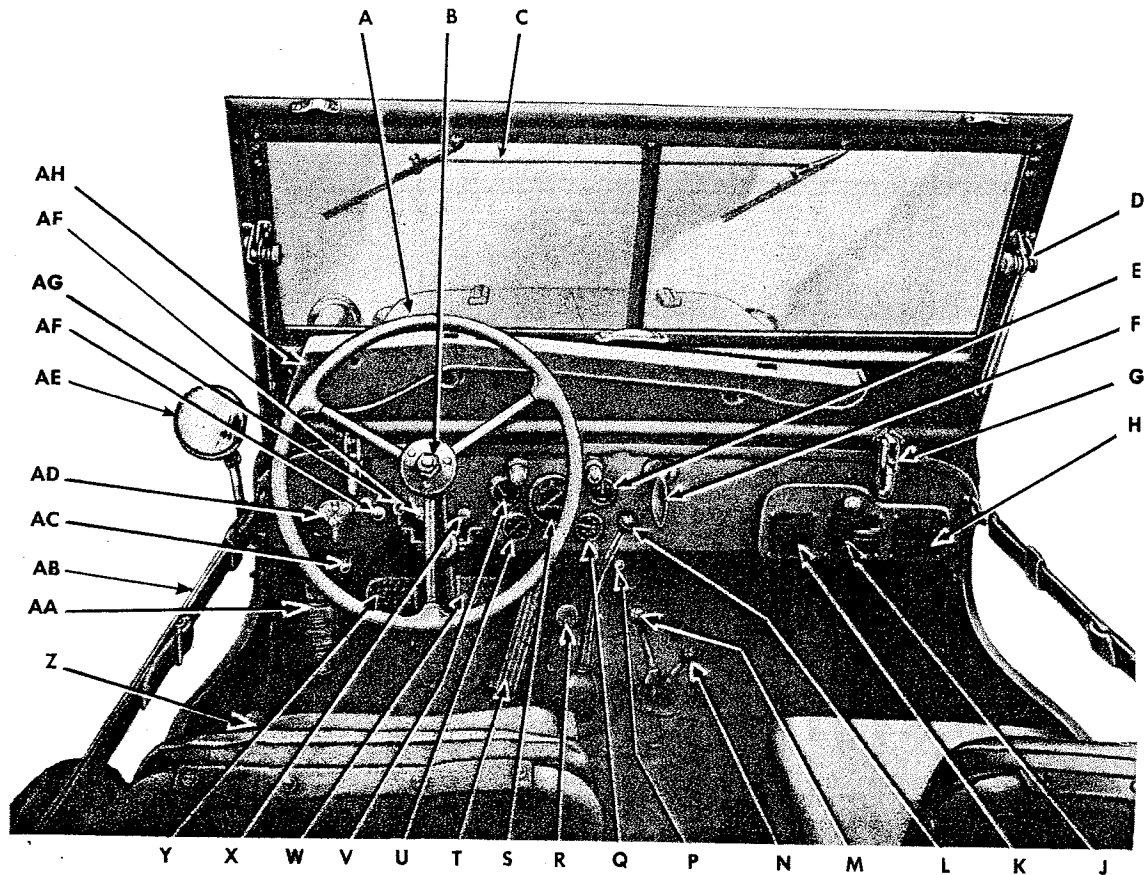
.0064

1704—HOOD

FM-GPW-16684	WO-A-3059	BRACKET, hood catch.....	2
FM-20308-S7	WO-51514	BOLT, hex-hd., S., cd-pltd., $\frac{1}{4}$ -20NC-2 x $\frac{5}{8}$ (brkt. to hood).....	4
FM-33795-S2	WO-5790	NUT, hex., S., $\frac{1}{4}$ -20NC-2.....	4
FM-34805-S2	WO-52031	WASHER, lock, reg., S., $\frac{1}{4}$ in.....	4
FM-34705-S2	WO-5121	WASHER, plain, S., $\frac{1}{4}$ in.....	4
FM-GTB-16848-A	WO-A-4683	BUMPER, hood top windshield, assembly (wood).....	2
	WO-A-4679	NUT, S., prong type, sleeve, No. 10 (0.190)-32NF-2.....	4
	WO-6627	SCREW, rd-hd., S., No. 10 (0.190)-32NF-2 x $\frac{1}{8}$ (bumper to hood).....	4
	WO-52221	WASHER, lock, reg., S., No. 10 (0.190).....	4
	WO-A-2896	CATCH, hood, assembly.....	2
	WO-52168	BOLT, hex-hd., S., $\frac{1}{4}$ -20NC-2 x $\frac{5}{8}$	4
	WO-52217	NUT, reg., hex., S., $\frac{1}{4}$ -20NC-2.....	4
	WO-52076	WASHER, lock, reg., S., $\frac{1}{4}$ in.....	4
	WO-52702	WASHER, plain, S., $\frac{1}{4}$ in.....	4
	WO-A-2188	HINGE, hood, assembly.....	1
	WO-52168	BOLT, hex-hd., S., $\frac{1}{4}$ -20NC-2 x $\frac{5}{8}$	5
	WO-52167	BOLT, hex-hd., S., $\frac{1}{4}$ -20NC-2 x $\frac{3}{4}$	2
	WO-52031	WASHER, lock, reg., S., $\frac{1}{4}$ in.....	3
	WO-53204	WASHER, lock, S., cd-pltd., internal, external teeth, $\frac{1}{4}$ in.....	6
	WO-52702	WASHER, plain, S., $\frac{1}{4}$ in.....	5
	WO-A-3225	HOOD, assembly (after Willys serial 103545).....	1
	WO-A-2836	HOOD, assembly (before Willys serial 103545).....	1
	WO-A-4680	WEBBING, hood top windshield bumper.....	2
	WO-53103	SCREW, wood, ov-hd., S., No. 6 (0.138) x 1 (webbing to bumper).....	4

.128

.31



Key	Part Name	Ford Part No.	Willys Part No.	Group No.
A	WHEEL.....	FM-GPW-3600-A.....	WO-A-6858.....	1404
B	BUTTON.....	FM-GPW-3627.....	WO-A-634.....	0609B
C	WIPER SET.....	FM-GPW-17500.....	WO-A-11433.....	1811D
D	ARM.....	FM-GP-1103302.....	WO-A-2235.....	1811
E	AMMETER.....	FM-GPW-10850-B.....	WO-A-8186.....	0605
F	HANDLE, assembly.....	FM-GPW-2780.....	WO-A-1242.....	1201
G	CLAMP, assembly.....	FM-GP-1103482-A.....	WO-A-2227.....	1811
H	PLATE.....	FM-GPW-1101621-A.....	WO-A-1334.....	2203
J	PLATE.....	FM-GPW-1101629-A.....	WO-A-11757.....	2203
K	PLATE.....	FM-GPW-1101627-A.....	WO-A-1331.....	2203
L	LEVER.....	FM-GPW-7210-A.....	WO-A-1380.....	0706A
M	LEVER.....	FM-GPW-7710.....	WO-A-1506.....	0805B
N	LEVER.....	FM-GPW-7793.....	WO-A-1505.....	0805B
P	SWITCH.....	FM-9N-11450-A.....	WO-A-7225.....	0606
Q	INDICATOR.....	FM-GPW-10883.....	WO-A-8188.....	0605
R	REST.....	FM-GPW-9716.....	WO-A-1225.....	0303
S	SPEEDOMETER.....	FM-GPW-17255-A.....	WO-A-8180.....	2204
T	PEDAL.....	FM-GPW-9735-B.....	WO-A-6851.....	0303
U	GAGE.....	FM-GPW-9273.....	WO-A-8190.....	0605
V	GAGE.....	FM-GPW-9280.....	WO-A-8184.....	0605
W	PEDAL.....	FM-GPW-2452-B.....	WO-A-8253.....	1204
X	SWITCH.....	FM-GPW-13740.....	WO-A-1333.....	0606
Y	PEDAL.....	FM-GPW-7520.....	WO-A-405.....	0204
Z	TANK.....	FM-GPW-9002-B.....	WO-A-6618.....	0300
AA	EXTINGUISHER.....	FM-GPW-17100.....	WO-A-616.....	N.L.
AB	STRAP.....	FM-GPW-1131414.....	WO-A-2883.....	1804
AC	SWITCH.....	FM-GPW-13532.....	WO-638979.....	0606
AD	SWITCH.....	FM-G8T-11649.....	WO-A-11866.....	0606
AE	MIRROR.....	FM-21CS-17682-B.....	WO-A-2934.....	2202
AF	CONTROL.....	FM-GPW-9775-B.....	WO-A-7517.....	0303A
AG	SWITCH.....	FM-GPW-3686-B.....	WO-A-6811.....	0604C
AH	HOLDER.....	FM-GPW-1153100.....	WO-A-11319.....	1820

RA PD 342288

FIGURE 18-1—FRONT COMPARTMENT AND INSTRUMENT PANEL

GROUP 18--BODY

Figure Number	Official Stock Number	Piece Mark or Part Number		ITEM	Quant. Reqd. per Unit Assy.	Unit Price
		Ford No.	Willys No.			
Col. 1	Col. 2	Col. 3	Col. 4	Col. 5	Col. 6	Col. 7
		FM-GPW-1000000	WO-A-12237	GROUP 18--BODY 1800--BODY	1	
				BODY, assembly (Includes: BOWS, top BRACES BRACKETS CLAMPS COMPARTMENT, glove COMPARTMENT, tool HANDLES LIGHT, tail MIRROR, rear view, outside SEALS SEATS ATTACHING PARTS)		
		FM-GPW-1100001	WO-A-12237	1800A--BODY HANDLES	1	
				BODY, assembly (Includes: FLOORS PANELS)		
		FM-GPW-1129672	WO-A-2389	HANDLE, body, outside, rear corner	2	
		FM-GPW-1129670	WO-A-2390	HANDLE, body, outside front	2	
		FM-20326-S2	WO-51485	BOLT, hex-hd., S, 5/16-18NC-2 x 5/8 (handles to body)	16	
		FM-33797-S2	WO-52350	NUT, hex., S, 5/16-18NC-2	16	
		FM-34806-S2	WO-51840	WASHER, lock, reg., S, 5/16 in.	16	
	H001-1518008	FM-GPW-1154810-A	WO-A-2168	LOOP, footman (on body side panel)	5	.028
		FM-GPW-355836-S7	WO-6352	NUT, mach-screw, hex., S, cd-pltd., No. 10 (0.190)-24NC-2 (loop to sides)	10	
		FM-GPW-355162-S2	WO-6290	SCREW, mach., fl-hd., S, No. 10 (0.190)-24NC-2 x 1/2	10	
		FM-GPW-34803-S7	WO-52221	WASHER, lock, reg., S, cd-pltd., No. 10 (0.190)	10	
		FM-GPW-1152700	WO-A-3216	1800B--TOP	1	
	H017-0501451			DECK TOP		

.0032

.0032

.0032

FM-356016-S	WO-52893	NUT, hex., S., stamped, 3/8-16NC-2	4
FM-34907-S7	WO-53135	WASHER, lock, S., cd-pltd., external teeth, 3/8 in.	4
FM-356200-S7	WO-53026	WASHER, lock, S., cd-pltd., internal, external teeth, 3/8 in.	4
	WO-50921	WASHER, plain, S., 3/8	8
FM-GPW-1111218	WO-A-12017	PAN, rear floor	1
FM-20514-S2	WO-51405	BOLT, hex-hd., S., 3/8-16NC x 1 (to frame, left side)	1
	WO-51954	BOLT, hex-hd., S., 3/8-16NC-2 x 2 (to frame, right side)	1
FM-356016-S	WO-52893	NUT, hex., S., 3/8-16NC-2 (stamped)	1
FM-33799-S	WO-5544	NUT, hex., S., 3/8-16NC-2	1
FM-34907-S7	WO-53135	WASHER, lock, S., cd-pltd., external teeth, 3/8 in.	3
FM-356200-S7	WO-53026	WASHER, lock, S., cd-pltd., internal, external teeth, 3/8 in.	3
	WO-50921	WASHER, plain, S., 3/8 in.	2
FM-GPW-1127847	WO-A-2756	PANEL, body, left side	1
FM-GPW-1127846	WO-A-2757	PANEL, body, right side	1
FM-GPW-1140324	WO-A-2758	PANEL, body, rear	1
	WO-52857	BOLT, hex-hd., S., 3/8-18NC-2 x 1 1/2	2
	WO-52845	NUT, hex., S., 3/8-18NC-2 (stamped)	2
	WO-6167	NUT, hex., S., 3/8-18NC-2	2
FM-356309-S7	WO-33025	WASHER, lock, S., cd-pltd., internal, external teeth, 3/8 in.	4
	WO-A-4116	WASHER, plain, S., 3/8 in.	4
FM-GPW-1102039	WO-A-12011	PANEL, cowl, left side	1
FM-GPW-1102038	WO-A-12010	PANEL, cowl, right side	1
FM-GPW-1102015	WO-A-12105	PANEL, cowl, top	1
	WO-A-12025	PANEL, dash, assembly	1
FM-GPW-1127851	WO-A-12023	PANEL, rear left wheel house, inner	1
FM-GPW-1127849	WO-A-2771	PANEL, rear left wheel house, top	1
FM-GPW-1127850	WO-A-12024	PANEL, rear right wheel house, inner	1
FM-GPW-1127848	WO-A-2772	PANEL, rear right wheel house, top	1
FM-GPW-1103446-A	WO-A-2939	PLATE, tapping, ax clamp	1
FM-GPW-1111238	WO-A-2879	PLATE, tapping, driver's seat, front floor	1
FM-GPW 1102130	WO-A-2190	PLATE, tapping, hood hinge (on cowl)	1
FM-GPW-1128242	WO-A-2940	PLATE, tapping, shovel clamp	2
FM-358019-S	WO-A-5120	PLUG, body drain hole cover (pipe, slotted, 1/4 in.)	2
FM-GPW-1162606	WO-A-3144	REST, foot, rear floor assembly	2
FM-20326-S2	WO-51485	BOLT, hex-hd., S., 3/8-18NC x 5/8 (to wheel house panel)	3
FM-20346-S2	WO-51523	BOLT, hex-hd., S., 3/8-18NC x 3/4 (to floor pan)	1
FM-33797-S	WO-6167	NUT, hex., S., 3/8-18NC-2	4
FM-34806-S2	WO-51840	WASHER, lock, reg., S., 3/8 in.	4
FM-34746-S2	WO-52274	WASHER, plain, S., 3/8 in.	4
FM-GPW-1140447	WO-A-2470	RETAINER, engine crank	2
FM-GPW-1111155	WO-A-3222	RISE, front to rear floor pan, assembly	1
	WO-51406	BOLT, hex-hd., S., 3/8-16NC-2 x 1 1/4	2
FM-356016-S	WO-52893	NUT, hex., S., 3/8-16NC-2 (stamped)	2
FM-33799-S	WO-5544	NUT, hex., S., 3/8-16NC-2	2
FM-34907-S7	WO-53135	WASHER, lock, S., cd-pltd., external teeth, 3/8 in.	4
FM-356200-S7	WO-53026	WASHER, lock, S., cd-pltd., internal, external teeth, 3/8 in.	4
	WO-50921	WASHER, plain, S., 3/8 in.	4

H001-1518008

GROUP 18—BODY (Cont'd)

Figure Number	Official Stock Number	Piece Mark or Part Number		ITEM	Quant. Reqd. per Unit Assy.	Unit Price
		Ford No.	Willys No.			
Col. 1	Col. 2	Col. 3	Col. 4	Col. 5	Col. 6	Col. 7
1802A—BODY PANELS (Cont'd)						
		FM-27068-S	WO-52236	SCREW, mach., fl.-hd., S., No. 10 (0.190)-24NC-2 x 3/8 (footman loop hole plug cap)	2	
		FM-GPW-1128244	WO-A-2968	SHEATH, ax.	1	
			WO-A-2837	SILL, cross, front floor pan, left, assembly (Willys only)	1	
		FM-GPW-1110610	WO-A-2838	SILL, cross, front floor pan, right, assembly	1	
		FM-GPW-1110625	WO-A-2935	SILL, cross, front floor pan, rear, assembly	1	
		FM-GPW-1110750	WO-A-2948	SILL, cross, rear floor pan	1	
		FM-GPW-1128286	WO-A-2325	STRAINER, body side panel to wheel house	1	
		FM-GPW-1144620	WO-A-3120	SUPPORT, rear body to frame, inner	2	
		FM-GPW-1144606	WO-A-2336	SUPPORT, rear body to frame, outer	2	
1803—FLOOR MATS AND SEALS						
		FM-GPW-1112110	WO-A-2982	COVER, floor, transmission	1	.0117
	H001-1518007	FM-24308-S2	WO-52170	BOLT, hex-hd., S., 1/4-20NC x 1/2 (to floor pan)	7	
		FM-34805-S2	WO-52706	WASHER, lock, reg, S., 1/4 in.	7	
		FM-GPW-1112115	WO-A-2990	COVER, inspection, floor, brake cylinder	1	
		FM-24308-S2	WO-52170	BOLT, hex-hd., S., 1/4-20NC x 1/2	5	
		FM-34805-S2	WO-52706	WASHER, lock, reg, S., 1/4 in.	5	
		FM-GPW-1111331	WO-A-2759	COVER, rear floor pan, left, shock absorber, assembly	1	
		FM-GPW-1111330	WO-A-2760	COVER, rear floor pan, right, shock absorber, assembly	1	
		FM-GPW-1111162	WO-A-4592	COVER, trailer electric plug housing (after Willys serial 200679)	1	
		FM-GPW-1101735-A	WO-A-3784	GROMMET, floor, transfer shift lever (rubber)	1	.358
			WO-12055	PLATE, floor seal, dimmer switch (Willys only)	1	
		FM-GPW-1112119	WO-A-2919	RING, floor, gearshift lever housing cover	1	
		FM-20344-S2	WO-52167	BOLT, hex-hd., S., 1/4-20NC-2 x 3/4	1	
		FM-32866-S2	WO-52142	SCREW, binding hd., S., No. 10 (0.190) x 5/8	1	
		FM-GPW-1112158	WO-A-2917	RING, floor seal, steering column	3	
		FM-32924-S7	WO-52809	SCREW, binding hd., S., cd-pltd., No. 10 (0.190) x 1/2	4	
		FM-GPW-1112117	WO-A-2918	RING, floor, transmission shift lever grommet	1	
		FM-20344-S2	WO-52167	BOLT, hex-hd., S., 1/4-20NC-2 x 3/4	2	
		FM-32866-S2	WO-52142	SCREW, binding hd., S., No. 10 (0.190) x 5/8	3	.179
		FM-GPW-1111520-A	WO-A-3782	SEAL, floor, accelerator pedal rod	1	.0202
		FM-GPW-111137-A	WO-A-2932	SEAL, floor, brake cylinder inspection cover	1	.043
		FM-GPW-1111299-A	WO-A-3116	SEAL, floor, fuel line hole	1	.285
		FM-GPW-1111286-A	WO-A-3783	SEAL, floor gearshift lever housing cover (rubber)	1	
			WO-A-12054	SEAL, floor, headlight foot switch (Willys only)	1	

FM-GPW-11514-A	WO-A-2992	SEAL, floor, starter switch	1	.0049
FM-GPW-1101698-A	WO-A-2931	SEAL, floor, steering column	1	.0134
FM-GPW-9082-A	WO-A-3207	SEAL, fuel tank stone guard, front	1	
FM-GPW-9085-A	WO-A-3208	SEAL, fuel tank stone guard, left	1	
FM-GPW-9083-A	WO-A-3209	SEAL, fuel tank stone guard, rear	1	
FM-GPW-9071	WO-A-3206	SEAL, fuel tank stone guard, right	1	
FM-GPW-1112116-A	WO-A-2994	SEAL, floor, transmission cover	1	.0823
FM-GPW-1102330-A	WO-A-3943	SEAL, glove compartment door (after serial 120697)	1	
FM-GPW-8155	WO-A-3173	SEAL, radiator side air deflector, left (before Willys serial 125809)	1	
	WO-A-3575	SEAL, radiator side air deflector to radiator (after Willys serial 125809) (Willys only)	1	
	WO-A-3182	SEAL, radiator side air deflector to radiator, right (before Willys serial 125809) (Willys only)	1	
FM-GPW-8222	WO-A-2979	SEAL, radiator top air deflector (before Willys serial 125809)	1	
FM-GPW-8166	WO-A-3574	SEAL, radiator top air deflector to radiator (after Willys serial 125809)	1	
1804--SEATS				
	WO-A-2983	BOLT, anchor, safety strap ($\frac{3}{8}$ -16NC-2)	2	.0833
	WO-6169	NUT, hex, S, $\frac{3}{8}$ -16NC-2	2	
	WO-51304	WASHER, lock, reg, S, $\frac{3}{8}$ in.	2	
	WO-A-2453	BRACKET, front seat pivot (passenger)	2	
	WO-51561	RIVET, rd-hd, S, $\frac{3}{8}$ x $\frac{1}{16}$	2	
	WO-A-2515	BRACKET, front seat, rear stop	2	
	WO-A-2833	BRACKET, pivot, rear seat frame	2	
	WO-A-2787	BRACKET, retaining, rear seat back frame	2	
	WO-52217	NUT, hex, S, $\frac{1}{4}$ -20NC-2 (brkt. to body)	4	
	WO-52706	WASHER, lock, reg, S, $\frac{1}{4}$ in.	4	
	WO-52702	WASHER, plain, S, $\frac{1}{4}$ in.	4	
	WO-A-2886	FRAME, front seat, assembly (driver)	1	
	WO-5922	BOLT, hex-hd, S, $\frac{5}{16}$ -24NPF-2 x $1\frac{1}{8}$ (frame to wheel house top panel)	1	
	WO-51523	BOLT, hex-hd, S, $\frac{5}{16}$ -18NC-2 x $\frac{3}{4}$ (frame to floor)	2	
	WO-6167	NUT, hex, S, $\frac{5}{16}$ -18NC-2 (frame to floor)	3	
	WO-15840	WASHER, lock, reg, S, $\frac{5}{16}$ in.	1	
	WO-5437	WASHER, plain, S, $\frac{5}{16}$ in.	1	
	WO-71633	WASHER, S (special), $\frac{5}{16}$ in. (frame to floor)	2	.0012
	WO-A-2925	FRAME, front seat, back assembly (passenger)	1	
	WO-51523	BOLT, hex-hd, S, $\frac{5}{16}$ -18NC-2 x $\frac{3}{4}$ (to floor pan)	2	
	WO-6167	NUT, hex, S, $\frac{5}{16}$ -18NC-2	2	
	WO-51840	WASHER, lock, reg, S, $\frac{5}{16}$ in.	2	
	WO-71633	WASHER, S (special), $\frac{5}{16}$ in.	2	
	WO-A-2782	FRAME, rear seat, assembly	1	
	WO-A-2783	FRAME, rear seat back, assembly	1	
	WO-A-2607	NUT, tee, S, $\frac{5}{16}$ -24NPF-2 (in driver's seat frame)	1	
	WO-A-2466	NUT, wing, S, $\frac{5}{16}$ -18NC-2 x 1 (on rear seat for tire pump) (after Willys serial 193040)	1	
	WO-A-2910	PANEL, front seat body side crash pad, left, assembly	1	.0012

1804--SEATS

GROUP 18—BODY (Cont'd)

Figure Number	Official Stock Number	Piece Mark or Part Number		ITEM	Quant. Reqd. per Unit Assy.	Unit Price
		Ford No.	Willys No.			
Col. 1	Col. 2	Col. 3	Col. 4	Col. 5	Col. 6	Col. 7
				1804—SEATS (Cont'd)		
		FM-GPW-1162180	WO-A-2911	PANEL, front seat body side crash pad, right, assembly	1	
		FM-355900-S2	WO-654934	NUT, tee, S, 1/4-20NF-2 (on crash pads)	8	
		FM-36868-S2	WO-51539	SCREW, mach, rd-hd, 1/4-20NC-2 x 3/4 (pads to side panels)	8	
	H001-1518007	FM-34805-S2	WO-52706	WASHER, lock, reg, S, 1/4 in.	8	
		FM-GPW-1162410	WO-A-2945	RETAINER, rear seat pivot tube	2	
		FM-20308-S2	WO-52170	BOLT, hex-hd, S, 1/4-20NC-2 x 1/2	2	
		FM-33799-S2	WO-52217	NUT, hex, S, 1/4-20NC-2	2	
	H001-1518007	FM-34805-S2	WO-52706	WASHER, reg, S, 1/4 in.	2	
		FM-GPW-17055	WO-A-4518	RETAINER, tire pump handle (after Willys serial 19340)	1	
		FM-GPW-17079	WO-A-4516	RETAINER, tire pump foot (after Willys serial 193040)	1	
		FM-GPW-1161302	WO-A-2830	SPRING, retaining, rear seat frame	2	.127
		FM-20308-S2	WO-52170	BOLT, hex-hd, S, 1/4-20NC-2 x 1/2 (spring to wheel house panel)	4	
		FM-33795-S2	WO-52217	NUT, hex, S, 1/4-20NC-2	4	
		FM-34805-S2	WO-52031	WASHER, lock, reg, S, 1/4 in.	4	
	H001-1518007	FM-GPW-1131414	WO-A-2883	STRAP, safety, assembly	2	1.102
			WO-A-3029	SUPPORT, rear seat frame to wheel house (Willys only)	2	
				1804A—CUSHIONS		
			WO-A-11729	BACK, front seat, assembly	2	
			WO-A-11931	BACK, rear seat, assembly	1	
			WO-A-2986	CUSHION, front seat, assembly (driver and passenger) (superseded by CUSHION, assembly, WO-A-11730)	2	
			WO-A-11730	CUSHION, front seat, assembly (supersedes CUSHION, assembly, FM-GPW-1162900-B, WO-A-2986)	2	
		FM-355836-S7	WO-52651	NUT, mach-screw, hex, S, cd-pltd, No. 10 (0.190)-24NC-2	10	
			WO-50814	SCREW, mach, fl-hd, S, No. 10 (0.190)-24NC-2 x 1/2	10	
		FM-34803-S2	WO-52221	WASHER, lock, reg, S, No. 10 (0.190)	10	
			WO-A-11732	CUSHION, rear seat, assembly	1	
			WO-52990	SCREW, ck, ov-hd, S, No. 10 (0.190) x 1/2	32	
			WO-52968	WASHER, ck, S, No. 10 (0.190)	34	
			WO-A-2788	FRAME, rear seat cushion, assembly	1	
			WO-A-3114	PAD, crash, front seat body side, left, assembly	1	
			WO-A-3115	PAD, crash, front seat body side, right, assembly	1	
			WO-A-3107	SEAT, trimmed, front, assembly	1	
			WO-A-3108	SEAT, trimmed, rear, assembly	1	

18-1

WO-A-3980		SPRING, front seat back assembly	2
WO-A-3984		SPRING, front seat body side crash pad, left, assembly	1
WO-A-3985		SPRING, front seat body side crash pad, right, assembly	1
WO-A-3981		SPRING, front seat cushion, assembly (driver and passenger)	2
WO-A-3982		SPRING, rear seat back, assembly	1
WO-A-3983		SPRING, rear seat cushion, assembly	1
1809—INSTRUMENT PANEL AND MOUNTING PARTS			
WO-A-3155		BRACE, instrument panel, circuit breaker, w/BRACKET, assembly	1
WO-5247		RIVET, rd-hd., S., 1/4 x 3/8	2
WO-A-1765		PAD, dash panel	1
WO-A-3005		PANEL, dash, assembly	1
WO-A-3578		PANEL, instrument, assembly	1
1809A—COMPARTMENT AND PARTS			
WO-A-3536		BOLT, glove compartment lock (after 20,700 Willys trucks up to 37,914 Willys trucks)	1
WO-A-3531		CASE, glove compartment lock, assembly (after 20,700 Willys trucks up to 37,914 Willys trucks)	1
WO-A-3652		CUP, retaining, glove compartment door lock (after 20,700 Willys trucks up to 37,914 Willys Trucks)	1
WO-53020		SCREW, mach., fil-hd., S., cd-pltd., No. 6 (0.138)-32NC-2 x 5/16 cup to lock) (after 37,914 Willys trucks)	2
WO-52614		WASHER, lock, reg., S., cd-pltd., No. 6 (0.138)	2
WO-A-3532		CYLINDER, glove compartment lock, assembly (after 20,700 Willys trucks up to 37,914 Willys trucks)	1
WO-A-3434		DOOR, glove compartment, w/HINGE, assembly (after Willys serial 120698, up to serial Willys 137909)	1
WO-A-3835		DOOR, glove compartment, w/HINGE, assembly (after Willys serial 137909)	1
WO-A-3436		HINGE, glove compartment door, assembly (after Willys serial 120698)	1
WO-6352		NUT, mach-screw, S., cd-pltd., No. 10 (0.190)-24NC-2	3
WO-5182		SCREW, mach., rd-hd., S., No. 10 (0.190)-24NC-2 x 3/8 (hinge to panel)	3
WO-52221		WASHER, lock, reg., S., No. 10 (0.190)	3
WO-A-3823		LOCK, glove compartment door, assembly (after 37,914 Willys trucks)	1
WO-A-3537		NUT, glove compartment door lock (hex., S., cd-pltd., thin, 3/4-28NF) (after 20,700 Willys trucks up to 37,914 Willys trucks)	1
WO-A-3538		PLATE, tapping, glove compartment hinge (after Willys serial 120697)	1
WO-A-3818		STRIKER, glove compartment door lock (after Willys serial 137909)	1
WO-5182		SCREW, mach., rd-hd., S., No. 10 (0.190)-24NC-2 x 3/8	1
WO-52221		WASHER, lock, reg., S., No. 10 (0.190)	1
WO-52220		WASHER, plain, S., No. 10 (0.190)	1
1811—WINDSHIELD ASSEMBLY			
WO-A-2235		ARM, adjusting, windshield	2
WO-A-2485		BOLT, windshield clamp bracket (hex-hd., S., 1/4-20NC-2 x 1 1/16) (AN-X-1754)	4

GROUP 18—BODY (Cont'd)

Figure Number	Official Stock Number	Piece Mark or Part Number		ITEM	Quant. Reqd. per Unit Assy.	Unit Price
		Ford No.	Willys No.			
Col. 1	Col. 2	Col. 3	Col. 4	Col. 5	Col. 6	Col. 7
				1811—WINDSHIELD ASSEMBLY (Cont'd)		
		FM-GP-1103310	WO-A-4300	BRACKET, windshield adjusting arm, w/BUSHING, assembly	2	.16
		FM-GPW-1103050	WO-A-2798	BRACKET, windshield mounting clamp catch	2	.0098
		FM-36046-S2	WO-52963	SCREW, fl-hd., S, 1/4-20NC-2 x 3/4	4	
		FM-GPW-1103162	WO-A-2213	BRACKET, windshield pivot, assembly	2	.161
		FM-355449-S2	WO-51485	BOLT, hex-hd., S, 5/16-18NC-2 x 5/8 (to cowl)	4	.125
		FM-33797-S2	WO-6167	NUT, hex., S, 5/16-18NC-2	4	
	H001-1518008	FM-34807-S2	WO-51840	WASHER, lock, reg., S, 5/16 in.	4	
		FM-GPW-1103304	WO-A-2232	BRACKET, windshield swing arm, w/STUD (5/16-18NC-2)	2	.168
	3320-GPW-1103027	FM-GPW-1103027	WO-A-2989	CATCH, hold-down, windshield, assembly (before Willys serial 103545) (Willys only)	2	
		FM-20324-S2	WO-A-3197	CATCH, hold-down, windshield, assembly (after Willys serial 103545)	2	.128
		FM-33795-S2	WO-52168	BOLT, hex-hd., S, 1/4-20NC-2 x 5/8 (catch to hood top panel)	4	
		FM-34805-S2	WO-52217	NUT, hex., S, 1/4-20NC-2	4	
		FM-34745-S2	WO-52706	WASHER, lock, reg., S, 1/4 in.	4	.0446
	H001-1518007	FM-GPW-1103488	WO-A-2791	WASHER, plain, S, 1/4 in.	4	.0116
		FM-GPW-1151289	WO-A-2501	CHAIN, windshield thumb screw	2	.798
		FM-GP-1103482-A	WO-A-2227	CLAMP, windshield, assembly	2	
		FM-352692-S15	WO-A-4120	FASTENER, windshield curtain (top to windshield) (CNC-519)	10	
	3320-GP-1103014	FM-GP-1103014	WO-A-12759	FRAME, windshield, w/GLASS, assembly (Note I)	1	
		FM-34176-S2	WO-A-2226	FRAME, windshield, w/GLASS, assembly	1	
		FM-38192-S2	WO-A-2481	NUT, mach. screw, hex., br., No. 10 (0.190)-32NF-2 (std. acorn) (AN-X-1751)	3	
		FM-38259-S2	WO-A-2482	SCREW, mach. rd-hd., I., No. 8 (0.164)-32NC-2 x 1/16 (AN-X-598)	4	
		FM-34802-S2	WO-A-2480	SCREW, mach. special, rd-hd., S, No. 10 (0.190)-32NF-2 x 1/8 (AN-X-1750)	3	
	H001-1518004	FM-GP-1103100	WO-52705	WASHER, lock, reg., S, No. 8 (0.164)	4	
	3320-GP-1103100	FM-GP-1103100	WO-A-2478	GLASS, windshield	2	.0833
		FM-GP-1103350	WO-A-4303	HANDLE, windshield frame	1	.0559
		FM-B-45482-C	WO-A-2238	KNOB, windshield adjusting arm (5/16-18NC-2)	2	
		FM-GP-1103334	WO-A-2234	LOOP, hold-down, windshield	2	
		FM-34176-S2	WO-A-2481	NUT, windshield frame screw (hex., br., No. 10 (0.190)-32NF-2 std. acorn) (AN-X-1751)	3	
			WO-A-2301	PANEL, windshield, outer (before Willys serial 103544)	1	
			WO-A-3190	PANEL, windshield, outer (after Willys serial 103544)	1	
			WO-A-12756	PIECE, windshield frame upper cross, assembly (Note I)	1	
		FM-GPW-1103446-A	WO-A-2939	PLATE, tapping, windshield clamp catch	2	
		FM-GPW-1103028	WO-A-3203	RETAINER, windshield hold-down catch (BA-B-194) (after Willys serial 103545)	2	
		FM-GPW-16892	WO-A-2386	RETAINER, windshield hold-down catch (before Willys serial 103545)	2	
		FM-20308-S7	WO-51514	BOLT, hex-hd., S, cd-pltd., 1/4-20NC-2 x 5/8 (retainer to hood)	4	

H001-1518007	FM-33795-S	WO-5790	NUT, hex., S, 1/4"-20NC-2	4
	FM-34745-S2	WO-52702	WASHER, plain, S, 1/4 in.	4
	FM-34805-S2	WO-52706	WASHER, lock, reg, S, 1/4 in.	4
3320-81W-811189	FM-GPW-1151297	WO-A-3189	RING, windshield thumb screw chain	4
	FM-81W-811189		SCREW, pivot, windshield adjusting arm (rd-hd., S, 1/4"-28NF-2 x 0.47) (superseded by SCREW, FM-C8T-8103074-B, WO-A-2239)	2
	FM-C8T-8103074-B	WO-A-2239	SCREW, pivot, windshield adjusting arm (AN-X-1747) (supersedes SCREW, FM-81W-811189)	2
3320-99W-8103311	FM-33249-S2	WO-A-2487	SCREW, windshield bracket (ov-ck-hd., S, No. 10 (0.190) x 1/2, type "Z") (AN-X-1755)	4
	FM-38259-S2	WO-A-2480	SCREW, windshield frame (special, rd-hd., S, No. 10 (0.190)-32NF-2 x 1/8) (AN-X-1750)	4
	FM-38192-S2	WO-A-2482	SCREW, windshield frame, corner (rd-hd., I., No. 8 (0.164)-32NC x 1/16) (AN-X-598)	4
	FM-355449-S2	WO-A-2214	SCREW, windshield pivot, thumb (mall. I., 3/8-24)	2
	FM-99W-8103311	WO-A-2483	SPACER, windshield adjusting arm (S, 2 1/8 O.D. x 2 3/4 I.D.) (AN-S-384)	2
	FM-356361-S	WO-A-4260	WASHER, spring, windshield adjusting arm (S, 0.56 O.D. x 0.34 I.D.) (AN-S-1044)	4
	FM-356286-S	WO-A-2490	WASHER, windshield adjusting arm (0.688 O.D. x 0.349 I.D. x 0.067 thk.) (AN-X-1637)	6
	FM-34805-S2	WO-52706	WASHER, windshield clamp bracket screw (lock, reg, S, 1/4 in.) (AN-X-1700)	4
	FM-356373-S2	WO-A-2220	WASHER, windshield pivot spring (S, 1 in. O.D. x 2 1/2 I.D. x 0.015 thk., 3/8 crown)	4
3320-GP-1103010	FM-GP-1103010	WO-A-2796	WINDSHIELD, assembly (before Willys serial 103545) (includes: ARMS, BRACKETS, CLAMPS, GLASS and ATTACHING PARTS)	1
		WO-A-3210	WINDSHIELD, assembly (after Willys serial 103545) (includes: ARMS, BRACKETS, CLAMPS, GLASS and ATTACHING PARTS)	1
		WO-A-12761	FRAME, windshield, assembly (Note 1)	1
	FM-GPW-1103030	WO-A-2246	FRAME, windshield, lower, assembly	1
	FM-GP-1103020	WO-A-2255	FRAME, windshield, upper, assembly	1
	FM-GPW-1103268	WO-A-2776	FRAME, windshield, tubular (before Willys serial 103545) (Willys only)	1
		WO-A-3204	FRAME, windshield, tubular (after Willys serial 103545)	1
		WO-A-12760	FRAME, windshield, tubular, assembly (Note 1)	1
3320-GP-1103106	FM-GP-1103106	WO-A-2479	PADDING, windshield glass (Everseal, 1 1/8 in. x 73 in.)	2
	FM-GP-1103110	WO-A-2250	WEATHERSTRIP, windshield	1
	FM-GPW-1103080-A	WO-A-2476	WEATHERSTRIP, windshield frame to cowl	1
	FM-33184-S2	WO-A-2489	SCREW, windshield to cowl weatherstrip (S, binding hd., sheet metal type "Z" No. 10 (0.190) x 1/2)	15
		WO-A-12865	ARM, adjustable, windshield wiper, assembly (Note 1)	2
		WO-663369	NUT, windshield wiper arm to shaft (Note 1)	2
G503-7002982	FM-GP-17535	WO-A-2512	ARM, windshield wiper, w/BLADE, assembly (includes RIVET)	2
		WO-A-11519	ARM, windshield wiper, w/CLIP, assembly	2
G503-7002981	FM-GP-17528	WO-A-4687	BLADE, windshield wiper	2
		WO-A-12864	BLADE, windshield wiper (B-209586-B) (Note 1)	2
	FM-GPW-13434-A	WO-345961	GROMMET, rubber, windshield wiper tube through cowl	1
	FM-GP-17531	WO-A-2513	HANDLE, windshield wiper, inner, w/KNOB, assembly	2

Note 1—For vehicles equipped with vacuum windshield wiper.

GROUP 18—BODY (Cont'd)

Figure Number	Official Stock Number	Piece Mark or Part Number		ITEM	Quant. Reqd. per Unit Assy.	Unit Price
		Ford No.	Willys No.			
Col. 1	Col. 2	Col. 3	Col. 4	Col. 5	Col. 6	Col. 7
18-1	G503-7036573 8800-728-2 G503-7002980	FM-GPW-17526	WO-A-11432	1811D—WINDSHIELD WIPER ARMS AND BLADES (Cont'd) HANDLE, windshield wiper, w/tie ROD, assembly (TRI-80540) NUT, hex, S, No. 12 (0.216)-24NF-2 WASHER, lock, S, No. 12 (0.216) (.266 I.D. x 1/8 thk.) (TRI-2328) WASHER, windshield wiper handle to frame (S, 1 1/2 O.D. x 3/8 I.D. x 0.032 thk.) RIVET, S, tubular, ov-hd., type "A" (blade to arm) WIPER, windshield, assembly WIPER SET, windshield (tandem) (includes: ARM w/BLADE, assembly, HANDLE w/ROD, assembly, NUT, and WASHERS)	2	.0508
		FM-34054-S2	WO-A-2588			
		FM-34824-S2	WO-A-2587			
		FM-351303-S2	WO-A-2584			
		FM-63848-S	WO-53243			
		FM-GP-17500	WO-A-2586			
		FM-GPW-17500	WO-A-11433			
		WO-A-1265	WO-A-1265		1811D-1—VACUUM WINDSHIELD WIPER BUSHING, reducing, 1/4 to 1/8, 1/8 pipe thd. (in intake manifold) CLIP, 1/4 in., wiper tubing to windshield frame SCREW, sheet metal, rd-hd., S, No. 10 (.190) x 1/2 DRIVER, windshield wiper arm, knurled HOSE, windshield wiper tubing to tee (3 in. lgh.) HOSE, windshield wiper tubing to tee (5 1/4 in. lgh.) HOSE, windshield wiper tubing to engine (15 1/2 in. lgh.) MOTOR, vacuum, windshield wiper SCREW, rd-hd., mach., S, No. 10 (.190)-32NF-2 x 1/2 (motor to frame) WASHER, lock, S, No. 10 (.190) NUT, 1/4 inverted flared tube, windshield wiper tube to manifold TEE, windshield wiper motor connecting TUBING, windshield wiper, upper TUBING, windshield wiper TUBING, windshield wiper, intake manifold, assembly UNION, 1/4 in. inverted flared tube connector, 1/8 pipe thread	
		WO-78316	WO-78316			
		WO-52809	WO-52809			
		WO-A-12863	WO-A-12863			
		WO-A-12752	WO-A-12752			
WO-A-12753	WO-A-12753					
WO-663365	WO-663365					
WO-663366	WO-663366					
WO-52213	WO-52213					
WO-52221	WO-52221					
WO-384568	WO-384568					
WO-A-12751	WO-A-12751					
WO-A-12750	WO-A-12750					
WO-A-12755	WO-A-12755					
WO-640527	WO-640527					
WO-387891	WO-387891					
FM-GPW-1146152	FM-GPW-1146152	1817—TOOL BOX BRACKET, tool compartment lock, assembly FRAME, tool compartment, left FRAME, tool compartment, right HINGE, tool compartment lid, assembly (before Willys serial 118599) HINGE, tool compartment lid, assembly (after Willys serial 118599) LID, tool compartment, w/HINGE, assembly (before Willys serial 118599)	1	1.21		
WO-A-3198	WO-A-3198					
WO-A-2774	WO-A-2774					
WO-A-2775	WO-A-2775					
WO-A-2811	WO-A-2811					
WO-A-3226	WO-A-3226					
FM-GPW-1146132	FM-GPW-1146132	WO-A-2810	4			

Key	Part Name	Willlys Part No.	Group Number
A	WINCH, assembly	WO-A-9215	2000
B	ROD	WO-A-9196	2003
C	SPACER	WO-A-10285	1601B
D	CLIP	WO-A-8578	1602
E	SPRING, assembly	WO-A-8463	1601
F	BRACKET	WO-A-10282	2001
G	SCREW	WO-A-10397	2001

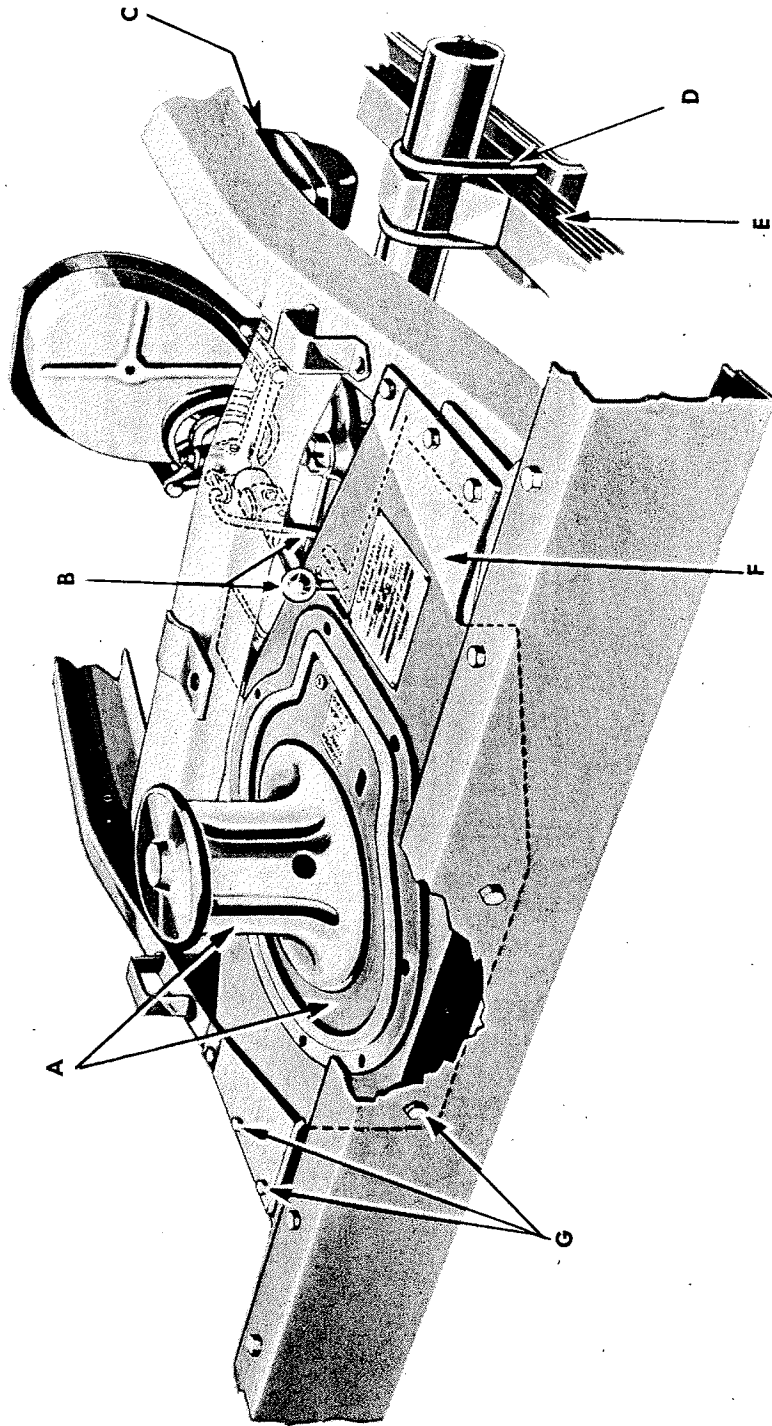


FIGURE 20-1—CAPSTAN WINCH—INSTALLED VIEW

GROUP 20—CAPSTAN WINCH

Figure Number	Official Stock Number	Piece Mark or Part Number		ITEM	Quant. Reqd. per Unit Assy.	Unit Price
		Ford No.	Willlys No.			
Col. 1	Col. 2	Col. 3	Col. 4	Col. 5	Col. 6	Col. 7
				<p>GROUP 20—CAPSTAN WINCH</p> <p>2000—WINCH ASSEMBLY</p>	1	
				<p>KIT, field, capstan winch.</p> <p>(Consists of:</p> <ul style="list-style-type: none"> 1 BAG, winch spare parts 4 BOLT, axle bumper spacer (hex-hd., $\frac{5}{16}$-24NF-2 x $1\frac{3}{4}$) 3 BOLT, mounting, winch support bracket (hex-hd., $\frac{3}{8}$-24NF-2 x $\frac{7}{8}$) 8 BOLT, mounting, winch plate (hex-hd., S., $\frac{3}{8}$-24NF-2 x $1\frac{3}{8}$) 1 BRACKET, mounting, winch, assembly 1 BRACKET, support, winch drive, assembly 3 CLIP, front spring (see Group 1601) 1 CLIP, front spring (see Group 1601) 1 CRANK, bell, drag link, front (see group 1401) 1 CRATE, shipping, capstan winch field kit 1 HANDLE, winch shift rod 1 HUB, winch drive shaft, assembly 1 INSTRUCTION, installation, capstan winch field kit 1 KEY, Woodruff, No. 7 1 qt. LUBRICANT, winch drive 1 NUT, engine crankshaft pulley 8 NUT, winch plate mounting bolt (hex. $\frac{3}{8}$-24NF-2) 8 NUT, winch, bracket mounting screw (hex. $\frac{1}{4}$-20NC-2) 2 PIN, cotter, $\frac{3}{16}$ x $\frac{7}{8}$ 1 PIN, cotter, $\frac{1}{8}$ x $1\frac{1}{2}$ (drag link bell crank) 4 PIN, cotter, $\frac{1}{8}$ x $1\frac{1}{2}$ (spare drive shaft shear pins) 1 PIN, cotter, $\frac{3}{16}$ x $\frac{3}{4}$ (winch shift rod) 1 PIN, shaft, assembly to winch, assembly 1 PULLEY, drive, fan 1 ROD, shift, winch 100 ft. ROPE, $\frac{3}{4}$ in. 1 SCREW, set, hex., socket type 8 SCREW, mounting, winch mounting bracket (fl-hd., $\frac{1}{4}$-20NC-2 x $\frac{7}{8}$) 1 SHAFT, drive, winch, assembly 1 SHAFT, winch spine 2 SPACER, axle bumper 2 SPACER, front bumper gusset 		
			<p>WO-A-9232</p> <p>WO-A-5113</p> <p>WO-50922</p> <p>WO-53038</p> <p>WO-A-10397</p> <p>WO-A-10282</p> <p>WO-A-10284</p> <p>WO-A-8578</p> <p>WO-A-8289</p> <p>WO-A-5691</p> <p>WO-A-9233</p> <p>WO-A-971</p> <p>WO-A-9211</p> <p>WO-A-10394</p> <p>WO-53356</p> <p>WO-A-10312</p> <p>WO-638513</p> <p>WO-52542</p> <p>WO-52217</p> <p>WO-5152</p> <p>WO-52527</p> <p>WO-5397</p> <p>WO-50968</p> <p>9680-A-9201</p> <p>9680-A-9205</p> <p>9680-A-9196</p> <p>WO-A-102866</p> <p>WO-53355</p> <p>WO-51986</p> <p>WO-A-9202</p> <p>WO-A-9214</p> <p>WO-A-10285</p> <p>WO-A-1120</p>			

GROUP 20—CAPSTAN WINCH (Cont'd)

Figure Number	Official Stock Number	Piece Mark or Part Number		ITEM	Quant. Req'd. per Unit Assy.	Unit Price
		Ford No.	Willlys No.			
Col. 1	Col. 2	Col. 3	Col. 4	Col. 5	Col. 6	Col. 7
2000—WINCH ASSEMBLY (Cont'd)						
				KIT, field capstan winch (Cont'd)		
	9680-A-9194		WO-A-10370	6 SPACER, mounting plate to frame (use with Ford installation)		
	3320-GPW-5311-B		WO-A-9194	3 SPACER, winch drive		
	3320-GPW-5310-B	FM-GPW-5311-B	WO-A-8463	1 SPRING, front left, assembly (see Group 1601)		
		FM-GPW-5310-B	WO-A-8464	1 SPRING, front right, assembly (see Group 1601)		
			WO-A-10339	1 TAG, caution, winch lubrication		
			WO-53084	8 WASHER, winch mounting bracket mounting screw (1/4 in.)		
			WO-52046	11 WASHER, winch plate to frame screw (3/8 in.)		
			WO-53032	2 WASHER, plain 3/8 in. (use with Ford installation)		
			WO-A-9215	1 WINCH, capstan, assembly (as furnished by U.S. ORDNANCE)		
			WO-A-10287	1 WINCH, capstan, w/drive SHAFT, assembly		
20-1	9680-A-9215		WO-A-9215	WINCH, capstan, assembly (as furnished by U.S. ORDNANCE and re-worked by Willys)	1	
			WO-A-10287	WINCH, capstan, w/drive SHAFT, assembly (includes worm GEAR and thrust WASHERS)	1	
			WO-52217	NUTS, hex., S., 1/4-20NC-2 (winch to bracket screw)	8	
			WO-51986	SCREW, fl-hd., mach., S., 1/4-20NC-2 x 1/8 (winch to bracket)	8	
			WO-53084	WASHER, lock, S., 1/4 in. (winch to bracket screw)	8	
2001—WINCH PARTS AND WINCH DRIVE SHAFTS						
			WO-635838	BALL, poppet, winch drive support bracket	1	
20-1, 2			WO-A-10282	BRACKET, mounting, capstan winch, assembly	1	
20-1			WO-A-10397	BOLT (hex-hd., S., 3/8-24NF-2 x 1 3/8)	8	
			WO-52542	NUT, hex., S., 3/8-24NF-2	8	
			WO-52046	WASHER, lock, S., 3/8 in.	8	
20-2			WO-A-10284	BRACKET, support winch drive, w/BUSHING, assembly (includes: poppet BALL, Alemite FITTINGS, shift FORK, shift RAIL and poppet SPRING)	1	
			WO-9210	Alemite FITTINGS, support winch drive, w/BUSHING, assembly	1	
20-2	9680-A-9210		WO-53038	BRACKET, support winch drive, w/BUSHING, assembly	1	
20-2	H001-5421245		WO-52046	BOLT, hex-hd., S., 3/8-24NF-2 x 7/8	3	
			WO-A-9208	WASHER, lock, S., 3/8 in.	3	
			WO-638792	BUSHING, winch shaft	2	
			WO-640038	FITTING, Alemite, winch drive support bracket	1	
			WO-A-9211	FITTING, Alemite, winch drive support bracket	1	
			WO-A-10315	HUB, winch drive shaft, w/hub PIN, assembly	1	
20-2	9680-A-9211		WO-A-10315	GASKET, housing, winch drive	1	

20-3	9680-A-10302	WO-A-10302	GEAR, worm, capstan winch.....	1
20-3	9680-A-9157	WO-A-9157	JOINT, universal, winch, drive shaft, front, assembly.....	1
20-3	9680-A-9158	WO-A-9158	JOINT, universal, winch, drive shaft, rear, assembly.....	1
20-3		WO-53356	KEY, Woodruff, No. 7.....	1
20-3		WO-53355	SCREW, set, hex-socket, S, 5/16-24NF-2 (GM-139091).....	1
20-3		WO-5134	PIN, shear, (cotter S, 1/8 x 1 3/4).....	1
		WO-A-9212	PIN, drive, winch drive shaft hub.....	3
		WO-A-10300	PIN, winch drive shaft thrust washer.....	1
20-2	9680-A-9202	WO-A-9202	SHAFT, drive, capstan winch, w/universal JOINTS, assembly.....	1

Key	Part Name	Willlys Part No.	Group Number
A	ROD.....	WO-A-9196.....	2003
B	SHAFT, assembly.....	WO-A-9202.....	2001
C	SHAFT.....	WO-A-9214.....	2001
D	BRACKET, assembly.....	WO-A-10284.....	2001
E	HUB.....	WO-A-9211.....	2001
F	NUT.....	WO-638513.....	0102
G	PULLEY.....	WO-A-9205.....	0102
H	SPACER.....	WO-A-9194.....	2001
J	WASHER.....	WO-52046.....	2001
K	BOLT.....	WO-53038.....	2001
L	BRACKET.....	WO-A-10282.....	2001

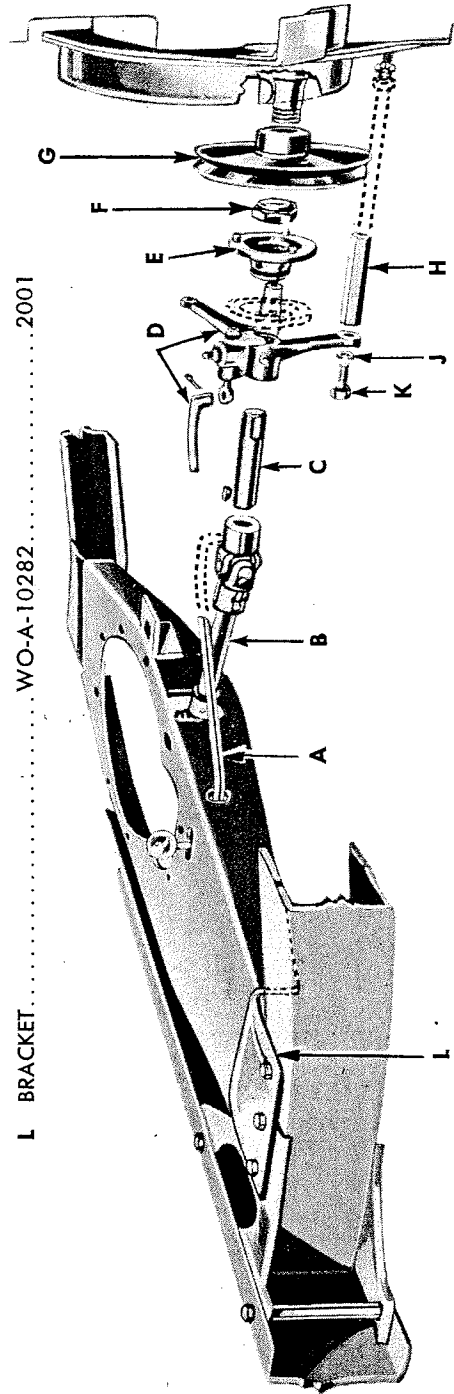


FIGURE 20-2—CAPSTAN WINCH MOUNTING BRACKET AND DRIVE SHAFT

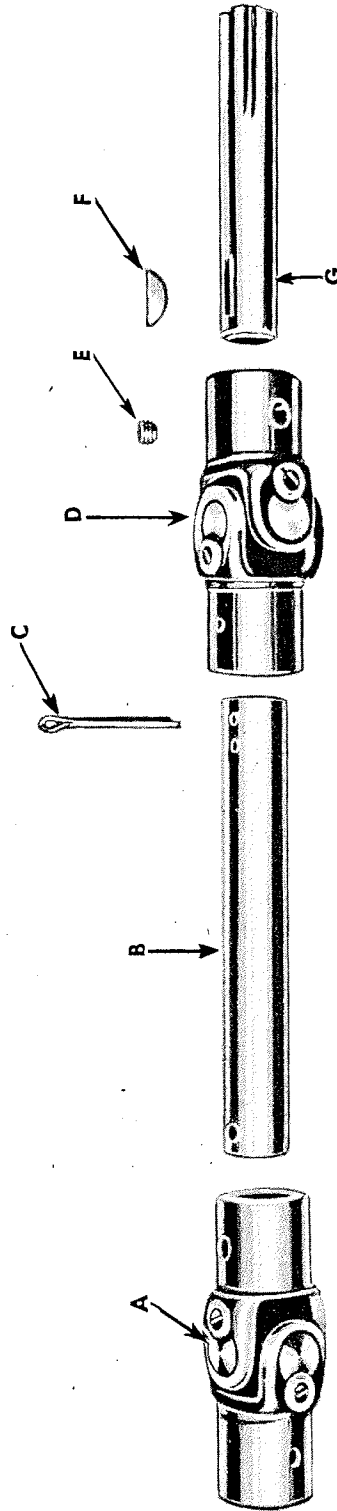
GROUP 20—CAPSTAN WINCH (Cont'd)

Figure Number	Official Stock Number	Piece Mark or Part Number		ITEM	Quant. Req'd. per Unit Assy.	Unit Price
		Ford No.	Willlys No.			
Col. 1	Col. 2	Col. 3	Col. 4	Col. 5	Col. 6	Col. 7
20-2, 3 20-2	9680-A-9203 9680-A-10308		WO-A-2914 WO-A-9194 WO-A-10370 WO-A-9203 WO-A-10308 WO-A-10301 WO-53032	2001—WINCH PARTS AND WINCH DRIVE SHAFTS (Cont'd) SHAFT, spline, capstan winch..... SPACER, capstan winch drive..... SPACER, mounting plate to frame (use for Ford installation)..... SPRING, poppet, capstan winch..... WASHER, thrust, capstan winch (bronze)..... WASHER, thrust, capstan winch, w/PIN, assembly (S.)..... WASHER, plain, S., 3/8 in. (use for Ford installation).....	1 1 6 1 1 1 2	
			WO-A-10286	2002—CABLES AND ROPES ROPE, 3/4 in. x 100 ft.....	1	
	9680-A-9206 H001-7017651		WO-A-2907 WO-A-971 WO-A-9206 WO-50802 WO-53029 WO-A-9196	2003—WINCH CONTROL PARTS FORK, shift, capstan winch..... HANDLE, winch shift rod..... RAIL, shift, capstan winch..... NUT, hex., S., 5/16-24NF-2..... WASHER, lock, S., 5/16 in. (GM-138485)..... ROD, shift, capstan winch.....	1 1 1 1 1 1	
20-1, 2			FM-GPW-17750 FM-355456-S FM-33798-S2 FM-34806-S2 FM-GPW-17775 FM-24349-S2 FM-33800-S FM-34807-S FM-GPW-17751	GROUP 21—BUMPERS AND GUARDS 2101—BUMPERS BAR, bumper, front..... BOLT, hex-hd., S., 5/8-24NF-2 x 4 1/2 (bar to frame)..... NUT, hex., S., 5/8-24NF-2..... WASHER, lock, reg., S., 5/8 in..... BUMPERETTE, rear..... BOLT, hex-hd., S., 3/8-24NF-2 x 3/4 (bumperette to frame)..... NUT, hex., S., 3/8-24NF-2..... WASHER, lock, reg., S., 3/8 in..... FILLER, front bumper bar, wood..... SPACER, front bumper gusset (Note 1).....	1 4 4 4 2 8 8 8 1 2	.0217

2103—RADIATOR GUARDS

			1
	WO-A-2858	FRAME, radiator guard, assembly (before Willys serial 125809 only)	1
	WO-6299	BOLT, hex-hd., S., $\frac{3}{16}$ -16NC-2 x $\frac{7}{8}$ (frame to chassis) (Willys only)	3
	WO-5544	NUT, hex., S., $\frac{3}{16}$ -16NC-2 (Willys only)	3
	WO-51304	WASHER, lock, reg., S., $\frac{3}{8}$ in. (Willys only)	3
	WO-5455	WASHER, plain, S., $\frac{3}{8}$ in. (Willys only)	3
	WO-A-3615	GUARD, radiator, assembly (after Willys serial 125809)	1
FM-GPW-8307	WO-51485	BOLT, hex-hd., S., $\frac{3}{16}$ -18NC-2 x $\frac{5}{8}$ (guard to fender)	6
FM-20326-S	WO-6167	NUT, hex., S., $\frac{3}{16}$ -18NC-2 (before Willys serial 125809)	6
FM-33797-S	WO-A-3550	NUT, sp., S., $\frac{3}{16}$ -18NC-2 (after Willys serial 125809)	6
FM-34130-S2			

Note 1—Only for vehicles modified by MWO ORD G503-W8. (See page 3)



Key	Part Name	Willys Part No.	Group No.
A	JOINT	WO-A-9157	2001
B	SHAFT (Available only as part of SHAFT, assembly, WO-A-9202)	WO-A-9180	N.L.
C	PIN	WO-5134	2001
D	JOINT	WO-A-9158	2001
E	SCREW	WO-53355	2001
F	KEY	WO-53356	2001
G	SHAFT	WO-A-9214	2001

GROUP 21—BUMPERS AND GUARDS (Cont'd)

Figure Number	Official Stock Number	Piece Mark or Part Number		ITEM	Quant. Reqd. per Unit Assy.	Unit Price
		Ford No.	Willys No.			
Col. 1	Col. 2	Col. 3	Col. 4	Col. 5	Col. 6	Col. 7
				2103—RADIATOR GUARDS (Cont'd)		
	H001-1518008	FM-34706-S7 FM-34806-S2 FM-GPW-8348 FM-GPW-8349 FM-62627-S3	WO-5437 WO-51833 WO-A-3094 WO-A-3095 WO-51182	GUARD, radiator, assembly (Cont'd) WASHER, plain, S, cd-pltd., 5/16 in. WASHER, lock, reg., S, 5/16 in. LINER, radiator guard hood, center. LINER, radiator guard hood, side. RIVET, split, 5/8 x 5/16 (5 used center, 6 used sides—Willys) (4 used center, 7 used sides—Ford).	6 6 1 2	
			WO-A-3549	RETAINER, radiator guard to fender nut (after Willys serial 125809) (Willys only)	11 6	
				2103A—LAMP GUARDS		
		FM-GPW-13176 FM-20387-S7 FM-24347-S7 FM-33798-S7 FM-34806-S7 FM-356309-S7	WO-A-4118 WO-53050 WO-53048 WO-50802 WO-53047 WO-53025 WO-A-4116	GUARD, blackout driving lamp, w/SUPPORT, assembly (after Willys serial 163750) BOLT, hex-hd., S, cd-pltd., 5/16-24NF-2 x 1 (GM-112657) (after Willys serial 163750) BOLT, hex-hd., S, cd-pltd., 5/16-24NF-2 x 3/4 (GM-118772) NUT, hex., S, cd-pltd., 5/16-24NF-2 (GM-115729) WASHER, lock, S, cd-pltd., 5/16 in. WASHER, lock, S, cd-pltd., shakeproof, 5/16 in. WASHER, plain S, cd-pltd., 1 1/8 O.D. x 1 1/8 I.D. (Willys only)	1 1 2 3 1 4 1	
				GROUP 22—MISCELLANEOUS BODY, CHASSIS AND ACCESSORIES		
				2201—TARPAULINS		
		FM-GPW-1102980 FM-GPW-1103214 FM-GPW-1152700	WO-A-3070 WO-A-3073 WO-A-3211 WO-A-2909 WO-A-3216	COVER, headlight. COVER, windshield, assembly (before Willys serial 103545) COVER, windshield, assembly (after Willys serial 103545) PAULIN, deck top, assembly (before Willys serial 103545) (Willys only) PAULIN, deck top, assembly (after Willys serial 103545)	2 1 1 1 1	
		FM-GPW-1151266 FM-60470-S	WO-A-2897 WO-5216	2201A—BOWS BOW, top, assembly (includes bow, top front, assembly) RIVET, rd-hd., 5/16 x 1 (bow to pivot)	1 2	

GROUP 22—MISCELLANEOUS BODY, CHASSIS AND ACCESSORIES (Cont'd)

Figure Number	Official Stock Number	Piece Mark or Part Number		ITEM	Quant. Req'd. per Unit Assy.	Unit Price
		Ford No.	Willys No.			
Col. 1	Col. 2	Col. 3	Col. 4	Col. 5	Col. 6	Col. 7
	3320-21CS-17718-A	FM-21CS-17718-A	WO-A-11850	2202—REAR VIEW MIRRORS (Cont'd) MIRROR, rear view, w WASHER and NUT, assembly (supersedes MIRROR, assembly, FM-GP-17723-A) NUT, reg, hex, S, 1/4-28NF-2 (mirror to bracket) WASHER, lock, reg, S, 1/4 in.	1 1 1	
18-1		FM-GPW-1101621-A	WO-A-1330	2203—IDENTIFICATION AND CAUTION PLATES PLATE, caution	1	
18-1		FM-GPW-1101629-A	WO-A-11757	PLATE, name (superseded by PLATE, WO-A-17344)	1	
		FM-GPW-1101627-A	WO-A-17344	PLATE, name (supersedes PLATE, FM-GPW-1101629-A, WO-A-11757)	1	
18-1		FM-GPW-1101627-A	WO-A-1331	PLATE, shifting	1	
		FM-357016-S19	WO-53013	NUT, hex, S, stamped, No. 6 (0.138)-32NC-2 (Willys only)	12	
			WO-53014	RIVET, ov-hd., S, 3/8 x 3/16 (Ford only)	12	
				SCREW, rd-hd., S, No. 6 (0.138)-32NC x 3/16 in. (Willys only)	12	
	H017-0506101	FM-GPW-13380-A	WO-A-1306	2203A—REFLECTORS REFLECTOR, reflex, assembly (CB-3121441)	4	.277
		FM-33796-S	WO-5914	NUT, hex, reg, S, 1/4-28NF-2	8	
		FM-36825-S	WO-52834	SCREW, rd-hd., S, 1/4-28NF-2 x 1/2	8	
	H001-1518007	FM-34805-S	WO-52706	WASHER, lock, reg, S, 1/4 in.	8	
		FM-GPW-13434-A2	WO-A-8242	2204—SPEEDOMETER AND PARTS BRACKET, mounting, speedometer (AL-SPK-66) (AL speedometer only) (Willys only)	1	
		FM-GPW-14561	WO-345961	BRACKET, mounting, speedometer (KS-40333) (KS speedometer only) (Willys only)	1	
		FM-355836-S7	WO-A-5449	BUSHING, rubber	1	.0212
		FM-355130-S7	WO-6352	CLIP, mounting, closed type, S, 5/16 in. (1 used speedometer cable to frame, 1 used speedometer cable to dash with starter to starter switch cable)	2	.0041
		FM-34803-S2	WO-5064	NUT, mach. screw, hex, S, cd-pitd., No. 10 (0.190)-24NC-2	2	
	H001-1518005	FM-GPW-17262	WO-52221	SCREW, machine, rd-hd., S, cd-pitd., No. 10 (0.190)-24NC-2 x 5/8 in.	2	
	G503-0384600		WO-A-1344	WASHER, lock, reg, S, No. 10 (0.190)	2	
	G121-0389650		WO-A-5734	SHAFT, flexible, speedometer drive, assembly (53 5/8 in. long) (AL-SPS-1105-X)	1	.326
				SPEEDOMETER, luminous dial, assembly (superseded by SPEEDOMETER, assembly, FM-GPW-17255-A, WO-A-8180)	1	

3320-GPW-17255	FM-GPW-17255			SPEEDOMETER, assembly (superseded by SPEEDOMETER, assembly, FM-GPW-17255-A, WO-A-8180)	1
G121-0389650	FM-GPW-17255-A	WO-A-8180		SPEEDOMETER, luminous dial, assembly (AL-SPK-4003) (KS-40355) (supersedes SPEEDOMETER, assembly, WO-A-5734; and FM-GPW-17255)	1
		WO-A-8127		NUT, wing, S., No. 10 (.190)-32NF-2 (AL-8X-72B) (Auto-Lite speedometer to brkt. only) (Willys only)	2
		WO-A-8125		NUT, wing, S., No. 10 (.190)-32NF (KS-40350) (King Seeley speedometer to brkt. only) (Willys only)	2
H001-7025621		WO-A-8129		WASHER, lock, S. (special) No. 10 (.190) (AL-12X-196) (Willys only)	2
2980-SFS-1100R	FM-GPW-17261	WO-53194		WASHER, lock, S., No. 10 (.190) (KS-5131) (Willys only)	2
		WO-A-1343		TUBE, speedometer drive, assembly (AL-SPS-1100R) (superseded by TUBE, assembly, FM-GPW-17261A, WO-A-1343)	1
3320-GPW-17260	FM-GPW-17261-A			TUBE, speedometer drive, assembly (52 in. long) (supersedes TUBE, assembly, FM-GPW-17261)	1
				TUBE, speedometer drive, w/SHAFT, assembly (AL-SPS-2099M)	1
2208—AIR COMPRESSOR (TIRE PUMP) (Only for vehicles modified by MWO-ORD G503-W9)					
				BEARING, ball, air compressor flywheel pulley (WBK-186019) (also part of PULLEY, assembly WBK-185921)	2
9680-A-8619		WO-A-8619		BELT, drive, air compressor (7044114)	1
				BRACKET, air compressor lever (B7044172)	1
				BRACKET, air compressor, upper (C7044170)	1
				CHAIN, safety, air compressor, w/CAP, assembly (7044237)	1
				(Consists of:	
				1 CAP (7044236)	
				1 CHAIN, 5 in. long (SDBX1A)	
				1 CLIP (7044212)	
				1 HOOK (SCAX1D)	
				1 HOOK (7044238))	
G503-7044051				COMPRESSOR, air, assembly (less mounting brackets) (WBK-185993) (7044051)	1
H101-7131300				BOLT, carriage, rd-hd., sq-nk., S., $\frac{5}{16}$ -18NC-2 x $4\frac{1}{4}$ (131300)	4
H001-4171545				NUT, reg., hex, S., $\frac{5}{16}$ -18NC-2 (123208)	4
				WASHER, lock, reg., S., $\frac{5}{16}$ in. (116120)	4
G503-7032695				CRANKSHAFT, air compressor (WBK-185913)	1
G503-7032690				CUP, packing, air compressor piston (WBK-520610) (also part of PISTON, assembly, WBK-185944)	2
				ELBOW, air compressor ($\frac{1}{4}$ in.) (WBK-185966)	1
G503-7032691				FOLLOWER, air compressor piston (WBK-185906) (also part of PISTON, assembly, WBK-185944)	2
G503-7044168				HOSE, air compressor, w/FITTINGS, assembly (7044168)	1
G503-7032688				NUT, cap, air compressor cylinder (WBK-185902)	1
G503-7032693				PIN, air compressor piston (WBK-185911)	1

18-1

GROUP 22--MISCELLANEOUS BODY, CHASSIS AND ACCESSORIES (Cont'd)

Figure Number	Official Stock Number	Piece Mark or Part Number		I T E M	Quant. Reqd. per Unit Assy.	Unit Price
		Ford No.	Willlys No.			
Col. 1	Col. 2	Col. 3	Col. 4	Col. 5	Col. 6	Col. 7
	G503-7032689			<p>2208--AIR COMPRESSOR (TIRE PUMP). (Cont'd) (Only for vehicles modified by MWO-ORD G503-W9)</p> <p>PISTON, air compressor assembly (WBK-185944).....</p> <p>(Consists of:</p> <p>2 CUP, packing (WBK-520610)</p> <p>2 FOLLOWER, piston (WBK-185906)</p> <p>1 PISTON (WBK-185903)</p> <p>PULLEY, crankshaft (ORD 7044165).....</p> <p>PULLEY, air compressor flywheel, assembly (WBK-185921).....</p> <p>(Consists of:</p> <p>2 BEARING, face (WBK-186019)</p> <p>1 LATCH (WBK-185924)</p> <p>1 PIN, clutch (WBK-185919)</p> <p>1 PIN, clutch stop (WBK-185962)</p> <p>1 PIN, latch pivot (WBK-185928)</p> <p>1 PLUG, clutch pin (WBK-185920)</p> <p>1 PULLEY, flywheel (WBK-186058)</p> <p>1 SPRING, clutch pin (WBK-185923)</p> <p>1 SPRING, latch (WBK-185927)</p> <p>RING, retaining, air compressor piston pin (WBK-185912).....</p> <p>ROD, connecting, air compressor (WBK-185907).....</p> <p>SEAL, air compressor crankshaft bearing sleeve (WBK-522645)</p> <p>SLEEVE, bearing, air compressor crankshaft (WBK-185914)</p> <p>SPRING, air compressor charge valve (WBK-503628)</p> <p>SPRING, air compressor latch (WBK-185927) (also part of PULLEY, assembly, WBK-185921).....</p> <p>STRAINER, air intake, air compressor, assembly (WBK-185934)</p> <p>STUD, air compressor cylinder, w/NUT, assembly (3/16 x 5 1/8) (WBK-186007)</p> <p>STUD, air compressor cylinder head (C7044153)</p> <p>NUT, air compressor cylinder head stud (A7044072)</p> <p>TEE, air compressor (1/4 in.) (WBK-186033)</p> <p>VALVE, discharge, air compressor (WBK-92235)</p> <p>WHEEL, air compressor clutch (WBK-185929)</p> <p>KEY, Woodruff, No. 6 (WBK-136157).....</p> <p>NUT, 3/4-16NF (WBK-521671).....</p>	1	
	9680-A-6414 G503-7032697		WO-A-6414		1	
	G503-7032694 G503-7032692				1	
	G503-7032696 G503-7032687 G503-7032698				2	
	G503-7032700				1	
	G503-7032686 G503-7032699				2	
					1	
					1	

GROUP 23—GENERAL USE STANDARDIZED PARTS

2306—TIRES AND TUBES

CAP SET, pneumatic tube valve.....	WO-A-7681	1	.489
CORE SET, pneumatic tube valve.....	WO-A-7682	1	
FLAP, tire, 7.50 x 16 (<i>Note 1</i>).....		1	
TIRE, pneumatic, 6-ply, mud and snow tread, 6.00 x 16.....		5	
TIRE, pneumatic, 6-ply, mud and snow tread, 7.50 x 16 (<i>Note 1</i>).....		5	
TUBE, pneumatic, regular, 6.00 x 16.....		5	
TUBE, pneumatic, heavy duty, 7.50 x 16 (<i>Note 1</i>).....		5	

GROUP 26—RADIO

2603—RADIO SUPPRESSION SYSTEM PARTS

FILTRER, 0.01 MFD. (mounted to ignition switch).....	WO-A-8884	1	
FILTRER, 0.05 MFD. (voltage regulator) (mounted to generator regulator).....	WO-A-8010	1	
FILTRER, 0.1 MFD. (mounted on ignition coil stud).....	WO-A-7848	1	
FILTRER, 0.5 MFD. radio terminal box (DT-CHC-201) (SPR-JX-131) (MLL-A-205244) (SOL-EV-128) (superseded by FILTER, FM-GPA-18841, WO-A-7849).....	WO-A-7600	1	
FILTRER, 0.5 MFD. (mounted on cranking motor) (supersedes FILTER, WO-A-7600).....	WO-A-7849	1	
FILTRER-GROUP, w/COVER, assembly (SOL type EV-103) (DTC-1107DE) (SPR type JX-17) (MLL-134739).....	WO-A-5980	1	
FILTRER-UNIT, 0.01 MFD. generator regulator field (mounted to generator regulator).....	WO-A-8883	1	
FILTRER-UNIT, generator regulator (mounts on regulator).....	WO-A-1287	1	1.11
FILTRER-UNIT, generator ground to armature circuit.....	WO-A-5337	1	.228
STRAP, bond No. 1 and No. 2 (hood to cowl).....	WO-A-11766	2	.0766
STRAP, bond No. 1 and No. 2 (cowl to hood, right, and cowl to hood, left).....	WO-A-5038	2	
STRAP, bond No. 3 (cylinder head to dash) (superseded by STRAP, FM-GPW-18840, WO-A-7826).....	WO-A-5033	1	.091
STRAP, bond No. 3 (cylinder head to dash) (supersedes STRAP, FM-GPW-18858, WO-A-5033).....	WO-A-7826	1	.179
STRAP, bond No. 4 (hand brake cable, speedometer cable, heat indicator cable to dash).....	WO-A-5035	1	.179
NUT, reg. hex., S, cd-plt'd., 5/16-24NPF-2.....	WO-A-1532	1	
STRAP, bond No. 5 (gas line to dash).....	WO-A-5039	1	.0863
STRAP, bond No. 6 (choke and throttle controls and oil gage to dash).....	WO-A-5040	1	.109
NUT, reg. hex., S, cd-plt'd., 5/16-24NPF-2.....	WO-A-1532	1	
STRAP, bond No. 7 (generator mounting bolt to starter motor bracket).....	WO-A-5037	1	.121
STRAP, bond No. 8 (generator regulator ground).....	WO-A-5041	1	1.24
STRAP, bond No. 9 (ignition coil to cylinder block).....	WO-A-5034	1	.0912
STRAP, bond No. 10 (engine front plate to frame right. This is regular engine ground strap).....	WO-A-1098	1	.104

8-F-2305	FM-GPW-18322	WO-A-7681
8-T-8978	FM-GPW-18320	WO-A-7682
8-T-9050		
8-T-14215		
8-T-15280		
3320-GPW-18937	FM-GPW-18937	WO-A-8884
3320-G8T-18938-B	FM-G8T-18938-B	WO-A-8010
3320-GPW-18935-B	FM-GPW-18935-B	WO-A-7848
G121-0342160		WO-A-7600
3320-GPA-18841	FM-GPA-18841	WO-A-7849
3320-GPW-18960	FM-GPW-18960	WO-A-5980
3320-GPW-18937-F	FM-GPW-18937-B	WO-A-8883
3320-GPW-18936-A	FM-GPW-18936-A	WO-A-1287
3320-GPW-18935-A	FM-GPW-18935-A	WO-A-5337
	FM-GPW-18876-B	WO-A-11766
3320-GPW-18876	FM-GPW-18876	WO-A-5038
3320-GPW-18858	FM-GPW-18858	WO-A-5033
	FM-GPW-18840	WO-A-7826
3320-GPW-18849	FM-GPW-18849	WO-A-5035
	FM-33798-S7	WO-A-1532
3320-GPW-18853	FM-GPW-18853	WO-A-5039
3320-GPW-18850	FM-GPW-18850	WO-A-5040
	FM-33798-S7	WO-A-1532
3320-GPW-18857	FM-GPW-18857	WO-A-5037
3320-GPW-18846	FM-GPW-18846	WO-A-5041
3320-GPW-18873	FM-GPW-18873	WO-A-5034
	FM-GPW-14303	WO-A-1098

06-12

GROUP 26—RADIO (Cont'd)

Figure Number	Official Stock Number	Piece Mark or Part Number		I T E M	Quant. Reqd. per Unit Assy.	Unit Price
		Ford No.	Willys No.			
Col. 1	Col. 2	Col. 3	Col. 4	Col. 5	Col. 6	Col. 7
				2603—RADIO SUPPRESSION SYSTEM PARTS (Cont'd)		
	3320-GPW-18874	FM-GPW-18874	WO-A-5036	STRAP, bond No. 11 (engine front plate to frame left)	1	.0961
	3320-GPW-18854	FM-GPW-18854	WO-A-5027	STRAP, bond No. 12 (exhaust pipe ground connection to frame)	1	.228
	3320-GPW-18859	FM-GPW-18859	WO-A-5032	STRAP, bond No. 13 and No. 14 (radiator stud, right, to frame, and radiator stud, left, to frame)	2	
		FM-33798-87	WO-A-1532	NUT, reg., hex., S., cd-pltd., $\frac{5}{16}$ -24NF-2	2	
	3320-GPW-18872	FM-GPW-18872	WO-A-5031	STRAP, bond No. 15 (rear engine support to frame cross member stud)	1	.0815
		FM-33798-S7	WO-A-1632	NUT, reg., hex., S., cd-pltd., $\frac{5}{16}$ -24NF-2	2	
	3320-GPW-18871	FM-GPW-18871	WO-A-5030	STRAP, bond No. 16 (transfer case to body floor stud)	1	.101
		FM-33798-S7	WO-A-1532	NUT, reg., hex., S., cd-pltd., $\frac{5}{16}$ -24NF-2	2	
	3320-GPW-18852	FM-GPW-18852	WO-A-1699	STRAP, bond No. 21 and No. 22 (hood to brush guard right, and hood to brush guard, left)	2	.0505
			WO-A-1285	SUPPRESSOR, ignition (superseded by SUPPRESSOR, FM-GPW-18825, WO-A-6320)	4	
	3320-GPW-18825-B	FM-GPW-18825-B	WO-A-6320	SUPPRESSOR, ignition (supersedes SUPPRESSOR, WO-A-1285)	4	

INDEXES

TABLE OF CONTENTS

	<i>Page</i>
FIGURE INDEX	224
ALPHABETICAL INDEX	225
ORDNANCE PART NUMBER INDEX	238
MANUFACTURERS' PART NUMBER INDEX	239
OFFICIAL STOCK NUMBER INDEX	275

FIGURE INDEX

FIGURE	TITLE	PAGE	FIGURE	TITLE	PAGE
A	Truck, 1/4-Ton, 4 x 4 Command Reconnaissance— 3/4 Right Front View.....	8	06-6	Distributor Assembly (Dustproof Type)—Ex- ploded View.....	105
B	Truck, 1/4-Ton, 4 x 4 Command Reconnaissance— 3/4 Left Front View.....	9	06-7	Lighting Switch (Rotary Type).....	110
C	Truck, 1/4-Ton, 4 x 4 Command Reconnaissance— Right Side View.....	10	06-8	Headlight Assembly.....	114
D	Truck, 1/4-Ton, 4 x 4 Command Reconnaissance— 3/4 Right Rear View.....	11	06-9	Blackout Driving Light Assembly.....	118
E	Truck, 1/4-Ton, 4 x 4 Command Reconnaissance— Front View.....	12	06-10	Marker Light Assembly.....	119
01-1	Engine Assembly—Left Side View.....	13	06-11	Tail and Stop Light Assembly.....	120
01-2	Engine Assembly—Right Side View.....	14	06-12	Wiring Installation.....	122
01-3	Engine Assembly—Transverse Sectional View ..	15	07-1	Transmission Assembly—Sectional View.....	125
01-4	Engine Assembly—Longitudinal Sectional View	16	07-2	Transmission Assembly—Exploded View.....	126
01-5	Timing Chain Cover, Cylinder Block and Fly- wheel Housing—Exploded View.....	19	08-1	Transfer Case Assembly—Sectional View.....	133
01-6	Crankshaft and Bearings.....	21	08-2	Transfer Case Assembly—Exploded View.....	134
01-7	Piston and Connecting Rod—Exploded View....	27	09-1	Propeller Shafts and Universal Joints.....	140
01-8	Camshaft, Timing Chain and Valve Mechanism— Exploded View.....	30	09-2	Rear Propeller Shaft and Universal Joint.....	141
01-9	Valve Cover and Ventilator Parts—Exploded View.....	31	10-1	Front Axle Assembly and Steering Linkage.....	143
01-10	Oil Pump Assembly—Exploded View.....	35	10-2	Differential Assembly—Sectional View.....	145
01-11	Manifold Assembly—Exploded View.....	38	10-3	Front Axle Housing, Shaft and Related Parts...	147
01-12	Oil Filter Assembly—Exploded View.....	39	10-4	Front Axle Steering Knuckle, Universal Joint and Related Parts—Sectional View.....	151
02-1	Clutch Assembly—Sectional View.....	43	10-5	Front Axle Steering Knuckle and Related Parts— Exploded View.....	152
02-2	Clutch Pressure Plate and Disk—Exploded View	44	10-6	Front Axle Universal Joints.....	155
02-3	Clutch Linkage and Controls.....	46	11-1	Rear Axle Assembly—Exploded View.....	158
03-1	Fuel Tank Assembly and Related Parts.....	49	12-1	Brake Assembly—Exploded View.....	164
03-2	Carburetor Assembly—Exploded View.....	52	12-2	Hand Brake (External Contracting Type)— Exploded View.....	165
03-3	Air Cleaner Assembly—Exploded View.....	59	12-3	Hand Brake (Internal Expanding Type).....	168
03-4	Fuel Pump Assembly—Exploded View.....	61	12-4	Brake Master Cylinder Assembly—Exploded View.....	172
03-5	Fuel Strainer Assembly—Exploded View.....	67	12-5	Brake Wheel Cylinder Assembly—Exploded View.....	175
04-1	Exhaust System.....	69	12-6	Brake System.....	176
05-1	Water Pump Assembly—Exploded View.....	73	14-1	Steering Connecting Rod—Exploded View.....	181
06-1	Generator Assembly (Bearing Type)—Exploded View.....	76	14-2	Steering Gear Assembly—Exploded View.....	184
06-2	Generator Assembly (Bushing Type)—Exploded View.....	82	15-1	Pintle Hook.....	189
06-3	Generator Regulator Assembly.....	89	16-1	Front Spring Assembly (with Torque Reaction Spring).....	191
06-4	Cranking Motor Assembly—Exploded View....	94	18-1	Front Compartment and Instrument Panel....	198
06-5	Distributor Assembly (Open Type)—Exploded View.....	102	20-1	Capstan Winch—Installed View.....	210
			20-2	Capstan Winch Mounting Bracket and Drive Shaft.....	213
			20-3	Capstan Winch Drive Shaft Assembly.....	215

ALPHABETICAL INDEX

Attaching parts are not included in this index. They are listed in alphabetical order below the parts which they attach.

Item	Group	Item	Group
A			
ABSORBER, shock, assembly	1603	BEARING, cranking motor	0602
ADAPTER, instrument light	0605C	BEARING, cranking motor, commutator end	0602
ADAPTER, speedometer	0810	BEARING, cranking motor, intermediate, assembly	0602
AMMETER, assembly	0605	BEARING, distributor, absorbent bronze	0603
ANTISQUEAK, apron to frame	1702	BEARING, engine clutch release	0203
ANTISQUEAK, front fender to cowl side panel	1701	BEARING, engine connecting rod	0104A
ANTISQUEAK, fuel tank	0300	BEARING, engine crankshaft	0102A
ANTISQUEAK, fuel tank hold down strap	0300	BEARING, engine heat control valve shaft	0108C
APRON, splash, front fender, assembly	1702	BEARING, generator commutator end	0601-1
ARM, adjustable, windshield wiper, assembly	1811D	BEARING, roller, transmission main drive gear pilot	0703
ARM, adjusting, windshield	1811	BEARING, steering bell crank	1401
ARM, advance control, distributor, assembly	0603	BEARING, steering column, wheel end, assembly	1403A
ARM, breaker, distributor, assembly	0603	BEARING, transfer case intermediate shaft gear	0804
ARM, carburetor pump, assembly	0301	BEARING, transmission main drive gear	0703
ARM, carburetor throttle shaft, assembly	0301	BEARING, universal joint, assembly	0902
ARM, generator brush	0601	BEARING, water pump, assembly	0503
ARM, rocker, fuel pump, assembly	0302	BEARING SET, engine connecting rod	0104A
ARM, steering gear	1403A	BEARING SET, engine crankshaft	0102A
ARM, steering knuckle	1006	BELLOWS, water pump seal	0503
ARM, windshield wiper, assembly	1811D	BELT, drive, air compressor	2208
ARMATURE, cranking motor, assembly	0602	BELT, drive, fan and generator	0503B
ARMATURE, generator, assembly	0601	BLADE, windshield wiper	1811D
ARMATURE, generator current regulator, assembly	0601B	BLOCK, adjusting, accelerator throttle rod	0303
ARMATURE, generator cut-out relay	0601B	BLOCK, cylinder, assembly	0101
ARMATURE, generator voltage regulator, assembly	0601B	BLOCK, junction	0606E
AXLE, front, assembly	1000	BODY, air cleaner, assembly	0301C
AXLE, rear, assembly	1100	BODY, assembly	1800
B			
BACK, front seat, assembly	1804A	BODY, engine crankcase ventilator, assembly	0107N
BACK, rear seat, assembly	1804	BODY, engine oil pump	0107
BAFFLE, engine crankcase ventilator	0107N	BODY, fuel pump, assembly	0302
BAIL, fuel pump strainer, assembly	0302	BODY, water pump	0503
BALL, fulcrum, transmission gearshift lever	0706A	BOLT, adjusting, hand brake	1201
BALL, poppet, transfer case shift rod	0805	BOLT, anchor, safety strap	1804
BALL, poppet, transmission gearshift rail	0706B	BOLT, brake master cylinder outlet fitting	1205
BALL, poppet, winch drive support bracket	2001	BOLT, crankshaft bearing cap	0102A
BALL, steering gear worm	1403A	BOLT, differential case bearing cap	1003 1104
BALL, transfer case shift lever handle	0805B	BOLT, engine connecting rod bearing cap	0104
BALL, transmission gearshift lever	0706A	BOLT, eye, brake master cylinder to pedal	1205
BALL, universal joint	1007	BOLT, eye, safety chain	0606F 1502
BAND, cover, generator	0601-2	BOLT, eye, safety strap	1802A
BAND, cranking motor head, assembly	0602	BOLT, fitting, front wheel brake hose, cylinder end	1209B
BAND, generator, head	0601	BOLT, front spring, center, assembly	1601
BAND, hand brake, assembly	1201	BOLT, generator brace to bracket	0601A-1
BAR, bumper, front	2101	BOLT, generator terminal	0601-2
BAR, tie, brake master cylinder	1205	BOLT, glove compartment lock	1809A
BASE, air cleaner, assembly	0301C	BOLT, hand brake band anchor clip	1201
BASE, distributor, assembly	0603	BOLT, hold-down, headlight support, assembly	0607
BASE, dustproof distributor, assembly	0603-1	BOLT, lock, engine piston pin	0103B
BATTERY, dry charged	0610	BOLT, mounting, generator	0601A-1
BATTERY, moist uncharged	0610	BOLT, mounting, headlight	0607
BEARING, ball, air compressor flywheel pulley	2208	BOLT, pivot, generator brace	0601A
BEARING, ball, generator	0601	BOLT, pivot, spring shackle	1601C 1602
BEARING, ball, generator commutator end	0601-2	BOLT, rear spring, center, assembly	1601A
BEARING, ball, generator drive end	0601-2	BOLT, socket to body	0606F
BEARING, ball, transfer case output clutch shaft	0803	BOLT, steering knuckle stop	1006
BEARING, ball, transmission main drive gear	0703	BOLT, support, transfer case	0809
BEARING, ball, transmission main shaft, rear end	0704	BOLT, terminal clamp, assembly	0610B

ALPHABETICAL INDEX (Cont'd)

Item	Group	Item	Group
BOLT, through, generator	0601-2	BRACKET, stationary, generator cut-out relay, assembly	0601B
BOLT, torque reaction spring shackle	1601C	BRACKET, support, air cleaner, assembly	0301C
BOLT, welding battery holder to fender	1701	BRACKET, support, body	1500
BOLT, wheel divided rim	1301	BRACKET, support, engine oil filler tube	0107G
BOLT, wheel hub	1302A	BRACKET, support, exhaust pipe extension	0401-1
BOLT, windshield clamp bracket	1811	BRACKET, support, muffler front clamp	0401-1
BOLT, wing, air cleaner cover	0301C	BRACKET, support, muffler rear clamp	0401-1
BOW, top, assembly	2201A	BRACKET, support, radiator	1500
BOWL, fuel pump	0302	BRACKET, support, radiator grille guard	1500
BOWL, fuel strainer, assembly	0306B	BRACKET, support, radiator guard	1500
BOOT, brake master cylinder	1205	BRACKET, support, rifle holder to windshield, assembly	1820
BOOT, wheel cylinder	1207	BRACKET, support, spare tire, assembly	1505
BRACE, air cleaner support bracket	0301C	BRACKET, support, spare wheel, assembly	1505
BRACE, front fender	1701	BRACKET, support, winch drive, assembly	2001
BRACE, generator, assembly	0601A	BRACKET, tool compartment lock, assembly	1817
BRACE, instrument panel, circuit breaker, assembly	1809	BRACKET, top bow pivot	2201A
BRACE, machine gun mounting plate	1500	BRACKET, windshield adjusting arm, assembly	1811
BRACE, mounting, voltage regulator	1702	BRACKET, windshield mounting clamp catch	1811
BRACKET, accelerator cross shaft	0303	BRACKET, windshield pivot, assembly	1811
BRACKET, adjusting generator current and voltage regulator coil, assembly	0601B	BRACKET, windshield swing arm	1811
BRACKET, air compressor	2208	BRAKE, assembly	1200
BRACKET, battery hold-down	0610A	BRAKE, hand, assembly	1201
BRACKET, brake axle tee	1209D	BRAKE, hand, internal expanding type, assembly	1201-1
BRACKET, brake pedal retracting spring	1500	BREAKER, circuit	0606D
BRACKET, engine clutch control lever	0204	BREATHER, transfer case, assembly	0801
BRACKET, engine crank retaining clamp, assembly	1812A	BRUSH, cranking motor	0602-1
BRACKET, engine support	1500	BRUSH, generator	0601
BRACKET, front and rear spring pivot	1500	BRUSH, grounded, cranking motor	0602
BRACKET, front and rear spring shackle, assembly	1500	BRUSH, horn wire contact	0609B
BRACKET, front brake hose	1209D	BRUSH, insulated, cranking motor	0602
BRACKET, front cross member	1500	BRUSH SET, cranking motor	0602
BRACKET, front seat	1804	BRUSH SET, generator	0601
BRACKET, front seat pivot	1804	BUMPER, front and rear axle	1601B
BRACKET, fuel tank hold-down	0300	BUMPER, hood top windshield assembly	1704
BRACKET, generator brace	0601A-1	BUMPER, rifle holder retainer clamp, assembly	1820
BRACKET, hand brake adjusting screw	1201-1	BUMPERETTE, rear	2101
BRACKET, hand brake handle tube, assembly	1201	BUSHING, air cleaner tube to carburetor	0301C
BRACKET, hand brake ratchet tube, assembly	1201-1	BUSHING, dustproof distributor terminal post	0603-1
BRACKET, hood catch	1704	BUSHING, engine camshaft	0106A
BRACKET, horn, assembly	0609	BUSHING, front axle shaft	1007
BRACKET, ignition coil	0604	BUSHING, front spring eye	1601
BRACKET, master cylinder, assembly	1500	BUSHING, front wheel spindle	1006
BRACKET, mounting, ammeter	0605	BUSHING, fuel strainer inlet and outlet	0304
BRACKET, mounting, brake hose	1500	BUSHING, generator armature terminal insulator	0601-2
BRACKET, mounting, capstan winch, assembly	2001	BUSHING, generator field terminal insulator	0601-2
BRACKET, mounting, engine	0110	BUSHING, hand brake operating lever	1201-1
BRACKET, mounting, engine oil filter, assembly	0107E	BUSHING, insulating, cranking motor terminal post	0602
BRACKET, mounting, fuel gage	0605	BUSHING, insulating, generator field terminal	0601
BRACKET, mounting, generator regulator resistance	0601B	BUSHING, intake manifold	1811D-1
BRACKET, mounting, oil pressure gage and heat indicator	0605	BUSHING, locking, generator brace	0601A
BRACKET, mounting, speedometer	2204	BUSHING, pilot, clutch shaft	0205
BRACKET, pivot, rear seat frame	1804	BUSHING, rear spring eye	1601A
BRACKET, radiator	1500	BUSHING, shock absorber mounting pin, rubber	1603
BRACKET, rail, assembly	2201A	BUSHING, spark plug cable support	0604A
BRACKET, reinforcement, engine front support	0110	BUSHING, speedometer drive gear, transfer case	0810
BRACKET, retaining, engine crank	1802A	BUSHING, spring shackle, assembly	1602
BRACKET, retaining, rear seat back frame	1804	BUSHING, steering column support	1405
BRACKET, shock absorber, assembly	1500	BUSHING, steering gear housing	1403A
BRACKET, spare gas line can, assembly	1817A	BUSHING, torque reaction spring leaf	1601C
		BUSHING, transfer case output clutch shaft pilot	0803
		BUSHING, transmission countershaft gear	0704C

ALPHABETICAL INDEX (Cont'd)

Item	Group	Item	Group
BUSHING, transmission main shaft second speed gear	0704	CHAIN, safety, air compressor, assembly	2208
BUSHING, transmission reverse idler gear	0704C	CHAIN, timing engine camshaft	0106C
BUSHING, winch shaft	2001	CHAIN, windshield thumb screw	1811
BUTTON, horn	0609B	CHECK, carburetor fuel intake, assembly	0301
C			
CABLE, battery ground	0610B-1	CHECK, carburetor pump discharge, assembly	0301
CABLE, battery to cranking motor switch	0610B	CLAMP, axle brake tube	1209C
CABLE, battery to starting switch, positive	0610B	CLAMP, carburetor air horn	0301C
CABLE, blackout driving light, assembly	0607D	CLAMP, carburetor and air cleaner horn	0301C
CABLE, blackout driving light connector to switch	0606B	CLAMP, carburetor tube	0301
CABLE, blackout taillight to connector	0608	CLAMP, engine crankcase ventilator hose to oil filler tube	0107G
CABLE, coil	0604A	CLAMP, engine oil filter, assembly	0107E
CABLE, engine clutch control	0203	CLAMP, exhaust pipe extension	0401
CABLE, filter, battery to starting switch	0606B	CLAMP, exhaust pipe extension support strap	0401-1
CABLE, filter, coil primary to function block	0606B	CLAMP, exhaust pipe to exhaust pipe extension	0401-1
CABLE, filter, regulator to junction block	0606B	CLAMP, exhaust pipe to muffler	0401
CABLE, fuel gage to circuit breaker	0606B	CLAMP, fuel pump valve	0302
CABLE, generator regulator to generator	0606B	CLAMP, fuel tank hold-down, assembly	0300
CABLE, generator regulator to junction box	0606B	CLAMP, hand brake cable tube	1201
CABLE, ground headlight	0607	CLAMP, hand brake conduit	1201-1
CABLE, hand brake handle, assembly	1201	CLAMP, hose	0301C
CABLE, horn, assembly	0609		0505
CABLE, horn to junction block	0609B	CLAMP, muffler	0401-1
CABLE, ignition switch to ammeter to blackout switch	0606B	CLAMP, muffler tail pipe	0401
CABLE, instrument panel fuel gage to fuel tank unit	0606B	CLAMP, radiator surge tank connecting hose	0501C
CABLE, spark plug	0604A	CLAMP, steering column, assembly	1405
CABLE, starting switch to cranking motor	0610B	CLAMP, steering column support	1405
CABLE, trailer, coupling socket to body ground	0606F	CLAMP, steering knuckle tie rod socket	1402
CAGE, front axle universal joint	1007	CLAMP, support, oval type muffler	0401
CAM, brake shoe anchor pin	1203	CLAMP, support, round type muffler	0401
CAM, operating, hand brake	1201	CLAMP, windshield, assembly	1811
CAM, rifle holder retainer handle	1820	CLEANER, air, assembly	0301C
CAMSHAFT, engine	0106	CLEVIS, adjustable, hand brake	1201-1
CAP, distributor, assembly	0603	CLIP, brake tube	1209C
CAP, dust, propeller shaft sleeve yoke	0902	CLIP, distributor breaker arm spring	0603
CAP, dustproof distributor, assembly	0603-1	CLIP, front rest to floor pan bolt	0606B
CAP, filler, brake master cylinder, assembly	1205	CLIP, front left spring to axle housing	1602
CAP, filler, radiator, assembly	0501	CLIP, front spring leaf	1601
CAP, fuel tank	0300	CLIP, hand brake cable conduit to flywheel housing	1201-1
CAP, fuel tank well drain	0300	CLIP, lock, spring, brake hose to frame bracket	1209C
CAP, generator commutator end plate	0601-2	CLIP, mounting, speedometer cable	2204
CAP, king pin bearing, assembly	1006	CLIP, rear spring leaf	1601A
CAP, spark plug insulator	0604B	CLIP, rear spring to axle housing	1602
CAP, transfer case output shaft bearing, assembly	0801	CLIP, support, hand brake cable tube	1201
CAP, transmission gearshift lever housing	0706A	CLIP, throttle rod retracting spring	0303
CAP, wheel hub	1302	CLIP, torque reaction spring	1601C
CAP SET, pneumatic tube valve	2306	CLIP, tube to floor pan cross sill, tube to fender splasher, tube to dash	0304
CARBURETOR, assembly	0301	CLIP, tube to front engine plate	0304
CARRIER, engine clutch release bearing	0203	CLIP, wiper tubing to windshield frame	1811D-1
CASE, differential	1003	COCK, drain, engine cylinder water jacket	0101
	1004	COCK, drain, radiator	0501
CASE, engine oil filter, assembly	0107E	COIL, cranking motor field	0602
CASE, glove compartment lock, assembly	1809A	COIL, field, assembly	0601-2
CASE, rifle, assembly	1820	COIL, field, cranking motor, assembly	0602-1
CASE, transfer	0801	COIL, field, generator, assembly	0601
CASE, transfer, assembly	0800	COIL, generator current regulator, assembly	0601B
CASE, transmission, assembly	0701		0601B-1
CATCH, hold-down, windshield, assembly	1811	COIL, generator cut-out relay, assembly	0601B
CATCH, hood, assembly	1704		0601B-1
CATCH, windshield clamp	1811	COIL, generator voltage regulator, assembly	0601B
			0601B-1
		COIL, ignition, assembly	0604
		COLLAR, distributor drive shaft	0603

ALPHABETICAL INDEX (Cont'd)

Item	Group	Item	Group
COLUMN, steering, assembly	1403A	CUP, brake wheel cylinder	1207
COMPRESSOR, air, assembly	2208	CUP, differential case bearing	1003
CONDENSER, cranking motor switch and regulator terminal	0606		1104
CONDENSER, distributor	0603	CUP, differential drive pinion bearing	1003
CONE and ROLLERS, differential case bearing	1003		1104
	1104	CUP, engine clutch pressure spring	0202
CONE and ROLLERS, differential drive pinion bearing	1104	CUP, horn button spring	0609B
CONE and ROLLERS, differential drive pinion inner bearing	1003	CUP, king pin bearing	1006
CONE and ROLLERS, king pin bearing	1006	CUP, oil, air cleaner	0301C
CONE and ROLLERS, transfer case output shaft bearing	0803	CUP, oil retaining, transmission second and high speed gearshift rail	0706B
CONE and ROLLERS, wheel bearing	1301A	CUP, packing, air compressor piston	2208
CONNECTION, accelerator pedal	0303	CUP, retaining, glove compartment door lock	1809A
CONNECTION, flexible, fuel line	0304	CUP, retaining, transfer case insulator	1500
CONNECTOR, battery, series	0610B-1	CUP, retaining, transfer case support insulator	0809
CONNECTOR, cranking motor field coil	0602	CUP, steering gear worm ball	1403A
CONNECTOR, dustproof distributor terminal post, assembly	0603-1	CUP, transfer case output shaft bearing	0803
CONNECTOR, fuel strainer	0304	CUP, wheel bearing	1301A
CONNECTOR, generator regulator series coil	0601B	CURTAIN, side, assembly	2201F
CONNECTOR, tube to oil filter	0107J	CUSHION, front seat, assembly	1804A
CONTACT, breaker, distributor, assembly	0603	CUSHION, rear seat, assembly	1804A
CONTROL, carburetor choke or throttle, assembly	0303A	CYLINDER, glove compartment lock, assembly	1809A
CONTROL, lockout, lighting switch, assembly	0606	CYLINDER, master, brake, assembly	1205
CORE, radiator, assembly	0501	CYLINDER, wheel, assembly	1207
CORE SET, pneumatic tube valve	2306		
COUNTERSHAFT, transmission	0704C	D	
COVER, assembly	0606F	DECK TOP	1800B
	1001	DIAPHRAGM, fuel pump, assembly	0302
COVER, axle housing	1101	DIFFERENTIAL, assembly	1003
COVER, carburetor bowl, assembly	0301		1104
COVER, distributor terminal slot	0603	DISK, carburetor metering rod	0301
COVER, dust, steering knuckle tie rod socket	1402	DISK, engine oil pump rotor	0107
COVER, engine clutch	0202	DISTRIBUTOR, assembly	0603
COVER, engine oil filter, assembly	0107E	DISTRIBUTOR, dustproof, assembly	0603-1
COVER, engine oil pump, assembly	0107	DOOR, blackout driving light, assembly	0607D
COVER, engine timing chain, assembly	0106D	DOOR, blackout tail and service tail and stop light, assembly	0608
COVER, engine valve spring	0105C	DOOR, blackout tail and blackout stop light	0608
COVER, floor, transmission	1803	DOOR, glove compartment, assembly	1809A
COVER, fuel pump, assembly	0302	DOOR, headlight, assembly	0607
COVER, generator commutator end, assembly	0601-1	DOOR, marker light, assembly	0607D
COVER, generator commutator end cap	0601	DRIVE, Bendix, cranking motor, assembly	0602
COVER, generator regulator	0601B	DRIVER, windshield wiper arm, knurled	1811D-1
COVER, headlight	2201	DRUM, hand brake	1201
COVER, inspection, floor, brake cylinder	1803		
COVER, mounting, fuel strainer	0306B	E	
COVER, rear floor pan shock absorber, assembly	1803	ECCENTRIC, brake shoe	1203
COVER, steering column oil hole	1403A	ELBOW, air compressor	2208
COVER, steering gear housing, assembly	1403A	ELBOW, engine crankcase ventilator to tube	0107N
COVER, terminal	0606F	ELBOW, engine crankcase ventilator tube to valve	0107N
COVER, trailer electric plug housing	1803	ELBOW, engine cylinder head water outlet	0505
COVER, transfer case	0801	ELBOW, flexible connection to engine and tube to cylinder block	0107J
COVER, transmission gearshift lever housing	0706A	ELBOW, flexible connection to fuel pump	0304
COVER, wick, generator commutator end	0601-1	ELBOW, fuel pump inlet and outlet	0304
COVER, windshield, assembly	2201	ELECTROLYTE, battery	0610
CRANK, bell, steering drag link	1401	ELEMENT, air cleaner, assembly	0301C
CRANK, hand brake cable, assembly	1201	ELEMENT, engine oil filter, assembly	0107E
CRANKSHAFT, air compressor	2208	END, steering knuckle tie rod, assembly	1402
CRANKSHAFT, engine, assembly	0102	ENGINE, assembly	0100
CUP, brake master cylinder	1205	EXTENSION, exhaust pipe	0401-1
CUP, brake master cylinder check valve	1205	EXTENSION, fuel tank filler neck	0300
		EXTENSION, hand brake ratchet tube, assembly	1201-1
		EYELET, curtain fastener	2201A

ALPHABETICAL INDEX (Cont'd)

Item	Group	Item	Group
F			
FACING, engine clutch	0201A	GASKET, brake master cylinder filler cap	1205
FACING SET, engine clutch disk	0201A	GASKET, brake master cylinder outlet fitting	1205
FAN, assembly	0503A	GASKET, brake master cylinder outlet fitting bolt	1205
FASTENER, side curtain	2201F	GASKET, carburetor body flange to main body	0301
FASTENER, single post type, curtain	2201A	GASKET, carburetor bowl cover	0301
FASTENER, windshield curtain	1811	GASKET, carburetor metering rod jet and plug	0301
FENDER, front, assembly	1701	GASKET, carburetor needle seat and plug	0301
FERRULE, insulating, horn button	0609B	GASKET, carburetor nozzle	0301
FILLER, front bumper bar, wood	2101	GASKET, carburetor strainer plug	0301
FILLER, front fender brace, wood	1701	GASKET, carburetor to intake manifold	0301A
FILLER, rear floor pan cross sill	1802A	GASKET, cover, generator commutator end	0601-1
FILTER, oil, engine, assembly	0107E	GASKET, differential drive pinion shaft oil seal	1103 1104
FILTER, voltage regulator	2603	GASKET, engine crankcase ventilator to valve spring cover	0107N
FILTER-GROUP, assembly	2603	GASKET, engine crankshaft oil slinger	0102
FILTER-UNIT, generator ground to armature circuit	2603	GASKET, engine cylinder block to timing chain cover plate	0106D
FILTER-UNIT, generator regulator	2603	GASKET, engine cylinder head	0101A
FILTER-UNIT, generator regulator field	2603	GASKET, engine cylinder head water outlet elbow	0505
FITTING, alemite, winch drive support bracket	2001	GASKET, engine intake and exhaust manifold	0108
FITTING, grease, transfer case shift lever pivot pin	0805B	GASKET, engine intake to exhaust manifold	0108
FITTING, lubricating, brake pedal shaft	1204	GASKET, engine oil filler cap	0107H
FITTING, lubricating, hydraulic type, ball seal	1602	GASKET, engine oil filter cover	0107E
FITTING, outlet, brake master cylinder	1205	GASKET, engine oil filter cover bolt	0107E
FLANGE, carburetor body, assembly	0301	GASKET, engine oil pan	0107A
FLANGE, companion, transfer case output shaft	0803	GASKET, engine oil pan drain plug	0107A
FLANGE, drive, front axle shaft	1007	GASKET, engine oil pump cover	0107
FLANGE, exhaust pipe	0401	GASKET, engine oil pump cover to body screw	0107
FLAP, tire	2306	GASKET, engine oil pump oil relief spring retainer	0107
FLOAT, carburetor, assembly	0301	GASKET, engine oil pump shaft	0107
FLOAT, oil strainer, engine assembly	0107A-1	GASKET, engine oil pump to cylinder block	0107
FLYWHEEL, engine, assembly	0109	GASKET, engine oil strainer float support	0107A-1
FOLLOWER, air compressor piston	2208	GASKET, engine timing chain cover	0106D
FORK, shift, capstan winch	2003	GASKET, engine valve spring cover	0105C
FORK, shift, transmission low speed and reverse gear	0706C	GASKET, engine valve spring cover bolt	0105C
FORK, shift, transmission second and high speed gear	0706C	GASKET, exhaust pipe flange	0401
FORK, transfer case shift rod	0805A	GASKET, fuel pump bowl	0302
FRAME, assembly	1500	GASKET, fuel pump to block	0302A
FRAME, front seat, assembly	1804	GASKET, fuel pump valve	0302
FRAME, hold-down, battery	0610A	GASKET, fuel strainer bowl	0306B
FRAME, radiator guard, assembly	2103	GASKET, fuel strainer cover cap screw	0306B
FRAME, rear seat, assembly	1804	GASKET, fuel strainer unit	0306B
FRAME, rear seat back, assembly	1804	GASKET, fuel tank cap	0300
FRAME, rear seat cushion, assembly	1804A	GASKET, fuel tank gage	0300A
FRAME, tool compartment	1817	GASKET, generator commutator end bearing cap	0601-2
FRAME, windshield, assembly	1811 1811B	GASKET, generator commutator end cap cover	0601
FRAME, windshield, tubular, assembly	1811B	GASKET, generator commutator end cover oil guard	0601-1
FULCRUM, engine clutch release lever	0203	GASKET, generator commutator end plate cap	0601-2
G			
GAGE, fuel, assembly	0605	GASKET, generator regulator cover	0601B
GAGE, fuel, tank unit, assembly	0300A	GASKET, generator regulator terminal	0601B
GAGE, oil pressure, assembly	0605	GASKET, hand brake backing plate to rear bearing cap	1201-1
GASKET, air cleaner body	0301C	GASKET, housing, winch drive	2001
GASKET, air cleaner oil cup	0301C	GASKET, insulator, carburetor and intake manifold diffuser, assembly	0301A
GASKET, axle housing cover	1001 1101	GASKET, marker light door	0607D
GASKET, blackout light door	0607D	GASKET, propeller shaft universal joint trunnion	0902
GASKET, brake hose fitting	1209B	GASKET, radiator filler cap	0501
GASKET, brake hose fitting bolt	1209B	GASKET, rear axle shaft	1102
		GASKET, spark plug	0604B

ALPHABETICAL INDEX (Cont'd)

Item	Group	Item	Group
GASKET, steering gear housing side cover	1403A	GUSSET, front bumper	1500
GASKET, steering knuckle oil seal	1006	GUSSET, front floor toe board to frame, assembly	1802A
GASKET, transfer case cover	0801	H	
GASKET, transfer case output shaft front and rear bearing cap	0803	HANDLE, body	1800A
GASKET, transfer case output shaft front bearing cap	0801	HANDLE, hand brake	1201
GASKET, transfer case to transmission	0801	HANDLE, hand brake, assembly	1201-1
GASKET, transmission case to flywheel housing	0701	HANDLE, ignition switch	0604C
GASKET, transmission gearshift lever housing	0706A	HANDLE, lighting and blackout driving rotary switch	0606
GASKET, water pump to cylinder block	0503	HANDLE, operating, hand brake	1201-1
GASKET SET, carburetor	0301	HANDLE, rifle holder retainer, assembly	1820
GASKET SET, engine manifold	0108	HANDLE, winch shift rod	2003
GASKET SET, engine oil pan	0107A	HANDLE, windshield frame	1811
GASKET SET, engine overhaul	0101	HANDLE, windshield wiper, assembly	1811D
GASKET SET, engine, valve, regrind	0101	HARNES, wiring, body	0606B
GASKET SET, front axle	1000	HARNES, wiring, chassis	0606B
GASKET SET, fuel strainer	0306B	HARNES, wiring, generator to generator regulator	0606B
GASKET SET, rear axle	1100	HARNES, wiring, generator to voltage regulator	0606B
GASKET SET, service engine oil pump	0107	HARNES, wiring, headlight	0606B
GASKET SET, transfer case overhaul	0800	HEAD, cranking motor Bendix drive	0602
GASKET SET, transmission	0701	HEAD, cylinder, engine	0101A
GEAR, cluster, transmission countershaft, assembly	0704C	HEAD, generator, commutator end, assembly	0601
GEAR, clutch, transfer case output shaft	0803	HEAD, generator, drive end, assembly	0601
GEAR, differential	1003	HINGE, accelerator pedal	0303
GEAR, differential, side	1104	HINGE, glove compartment door, assembly	1809A
GEAR, drive, differential	1003	HINGE, headlight support	0607
	1104	HINGE, hood, assembly	1704
GEAR, drive, speedometer, transfer case	0810	HINGE, tool compartment lid, assembly	1817
GEAR, drive, transfer case	0802	HOLDER, cranking motor brush	0602
GEAR, driven, engine oil pump	0107	HOLDER, generator brush, assembly	0601-2
GEAR, driven, speedometer, transfer case	0810	HOLDER, rifle, assembly	1820
GEAR, main drive, transmission, assembly	0703	HOOD, assembly	1704
GEAR, ring, engine flywheel	0109B	HOOK, pintle	1502
GEAR, sliding, transfer case output shaft	0803	HORN, air, carburetor, assembly	0301
GEAR, steering, assembly	1403A	HORN, air cleaner	0301C
GEAR, transfer case intermediate shaft	0804	HORN, assembly	0609
GEAR, transfer case output shaft	0803	HOSE, air cleaner tube to cleaner	0301C
GEAR, transmission main shaft, assembly	0704	HOSE, air cleaner tube to oil filler tube	0301C
GEAR, transmission reverse idler, assembly	0704C	HOSE, air compressor, assembly	2208
GEAR, worm, capstan winch	2001	HOSE, connecting, radiator surge tank tube	0501C
GEAR SET, speedometer drive, transfer case	0810	HOSE, flexible, engine crankcase ventilator to oil filler tube	0107G
GENERATOR, assembly	0601	HOSE, front brake at axle tee, assembly	1209B
	0601-2	HOSE, front brake to axle, assembly	1209B
GLASS, windshield	1811	HOSE, radiator inlet	0505
GROMMET, engine oil filter bracket	0107E	HOSE, radiator inlet and outlet	0503
GROMMET, floor, transfer shift lever	1803	HOSE, radiator water outlet	0505
GROMMET, heat indicator tube through dash	0605	HOSE, rear brake at axle tee, assembly	1209B
GROMMET, rubber, windshield wiper tube through cowl	1811D	HOSE, windshield wiper tubing to engine	1811D-1
GROMMET, trailer coupling socket cable through floor pan	0606B	HOSE, windshield wiper tubing to tee	1811D-1
GROMMET, transfer case shift levers	0805B	HOUSING, blackout driving light, assembly	0607D
GROMMET, wiring harness through dash	0606B	HOUSING, cranking motor Bendix drive pinion, assembly	0602
GUARD, blackout driving lamp, assembly	2103A	HOUSING, engine flywheel	0109C
GUARD, exhaust pipe	1500	HOUSING, front axle, assembly	1001
GUARD, front wheel brake hose, assembly	1209B	HOUSING, headlight, assembly	0607
GUARD, oil, generator	0601	HOUSING, marker light, assembly	0607D
GUARD, oil, generator commutator end cover	0601-1	HOUSING, rear axle, assembly	1101
GUARD, radiator, assembly	2103	HOUSING, steering gear, assembly	1403A
GUIDE, adjusting generator brace	0601A	HOUSING, tail and stop light, assembly	0608
GUIDE, engine exhaust valve stem	0105	HOUSING, transmission gearshift lever, assembly	0706A
GUIDE, engine intake valve stem	0105	HUB, front and rear wheel, assembly	1302
GUIDE, rear axle shaft	1102		

ALPHABETICAL INDEX (Cont'd)

Item	Group	Item	Group
HUB, transmission main shaft second and high speed clutch	0704	KIT, repair, generator cutout relay	0601B
HUB, winch drive shaft, assembly	2001	KIT, repair, generator field coil	0601
I			
IMPELLER, water pump	0503	KIT, repair, generator voltage regulator	0601B
INDICATOR, engine oil level, assembly	0107H	KIT, repair, horn button	0609B
INDICATOR, heat, assembly	0605	KIT, repair, ignition wiring	0604A
INSULATION, cranking motor field coil	0602-1	KIT, repair, propeller shaft universal joint	0902
INSULATION, cranking motor field connection	0602	KIT, repair, shock absorber	1603
INSULATION, dustproof distributor terminal post	0603-1	KIT, repair, steering connecting rod	1401
INSULATION, generator regulator cut-out relay stationary bracket	0601B	KIT, repair, water pump	0503
INSULATION, generator regulator terminals	0601B	KIT, repair, water pump seal	0503
INSULATOR, carburetor main body to body flange	0301	KIT, repair, wiring harness	0606B
INSULATOR, engine front support, assembly	0110	KNOB, blackout driving lamp switch, assembly	0606
INSULATOR, engine rear support	0110	KNOB, carburetor choke or throttle, assembly	0303A
INSULATOR, exhaust pipe extension	0401-1	KNOB, instrument panel light switch, assembly	0606
INSULATOR, generator armature terminal post	0601	KNOB, lighting switch, assembly	0606
INSULATOR, generator brush holder	0601-2	KNOB, windshield adjusting arm	1811
INSULATOR, generator brush holder rivet	0601-2	KNUCKLE, steering	1006
INSULATOR, generator field coil connecting wire	0601-2	L	
INSULATOR, generator field connection	0601	LAMP, electric	0607B
INSULATOR, generator field terminal post	0601	LAMP-UNIT, blackout driving headlight, assembly	0607A
INSULATOR, generator support	0601A	LAMP-UNIT, blackout stop, assembly	0607A
INSULATOR, generator terminal screw	0601-2	LAMP-UNIT, blackout tail, assembly	0607A
INSULATOR, muffler support	0401	LAMP-UNIT, headlight, assembly	0607A
INSULATOR, transfer case support	0809	LAMP-UNIT, service tail and stop, assembly	0607A
INTERLOCK, transfer case shift rod	0805	LEAD, generator armature terminal, assembly	0601
J			
JET, carburetor idle well	0301	LEAD, generator voltage regulator armature to base	0601B
JET, carburetor low speed, assembly	0301	LEAF, front spring	1601
JET, carburetor metering rod, assembly	0301	LEAF, rear spring	1601A
JET, carburetor pump	0301	LEAF, torque reaction spring	1601C
JOINT, universal, axle shaft, assembly	1007	LEVER, accelerator cross shaft, assembly	0303
JOINT, universal, winch drive shaft, assembly	2001	LEVER, cam, hand brake	1201-1
JOURNAL, universal joint, assembly	0902	LEVER, carburetor choke, assembly	0301
K			
KEY, engine heat control valve lever	0108C	LEVER, carburetor choke control, assembly	0301
KEY, ignition switch	0604C	LEVER, counterweight engine heat control valve	0108C
KIT, field, capstan winch	2000	LEVER, engine clutch control, assembly	0204A
KIT, repair, axle shaft and universal joint	1007	LEVER, engine clutch pressure spring	0202
KIT, repair, brake master cylinder	1205	LEVER, engine clutch release	0203
KIT, repair, brake wheel cylinder	1207	LEVER, operating, carburetor pump, assembly	0301
KIT, repair, carburetor	0301	LEVER, operating, hand brake, assembly	1201-1
KIT, repair, cranking motor	0602	LEVER, shift, transfer case	0805B
KIT, repair, cranking motor Bendix drive	0602	LEVER, transmission gearshift, assembly	0706A
KIT, repair, cranking motor field coil	0602	LID, tool compartment, assembly	1817
KIT, repair, differential case gears	1003	LIGHT, blackout tail and blackout stop, assembly	0608
	1104	LIGHT, blackout tail and service tail and stop, assembly	0608
	1104	LIGHT, driving, blackout, assembly	0607D
KIT, repair, differential drive gear and pinion	1104	LIGHT, head, service, assembly	0607
KIT, repair, distributor	0603	LIGHT, marker, assembly	0607D
KIT, repair, dustproof distributor	0603-1	LINER, body sill	1800B
KIT, repair, engine clutch cover	0202	LINER, radiator guard hood	2103
KIT, repair, engine oil pump	0107	LINING, brake shoe	1202
KIT, repair, front axle universal joint	1007	LINING, hand brake	1201
KIT, repair, fuel pump	0302	LINING SET, brake shoe	1201-1
KIT, repair, fuel pump bowl	0302	LINING SET, hand brake	1201
KIT, repair, generator	0601	LINK, carburetor choke	0301
KIT, repair, generator current regulator	0601B	LINK, connecting, accelerator pedal	0303
		LINK, connector, carburetor pump	0301
		LINK, fuel pump rocker arm	0302
		LINK, hand brake cable crank	1201

ALPHABETICAL INDEX (Cont'd)

Item	Group	Item	Group
LINK, hand brake cam to transfer case	1201	NUT, wing, crank retaining bracket	1802A
LINK, hand brake operating lever	1201-1	NUT, wing, headlight mounting bracket bolt	0607
LINK, hand brake retracting spring	1201-1	NUT, wing, on rear seat for tire pump	1804
LOCK, engine valve spring retainer	0105	O	
LOCK, glove compartment door, assembly	1809A	OIL SEAL, axle shaft	1007
LOCK, spring shackle bolt, assembly	1602		1102
LOCK, tool compartment lid, assembly	1817	OIL SEAL, differential drive pinion bearing	1003
LOOP, footman	1800A		1104
	2201A	OIL SEAL, felt, steering knuckle	1006
LOOP, hold-down, windshield	1811	OIL SEAL generator commutator end	0601-2
M		OIL SEAL, generator drive end bearing	0601-2
MANIFOLD, engine intake and exhaust, assembly	0108	OIL SEAL, steering gear lever shaft	1403A
MANIFOLD, exhaust, engine, assembly	0108	OIL SEAL, steering knuckle, assembly	1006
MANIFOLD, intake, engine, assembly	0108	OIL SEAL, transfer case output shaft front and rear bearing cap	0803
MEMBER, cross, frame, assembly	1500	OIL SEAL, transfer case shift rod	0805
MIRROR, rear view, assembly	2202	OIL SEAL, transmission main drive gear bearing retainer	0703
MOTOR, cranking, assembly	0602	OIL SEAL, transmission main shaft	0704
	0602-1	OIL SEAL, wheel bearing	1301B
MOTOR, vacuum, windshield wiper	1811D-1	OIL SEAL SET, transfer case	0800
MUFFLER, assembly	0401	OILER, distributor shaft	0603
MUFFLER, deep mud, assembly	0401-1	OILER, generator	0601
N		OUTRIGGER, body, rear	1500
NECK, fuel tank well drain hole	0300	P	
NIPPLE, rubber, marker lamp	0607D	PACKING, engine crankshaft	0102A
NOZZLE, carburetor	0301	PACKING, engine crankshaft rear bearing cap	0102A
NUT, adjusting, hand brake band	1201	PACKING, transmission gearshift lever housing	0706A
NUT, adjusting, horn	0609	PAD, brake pedal, assembly	1204
NUT, air compressor cylinder head stud	2208	PAD, crash, front seat body side, assembly	1804A
NUT, battery hold-down	0610A	PAD, dash panel	1804A
NUT, brake tube	1209C	PAD, engine clutch control tube	0204A
NUT, cap, air compressor cylinder	2208	PAD, engine clutch pedal, assembly	0204
NUT, carburetor tube clamp	0301	PAD, mounting, marker lamp	0607D
NUT, clinch, cowl side panel for front fender	1802A	PADDING, windshield glass	1811B
NUT, clinch, dash to frame brace; fender brace to frame	1500	PAN, front floor	1802A
NUT, clinch, drain plug in floor	1802A	PAN, oil, engine, assembly	0107A
NUT, clinch, front floor rear cross sill, assembly	1802A	PAN, rear floor	1802A
NUT, clinch, regulator to apron	1702	PANEL, body	1802A
NUT, clinch, splasher apron to frame	1500	PANEL, cowl	1802A
NUT, clinch, transmission cover	1802A	PANEL, dash, assembly	1802A
NUT, clinch, transmission cover and accelerator pedal	1802A		1809
NUT, engine crankshaft, assembly	0102	PANEL, front seat body side crash pad, assembly	1804
NUT, engine valve tappet adjusting screw	0105A	PANEL, instrument, assembly	1809
NUT, generator regulator adjusting screw	0601B	PANEL, rear wheel house	1802A
NUT, glove compartment door lock	1809A	PANEL, windshield	1811
NUT, hand brake operating lever	1201-1	PAULIN, deck top, assembly	2201
NUT, inverted flared tube, windshield wiper tube to manifold	1811D-1	PEDAL, accelerator, assembly	0303
NUT, lock, engine clutch lever adjusting screw	0202	PEDAL, brake, assembly	1204
NUT, lock, hand brake operating lever nut	1201-1	PEDAL, engine clutch	0204
NUT, mounting, ignition switch	0604C	PIECE, pole, cranking motor	0602
NUT, socket terminal	0606F	PIECE, pole, generator	0601
NUT, spare wheel to carrier stud	1505	PIECE, windshield frame upper cross, assembly	1811
NUT, starting switch terminal	0606	PILLAR, cowl	1802
NUT, terminal clamp bolt	0610B	PILOT, front axle universal joint	1007
NUT, thumb, fuel pump strainer	0302	PIN, air compressor piston	2208
NUT, transmission mainshaft	0802	PIN, brake shoe anchor	1203
NUT, wheel bearing	1301A	PIN, carburetor float lever	0301
NUT, wheel divided rim bolt	1301	PIN, carburetor intake needle	0301
NUT, wheel hub bolt	1302A	PIN, carburetor metering rod	0301
NUT, windshield frame screw	1811	PIN, clevis, hand brake cable crank to link and link to cam	1201

ALPHABETICAL INDEX (Cont'd)

Item	Group	Item	Group
PIN, clevis, hand brake cam to link on transfer case	1201	PLATE, muffler support insulator	0401
PIN, clevis, hand brake ratchet tube	1201-1	PLATE, name	2203
PIN, clevis, headlight support bolt	0607	PLATE, pressure, engine clutch, assembly	0202
PIN, distributor cap spring hinge	0603	PLATE, reinforcement, frame	1500
PIN, dowel, cranking motor intermediate bearing	0602	PLATE, rifle holder retainer clamp handle	1820
PIN, dowel, crankshaft bearing	0102A	PLATE, shifting	2203
PIN, dowel, flywheel to crankshaft	0109	PLATE, shifting, transmission main shaft synchronizer	0704
PIN, dowel generator commutator end head	0601	PLATE, skid, exhaust pipe guard	1500
PIN, dowel, generator end plate	0601-2	PLATE, spring clip, assembly	1602
PIN, drive, winch drive shaft hub	2001	PLATE, stop, brake master cylinder piston	1205
PIN, engine piston	0103B	PLATE, tapping, ax clamp	1802A
PIN, front axle universal joint pilot	1007	PLATE, tapping, driver seat	1802A
PIN, fuel pump rocker arm	0302	PLATE, tapping, glove compartment hinge	1809A
PIN, fulcrum, transmission gearshift lever guide plate	0706A	PLATE, tapping, hood hinge	1802A
PIN, guide, transmission gearshift fork	0706C	PLATE, tapping, radiator surge tank	0501C
PIN, king	1006	PLATE, tapping, shovel clamp	1802A
PIN, lock, differential pinion shaft	1003	PLATE, tapping, windshield clamp catch	1811
	1104	PLUG, adjusting, steering connecting rod ball seat	1401
PIN, lock, king pin	1006	PLUG, body drain hole cover	1802A
PIN, pivot, engine clutch pressure spring lever	0202	PLUG, carburetor idle port rivet	0301
PIN, pivot, transfer case shift lever	0805B	PLUG, carburetor low speed jet and idle well passage, assembly	0301
PIN, steering bell crank shaft	1401	PLUG, carburetor nozzle retainer	0301
PIN, transmission countershaft washer	0704C	PLUG, carburetor pump jet and nozzle passage	0301
PIN, transmission gearshift lever fulcrum ball	0706A	PLUG, carburetor strainer passage assembly	0301
PIN, winch drive shaft thrust washer	2001	PLUG, drain and filler, transmission	0701
PINION, differential	1003	PLUG, drain, axle housing	1001
	1104		1101
PINION, engine oil pump	0107	PLUG, drain, engine oil filter	0107E
PIPE, drain, engine crankshaft rear bearing cap	0102A	PLUG, drain, engine oil pan	0107A
PIPE, exhaust, assembly	0401	PLUG, drain, fuel strainer	0306B
PISTON, air compressor, assembly	2208	PLUG, drain, transfer case	0801
PISTON, brake master cylinder, assembly	1205	PLUG, engine intake manifold	0108
PISTON, brake wheel cylinder, assembly	1207	PLUG, engine oil pump cover	0107
PISTON, engine, assembly	0102A	PLUG, expansion, cylinder block	0101
PISTON, wheel cylinder, assembly	1207	PLUG, expansion, engine camshaft rear bearing	0106A
PIVOT, top bow, assembly	2201A	PLUG, expansion, steering gear housing	1403A
PLATE, back, clincher	2201A	PLUG, feeler, steering arm knuckle	1006
PLATE, backing, front and rear brake, assembly	1203	PLUG, filler, axle housing	1001
PLATE, backing, hand brake, assembly	1201-1		1101
PLATE, brake shoe anchor pin	1203	PLUG, filler, steering gear housing	1403A
PLATE, breaker, distributor, assembly	0603	PLUG, filler, transfer case	0801
PLATE, breaker, dustproof distributor, assembly	0603-1	PLUG, generator commutator end cover	0601-1
PLATE, caution	2203	PLUG, pipe, cylinder block oil hole	0101
PLATE, cranking motor, commutator end assembly	0602	PLUG, pipe, drain, cylinder water jacket	0101
PLATE, disk, engine clutch, assembly	0201	PLUG, pipe, fuel tank drain plug	0300
PLATE, distributor cam and stop	0603	PLUG, rivet, carburetor	0301
PLATE, dustproof distributor cam and stop	0603-1	PLUG, spark, assembly	0604B
PLATE, engine cylinder block to flywheel housing	0109C	PLUG, steering connecting rod ball seat spring	1401
PLATE, engine cylinder block to timing chain cover	0106D	PLUG, transfer case shift rod poppet	0805
PLATE, escutcheon, rotary lighting switch	0606	PLUG, vent, axle housing	1001
PLATE, exhaust pipe extension	0401-1		1101
PLATE, floor seal, dimmer switch	1803	PLUNGER, carburetor pump, assembly	0301
PLATE, front spring clip, assembly	1602	PLUNGER, distributor contact spring	0603
PLATE, generator commutator end, assembly	0601-2	PLUNGER, engine oil pump relief	0107
PLATE, generator drive end, assembly	0601-2	PLUNGER, thrust, engine camshaft	0106
PLATE, guide, transmission gearshift lever	0706A	PLUNGER, transmission gearshift rail interlock	0706B
PLATE, instruction, combat wheels	1301	POINT SET, distributor	0603
PLATE, lock, transfer case intermediate shaft	0804	POST, generator armature terminal	0601
PLATE, lock, transmission countershaft and reverse idler shaft	0704C	POST, generator field, terminal	0601
PLATE, mounting, machine gun	1500	POST, terminal, cranking motor	0602
		POST, terminal, dustproof distributor base, assembly	0603-1

ALPHABETICAL INDEX (Cont'd)

Item	Group	Item	Group
PROTECTOR, fuel gage, tank unit	0300A	RING, horn wire contact, assembly	0609B
PULLEY, air compressor flywheel, assembly	2208	RING, lock, wheel bead	1301
PULLEY, crankshaft	2208	RING, mounting, blackout driving light lamp-unit	0607D
PULLEY, drive, generator, assembly	0601	RING, retaining, air compressor piston pin	2208
PULLEY, engine crankshaft	0102	RING, retaining, distributor cam	0603
PULLEY, fan and water pump	0503A	RING, retaining, engine timing chain cover packing	0106D
PULLEY, generator, assembly	0601-2	RING, retaining, steering gear worm ball	1403A
PUMP, fuel, assembly	0302	RING, take-up, cranking motor, Bendix drive	0602
PUMP, oil, engine, assembly	0107	RING, windshield thumb screw chain	1811
PUMP, water, assembly	0503	RING SET, engine piston	0103A
R			
RACE, front axle universal joint	1007	RISER, front to rear floor pan, assembly	1802A
RAIL, shift, capstan winch	2003	RIVET, blade to arm	1811D
RAIL, shift, transmission low speed and reverse gear	0706B	RIVET, transmission gearshift lever housing	0706A
RAIL, shift, transmission second and high speed gear	0706B	ROD, brace, radiator core	0501
REFLECTOR, reflex, assembly	2203A	ROD, connecting, air compressor	2208
REGULATOR, generator, assembly	0601B-1	ROD, connecting, carburetor throttle	0301
RESISTANCE, carbon, generator regulator	0601B	ROD, connecting, engine, assembly	0104
RESISTANCE, generator regulator, carbon	0601B-1	ROD, connecting, steering, assembly	1401
RESISTOR, blackout driving light	0606E	ROD, engine clutch release lever	0204A
REST, foot, accelerator	0303	ROD, metering, carburetor	0301
REST, foot, rear floor, assembly	1802A	ROD, push, brake master cylinder	1205
RETAINER, axle shaft, front axle universal joint	1007	ROD, shift, capstan winch	2003
RETAINER, brake master cylinder check valve cup	1205	ROD, shift, transfer case	0805
RETAINER, carburetor spring	0301	ROD, throttle, accelerator	0303
RETAINER, dust shield	0606F	ROD, tie, steering knuckle, assembly	1402
RETAINER, engine clutch control tube spring	0204A	ROPE	2002
RETAINER, engine crank	1802A	ROTOR, distributor	0603
RETAINER, engine crankshaft front packing	0102A	S	
RETAINER, engine oil pump oil relief spring	0107	SCREEN, filtering fuel pump, assembly	0302
RETAINER, engine valve spring	0105	SCREW, adjusting, engine clutch lever	0202
RETAINER, generator commutator end head felt washer	0601	SCREW, adjusting, engine valve tappet	0105A
RETAINER, generator commutator end oil seal	0601-2	SCREW, adjusting, generator regulator	0601B
RETAINER, generator drive end bearing	0601	SCREW, adjusting, hand brake	1201-1
RETAINER, generator drive end bearing grease	0601-2	SCREW, adjusting, steering gear lever shaft	1403A
RETAINER, generator drive end bearing oil seal	0601-2	SCREW, adjustment, carburetor idler	0301
RETAINER, generator drive end head felt washer	0601	SCREW, adjustment, carburetor throttle lever	0301
RETAINER, headlight mounting bolt	0607	SCREW, attaching, carburetor air horn	0301
RETAINER, pedal shaft, assembly	1204 1500	SCREW, attaching, fuel strainer cover	0306B
RETAINER, propeller shaft universal joint trunnion gasket	0902	SCREW, blackout driving light ground	0607D
RETAINER, radiator guard to fender nut	2103	SCREW, bleeder, brake wheel cylinder	1207
RETAINER, rear seat pivot tube	1804	SCREW, carburetor choke lever bracket	0301
RETAINER, spring shackle grease seal	1602	SCREW, carburetor choke valve	0301
RETAINER, steering knuckle oil seal	1006	SCREW, carburetor tube clamp	0301
RETAINER, thermostat	0502	SCREW, carburetor wire clamp	0301
RETAINER, tire pump foot	1804	SCREW, cranking motor Bendix head spring	0602
RETAINER, tire pump handle	1804	SCREW, cranking motor Bendix shaft spring	0602
RETAINER, transmission main drive gear bearing	0703	SCREW, differential drive gear	1003
RETAINER, windshield hold down catch	1811	SCREW, differential driven gear	1104
RIM, wheel, assembly	1301	SCREW, distributor breaker arm	0603
RING, blocking, transmission main shaft synchronizer	0704	SCREW, distributor breaker contact	0603
RING, brake master cylinder secondary cup	1205	SCREW, dustproof distributor terminal post connector	0603-1
RING, engine piston	0103A	SCREW, footman loop hole plug cap	1802A
RING, floor, gearshift lever housing cover	1803	SCREW, generator drive end bearing retainer	0601
RING, floor seal, steering column	1803	SCREW, generator field terminal	0601-2
RING, floor, transmission shift lever grommet	1803	SCREW, generator ground	0601
		SCREW, generator ground terminal	0601-2
		SCREW, generator pole piece	0601-2
		SCREW, generator regulator terminal	0601B
		SCREW, ignition switch terminal	0604C
		SCREW, lighting switch terminal	0606
		SCREW, lock, transmission gearshift fork	0706C
		SCREW, mach., case mounting and lead connecting	0601B

ALPHABETICAL INDEX (Cont'd)

Item	Group	Item	Group
SCREW, mach., lead connection and ground connection	0601B	SHEATH, ax.	1802A
SCREW, pivot, windshield adjusting arm	1811	SHIELD, air cleaner, assembly	0301C
SCREW, thumb, top bow, assembly	2201A	SHIELD, brake cylinder, assembly	1205
SCREW, windshield bracket	1811	SHIELD, dust, propeller shaft flange	0902
SCREW, windshield frame	1811	SHIELD, dust, steering bell crank bearing	1401
SCREW, windshield pivot	1811	SHIELD, dust, steering connecting rod dust cover	1401
SEAL, air compressor crankshaft bearing sleeve	2208	SHIELD, dust, transfer case companion flange and universal joint end yoke	0803
SEAL, carburetor air cleaner tube clamp	0301C	SHIELD, dust, universal joint end yoke, differential drive pinion shaft	1003
SEAL, carburetor and air cleaner horn	0301C	SHIELD, fan pulley	1104
SEAL, dust, steering knuckle tie rod	1402	SHIELD, fuel tank, driver seat to rear floor	0503A
SEAL, dustproof distributor breaker plate	0603-1	SHIELD, instrument lamp, assembly	0300
SEAL, engine clutch control tube, dust	0204A	SHIELD, radiator surge tank, assembly	0605C
SEAL, floor, accelerator pedal rod	1803	SHIELD, radiator surge tank, assembly	0501C
SEAL, floor, brake cylinder inspection cover	1803	SHIM, adjusting, differential bearing	1003
SEAL, floor, fuel line hole	1803	SHIM, adjusting, differential case bearing	1003
SEAL, floor, gearshift lever housing cover	1803	SHIM, adjusting, differential case bearing	1104
SEAL, floor, headlight foot switch	1803	SHIM, adjusting, differential drive pinion	1003
SEAL, floor, starter switch	1803	SHIM, adjusting, differential drive pinion	1104
SEAL, floor, steering column	1803	SHIM, adjusting, differential drive pinion bearing	1003
SEAL, floor, transmission cover	1803	SHIM, adjusting, differential drive pinion bearing	1104
SEAL, fuel pump pull rod	0302	SHIM, adjusting, front axle universal joint	1007
SEAL, fuel pump strainer bowl	0302	SHIM, adjusting, king pin bearing	1006
SEAL, fuel tank stone guard	1803	SHIM, engine crankshaft	0102
SEAL, generator regulator lead and wire	0601B	SHIM, engine crankshaft	1219
SEAL, glove compartment door	1803	SHIM, engine front support insulator	0110
SEAL, grease, spring shackle	1602	SHIM, engine oil pump oil relief spring	0107
SEAL, radiator side air deflector	1803	SHIM, mounting, steering column	1405
SEAL, radiator side air deflector to radiator	1803	SHIM, radiator core to support bracket	0501
SEAL, radiator top air deflector	1803	SHIM, steering gear housing upper cover	1403A
SEAL, radiator top air deflector to radiator	1803	SHIM, steering gear mounting	1403A
SEAL, steering bell crank shaft bearing	1401	SHIM, transfer case output shaft rear bearing cap	0801
SEAL, tool compartment lid	1817	SHIM SET, adjusting, front axle universal joint	1007
SEAL, water pump, assembly	0503	SHIM SET, differential case bearing	1003
SEAL, weather, spark plug cables, distributor end	0604A	SHIM SET, differential case bearing	1104
SEAT, ball, steering connecting rod	1401	SHIM SET, differential drive pinion bearing	1003
SEAT, brake master cylinder check valve	1205	SHIM SET, differential drive pinion bearing	1104
SEAT, steering column upper bearing spring	1403A	SHIM SET, king pin bearing	1006
SEAT, trimmed, assembly	1804C	SHIM SET, steering gear housing upper cover	1403A
SHACKLE, torque reaction spring	1601C	SHIM SET, transfer case output shaft rear bearing cap	0801
SHAFT, brake pedal, assembly	1204	SHOE, brake, assembly	1202
SHAFT, carburetor throttle, assembly	0301	SHOE, hand brake, assembly	1201-1
SHAFT, cranking motor Bendix drive, assembly	0602	SILL, cross, front floor pan, assembly	1802A
SHAFT, cross, accelerator	0303	SILL, cross, rear floor pan	1802A
SHAFT, differential pinion	1003	SLEEVE, bearing, air compressor crankshaft	2208
SHAFT, differential pinion	1104	SLEEVE, compression, cranking motor Bendix drive	0602
SHAFT, drive, capstan winch, assembly	2001	SLEEVE, speedometer driven gear, transfer case	0810
SHAFT, drive, distributor, assembly	0603	SLEEVE, transmission main shaft second and high speed clutch	0704
SHAFT, drive, dustproof distributor, assembly	0603-1	SLINGER, oil, differential drive pinion bearing	1003
SHAFT, engine heat control valve	0108C	SLINGER, oil, differential drive pinion bearing	1104
SHAFT, engine oil pump, assembly	0107	SLINGER, oil, engine crankshaft	0102
SHAFT, flexible, speedometer drive, assembly	2204	SNAP RING, front axle universal joint shaft retainer	1007
SHAFT, front axle	1007	SNAP RING, propeller shaft universal joint trunnion bearing	0902
SHAFT, lever, steering gear, assembly	1403A	SNAP RING, steering column	1403A
SHAFT, main, transmission, assembly	0704	SNAP RING, transfer case output clutch shaft bearing	0803
SHAFT, output, transfer case, assembly	0803	SNAP RING, transfer case output shaft	0803
SHAFT, propeller, assembly	0901	SNAP RING, transmission main drive gear	0703
SHAFT, rear axle	1102		
SHAFT, spline, capstan winch	2001		
SHAFT, steering bell crank	1401		
SHAFT, transfer case, intermediate	0804		
SHAFT, transfer case output clutch	0803		
SHAFT, transmission reverse idler gear	0704C		
SHAFT and WORM, steering gear, assembly	1403A		

ALPHABETICAL INDEX (Cont'd)

Item	Group	Item	Group
SNAP RING, transmission main drive gear bearing	0703	SPRING, front, assembly	1601
SNAP RING, transmission main drive gear pilot roller bearing	0703	SPRING, front seat back, assembly	1804A
SNAP RING, transmission main shaft second and high speed clutch hub	0704	SPRING, front seat body side crash pad, assembly	1804A
SNUBBER, transfer case support insulator	0809	SPRING, front seat cushion, assembly	1804A
SOCKET, accelerator pedal link	0303	SPRING, fuel pump diaphragm	0302
SOCKET, curtain fastener	2201A	SPRING, fuel pump rocker arm	0302
SOCKET, instrument lamp, assembly	1605C	SPRING, fuel strainer unit	0306B
SOCKET, trailer electric coupling, assembly	0606F	SPRING, generator brace	0601A
SPACER, axle bumper	1601B	SPRING, generator brush	0601
SPACER, capstan winch drive	2001	SPRING, generator current regulator and voltage regulator armature	0601B
SPACER, differential drive pinion bearing	1003 1104	SPRING, generator regulator cut-out relay	0601B
SPACER, engine crankshaft sprocket	0106C	SPRING, hand brake band anchor clip bolt	1201
SPACER, frame cross member, intermediate front bracket	1500	SPRING, hand brake handle ratchet	1201
SPACER, front bumper gusset	1500 2101	SPRING, hand brake operating lever spacer	1201-1
SPACER, generator brace	0601A-1	SPRING, hand brake ratchet tube	1201-1
SPACER, generator end plate	0601-2	SPRING, horn button	0609B
SPACER, generator shaft	0601	SPRING, poppet, capstan winch	2001
SPACER, hand brake conduit clamp	1201-1	SPRING, pressure, engine clutch	0202
SPACER, mounting, generator front end plate	0601A-1	SPRING, rear, assembly	1601A
SPACER, mounting plate to frame	2001	SPRING, releasing, hand brake band	1201
SPACER, spare wheel support	1505	SPRING, retaining, rear seat frame	1804
SPACER, steering gear to frame bolt	1403A	SPRING, retaining, rifle holder, assembly	1820
SPACER, thrust, cranking motor bearing	0602	SPRING, retaining, water pump bearing	0503
SPACER, transmission countershaft gear bushing	0704C	SPRING, retracting, accelerator	0303
SPACER, transmission main shaft bearing	0704	SPRING, retracting, engine clutch pedal	0204
SPACER, windshield adjusting arm	1811	SPRING, retracting, hand brake cam	1201
SPEEDOMETER, assembly	2204	SPRING, return, brake master cylinder piston, assembly	1205
SPINDLE, front wheel, assembly	1006	SPRING, return, brake shoe	1203
SPRING, accelerator cross shaft	0303	SPRING, return, engine clutch pressure plate	0202
SPRING, accelerator pedal hinge	0303	SPRING, return, hand brake shoe	1201-1
SPRING, air cleaner toggle	0301C	SPRING, rifle holder retainer handle cam	1820
SPRING, air compressor charge valve	2208	SPRING, seat back, assembly	1804A
SPRING, air compressor latch	2208	SPRING, seat cushion, assembly	1804A
SPRING, brake wheel cylinder cup	1207	SPRING, steering column upper bearing	1403A
SPRING, carburetor choke pull back	0301	SPRING, steering connecting rod ball seat	1401
SPRING, carburetor connector link	0301	SPRING, steering knuckle tie rod socket stud	1402
SPRING, carburetor connector rod	0301	SPRING, support, transmission gearshift lever	0706A
SPRING, carburetor idle adjustment screw	0301	SPRING, torque reaction, assembly	1601C
SPRING, carburetor intake needle	0301	SPRING, transfer case shift lever	0805B
SPRING, carburetor metering rod	0301	SPRING, transfer case shift rod poppet	0805
SPRING, carburetor pin	0301	SPRING, transmission gearshift lever guide plate	0706A
SPRING, carburetor plunger	0301	SPRING, transmission gearshift rail poppet ball	0706B
SPRING, carburetor pump	0301	SPRING, transmission main shaft synchronizer	0704
SPRING, carburetor pump arm	0301	SPRING, water pump seal	0503
SPRING, cranking motor Bendix drive	0602	SPRING SET, distributor governor weight	0603
SPRING, cranking motor brush	0602	SPRING SET, dustproof distributor governor weight	0603-1
SPRING, distributor, antirattle	0603	SPROCKET, engine camshaft	0106C
SPRING, distributor breaker arm	0603	SPROCKET, engine crankshaft	0106C
SPRING, distributor cap	0603	STOP, engine heat control valve spring	0108C
SPRING, distributor contact	0603	STOP, generator commutator end bearing	0601-2
SPRING, engine camshaft thrust plunger	0106	STOP, throttle wire, assembly	0303A
SPRING, engine clutch control tube	0204A	STRAINER, air intake, air compressor, assembly	2208
SPRING, engine clutch release bearing carrier	0203	STRAINER, body side panel to wheel house	1802A
SPRING, engine heat control valve	0108C	STRAINER, carburetor pump check	0301
SPRING, engine oil filter cover bolt	0107E	STRAINER, fuel, assembly	0306B
SPRING, engine oil pump oil relief plunger	0107	STRAINER-UNIT, fuel, assembly	0306B
SPRING, engine valve	0105	STRAP, battery frame to front fender	0610A
SPRING, engine valve tappet clearance	0105	STRAP, battery ground	0610B
SPRING, friction, distributor shaft	0603	STRAP, choke and throttle controls and oil gage to dash	2603
		STRAP, cowl to hood	2603

ALPHABETICAL INDEX (Cont'd)

Item	Group	Item	Group
STRAP, cylinder head to dash	2603	TERMINAL, battery cable	0610B
STRAP, engine front plate to frame	2603	TERMINAL, battery, positive cable clamp	0610B
STRAP, exhaust pipe ground connection to frame	2603	TERMINAL, battery to cranking motor switch	0610B-1
STRAP, gas line to dash	2603	TERMINAL, coil cable	0604A
STRAP, generator mounting bolt to starter motor bracket	2603	TERMINAL, cranking motor field coil	0602
STRAP, generator regulator ground	2603	TERMINAL, generator armature lead	{ 0601 0601-1
STRAP, hand brake cable, speedometer cable, heat indicator cable to dash	2603	TERMINAL, generator field	0601
STRAP, hold-down, assembly	2201A	TERMINAL, negative, battery cable	0610B-1
STRAP, hold-down, fuel tank, assembly	0300	TERMINAL, positive, battery cable	0610B
STRAP, hood to brush guard	2603	TERMINAL, spark plug cable	0604A
STRAP, hood to cowl	2603	THERMOSTAT, assembly	0502
STRAP, ignition coil to cylinder block	2603	TIRE, pneumatic	2306
STRAP, lock, differential drive gear screw	{ 1003 1104	TRANSMISSION, assembly	0700
STRAP, mounting, radiator surge tank	0501C	TUBE, air cleaner, assembly	0301C
STRAP, muffler support	0401	TUBE, brake axle tee to brake hose, assembly	1209C
STRAP, radiator stud to frame	2603	TUBE, brake axle tee to brake wheel cylinder	1209C
STRAP, rear engine support to frame cross member stud	2603	TUBE, brake axle tee to wheel cylinder brake	1209C
STRAP, safety, assembly	1804	TUBE, brake master cylinder to hose, assembly	1209C
STRAP, spare gasoline can, assembly	1817A	TUBE, brake wheel cylinder to axle hose, assembly	1209C
STRAP, support, exhaust pipe extension clamp	0401-1	TUBE, connecting, radiator water inlet	0505
STRAP, transfer case to body floor stud	2603	TUBE, cross, frame, front	1500
STRAP, top lock, assembly	2201A	TUBE, engine crankcase ventilator valve, assembly	0107N
STRAP, top roll, assembly	2201A	TUBE, engine oil filler, assembly	0107G
STRIKER, glove compartment door lock	1809A	TUBE, engine oil filter inlet, assembly	0107J
STRIKER, tool compartment lid lock	1817	TUBE, flexible connection to fuel pump, assembly	0304
STRIP, pressure, steering knuckle oil seal	1006	TUBE, flexible oil filter outlet and oil gage tube	0107J
STUD, air compressor cylinder, assembly	2208	TUBE, fuel filter to flexible connection, assembly	0304
STUD, air compressor cylinder head	2208	TUBE, fuel pump to carburetor, assembly	0304
STUD, ball, engine clutch control	0204A	TUBE, fuel tank to filter, assembly	0304
STUD, carburetor to manifold	0301A	TUBE, fuel tank to flexible connection	0304
STUD, engine camshaft thrust plunger	0106	TUBE, oil gage, assembly	0107J
SUPPORT, battery, assembly	1500	TUBE, propeller shaft, assembly	0901
SUPPORT, cranking motor to block	0602	TUBE, radiator surge tank	0501C
SUPPORT, engine oil strainer float	0107A-1	TUBE, speedometer drive, assembly	2204
SUPPORT, generator, assembly	0601A	TUBE, steering knuckle tie rod	1402
SUPPORT, hand brake ratchet tube bracket	1201	TUBING, windshield wiper	1811D-1
SUPPORT, headlight, assembly	0607	TUBING, windshield wiper, intake manifold, assembly	1811D-1
SUPPORT, rear body to frame	1802A		
SUPPORT, rear seat frame to wheel house	1804	U	
SUPPORT, steering column	1405	U-BOLT, propeller shaft universal joint bearing	0902
SUPPRESSOR, ignition	2603	U-BOLT, spring shackle	1602
SWITCH, blackout driving light, assembly	0606	UNION, flexible connection to tube assembly	0107J
SWITCH, dimmer, headlight, foot, assembly	0606	UNION, inverted flared tube connector	1811D-1
SWITCH, ignition, assembly	0604C		
SWITCH, instrument panel light	0606	V	
SWITCH, lighting and blackout driving light	0606	VALVE, carburetor choke, assembly	0301
SWITCH, lighting, assembly	0606	VALVE, carburetor needle, assembly	0301
SWITCH, starting	0606	VALVE, carburetor, throttle	0301
SWITCH, stop light	0606	VALVE, check, brake master cylinder, assembly	1205
SYNCHRONIZER, transmission main shaft, assembly	0704	VALVE, discharge, air compressor	2208
		VALVE, engine crankcase ventilator, assembly	0107N
T		VALVE, engine heat control	0108C
TANK, fuel, assembly	0300	VALVE, exhaust, engine	0105
TANK, supply, brake master cylinder	1205	VALVE, fuel pump, assembly	0302
TANK, surge, radiator, assembly	0501C	VALVE, intake, engine	0105
TAPPET, engine valve, assembly	0105A		
TEE, air compressor	2208	W	
TEE, brake tube axle	1209C	WASHER, adjusting, blackout driving light	0607D
TEE, windshield wiper motor connecting	1811D-1	WASHER, anti-rattle, top bow pivot	2201A
		WASHER, curtain eyelet fastener	2201A
		WASHER, distributor breaker arm screw	0603
		WASHER, dustproof distributor plate	0603-1

ALPHABETICAL INDEX (Cont'd)

Item	Group	Item	Group
WASHER, engine clutch lever adjusting screw	0202	WASHER, thrust, distributor advance arm	0603
WASHER, engine clutch pedal shaft	0204	WASHER, thrust, distributor drive shaft	0603
WASHER, engine heat control valve spring	0108C	WASHER, thrust, engine camshaft	{0102 0106
WASHER, fan pulley shield	0503A	WASHER, thrust, front axle shaft to housing	1007
WASHER, fan pulley shield retaining bolt	0503A	WASHER, thrust, transfer case intermediate shaft gear	0804
WASHER, fuel pump diaphragm spring seat	0302	WASHER, thrust, transfer case output shaft	0803
WASHER, fuel pump rocker arm pin	0302	WASHER, thrust, transmission countershaft	0704C
WASHER, generator armature terminal	0601	WASHER, top bow, front pivot	2201A
WASHER, generator commutator end	0601	WASHER, transmission gearshift lever housing cap	0706A
WASHER, generator drive end head	0601	WASHER, transmission mainshaft nut	0802
WASHER, horn adjusting nut	0609	WASHER, water pump seal	0503
WASHER, horn button contact	0609B	WASHER, wheel bearing	1301A
WASHER, insulating, cranking motor terminal post	0602	WASHER, windshield clamp bracket screw	1811
WASHER, insulating, cutout relay stationary bracket	0601B	WASHER, windshield pivot spring	1811
WASHER, insulating, dustproof distributor	0603-1	WEATHERSTRIP, windshield	1811B
WASHER, insulating, generator armature terminal	0601	WEATHERSTRIP, windshield frame to cowl	1811B
WASHER, insulating, generator field terminal	0601	WEBBING, hood top windshield bumper	1704
WASHER, lock, base mounting and ground screw and lead connection	0601B	WEIGHT, distributor governor, assembly	0603
WASHER, lock, cranking motor Bendix drive spring screw	0602	WEIGHT, governor dustproof distributor, assembly	0603-1
WASHER, lock, distributor breaker contact screw	0603	WHEEL, air compressor clutch	2208
WASHER, lock, ignition switch terminal	0604C	WHEEL, assembly	1301
WASHER, lock, wheel bearing nut	1301A	WHEEL, steering, assembly	1403
WASHER, oil retaining, transmission main shaft	0704	WICK, oil, generator commutator end	0601-1
WASHER, plain, base mounting and ground screw and lead connection	0601B	WICK, oiling, distributor cam	0603
WASHER, seal, propeller shaft sleeve yoke	0902	WINCH, capstan, assembly	2000
WASHER, shock absorber mounting pin	1603	WINDSHIELD, assembly	1811
WASHER, side curtain fastener	2201F	WIPER, windshield, assembly	1811D
WASHER, spacer, distributor cam spring	0603	WIPER SET, windshield	1811D
WASHER, spring, windshield adjusting arm	1811	WIRE, ground, blackout driving light, assembly	0607D
WASHER, steering, bell crank shaft	1401	WIRE, headlight, assembly	0607
WASHER, steering gear—slotted hole	1403A	WIRE, lock, piston stop, brake master cylinder	1205
WASHER, terminal to block screw	0606E	WIRE, lock, transfer case shift fork	0805
WASHER, thrust, capstan winch	2001		
WASHER, thrust, cranking motor armature, commutator	0602	Y	
WASHER, thrust, differential pinion	{1003 1104	YOKE, adjustable, engine clutch control cable	0203
WASHER, thrust, differential side gear	{1003 1104	YOKE, end, universal joint, differential drive pinion shaft, assembly	{1003 1104
		YOKE, end, universal joint, transfer case	0803
		YOKE, flange, propeller shaft	0902
		YOKE, sleeve, propeller shaft, assembly	0902

PART NUMBER INDEX—ORDNANCE

Number	Group	Number	Group	Number	Group
A7044072	0101A	C7044170	2208	504420	0607A
A7044164	0505	111618	0505	504423	0607A
A7044173	1505	116120	2208	7044051	2208
B7044154	1505	123208	2208	7044114	2208
B7044172	2208	131300	2208	7044168	2208
B7044232	0810	500903	0610	7044212	2208
C7044153	0101A	504406	0608	7044236	2208
C7044165	0102	504413	0608	7044237	2208
C7044167	1505	504417	0607A	7044238	2208

PART NUMBER INDEX—MANUFACTURERS'

Manufacturers' and Vendors' part numbers in this index are arranged in numerical order without regard to Manufacturers' symbols, or letters and dashes within the part number. For example, WG-T-84J-29 is filed numerically as if it were 8429.

Number	Group	Number	Group	• Number	Group
CNC-O	2201A	AL-GAA-35	{ 0601B	AL-EB-108	0602
SP-LW-1	0805		{ 0601B-1	AL-VRA-109	0601B
SP-1-W	1201-1	AL-MU-37	0602	SP-112	{ 1003
AL-MZ-S2	0602	AL-GBY-38A	0601		{ 1104
AL-AN-7	0604A	AL-MZ-38A	0602	SP-113	{ 1003
AL-DH-7	0601	AL-DA-39	0601		{ 1104
AL-IAD-7	0603-1	AL-MU-39	0602	SP-S-114	{ 1003
AL-IAD-8	0603-1	AL-GAL-44	0601		{ 1103
AL-IGL-8	0603-1	AL-GEB-44	0601	AL-IGC-117	0603
AL-IGL-9	0603-1	AL-EBA-46	0602	AL-KIT-119	0601-1
AL-IAD-10	0603-1	AL-VRA-46	0601B	AL-KIT-121	0603-1
AL-KIT-10A	0601	AL-MAK-49	0601-1	SP-122-D	0801
AL-IAD-12	0603-1	AL-VRA-50	{ 0601B	AL-GCE-125	0601
AL-MZ-12	0602		{ 0601B-1	SP-12-B-5	1201
CNC-12	2201A	CNC-50	2201F	SOL-EV-128	2603
AL-KIT-13	0601B	AL-MZ-51	0602	SPR-JX-131	2603
AL-MU-14	0602	AL-VRA-51	0601B	AL-GAG-138	0601B
SP-14-W	1201-1	AL-TC-51A	0601B-1	WH-145-A	{ 0101
AL-VRA-15	{ 0601B	AL-TC-51L	0601B-1		{ 0501
	{ 0601B-1	AL-TC-51N	0601B	SP-14-B-6	1201
AL-KIT-16	0601B	AL-TC-51S	0601B-1	WO-A-146	0110
AL-MZ-16	0602	AL-TC-51U	0601B	WO-A-147	0809
AL-VRA-16	{ 0601B	AL-VRA-52	0601B	SP-153-SP	1201
	{ 0601B-1	AL-GCE-53	0601	AL-X-156	0601
	{ 0601B	AL-GCE-54	0601	TP-16MN8	1402
AL-VRA-17	{ 0601B-1	AL-MU-54	0602	WO-A-169	1603
SPR-JX-17	2603	AL-GEB-58	0601	WO-A-170	1603
AL-MZ-19	0602	CNC-58	2201A	SP-S-171	{ 1003
AL-MN-21	0601	SP-S-58	{ 1003		{ 1104
AL-DA-22	0601		{ 1104	AL-IGC-175	0603
AL-DK-23	0601	SP-58-J	1201-1	WO-A-176	0204A
AL-VRA-23	0601B-1	SP-S-59	{ 1003	WO-A-177	0204A
AL-GCE-24	0601		{ 1104	WO-A-178	0204A
AL-KIT-24	0602	AL-DA-60	0601	WO-A-180	0204
AL-GBJ-25	0601	CNC-60	2201F	WO-A-181	0204A
AL-GCT-25	0601	HLH-T-60-B	1502	WO-A-183	1205
AL-GCY-25	0601	AL-GBW-66	0601	WO-A-185	1500
AL-KIT-25	0602	AL-SPK-66	2204	BA-B-194	1811
AL-GC-26	0601	AL-BRA-67	0601B	AL-X-195	{ 0601B
AL-KIT-26	0602	AL-GBW-67	0601		{ 0601B-1
AL-VRH-26	0601B	AL-GBW-69	0601-1	AL-X-196	{ 0601B
AL-GEB-27	0601	AL-IGT-69	0603		{ 0603
AL-KIT-27	0601B-1	AL-GBW-72	0601-1	AL-IGB-199	0603
AL-IGH-28	0603	AL-GBW-73	0601-1	DT-CHC-201	2603
AL-KIT-28	0601B-1	SP-S-74	{ 1003	AL-IGB-202S	0603
AL-MU-28	0602		{ 1104	FB-203	0601
AL-GEB-29	0601	SP-S-75	{ 1003	MRC-206	0803
AL-KIT-29	0601B-1		{ 1104	AL-SW-213	0603
AL-MZ-29	0602	AL-VRA-76	0601B	AL-TSR-2-15	0610
AL-IGP-30	0603	AL-MG-77A	0602	TSE-215-B	0107A-1
AL-MZ-30A	0602	AL-GT-78	0601	SP-223-V	1201-1
AL-GAU-31	0601	AL-GBF-79	0601-1	WO-A-227	1603
AL-GEG-31	0601	AL-VRA-84	{ 0601B	SP-232-SP	1201
AL-GEW-31	0601		{ 0601B-1	SP-238-R	1201
AL-MAB-31	0602	AL-MAB-88	0602	WO-A-281	0301C
AL-MU-31	0602	AL-IG-90	0603	WG-AS2-T-84-J	0700
AL-GAA-32	0601	AL-IG-94	0604A	CAR-2-89	0301
AL-IGS-32	0603	AL-GAR-98A	0601-1	AL-X-295	0601
AL-MZ-32	0602	CNC-98	2201A	CB-CB-300	0607
AL-GBJ-32A	0601	AL-IGS-99	0603	WO-A-302	0609B
AL-GEG-33	0601-1	SOL-EV-103	2603	MRC-307	0704
AL-GBW-34	0601	AL-IGS-104	0603	CN-310-D	0102A

PART NUMBER INDEX—MANUFACTURERS (Cont'd)

Number	Group	Number	Group	Number	Group
AL-IGB-350-S	0603-1	TA-OP-528	1817	WO-A-745	1403A
SP-363-SP	0805B	WO-A-534	1500	WO-A-747	0609B
RMC-A-365	0105	AL-X-535	0601B	WO-A-750	0609B
RMC-A-366	0105	WO-A-535	1404	WO-A-751	0609B
SP-373-J	1201	SP-S535-V	1201-1	WO-A-752	0609B
SP-3-Q-74	1201	WO-A-538	0604B	WO-A-754	1203
SP-3-Q-76	1201	CAR-539S	0301	WO-A-760	1007
AN-S-384	1811	WO-A-542	0110		1102
DM-398	0606	WO-A-544	1500	WO-A-778	1000
WO-A-405	0204	WO-A-547	1500		1007
WO-A-410	0704	WO-A-548	1500	HP-779	1603
WO-A-415	1500	WO-A-549	1500		1000
WO-A-416	1500	WO-A-556	1205	WO-A-779	1007
SP-417-J	1201-1	WO-A-557	1205		1100
WO-A-418	1500	WO-A-561	1209B		1102
SP-418-J	1201-1	WO-A-562	1209B	SP-S-780	1001
WO-A-419	1500	WO-A-568	1602		1101
WO-A-420	1500	WO-A-571	1602	WO-A-780	1007
WO-A-421	1500	WO-A-572	1602		1001
SP-4-B-26	1201	WO-A-574	1602	WO-A-781	1101
SP-433-D	0805B	WO-A-575	1602		1000
WO-A-439	0109C	AL-IG-575-A	0603	WO-A-782	1001
WO-A-445	1100	WO-A-592	0505		1100
WO-A-447	0503A	WO-A-593	1502		1101
WO-A-450	1203	AN-X-598	1811	WO-A-784	1003
WO-A-463	0301C	LO-S-FC-602	1205		1104
WO-A-465	1301	LO-S-FC-603	1205	WO-A-785	1003
WO-A-472	1302	WO-A-612	1601		1104
WO-A-473	1302A	WO-A-613	1601	WO-A-786	1003
WO-A-474	1302A	WO-A-614	1601A		1104
WO-A-475	1302A	SP-6-B-14	1201-1	WO-A-787	1003
WO-A-476	1302A	WC-A-619	1401		1104
	1505	WO-A-621	1401	WO-A-788	1003
SP-477W	0801	WO-A-622	1401		1104
WO-A-481	1601B	WO-A-623	1401	WO-A-789	1003
AL-SP-484	0601	TP-6MN27	1402		1104
WO-A-484	1500	WO-A-630	1209C	WO-A-792	1003
AL-SP-484A	0601	WO-A-631	1209C		1104
WO-A-485	1500	WO-A-633	1404	WO-A-793	1003
AL-X-489	0601	WO-A-634	0609B		1102
AL-X-490	0603	SP-634-D	0801	WO-A-794	1003
WO-A-490	0902	WO-A-635	1405		1104
WO-A-493	1204	WO-A-637	1500	WO-A-795	1003
	1500	SP-S-638	1003		1104
WO-A-495	1204		1104	WO-A-796	1003
WO-A-498	0204	WO-A-642	0301C		1104
WO-A-499	0204A	WO-A-647	1205	WO-A-797	1003
WO-A-500	1500	WO-A-655	0401		1104
MDR-AM-504K	0604B	WO-A-657	0401	WO-A-798	1003
WO-A-508	1500		0401-1		1104
WO-A-513	1602	WO-A-658	0401	WO-A-799	1003
AL-IG-514	0603		0401-A		1104
WO-A-514	1602	WO-A-668	1500	WO-A-800	1003
AL-IG-515	0603	AL-IG-676	0603		1104
CNC-515	2201A	AL-IG-680	0603	WO-A-801	1003
WO-A-515	1602	WO-A-683	1209C		1104
SP-5-B-15	1201	SP-690-W	0804	WO-A-802	1003
SP-5-B-16	1201	AL-IG-694	0603		1104
WO-A-518	0704	SP-710-W	0803	WO-A-803	1003
CNC-519	1811	WO-A-719	0608		1104
WO-A-519	0704	WO-A-738	0704	WO-A-804	1003
WO-A-520	0802	WO-A-739	0704C		1104
SP-K5-21-X	0902	WO-A-740	1403A	WO-A-805	1003
WO-A-524	0704C	WO-A-742	1403A		1104

PART NUMBER INDEX—MANUFACTURERS (Cont'd)

Number	Group	Number	Group	Number	Group
V O-A-805	1003	WO-A-876	1401	WO-A-982	0801
	1104	WO-A-877	1006	WO-A-983	0801
WO-A-809	1007	WO-A-878	0704C	WO-A-984	0801
WO-A-810	1007	WO-A-879	0704C	WO-A-985	0810
WO-A-811	1003	WO-A-880	0704C	WO-A-987	0803
WO-A-812	1006	WO-A-887	0204A	WO-A-988	0803
WO-A-813	1006	SP-887-D	1201	WO-A-989	0803
WO-A-814	1006	WO-A-888	1101	WO-A-990	0803
AL-IG-816C	0603	WO-901	1102	WO-A-991	0801
WO-818	1000	AL-X-902	0602	SP-991-D	1201-1
	1000	WO-A-902	1102	WO-A-992	0803
WO-A-818	1006	WO-A-903	1203	SP-992-D	1201-1
	1000	WO-A-904	1100	WO-A-997	1201
WO-A-819	1006		1102	WO-A-998	0804
	1000	WO-A-912	0108	WO-A-999	0804
WO-A-820	1006	WO-A-916	0704	WO-A-1000	0804
WO-A-821	1006	WO-A-923	0801	WO-A-1001	0804
CA-D-822	1401	WO-A-924	0804	AL-VRA-1002	0601B
WO-A-824	1006	WO-A-934	0801	WO-A-1002	1201
WO-A-825	1006	WO-A-935	0902	WO-A-1003	1201
WO-A-828	1006	WO-A-936	0902	AL-IAD-1004	0603-1
WO-A-830	1006	WO-A-940	0902	WO-A-1004	1201
WO-A-831	1006	WO-A-941	0902	WO-A-1005	1201
WO-A-832	1006	WO-A-942	0902	AL-GEB-1005A	0601
WO-A-833	1006	WO-A-943	0902	WO-A-1006	1201
WO-A-838	1402	WO-A-945	0902	AL-MZ-1007	0602
WG-T-84J-1A	0701	WO-A-950	0902	WO-A-1007	0803
WC-AC-84J-2A	0706A	WG-T-9-50P	0802	AL-GEB-1007A	0601
WT-T-84GJ-3	0704C	SP-S-953	1007	AL-MZ-1008	0602
WO-A-844	1402	WO-A-953	0801	WO-A-1008	1201
WG-T-84J-6	C703	WO-A-954	0800	AL-GEB-1008B	0601
AL-X-847	0601		0801	AL-MZ-1009	0602
WO-A-847	1402	WO-A-956	0801	WO-A-1009	1201
WG-AT-84F-8	0704C	SP-S-957	1006	AL-MZ-1010	0602
WO-A-851	1006	WO-A-957	0800	AL-GCE-1012	0601
WO-A-853	1006		0801	AL-X-1012	0603
SP-854-D	0805	WO-A-958	0800	FM-GP-1012	1302A
WO-A-855	1401		0803		1505
AL-8X-55	0601B	AL-X-959	0601	FM-GP-1013	1302A
WO-A-856	1401	WO-A-959	0805A	WO-A-1014	1201
SP-856-D	1201	WO-A-960	0805A	FM-GP-1015	1301
WO-A-857	1401	SP-S-962	1006	FM-GPW-1015	1301
	1000	WO-A-962	0805	WO-A-1015	1201
	1401	WO-A-963	0805A	FM-GPW-1016	1301
WO-A-859	1401	WO-A-964	0805	WO-A-1016	1201
WO-A-860	1401	WO-A-965	0805	CAR-101-6	0301
WO-A-861	1401	WO-A-966	0805	WO-A-1017	1201
WO-A-862	1007	WO-A-967	0805	WO-A-1018	1201
WO-A-863	1007	WO-A-970	0805B	SP-10-B-18	1201
	1000		0706A	WO-A-1019	1201
WO-A-864	1100		0805B	WO-A-1020	1201
	1301B	WO-A-971	2000	WO-A-1021	1201
WO-A-865	1301A		2001	AL-MZ-1024	0602
WO-A-866	1301A		2003	FM-GPW-1024	1301
WO-A-867	1301A	WO-A-972	0805B	FM-GPW-1025-C	1301
WO-A-868	1006	WO-A-973	0805B	FM-GPW-1027	1301
WO-A-869	1302	WO-A-974	0800	FM-GPW-1029	1301
AL-SX-870	0603		0805	AL-GEG-1030	0601-1
	1001	AL-X-975	0601-1	FM-GPW-1030	1301
WO-A-870	1101	WO-A-975	0803	WO-A-1031	0607
	1003	WO-A-976	0803	WO-A-1032	0607
WO-A-871	1104	WO-A-978	0803	WO-A-1033	0607A
AL-8X-72B	2204	WO-A-979	0902	AL-MZ-1034	0602
WO-A-873	1006	WO-A-980	0803	WO-A-1036	0607

PART NUMBER INDEX—MANUFACTURERS (Cont'd)

Number	Group	Number	Group	Number	Group
WO-A-1037	0607			FB-1203FF	0601
AL-VRY-1043	0601B	WO-A-1120	{1500 2000 2101	WO-A-1204	1500
AN-S-1044	1811	FM-GP-1124	1301A	WO-A-1205	1500
FM-GPW-1045	1301	WO-A-1124	0503A	FB-1207-GF	0703
WO-A-1045	0302	AL-GCE-1125	0601	FB-1207-MGF	0703
WO-A-1046	0302	WO-A-1125	0503A	TR-B-1210	1401
WO-A-1047	0302	WO-A-1126	{0101 0501	WO-A-1211	1401
WO-A-1051	0110	WO-A-1127	1500	EAT-IE-1212	0501
SP-1056	1007	WO-A-1128	1500	WO-A-1212	1000
SP-S-1056	1104	WO-A-1129	1500	WO-A-1214	0501
CAR-105A-8	0301	WO-A-1130	1500	WO-A-1215	0501
AL-VRA-1060	0601B	AL-GCE-1133-A	0601-1	WO-A-1216	0501
AL-VRH-1061	0601B-1	WO-A-1134	{0800 0803	WO-A-1217	0501
AL-VRY-1061B	0601B	AL-IGS-1134-L	0603	FM-GP-1218	1301A
WO-A-1061	0107N	AL-IGS-1134-LA	0603-1	WO-A-1220	0302
WO-A-1064	0608	SP-S-1135	{1003 1007 1104	WO-A-1221	0300
WO-A-1065	0608	WO-A-1135	0801	WO-A-1223	0301
SP-S-1066	1003	CAR-11B-35	0301	WO-A-1225	0303
WO-A-1070	0607D	WO-A-1136	0801	WO-A-1226	1201
WO-A-1071	0607D	WO-A-1137	0801	WO-A-1227	1201
WO-A-1072	0607D	WO-A-1138	1500	WO-A-1228	1201
AL-VRH-1073	{0601B 0601B-1	FM-GP-1139	1302	WO-A-1230	0107E
WO-A-1073	0608	WO-A-1142	1500	WO-A-1231	0107E
WO-A-1074	0607A	WO-A-1145	0700	WO-A-1232	0107E
WO-A-1075	0607A	WO-A-1146	0401	WO-A-1233	0107E
WO-A-1076	0608	WO-A-1147	2101	WO-A-1234	0107E
WO-A-1077	0608	AL-IGC-1148	0603	WO-A-1235	0107E
WO-A-1078	0607A	WO-A-1148	0700	WO-A-1236	0107E
AL-IGS-1080	0603	AL-IGC-1149	0603	WO-A-1237	0107E
AL-VRH-1080	0601B-1	WO-A-1150	1500	WO-A-1239	1403A
AL-VRY-1080B	0601B	WO-A-1151	1500	WO-A-1241	1201
WO-A-1082	0607D	WO-A-1152	1500	WO-A-1242	1201
WO-A-1083	0303	WO-A-1153	1500	WO-A-1243	0303
FM-GP-1088	1006	WO-A-1155	0706B	SP-1244	0803
FM-GP-1089	1006	WO-A-1156	0706B	WO-A-1244	0603
WO-A-1089	0606E	WO-A-1157	2101	WO-A-1245	0602
FM-GP-1092	{1000 1006	WO-A-1164	0610A	WO-A-1246	0601
WO-A-1096	0604B	WO-A-1165	0108	WO-A-1247	0107E
WO-A-1098	2603	WO-A-1166	0108	WO-A-1251	0107E
AL-SPS-1100R	2204	WO-A-1167	0107A	WO-A-1252	1602
FM-GP-1102	1302	WO-A-1173	0303	WO-A-1253	1500
FM-GP-1103	1302	WO-A-1174	0303	WO-A-1254	0300
WO-A-1104	0801	WO-A-1175	0303	WO-A-1255	0306B
WO-A-1105	0803	FM-GP-1177	{1000 1301B	WO-A-1256	0306B
AL-SPS-1105-X	2204	FM-GPW-1177	1100	WO-A-1257	0306B
SP-S-1106	1401	CAR-11B-79	0301	WO-A-1258	0306B
WO-A-1106	0803	WO-A-1190	0106D	WO-A-1259	0306B
FM-GP-1107	1302A	WO-A-1192	0505	WO-A-1260	0306B
DTC-1107DE	2603	WO-A-1195	0800	WO-A-1261	0306B
WO-A-1079	0608	WO-A-1197	0107J	WO-A-1262	0306B
AL-PS-1079A	0602	WO-A-1198	0107J	WO-A-1263	0306B
FM-GP-1108	1302A	WO-A-1199	1403A	WO-A-1264	0306B
CA-S-X-1109	1401	FM-GP-1201	1301A	WIL-ST-1265	0105A
CA-S-X-1110	1401	WO-A-1201	1500	WO-A-1265	{0304 1811D-1
FM-GP-1110	{1002 1007	FM-GP-1202	1301A	WO-A-1268	0605
BN-C-1110-Q	0703	WO-A-1202	1500	WO-A-1269	0605
WO-A-1111	0803	ND-1203	0601	WO-A-1270	0605
WO-A-1116	1402	WO-A-1203	1500	WO-A-1271	0606
WO-A-1117	2101			WO-A-1273	0303
				WO-A-1275	0300
				WO-A-1276	1405
				WO-A-1277	1405
				WO-A-1278	0301C

PART NUMBER INDEX—MANUFACTURERS (Cont'd)

Number	Group	Number	Group	Number	Group
WO-A-1279	0301C	WO-A-1381	0706A	WO-A-1481	0300
WO-A-1283	1500	WO-A-1382	0706A	WO-A-1483	0300
WO-A-1285	2603	WO-A-1385	0706B	WO-A-1484	1207
WO-A-1287	2603	WO-A-1386	1204	WO-A-1486	1209C
WO-A-1289	{0304	WO-A-1387	1000	WO-A-1487	1209C
	0606B	WO-A-1388	0100	WO-A-1488	1209C
WO-A-1290	0301C	WO-A-1389	0609	WO-A-1490	0606E
WO-A-1291	0610A	WO-A-1392	0601A	WO-A-1491	0601A
WO-A-1292	0300A	WO-A-1395	0601A	WO-A-1494	0302
WO-A-1293	0300A	WO-A-1396	{0601	WO-A-1495	0503B
WO-A-1296	0401		0601A	WO-A-1496	1200
BX-129-S-6	1202	WO-A-1397	0601A	WO-A-1497	1200
WO-A-1300	0401	WO-A-1399	0601A	LO-S-FC-1499	1207
WO-A-1301	0303A	WO-A-1400	0601A	WO-A-1501	1209C
WO-A-1304	0607	WO-A-1401	{0601	WO-A-1503	0801
WO-A-1305	0607		0601A	WO-A-1504	0805
WO-A-1306	2203A	CAR-1-407	0301	WO-A-1505	0805B
WO-A-1307	0303A	WO-A-1409	0601B	WO-A-1506	0805B
WO-A-1308	0303A	WO-A-1410	0802	WO-A-1507	0801
WO-A-1311	0301C	WO-A-1411	0605C	WO-A-1508	0801
WO-A-1312	0609	WO-A-1412	0604A	WO-A-1509	{0800
WO-A-1313	0301C	WO-A-1414	0604A		0801
WO-A-1315	0301C	WO-A-1416	0604A	WO-A-1510	0801
CAR-1319	0301	WO-A-1418	0604A	WO-A-1511	0810
WO-A-1320	0610B	WO-A-1420	0604A	WO-A-1512	0810
AL-IG-1324-D	{0603	TP-14-DS-20	1402	WO-A-1514	1500
	0603-1	WO-A-1422	1403A		{0301C
WO-A-1325	0304	WO-A-1424	0604	WO-A-1515	1100
WO-A-1326	0901	WO-1426	0902		1209C
WO-A-1327	0901	WO-A-1426	0902	WO-A-1526	0604
WO-A-1330	2203	WO-A-1428	0901		{0107
WO-A-1331	2203	WO-A-1429	0901		0110
WO-A-1332	0606	WO-A-1431	1500		0203
WO-A-1333	0606	FM-GPW-1433	1505		0204
WO-A-1334	0605C	WO-A-1433	0902		0300
WO-A-1341	1500	WO-A-1434	0902		0301C
WO-A-1343	2204	WO-A-1435	{0701	WO-A-1532	0401
WO-A-1344	2204		0800		0501
WO-A-1345	0606	WO-A-1436	0607D		0601A
WO-A-1347	0606	WO-A-1437	0607D		0607D
WO-A-1348	0606	WO-A-1439	0607D		1201
WO-A-1349	0606D	WO-A-1440	0607D		1205
WO-A-1350	{0604C	WO-A-1443	0109		1405
	0606	TP-14DM-43	1402		2603
WO-A-1351	0606	LO-FE-1444	1205		{0107E
WO-A-1352	0606	WO-A-1445	1104		0401
WO-A-1353	0606	AL-X-1448	0603	WO-A-1533	0601B
WO-A-1354	1205	WO-A-1450	0107J		1201-1
WO-A-1355	0204A	WO-A-1451	0301C		1201
WO-A-1359	1204	WO-A-1452	0610B	WO-A-1534	0101A
WO-A-1360	0204	WO-A-1454	0610B	WO-A-1536	0101
WO-A-1361	0607	WO-A-1456	0107J	WO-A-1537	0101
WO-A-1362	0607	WO-A-1457	1209B	WO-A-1538	0107A
WO-A-1363	0607	WO-A-1460	1209B	WO-A-1539	0503
WO-A-1366	0304	WO-A-1463	0106D	WO-A-1540	0302
WO-A-1367	0304	AL-X-1465	{0601B	WO-A-1541	0301
WO-A-1368	0304		0601B-1	WO-A-1542	0701
WO-A-1369	0304	WO-A-1468	0601A	WO-A-1543	0800
WO-A-1373	1209B	WO-A-1469	0601A	WO-A-1544	1000
WO-A-1376	1209C	WO-A-1470	0601A	WO-A-1546	0501
WO-A-1377	1209C	WO-A-1472	0300	WO-A-1547	0501
WO-A-1378	1209C	WO-A-1476	0300	WO-A-1548	0101A
WO-A-1379	0706A	WO-A-1477	0300	WO-A-1549	0101A
WO-A-1380	0706A	WO-A-1480	0300	WO-A-1551	0606B

PART NUMBER INDEX—MANUFACTURERS (Cont'd)

Number	Group	Number	Group	Number	Group
WO-A-1552	0602	WO-A-1616	{0601	WO-A-1660	0603
WO-A-1553	0602		{0601B	WO-A-1661	0603
WO-A-1554	0602	WO-A-1617	0601	WO-A-1662	0603
WO-A-1555	0602	WO-A-1618	0601	WO-A-1663	{0603
WO-A-1556	0602	WO-A-1619	{0601		{0603-1
WO-A-1557	0602		{0602	WO-A-1664	0603
WO-A-1558	0602	WO-A-1620	0601B	WO-A-1665	0606B
WO-A-1559	0602	WO-A-1621	0601		{0601B
WO-A-1560	0602	WO-A-1622	0601	WO-A-1666	0603
WO-A-1561	0602	WO-A-1623	0601		{0603-1
WO-A-1562	0602	WO-A-1624	0601	WO-A-1667	0603
WO-A-1563	0602	WO-A-1625	0601		{0603-1
WO-A-1564	0603	WO-A-1626	0601	WO-A-1668	0603
WO-A-1565	{0602	WO-A-1627	0601		{0603-1
	{0606	WO-A-1628	{0601	WO-A-1669	0603
WO-A-1566	0602		{0601-1		{0603-1
WO-A-1568	0602	WO-A-1629	0601	WO-A-1670	0603
WO-A-1569	0602	WO-A-1630	0601		{0603-1
WO-A-1570	0603	WO-A-1631	0603	WO-A-1671	0603
WO-A-1571	0602		{0601		{0603-1
WO-A-1572	0602	WO-A-1632	{0601-1	WO-A-1672	0603
WO-A-1573	0602		2603		{0603-1
WO-A-1574	0602	WO-A-1633	{0603	WO-A-1673	0603
WO-A-1575	0602		{0603-1		{0603-1
WO-A-1576	0602	WO-A-1635	0601	WO-A-1674	0603
WO-A-1577	0602	AD-1636	0805B	WO-A-1675	0603
WO-A-1578	0602	WO-A-1636	{0601	WO-A-1676	0603
WO-A-1579	0602		{0603	WO-A-1677	0603
WO-A-1580	0602	AN-X-1637	1811	WO-A-1678	0603
WO-A-1581	0602	WO-A-1637	0601	WO-A-1679	0603
WO-A-1582	0602	WO-A-1638	0601		{0110
WO-A-1583	0602	WO-A-1639	0601	WO-A-1680	{0610B
WO-A-1584	0602	WO-A-1640	0601		{0603
WO-A-1585	0602	AD-1641	{0204	WO-A-1681	{0603-1
WO-A-1586	0602		{0902	WO-A-1682	0603
WO-A-1587	0603	WO-A-1641	0601	WO-A-1683	0603
WO-A-1588	0602		{0203	WO-A-1684	0603
WO-A-1589	{0601	WO-A-1642	0601	WO-A-1685	{0603
	{0602		1201		{0603-1
WO-A-1590	0601		1402	WO-A-1686	0603
WO-A-1591	0601	WO-A-1643	0601	WO-A-1687	0603
WO-A-1592	0601	WO-A-1644	{0601	WO-A-1689	1302
WO-A-1593	0601		{0601-1	WO-A-1690	1302
WO-A-1594	0601	WO-A-1646	0601	WO-A-1691	1302
WO-A-1595	0601		{0601-1	WO-A-1699	2603
WO-A-1596	0601	WO-A-1647	0601	AN-X-1700	1811
WO-A-1597	0601		{0601-1	WO-A-1701	{0108C
WO-A-1598	0601	WO-A-1649	0601		{0303
WO-A-1599	0601		{0601	WO-A-1702	0601
WO-A-1600	0601	WO-A-1650	{0601-1	WO-A-1703	1001
WO-A-1601	0601		{0601	WO-A-1704	1402
WO-A-1602	0601	WO-A-1651	{0601-1	WO-A-1705	1402
WO-A-1603	0601		{0604A	WO-A-1706	1402
WO-A-1604	0601	WO-A-1652	0603	WO-A-1707	1402
WO-A-1605	0601		{0603-1	WO-A-1708	1402
WO-A-1606	0601	WO-A-1653	0606B	WO-A-1709	1402
WO-A-1607	0601		{0603	WO-A-1710	1006
WO-A-1608	0601	WO-A-1654	0603		{1006
WO-A-1609	0601	AL-X-1655	0601	WO-A-1712	{1007
WO-A-1610	0601	WO-A-1655	0603		{1006
*WO-A-1611	0601	WO-A-1656	0603	WO-A-1714	1006
WO-A-1612	0601	WO-A-1657	0603	WO-A-1716	1007
WO-A-1613	0601	AL-IG-1657R	0603	WO-A-1718	1007
WO-A-1615	0601	WO-A-1658	0603		{1006
		WO-A-1659	0603	WO-A-1719	{1007

PART NUMBER INDEX—MANUFACTURERS (Cont'd)

Number	Group	Number	Group	Number	Group
WO-A-1720	1007	FM-GP-2019	1202	FM-GP-2180-A	1205
WO-A-1721	1007	FM-GP-2021	1202	FM-GP-2183	1205
WO-A-1722	1007	FM-GP-2022	1202	FM-GP-2188	1205
WO-A-1723	1007	CAR-20-22	0301	WO-A-2188	1704
WO-A-1724	1007	CAR-20-26	0301	WO-A-2190	1802A
WO-A-1725	1007	FM-GP-2028	1203	FM-GP-2192	1207
WO-A-1726	1007	FM-GP-2035	1203	FM-GP-2194	1207
WO-A-1727	1007	FM-GP-2038	1203	FM-GP-2196	1207
WO-A-1729	1007	AL-MAB-2040A	0602	FM-GPW-2196	1207
WO-A-1731	0607	FM-GPW-2061	1207	FM-GP-2201	1207
WO-A-1733	0606D	CAR-20-61	0301	FM-GPW-2201	1207
WO-A-1734	0606D	SP-20-B-62	1201	FM-GP-2204	1207
WO-A-1735	{1201 1201-1	CAR-20-72	0301	FM-GP-2205	1207
WO-A-1738	0300	FM-GPW-2073	1500	FM-GPW-2206	1207
WO-A-1739	0300	SP-20-B-73	1201-1	FM-GP-2208	1207
WO-A-1740	0300	FM-GP-2074	1209C	FM-GPW-2210-B	1200
WO-A-1741	0300	FM-GP-2076	1205	FM-GPW-2211-B	1200
WO-A-1746	0602	FM-GP-2077	1205	WO-A-2213	1811
AN-X-1747	1811	FM-GP-2078	1209B	WO-A-2214	1811
WO-A-1748	0605C	FM-GPW-2078	1209B	WO-A-2220	1811
AN-X-1750	1811	FM-GPW-2079	1209B	FM-GPW-2223	1209C
AN-X-1751	1811	FM-GPW-2082	1209D	WO-A-2226	{1811 2201A
AN-X-1754	1811	FM-GPW-2084	1209D	WO-A-2227	1811
AN-X-1755	1811	FM-GP-2087	1209B	AL-2229	0605
WO-A-1757	0610A	AL-MZ-2089	0602	WO-A-2232	1811
WO-A-1760	1403A	FM-GPW-2096	1209B	WO-A-2234	1811
WO-A-1763	0300A	AL-SPS-2099M	2204	AL-2235	0605
WO-A-1764	0803	LO-S-FD-2108-F	1205	WO-A-2235	1811
WO-A-1765	{1000 1809	LO-S-FD-2109-B	1205	WO-A-2238	1811
WO-A-1767	0610	AL-GCE-2118	0601	WO-A-2239	1811
WO-A-1785	0601-1	WB-SR-2-119	0610	FM-GPW-2244	1209C
WO-A-1786	0601-1	AL-GEG-2120-F	0601	WO-A-2246	1811
WO-A-1787	{0601-1 0601-C	SP-K2-1-28	0603	FM-GPW-2250	{0301C 1209C
WO-A-1788	0601-1	SP-K2-1-28X	0803	WO-A-2250	1811B
WO-A-1789	{0601-1 0601-C	FM-GP-2133	1209C	WO-A-2255	1811B
WO-A-1793	0601	AL-GEG-2134-F	0601-1	FM-GP-2261	1207
WO-A-1795	1201	AL-IGS-2134L	0603	FM-GPW-2261	1207
WO-A-1799	1301	AL-IGS-2134-LA	0603-1	FM-GPW-2263	1209C
SP-18B-41	1201-1	AL-IGS-2135	0603	WO-A-2263	1802A
WG-1AT-84H-2	0704	FM-GPW-2135	1207	FM-GPW-2264	1209C
SP-18-5-1	0804	WG-X-2136	0706B	FM-GPW-2265	1209C
SP-18-8-1	0803	FM-GPW-2138	1205	FM-GPW-2266	1209C
SP-18-8-2	0803	WO-A-2138	1802	FM-GPW-2267	1209C
SP-18-8-7	0802	FM-GP-2140	1205	FM-GPW-2268	1209C
WO-A-1910	0303	FM-GP-2143-A	1205	FM-GPW-2270	1201-1
AD-1911	1602	FM-GP-2145	1205	FM-GPW-2270-B	{1201 1201-1
AD-1980	{1401 1602	AL-IGC-2148C	0603	FM-GPW-2272	{1201 1201-1
AL-IAD-2001	0603-1	FM-GP-2155	1205	FM-GPW-2274	1209D
AL-IAD-2004	0603-1	FM-GP-2156	0602	KHW-2277	1301
MSP-F-2005	1500	FM-GP-2160	1205	WO-A-2278	1802
MSP-F-2007	1500	FM-GP-2162	1205	FM-GPW-2279	1201
MSP-F-2009	1500	FM-GP-2167	1205	FM-GPW-2281	1209C
FM-GPW-2010	1200	WO-A-2168	{1800 2201A	FM-GPW-2298	1209C
FM-GPW-2011	1200	AL-IGC-2168-L	0603-1	WO-A-2301	1811
AL-GCE-2012S	0601	SP-K2-1-68X	0803	WO-A-2311	1802
AL-MZ-2012-S	0602	FM-GP-2169	1205	WO-A-2312	1802
FM-GP-2013	1203	FM-GP-2170	1205	WO-A-2325	1802A
AL-IAD-2015	0603-1	FM-GP-2173	1205	TRI-2328	1811D
FM-GP-2018	1202	FM-GP-2174	1205	WO-A-2336	1802A
		CAR-21-74S	0301	WO-A-2359	1505
		FM-GP-2175	1205		
		FM-GP-2176	1205		
		FM-GP-2180	1205		

PART NUMBER INDEX—MANUFACTURERS (Cont'd)

Number	Group	Number	Group	Number	Group
WO-A-2375	1702	FM-GPW-2635	1201	WO-A-2859	1405
	1802A	WO-A-2639	2201A	WO-A-2870	0607
WO-A-2386	1811	FM-GPW-2640	1201-1	WO-A-2871	0607
WO-A-2389	1800	FM-GPW-2642	1201-1	AVM-TP-28-71	0202
WO-A-2390	1800	FM-GP-2648	1201	WO-A-2873	0607
CAR-24-23	0301	FM-GPW-2648	1201-1	WO-A-2875	0607
WG-X-2428-A	1201	FM-GPW-2653	1201-1	AL-X-2878	0603-1
FM-GPW-2452A	1204	FM-GPW-2656	1201	WO-A-2878	0607
FM-GPW-2452-B	1204	FM-GPW-2659	1201	WO-A-2879	1802A
WO-A-2453	1804	FM-GPW-2660	1201-1	WO-A-2883	1804
FM-GPW-2454	1204	WO-A-2662	1701	WO-A-2886	1804
FM-GPW-2454A	1204	SP-K2-7-29	0902	WO-A-2891	1701
AL-IG-2456	0603	WO-A-2744	2201A	WO-A-2892	1201
FM-GPW-2462	1205	WO-A-2745	2201A	WO-A-2895	1817
	0607	WO-A-2754	2201A	WO-A-2896	1704
WO-A-2466	0610A	WO-A-2755	1802A	WO-A-2897	2201A
	1802A	WO-A-2757	1802A	WO-A-2898	2201A
	1804	WO-A-2758	1802A	WO-A-2900	2201A
WO-A-2470	1802A	WO-A-2759	1803	WO-A-2901	2201A
FM-GPW-2473	1204	WO-A-2760	1803	WO-A-2902	2201A
WO-A-2476	1811B	SP-27-B-62	1201-1	WO-A-2907	2003
WO-A-2478	1811	WO-A-2771	1802A	WO-A-2909	2201
WO-A-2479	1811B	WO-A-2772	1802A	WO-A-2910	1804
WO-A-2480	1811	FM-GPW-2774	1201-1	WO-A-2911	1804
WO-A-2481	1811	WO-A-2774	1817	WO-A-2914	2001
WO-A-2482	1811	WO-A-2775	1817	LO-S-FC-2917	1205
WO-A-2483	1811	WO-A-2776	1811B	WO-A-2917	1803
WO-A-2485	1811	FM-GPW-2780	1201	WO-A-2918	1803
WO-A-2487	1811	FM-GPW-2782	1201	LO-S-FC-2918-A	1205
SP-K2-4-88X	0803		1201-1	WO-A-2919	1803
WO-A-2489	1811B	WO-A-2782	1804	LO-S-FC-2919-B	1205
WO-A-2490	1811	WO-A-2783	1804	WO-A-2925	1804
WO-A-2501	1811	FM-GPW-2784	1201-1	LO-S-FC-2926	1205
WO-A-2512	1811D	WO-A-2787	1804	LO-S-FC-2927	1205
WO-A-2513	1811D	WO-A-2788	1804A	WO-A-2930	0300
WO-A-2515	1804	WO-A-2791	1811	WO-A-2931	1803
WO-A-2517	0604C	FM-GPW-2793	1201	WO-A-2932	1803
WO-A-2518	0604C	WO-A-2796	1811	WO-A-2933	1802
WO-S2542	1402	WO-A-2798	1811	WO-A-2934	2202
WO-A-2584	1811D	FM-GPW-2805	1201-1	WO-A-2935	1802A
WO-A-2586	1811D	FM-OIT-2805	1201	WO-A-2939	1802A
WO-A-2587	1811D	WO-A-2810	1802		1811
WO-A-2588	1811D		1817	B & B-2940	0201A
FM-GPW-2591	1201-1	WO-A-2811	1817	WO-A-2940	1802
FM-GPW-2592	1201-1	WO-A-2815	1802	WO-A-2942	1701
CAR-25-93S	0301	AVM-TP-2818	0202	WO-A-2943	1701
FM-GPW-2598-B	1201	WO-A-2830	1804	WO-A-2945	1804
	1201-1	WO-A-2832	1817	WO-A-2948	1802A
FM-GPW-2606	1201-1	WO-A-2833	1804	WO-A-2950	1802
WO-A-2607	1804	WO-A-2836	1704	WO-A-2952	0300
FM-GP-2614	1201	WO-A-2837	1802A	WO-A-2953	0300
FM-GPW-2614	1201-1	WO-A-2838	1802A	WO-A-2954	0300
FM-GPW-2615	1201-1	WO-A-2841	1702	WO-A-2968	1802A
FM-GPW-2616	1201	WO-A-2842	1702	WO-A-2970	0300
FM-GPW-2616-B	1201-1	WO-A-2843	1701	WO-A-2979	1803
FM-GP-2620	1201	WO-A-2844	1701	WO-A-2982	1803
FM-GPW-2620-B	1201-1	FM-GPW-2848	1201	WO-A-2983	1804
FM-GPW-2621	1201-1		1201-1	WO-A-2986	1804A
FM-GPW-2630	1201	AVM-TP-2851	0202	WO-A-2989	1811
FM-GPW-2632	1201	FM-GPW-2852	1201	WO-A-2990	1803
FM-GPW-2632-B	1201-1	FM-GPW-2853	1201	WO-A-2992	1803
FM-GPW-2633	1201-1	WO-A-2853	1802	WO-A-2994	1803
FM-GPW-2634	1201-1	FM-GPW-2853-B	1201-1	WO-A-2998	2201F
FM-OIT-2634	1201	WO-A-2858	2103	WO-A-2999	2101F

PART NUMBER INDEX—MANUFACTURERS (Cont'd)

Number	Group	Number	Group	Number	Group
FM-GPW-3001	1000	WO-A-3144	1802A	FM-GPW-3304	1401
WO-A-3005	1809	FM-GP-3148-A	1006	FM-GPW-3304-B	1401
AL-VRH-3008	0601B-1	FM-GP-3149-A	1006	FM-GPW-3305	1401
FM-GP-3016-A	1007	WO-A-3155	1809	FM-GPW-3305-B	1401
FM-GP-3017-A	1007	WO-A-3158	1701	FM-GPW-3320	1401
LO-S-FC-3023	1207	WO-A-3159	1702	FM-GPW-3323	1401
AL-IGP-3028	0603	FM-GP-3161	1006	FM-GPW-3325	1006
AL-IGP-3028FS	0603	FM-GP-3162	1006	FM-GPW-3326	1401
WO-A-3029	1804	FM-GPW-3165	1401	FM-GPW-3327	1401
FM-GP-3031-A	1000	FM-GPW-3166	1401	FM-GPW-3328	1401
	1007	FM-GPW-3167	1000	FM-GPW-3332-A	1401
	1000		1401	FM-GPW-3336	1401
FM-GP-3034	1007	FM-GPW-3168	1401	FM-GPW-3365	0901
	1100	FM-GPW-3169	1401	FM-GPW-3370	0901
	1102	FM-GPW-3170	1401	FM-GP-3374	1007
AL-VRH-3035	0601B	FM-GPW-3171	1401	SP-34-B-23	1201-1
	0601B-1	WO-A-3173	1803	SP-34-B-24	1201-1
CAR-30-A-39	0301	WO-A-3179	1701	SP-34-B-25	1201-1
WO-A-3051	2201A	WO-A-3182	1803	WO-A-3434	1809A
LO-FC-3052	1209C	WO-A-3189	1811	WO-A-3436	1809A
WO-A-3052	2201F	WO-A-3190	1811	CAR-3-465-S	0301
WO-A-3053	2201A	WO-A-3197	1811	LO-3473	1205
WO-A-3054	2201A	WO-A-3198	1817	FM-GPW-3504	1403A
WO-A-3055	0300	FM-GP-3200	1007	FM-GPW-3506	1405
WO-A-3056	0300	FM-GP-3200-A	1007	FM-GPW-3509	1403A
WO-A-3059	1704	WO-A-3203	1811	FM-GPW-3511	1405
WO-A-3070	2201	FM-GP-3204	1007	FM-GPW-3514	1403A
AL-VRH-3071	0601B-1	WO-A-3204	1811B	FM-GPW-3517	1403A
AL-VRH-3071B	0601B	WG-X-3204-ML	0703	FM-GPW-3518	1403A
WO-A-3073	2201	FM-GP-3205	1006	FM-GPW-3520	1403A
FM-GPW-3074	1001	FM-GP-3205-A	1006	FM-GPW-3521	1403A
WG-X-3089BH	0706A	ND-3206	0803	FM-GPW-3524	1403A
WO-A-3094	2103	WO-A-3206	1803	WEB-3529	0606F
WO-A-3095	2103	FM-GPW-3206-A	1007	WO-A-3531	1809A
WO-A-3096	1702	WO-A-3207	1803	WO-A-3532	1809A
FM-GP-3105	1006	FM-GPW-3207-A	1007	WO-A-3536	1809A
WO-A-3107	1804A	WO-A-3208	1803	WO-A-3537	1809A
WO-A-3108	1804A	FM-GP-3208-A	1007	WO-A-3538	1809A
WO-A-3109	2201A	FM-GP-3208-B	1007	FM-GPW-3545	1403A
WO-A-3110	2201A	WO-A-3209	1803	WO-A-3549	2103
WO-A-3111	2201A	WO-A-3210	1811	WO-A-3550	2103
FM-GPW-3112	1006	WO-A-3211	2201	FM-GPW-3552	1403A
WO-A-3112	2201A	FM-GP-3215-A	1007	FM-GPW-3563	1403A
FM-GPW-3113	1006	FM-GP-3216	1007		1405
WO-A-3113	2201A	WO-A-3216	1800B	FM-GPW-3568	1403A
WO-A-3114	1804A		2201	FM-GPW-3571	1403A
FM-GP-3115	1006	FM-GP-3217	1007	WO-A-3574	1803
WO-A-3115	1804A	FM-GP-3218	1007	FM-GPW-3575	1403A
WO-A-3116	1803	FM-GP-3219	1007	WO-A-3575	1803
FM-GP-3117-A	1006	FM-GP-3221	1007	FM-GPW-3576	1403A
FM-GP-3117-B	1006	WO-A-3222	1802A	FM-GPW-3577	1403A
FM-GP-3117-C	1006	WO-A-3225	1704	WO-A-3578	1809
FM-GP-3117-D	1006	FM-GPW-3226	1007	FM-GPW-3581	1403A
FM-GPW-3117-D	1006	WO-A-3226	1817	FM-GPW-3583	1403A
WO-A-3120	1802A	FM-GPW-3227	1007	FM-GPW-3587	1403A
FM-GP-3122	1006	WO-A-3227	1817	FM-GPW-3589	1403A
FM-GPW-3131	1401	FM-GPW-3279	1402	FM-GPW-3590	1403A
FM-GP-3135	1000	FM-GPW-3280	1402	FM-GPW-3591-A	1403A
	1006	FM-GPW-3281	1402	FM-GPW-3593	1403A
AL-IGW-3139	0603	FM-GPW-3282	1402	FM-GPW-3594	1403A
FM-GP-3139	1000	FM-GP-3289	1402	FM-GPW-3595	1403A
	1006	FM-GP-3290	1402	FM-GPW-3600-A	1404
FM-GP-3140	1006	FM-GP-3291	1402	SP-N360-2	1007
WO-A-3141	2201A	FM-GP-3292	1402	WEB-3604	0606F

PART NUMBER INDEX—MANUFACTURERS (Cont'd)

Number	Group	Number	Group	Number	Group
WO-A-3615	2103	WO-A-4120	1811	LO-S-FD-4564	1205
FM-GPW-3626	0609B	WO-A-4123	1817A	WO-A-4592	1803
FM-GPW-3627	0609B	CCS-W-41-25	0105A	FM-GP-4600-C	1003
FM-GPW-3631	0609B	WO-A-4127	1817A	FM-GPW-4602	0901
FM-GPW-3635	0609B	WO-A-4128	1817A	FM-GPW-4605	0901
FM-GPW-3635-B	0609B	LO-FC-4158	1207	AL-EBA-4611	0602
FM-GPW-3646	0609B	AL-VRY-4203A	0601B	FM-GP-4619	1003
FM-GPW-3652	0609B	FM-GP-4206	1003		1104
WO-A-3652	1809A		1104	FM-86H-4621	1104
FM-GPW-3655	1404	FM-GPW-4207	1003	FM-GP-4628	1003
FM-GPW-3658	1405		1104		1104
LO-S-FC-3678-A	1205	FM-GPW-4209	1003	FM-GP-4630	1003
FM-GPW-3682-A	1405		1104		1104
FM-GPW-3685	0604C	FM-GP-4211	1003	FM-GP-4659-A	1003
FM-GPW-3685-B	0604C		1104		1104
FM-GPW-3686	0604C	FM-GPW-4212	1003	FM-GP-4659-B	1003
FM-GPW-3686-B	0604C		1104		1104
WO-A-3782	1803	FM-GPW-4215	1003	FM-GP-4659-C	1003
WO-A-3783	0706A		1104		1104
	1803	FM-GP-4221	1003	FM-GP-4659-D	1003
WO-A-3784	0805B		1104		1104
	1803	FM-GP-4222	1003	FM-GP-4660-A	1003
WO-A-3818	1809A		1104		1104
WO-A-3823	1809A	FM-GP-4228	1003	FM-GP-4660-B	1003
WO-A-3835	1809A		1104		1104
CAR-39-10	0301	FM-GP-4229-A	1003	FM-GP-4660-C	1003
CAR-39-11	0301		1104		1104
SP-39-Q-20	0805B	FM-GPW-4229-A	1104		1000
WO-A-3933	1817	FM-GP-4229-B	1003	FM-GP-4661	1003
WO-A-3934	1817		1104		1100
WO-A-3943	1803	FM-GP-4229-C	1003		1104
WO-A-3980	1804A		1104	FM-GPW-4661	1000
WO-A-3981	1804A	FM-GP-4229-D	1003	LO-FD-4664	1207
WO-A-3982	1804A		1104	LO-FD-4665	1207
WO-A-3983	1804A	FM-GP-4229-E	1003	FM-GP-4666	1003
WO-A-3984	1804A		1104		1104
WO-A-3985	1804A	FM-GP-4230	1003	FM-GP-4668	1003
FM-GPW-4001	1100		1104		1104
SL-SPK-4003	2004	FM-GPW-4234	1102	FM-GP-4676	1003
FM-GPW-4004	1101	FM-GP-4235	1102		1104
AL-1AD-4008	0603-1	FM-GP-4236	1104		1000
AL-SW-4015	0606	FM-GPW-4236	1003	FM-GP-4676-A	1003
FM-GP-4015	1001		1104		1100
	1101	FM-GP-4241	1003		1104
FM-GP-4016	1001		1104	WO-A-4679	1704
	1101	FM-GP-4252	1301A	WO-A-4680	1704
FM-GP-4016-A	1001	FM-GPW-4259	1102	WG-4682-K	0704
	1101	WO-A-4260	1811	WO-A-4683	1704
FM-GP-4022	1001	FM-GP-4281	1003	WG-4686	0704
	1101		1104	WO-A-4687	1811D
FM-GP-4032	1100	WO-A-4300	1811	AL-1GC-4705	0603
	1102	WO-A-4303	1811	SP-475-2	0810
	1000	B & B-4324	0201A	FM-GP-4841	0902
FM-GP-4035	1001	CAR-43-67	0301	FM-GP-4842	1003
	1100	WO-A-4413	0501		1104
	1101	WO-A-4414	1800B	FM-GP-4863	0803
CB-CB-4057	0607	WO-A-4415	1800B	FM-GPW-4863	0803
AL-1G-4070L	0604	WG-4418-M	0706C	FM-GP-4865	0803
AL-VRA-4101C	0601B-1	WG-4496-K	0706A	FM-GP-4866	0902
AL-MZ-4113	0602	WG-4497	0706A	CAR-48-84	0301
	1701	WG-4498-K	0706A	AL-GEG-5001	0601
WO-A-4116	1802A	WO-A-4516	1804	AL-GEG-5002D	0601
	2103A	WO-A-4518	1804	FM-GPW-5005	1500
WO-A-4118	2103A	LM-GP-4533	0902	FM-GPW-5005-B	1500

PART NUMBER INDEX—MANUFACTURERS (Cont'd)

Number	Group	Number	Group	Number	Group
	0102A	WO-5067	0607	WO-A-5168	0107H
	0110	CA-S-5069	1401	FM-GPW-5175	0610A
WO-5009	0607	CA-S-5070	1401	WO-A-5181	1500
	0809	WO-A-5070	0606B	FM-GPW-5182	1502
	1502	FM-GPW-5072	1500	WO-5182	1809A
	0103B	WO-A-5072	0606B		1817
	0106D	WO-A-5073	0606B	FM-GPW-5186	0606F
	0109C	WO-A-5074	0606B		1502
	0110	FM-GPW-5077	1500	WO-A-5197	0606
	0306B	WO-A-5078	0606B	WO-5215	1500
	0401	WO-A-5079	0606B	WO-5216	2201A
	0505	WO-A-5080	0606B	WO-A-5224	1209C
	0601A	WO-A-5081	0606B	WO-A-5225	1209C
	0602		0609B	WO-A-5226	1209C
	0607D	WO-A-5082	0606B	WO-A-5227	1209C
WO-5010	0700	WO-A-5083	0604A	FM-GPW-5230	0401
	0800	FM-GPW-5084	0809	FM-GPW-5230-A	0401
	0801		1500	FM-GPW-5230-B	0401
	0804	WO-5085	0101	FM-GPW-5230-C	0401-1
	1102		1403A	WO-A-5231	0605
	1106	FM-GPW-5095	1500	FM-GPW-5233	0401-1
	1107	FM-GPW-5097	1500	FM-GPW-5245-B	0401-1
	1201	CB-CB-5099	0607	FM-GPW-5246	0401
	1201-1	WO-A-5102	0203	FM-GPW-5246-B	0401
	1203	AL-GEG-5101	0601-1	WO-5247	1809
	1402	WO-A-5104	0301C	WO-5249	1500
	1802	WO-A-5105	0107G	FM-GPW-5251	0401
	2101	FM-GPW-5106	1500	FM-GPW-5251-B	0401-1
WO-5017	0602	WO-A-5106	0303A	FM-GPW-5253	0401-1
FM-GPW-5019-B	1500	FM-GPW-5113	1500	WO-A-5256	0601B
WO-5020	1201	WO-A-5113	2000	WO-A-5260	0601B
	1205	FM-GPW-5116	1403A		0603-1
WO-5021	1602	FM-GPW-5118	1205		0401
FM-GPW-5025	1500	WO-A-5120	0300	FM-GPW-5262	0401-1
WO-A-5027	2603		1802A		0601B
FM-GPW-5028	1500	WO-5121	1704		0603-1
WO-A-5030	2603	WO-A-5121	0109C	WO-A-5262	0603-1
WO-A-5031	2603	FM-GPW-5125	1500	FM-GPW-5264	0401
WO-A-5032	2603	WO-A-5125	0110	FM-GPW-5264-A	0401
WO-A-5033	2603	WO-A-5127	1500	FM-GPW-5264-B	0401
WO-A-5034	2603	KS-5131	2204		0401-1
FM-GPW-5035	1500		0107A-1	FM-GPW-5265	0401-1
WO-A-5035	2603		0802	GPW-5266	0401-1
WO-5036	0102	WO-5134	0803	WO-5267	1500
	0204		1006	FM-GPW-5269	0401
WO-A-5036	2603		1401	FM-GPW-5270	0401
WO-A-5037	2603		2201	WO-5272	0108C
WO-5038	1403A	WO-5138	0101		0606E
WO-A-5038	2603		0108	FM-GPW-5274	0401
WO-A-5039	2603		0306B		0401-1
WO-A-5040	2603		0701	FM-GPW-5276	0401-1
WO-A-5041	0606B	WO-5140	0801	FM-GPW-5283	0401
	2603		1006		0401-1
WO-5045	0301	CA-S-5143	1401	WO-A-5288	0601
	0601	CA-S-5144	1401		0601-1
WO-A-5048	0606B	CA-S-5145	1401	FM-GPW-5291B	1500
WO-5051	1403A	WO-5152	2000	FM-GPW-5298	0401
FM-GPW-5057	1500	FM-GPW-5165	0610A	FM-GPW-5310	1601
WO-5059	0204A	WO-A-5165	0107G	FM-GPW-5310-B	1601
WO-A-5061	0606B	FM-GPW-5168	0610A		2000
	1209C		0601-1	FM-GPW-5311	1601
WO-5064	0606B	WO-5168	0601B	FM-GPW-5311-B	2000
	0606E		0603	FM-GPW-5313-A	1601
	2204		0603-1		

PART NUMBER INDEX—MANUFACTURERS (Cont'd)

Number	Group	Number	Group	Number	Group
FM-GPW-5313-B	1601	WO-A-5488	1301	WO-5781	1201-1
FM-GPW-5315-A	1601	WO-A-5497	0100	FM-GPW-5781-A	1601
FM-GPW-5315-B	1601	WO-A-5498	1000	FM-GPW-5783-A	1601A
FM-GPW-5316-A	1601	WO-A-5499	1000	LO-FC-5784	1601B
FM-GPW-5316-B	1601	WO-A-5500	1100	WO-5790	1209B
WO-5326	1500	WO-A-5504	1006		0608
FM-GPW-5330-A	1601		1500		1201
FM-GPW-5330-B	1601		1505		1704
FM-GPW-5333-A	1601	WO-5544	1802		1811
FM-GPW-5333-B	1601A		1802A	LO-S-FC-5795	1209B
WO-A-5335	1201		2103	WO-A-5806	0607D
WO-5336	0204A	WO-A-5548	0301	SP-5815-X	1201
FM-GPW-5337	1500	WO-A-5549	1301	WO-5848	0605
WO-A-5337	2603	WO-A-5553	0703	SP-5900-X	1201
FM-GPW-5341	1500	WO-A-5554	0703		0610B
FM-GPW-5345-A	1601	WO-A-5556	0300A	WO-5901	1500
FM-GPW-5345-B	1601A	FM-GPW-5560	1601A		2101
WO-5354	0204A	FM-GPW-5560-B	1601A		0204
	1201-1	FM-GPW-5563	1601A		0401-1
LO-FC-5381	1207	FM-GPW-5565	1601A		1201-1
WO-A-5393	1201	FM-GPW-5566	1601A	WO-5910	1601
	1201-1	WO-5580	0606B		1601A
WO-5397	2000	WO-A-5586	0607		1601B
WO-A-5415	1500	FM-GPW-5587	1601C		1601C
WO-5433	0303	FM-GPW-5587-B	1601C		1602
	1201	FM-GPW-5588	1601C		2101
	0401	FM-GPW-5588-A	1601C		0301C
	0601B	FM-GPW-5590	1601C	WO-5914	0303
	0602	FM-GPW-5590-B	1601C		0604
	0607	WO-A-5598	0606B		0606
WO-5437	0609	WO-5599	0805		2203A
	1201	FM-GPW-5601	1602		0110
	1201-1	FM-GPW-5602	1601C	WO-5916	0607
	1804	FM-GPW-5604	1601C		0809
	2103	FM-GPW-5604-A	1601C		1203
	0606B	FM-GPW-5605	1601C		0106D
WO-A-5449	1209C	FM-GPW-5607	1601C	WO-5919	0306B
	2204	FM-GPW-5607-A	1601C		1500
WO-A-5450	0304	FM-GPW-5608	1601C	WO-5920	0609
	0606B	FM-GPW-5609	1601C	WO-5922	1804
FM-GPW-5453	1602	FM-GPW-5610	1601C	WO-5934	0110
FM-GPW-5453-B	1602	FM-GPW-5611	1601C		0401-1
FM-GPW-5455	1602	WO-A-5621	0301C	WO-5938	1602
	1802	WO-A-5629	0301C		1205
WO-5455	2201A	WO-A-5630	0301C	WO-5939	1403A
	2103	WO-A-5631	0301C		1502
FM-GPW-5455-B	1602	WO-A-5632	0301C	DM-5943	0606
FM-GPW-5456	1602	WO-A-5633	0301C	DM-5944	0606
FM-GPW-5458	1602	WO-A-5691	1401	SP-5951-X	0801
FM-GPW-5459	1602		2000	SP-5962-X	0803
FM-GPW-5460	1602	FM-GPW-5705	1602	DM-5969	0606
FM-GPW-5463	1602	FM-GPW-5705-B	1602	DM-5970	0606
FM-GPW-5463-B	1602	FM-GPW-5705-C	1602	WO-A-5980	2603
FM-GPW-5464	1602	FM-GPW-5724-A	1601A	WO-A-5981	0606B
FM-GPW-5464-B	1602	FM-GPW-5724-B	1601A	LO-FC-5992	1207
WO-A-5467	1301	LO-S-FC-5727-A	1205	WO-A-5992	0601
FM-GPW-5468	1602	WO-A-5734	2204	LO-S-FC-5993	1207
WO-A-5468	1301	WO-A-5753	0401	LO-FC-5994	1207
WO-A-5469	1301		0401-1	DM-5995	0606
WO-A-5470	1301	FM-GPW-5778	1602	LO-FC-5997	1207
WO-A-5471	1301	LO-S-FC-5778	1209C	LO-S-FC-5998	1207
WO-A-5472	1301	FM-GPW-5779	1602	DM-5999	0606
FM-GPW-5481	1602	WO-5780	0606D	LO-FC-6003	1207
FM-GPW-5482	1602	FM-GPW-5781	1601	FM-GPW-6004	0100

PART NUMBER INDEX—MANUFACTURERS (Cont'd)

Number	Group	Number	Group	Number	Group
FM-GPW-6005	0100	WO-A-612-1	1601	DM-6244	0606
LO-S-FC-6007	1205	WO-A-612-2	1601	FM-GPW-6244	0106
FM-GPW-6009	0101	WO-A-612-3	1601	FM-GPW-6245	0106
LO-S-FC-6009	1205	WO-A-613-1	1601	FM-GPW-6250	0106
LO-S-FC-6010	1205	WO-A-613-2	1601	FM-GPW-6256	0106C
LO-S-FC-6011	1205	WO-A-613-3	1207	FM-GPW-6260	0106C
CB-CB-6012	0607		1601	FM-GPW-6262-A	0106A
LO-S-FC-6014	1205	FM-GPW-6135-D	0103B	FM-GPW-6269	0106C
FM-GPW-6016	0106C	WO-A-614-1	1601A		0601
LO-S-FC-6018-E	1205	WO-A-614-2	1601A	WO-6273	0602
LO-S-FC-6019	1205		0607D		1209C
WO-A-6019	0606F	WO-A-6143	1601A	DM-6282	0604C
FM-GPW-6020	0101		0607D	FM-GPW-6285	0106
	0106D	WO-A-6144	0607D	FM-GPW-6286	0106D
FM-GPW-6029	1500	WO-A-6145	0607A	FM-GPW-6287	0102A
WO-A-6029	1000	WO-A-6146	0607D	FM-GPW-6288	0101
FM-GPW-6030	1500	WO-A-6147	0607D		0106D
WO-A-6030	1007	WO-A-6148	0607D	WO-6290	1800
FM-GPW-6031	0106D	WO-A-6149	0606		2201A
WO-A-6031	1007	FM-GPW-6149-E	0103A	WO-A-6297	0601
FM-GPW-6038	0110	FM-GPW-6149-G	0103A	WO-A-6298	0601
FM-GPW-6038-A	0110	FM-GPW-6149-H	0103A	WO-6299	1505
FM-GPW-6040-A	0110	FM-GPW-6149-J	0103A		2103
FM-GPW-6040-B	0110	FM-GPW-6150-A	0103A	WO-A-6299	0601
FM-GPW-6043	0110	FM-GPW-6150-C	0103A	WO-A-6300	0601
FM-GPW-6044	0110	FM-GPW-6150-D	0103A	WO-A-6301	0601
FM-GPW-6050	0101A		2103A	FM-GPW-6303-A	0102
FM-GPW-6051	0101A	WO-A-6152	0606	WO-A-6305	1402
FM-GPW-6051-B	0101	WO-A-6154	0606B	FM-GPW-6306	0106C
	0101A	FM-GPW-6155-A	0103A	SKF-6307-Z	0704
FM-GPW-6054	0106D	FM-GPW-6155-G	0103A	FM-GPW-6308	0102
FM-GPW-6060	0101A	FM-GPW-6155-H	0103A	FM-GPW-6310	0102
FM-GPW-6065	0101A	WO-A-6156	0110	FM-GPWS-6312	0102
FM-GPW-6066	0101A	FM-GPW-6156-A	0103A	CAR-6-312S	0301
WO-A-6066	1601C	FM-GPW-6156-F	0103A	WO-A-6313	0607D
FM-GPW-6067	0101A	FM-GPW-6156-H	0103A	WO-A-6317	0704
WO-A-6067	1601C	FM-GPW-6156-J	0103A	WO-A-6318	0704
WO-A-6068	1601C		0204	FM-GPW-6319	0102
FM-GPW-6069	0110	WO-6157	0601A	WO-A-6319	0704
WO-A-6069	1601C		1204	WO-A-6320	2603
FM-GPW-6071	0110	CAR-61-57	0301	FM-GPW-6326	0102A
WO-A-6072	1601C	FM-GPW-6158-F	0103A	WO-A-6326	1602
WO-A-6073	1601C	WO-6163	1502	WO-6330	0301
FM-GPW-6074	0601A-1		1505	FM-GPW-6331-A	0102A
WO-A-6074	1601C		1701	FM-GPW-6331-B	0102A
WO-A-6075	1601C	WO-6167	1802A	FM-GPW-6331-C	0102A
WO-A-6084	1201-1		1804	FM-GPW-6331-D	0102A
FM-GPW-6098	0110		1811	WO-A-6333	0300
FM-GPW-6105-A	0103		2103	FM-GPW-6333-A	0102A
FM-GPW-6105-C	0103	WO-A-6168	1601C	FM-GPW-6333-B	0102A
FM-GPW-6105-D	0103	WO-6169	1804	FM-GPW-6333-C	0102A
FM-GPW-6105-F	0103	WO-A-6169	1601C	FM-GPW-6333-D	0102A
WO-A-6108	1200	WO-A-6181	0606	FM-GPW-6337-A	0102A
WO-A-6109	1200	WO-6188	1209C	FM-GPW-6337-B	0102A
WO-A-6110	1207	FM-GPW-6200	0104	FM-GPW-6337-C	0102A
FM-GPW-6110-A	0102A	FM-GPW-6201	0104	FM-GPW-6337-D	0102A
FM-GPW-6110-C	0103	DM-6203	0606	FM-GPW-6338-A	0102A
FM-GPW-6110-D	0103	SKF-6206	0803	FM-GPW-6338-B	0102A
WO-A-6111	1207	FM-GPW-6211-A	0104A	FM-GPW-6338-C	0102A
WO-A-6113	1207	FM-GPW-6211-B	0104A		0102C
WO-A-6116	1207	FM-GPW-6211-C	0104A	FM-GPW-6338-D	0102A
WO-A-6117	1207	FM-GPW-6211-D	0104A	FM-GPW-6339-A	0102A
WO-A-6118	0401	WO-6214	0606D	FM-GPW-6339-B	0102A
WO-A-6119	0401	FM-GPW-6243	0106	FM-GPW-6339-C	0102A

PART NUMBER INDEX—MANUFACTURERS (Cont'd)

Number	Group	Number	Group	Number	Group
FM-GPW-6339-D	0102A	WO-A-6471	1007	FM-GPW-6642	0101
FM-GPW-6341-A	0102A	WO-A-6472	1007	FM-GPW-6642	0107
FM-GPW-6341-B	0102A	WO-6486	0401	FM-GPW-6644	0107
FM-GPW-6341-C	0102A	FM-GPW-6500-A	0105A	FM-GPW-6648	0101
FM-GPW-6341-D	0102A	FM-GPW-6500-B	0105A	FM-GPW-6648	0107
FM-GPW-6342-A	0106C	FM-GPW-6505	0105	FM-GPW-6648	0107N
FM-GPW-6342-B	0102	FM-GPW-6507	1105	FM-GPW-6654	0107
WO-A-6343	1404	FM-GPW-6510	2105	FM-GPW-6659	0101
FM-GPW-6345	0102A	FM-GPW-6510-B	0105	FM-GPW-6659	0107
	0606B	FM-GPW-6511	0105	WO-6660	1505
	1209C	WO-A-6511	1602	FM-GPW-6663	0107
	1800	FM-GPW-6511-B	0105	FM-GPW-6664	0107
WO-6352	1809A	FM-GPW-6513	0105	FM-GPW-6673	0107
	1817	FM-GPW-6514	0105	FM-GPW-6675	0107A
	2201A	FM-GPW-6520	0105C	FM-GPW-6684	0107
	2204	FM-GPW-6521	0101	FM-GPW-6700	0102A
FM-GPW-6353	0101	FM-GPW-6521	0105C	FM-GPW-6700	0101
	0102	SP-6524-X	1201-1	FM-GPW-6701	0503A
WO-A-6355	0606B	WO-A-6525	0107H	FM-GPW-6701	0102A
WO-A-6356	0606F	SP-6525-X	1201-1	FM-GPW-6701	0101
WO-A-6357	0301	WO-6536	0605	FM-GPW-6702	0102A
	0301A	FM-GPW-6546	0105	FM-GPW-6702	0101
WO-A-6361	1007	FM-GPW-6549	0105A	FM-GPW-6710	0107A
WO-A-6362	1000	FM-GPW-6549-B	0105A	FM-GPW-6710	0101
	1006	FM-GPW-6550	0105	WO-A-6710	0303
CAR-63-65	0301	FM-GPW-6552-B	0105A	FM-GPW-6722	0107N
FM-GPW-6369	0102A	FM-GPW-6555	0105C	FM-GPW-6727	0107A
WO-A-6373	0505	FM-GPW-6555-A	0101	FM-GPW-6734	0107A
WO-A-6374	0505	FM-GPW-6555-A	0105C	FM-GPW-6734	0101
FM-GPW-6375	0109	SP-6563-X	1201-1	WO-A-6740	1500
SP-S-638-1	1003	WO-A-6586	0606F	WO-A-6742	0809
	1104	WO-A-6587	0606F	WO-A-6742	0609B
WO-A-6382	1007	WO-A-6588	0606F	WO-A-6743	1003
SP-S-638-2	1003	WO-A-6589	0606F	WO-A-6743	1104
	1104	WO-6599	0203	WO-A-6744	1003
WO-A-6383	1007	FM-GPW-6600	1201-1	WO-A-6744	1104
	1209C	FM-GPW-6600	0107	WO-A-6745	1003
SP-S-638-3	1003	FM-GPW-6604	0107	WO-A-6745	1104
	1104		0109C	WO-A-6746	0102A
FM-GPW-6384	0109	WO-6606	0601A	WO-A-6747	0102A
WO-A-6384	1007		0700	WO-A-6748	0102A
FM-GPW-6387	0109		1201-1	WO-A-6749	0107
FM-GPW-6390	0102	FM-GPW-6608	0107	WO-A-6750	0107
	0109	WO-6609	0110	WO-A-6751	0201A
FM-GPW-6392	0109C		0601	WO-A-6752	0202
WO-A-6393	0606F		0601B	WO-A-6753	0801
	1502	FM-GPW-6610	0107	WO-A-6754	0302
	0106D	FM-GPW-6614	0107	WO-A-6755	0601
WO-6412	0110	FM-GPW-6615	0107A-1	FM-GPW-6756	0107N
	0801	FM-GPW-6617	0107A-1	FM-GPW-6756	0602
WO-A-6414	2208	WO-A-6618	0300	WO-A-6757	0604A
WO-A-6424	0300	FM-GPW-6619	0101	FM-GPW-6758	0107N
	0302A		0107	WO-A-6758	0606B
	0503	FM-GPW-6625	0101	FM-GPW-6758-A	0107N
WO-6428	0703		0107	FM-GPW-6758-B	0107N
	0706A		0101	WO-A-6759	1201
	1209C	FM-GPW-6627	0107	WO-A-6760	1403A
WO-6436	1601C		0107A	FM-GPW-6762	0107N
	1602		0107A-1	FM-GPW-6763-A	0107E
WO-A-6439	1102	WO-6627	1704	FM-GPW-6763-B	0107G
WO-A-6442	1000	FM-GPW-6628	0107	FM-GPW-6763-C	0107G
SP-6452-X	0801	FM-GPW-6630	0101	FM-GPW-6766-B	0107G
CAR-64-62-S	0301		0107	FM-GPW-6766-C	0107G
WO-A-6470	1000			FM-GPW-6769	0107N

PART NUMBER INDEX—MANUFACTURERS (Cont'd)

Number	Group	Number	Group	Number	Group
FM-GPW-6770	0107E	FM-GPW-7051-B	{0700	FM-BB-7220	0706A
FM-GPW-6771	{0301C		{0701	FM-GPW-7221	0706A
	{0107E	FM-GPW-7052	{0701	FM-GPW-7223	{0701
FM-GPW-6772	{0107E		{0703		{0706A
	{0301C	FM-GPW-7056	0706B	WO-A-7225	0606
WO-A-6783	0607D	FM-GPW-7059	0704	FM-GPW-7227	0706A
FM-GPW-6789	0107G	FM-GPW-7060	0704	FM-BB-7228	0706A
WO-A-6791	1401	FM-GPW-7061	0704	FM-GPW-7230	0706C
WO-A-6792	1000	FM-GPW-7062	0704	FM-GPW-7231	0706C
WO-A-6793	0101	FM-GPW-7062-B	0704	FM-GPW-7233	0706B
WO-A-6794	0103A	FM-GPW-7063	0703	WO-A-7233	0104A
WO-A-6796	0103A	FM-GPW-7064	0703	FM-GPW-7234	0706B
WO-A-6797	0103A	FM-GP-7065	0704	WO-A-7234	0104A
WO-A-6798	0102A	FM-B-7070	0703	WO-A-7235	0104A
WO-A-6811	0604C	WG-B-7070	0703	WO-A-7236	0104A
WO-A-6813	0604C	FM-GPW-7074	0902	WO-A-7238	0107A
WO-A-6814	0604C	FM-GP-7077	0902	FM-GPW-7240	0706B
WO-A-6816	{1003	FM-GPW-7080	0704	FM-GPW-7241	0706B
	{1104	FM-GPW-7082	0704	FM-GPW-7245	0706C
WO-A-6818	0107E	FM-GPW-7084	0902	WO-A-7260	0706A
WO-A-6836	1205	FM-GP-7092	0902	WO-A-7261	0706A
WO-A-6837	0301	FM-GP-7097	0902	WO-A-7280	0107H
WO-A-6838	0302	FM-GPW-7100	0704	FM-GPW-7291	1201-1
WO-A-6839	0503	FM-GPW-7102	0704	LO-FD-7379	1207
WO-A-6840	0301	FM-GPW-7104	0704	WO-A-7443	0800
WO-A-6851	0303	FM-GPW-7104-A	0704	WO-A-7445	0800
WO-A-6853	0303	FM-GPW-7105	0704	SP-7450	0805A
WO-A-6858	1404	FM-GPW-7106	0704	WO-A-7498	0110
WO-A-6861	1601C	FM-GPW-7107	0704	FM-GPW-7503	0204A
WO-A-6881	1007	FM-GPW-7109	0704	FM-GPW-7508	0203
WO-A-6882	1006	FM-GPW-7111	0704C	FM-GPW-7512	0204A
WO-A-6883	0306B	WO-A-7111	1007	FM-GPW-7514	0204A
WO-A-6885	0107N	FM-GPW-7113	0704C	FM-GPW-7515	0203
WO-A-6895	0107N	FM-GPW-7115	0704C	FM-GPW-7516	0203
WO-A-6897	0300	FM-GPW-7116	0704	FM-GPW-7517	0204A
WO-A-6902	1603	CAR-7-116S	0301	WO-A-7517	0303A
WO-A-6903	1603	FM-GPW-7119	0704C	WO-A-7518	0303A
WO-A-6911	0301C	FM-GPW-7120	0703	FM-GPW-7520	0204
WO-A-6915	0107G	FM-GPW-7121	0704C	FM-GPW-7520-A	0204
WO-A-6918	{0107G	FM-GPW-7124	0704	FM-GPW-7521	0204A
	{0301C	FM-GPW-7126	0704C	FM-GPW-7523	0204
WO-A-6919	0107N	FM-GPW-7129	0704C	FM-GPW-7525	0204
WO-A-6922	0107N	FM-GPW-7129-A	0704C	FM-GPW-7525-A	0204
WO-6923	1502	FM-K-7129-B	0501	FM-GPW-7530	0203
WO-A-6933	0501C	FM-GPW-7140	0704C	FM-GPW-7532	0203
WO-A-6941	0501	FM-GPW-7141	0704C	FM-GPW-7539	0204A
WO-A-6942	{0501	FM-GPW-7143	0704C	FM-GPW-7545	0204A
	{0501C	FM-GPW-7143-A	0704C	FM-GPW-7549	0201A
WO-A-6945	0501C	FM-GPW-7155	0704C	FM-GPW-7550	0201
WO-A-6946	0501C	WO-A-7191	0301C	FM-GPW-7561	0203
WO-A-6947	0501C	FM-GPW-7204	0706A	FM-GPW-7562	0203
WO-A-6949	0501C	FM-GPW-7206	0607C	FM-GPW-7563	0202
WO-6988	2202	FM-GPW-7207	{0701	FM-GPW-7565	0202
WO-6989	2202		{0706A	FM-GPW-7566	0202
FM-GPW-7000	0700	FM-GPW-7208	0706A	FM-GPW-7567	0202
FM-GPW-7005	0701	FM-GP-7209	0800	WO-A-7568	0102
FM-GPW-7005-A	0701	FM-GPW-7210	0706A	LO-FD-7568-A	1207
FM-GPW-7007	0109C	FM-GPW-7210-A	0706A	FM-GPW-7570	0202
FM-GPW-7015	0703	FM-GPW-7211-B	0706A	FM-GPW-7572	0202
FM-GPW-7017	0703	FM-GP-7213	0805B	FM-GPW-7577	0201A
FM-GPW-7025	0703	FM-GPW-7213	0706A	FM-GPW-7580	0203
FM-GPW-7025-A	0703	FM-GPW-7214	0706A	FM-GPW-7590	0202
BX-70-S-25	1201-1	FM-GPW-7216	0706A	FM-GPW-7591	0202
FM-GPW-7050	0703	FM-GPW-7217	0706A	WO-A-7596	0700

PART NUMBER INDEX—MANUFACTURERS (Cont'd)

Number	Group	Number	Group	Number	Group
FM-GPW-7600	0205	FM-GP-7787	0805	WO-A-8127	2204
WO-A-7600	2603	FM-GP-7788	0805	WO-A-8129	{0605 2204
ND-7607	0704	FM-GP-7789	0805	WO-A-8130	0605
LO-FC-7626	1209B	WO-A-7792	0604	WO-A-8131	0605
FM-GP-7676-A	1000	FM-GPW-7793	0805B	WO-A-8132	0605
WO-A-7681	2306	WO-A-7794	0601B	FM-GPW-8133	0501
WO-A-7682	2306	WO-A-7795	0601B	AL-8X-133A	0601B
FM-GPW-7700	0800	FM-GP-7796	0805B	AL-8X-137	0601B
FM-GPW-7703	0800	WO-A-7796	0601B	FM-GPW-8155	1803
FM-GPW-7704B	0800	WO-A-7797	0601B	AL-8X-163	0601B
FM-GPW-7705	0801	FM-GP-7798	{0800 0805	FM-GPW-8166	1803
FM-GPW-7706	0801	WO-A-7798	0601B	AL-8170	0605
FM-GPW-7707	{0800 0801	FM-GP-7798-A	{0800 0805	AL-8X-173	0601B
FM-GP-7708	0801	FM-GP-7799	0805B	AL-8X-177	0607
FM-GPW-7709	{0800 0801	WO-A-7799	0601B	WO-A-8180	2204
FM-GPW-7710	0805B	WO-A-7800	0601B	WO-A-8184	0605
FM-GPW-7711	0805A	WO-A-7801	0601B	WO-A-8186	0605
FM-GP-7712	0805A	WO-A-7802	0601B	WO-A-8188	0605
FM-GP-7718-A	0804	WO-A-7802	0601B	WO-A-8190	0605
FM-GP-7719	0803	WO-A-7803	{0601B 0601-1	WG-C8-2½	0706A
FM-GP-7722	0802	WO-A-7804	0601B	FM-GPW-8222	1803
FM-GP-7723	0803	WO-A-7805	0601B	FM-GPW-8240	0503A
FM-GPW-7726	0803	WO-A-7806	0601B	WO-A-8242	2204
FM-GP-7729	0803	WO-A-7807	0601B	WO-A-8249	1401
FM-GP-7733	0902	WO-A-7808	0601B	FM-GPW-8250	0505
FM-GPW-7736	0803	WO-A-7809	0601B	WO-A-8250	1401
FM-GP-7742	0804	WO-A-7810	0601B	WO-A-8252	1401
FM-GP-7743	0804	AL-EB-7819S	0602	WO-A-8253	1204
FM-GP-7744	0804	WO-A-7820	0601-2	FM-GPW-8255	{0101 0505
FM-GP-7746	{0800 0803	WO-A-7824	0606B	WO-A-8255	1602
FM-GP-7747	0803	WO-A-7825	0606B	WO-A-8256	1602
FM-GPW-7754	0801	WO-A-7826	2603	FM-IGT-8260	0505
FM-GPW-7756	{0701 0800 0801	WO-A-7830	1000	FM-GPW-8269	0505
FM-GP-7761	0803	WO-A-7831	1100	FM-GPW-8284	0505
FM-GP-7762	0803	WO-A-7832	0701	FM-GPW-8285	0505
FM-GP-7763	0803	WO-A-7833	0202	WO-A-8289	{1602 2000
FM-GP-7765	0803	WO-A-7834	0302	FM-GPW-8290	0505
FM-GP-7766	0803	WO-A-7835	0108	WO-A-8291	1602
FM-GP-7767	0804	WO-7836	0602	FM-GPW-8307	2101
FM-GPW-7768	0801	WO-A-7837	0810	AL-8X-309	0601B
FM-GPW-7768-B	0801	WO-A-7838	1205	AL-8X-311	0601
FM-GPW-7769	0801	WO-A-7839	0601	AL-8X-321	0601B
FM-GP-7770-A	{0800 0803	WO-A-7840	0601	WO-A-8322	0601B
FM-GP-7771	0803	WO-A-7841	0602	WO-A-8323	0302
FM-GPW-7773	{0800 0801	WO-A-7842	0602	FM-GPW-8348	2103
FM-GPW-7774	0801	WO-A-7843	0603	FM-GPW-8349	2103
FM-GP-7776	0803	WO-A-7844	0604A	AL-8X-350	{0601B 0601B-1
FM-GP-7777	0803	WO-A-7845	0606B	AL-8X-353	0603
FM-GP-7777-A	0803	WO-A-7848	2603	PR-S-8361	1602
FM-GPW-7781-A	0809	WO-A-7849	2603	AL-8X-361	{0601 0601B
FM-GP-7782-A	0801	FM-GPW-8005	0501	AL-8X-378	0601B-1
FM-GP-7782-B	0801	FM-GPW-8005-A	0501	AL-8X-388	0601B-1
FM-GP-7782-C	0801	CB-CB-8010	0607	WG-AT-84F-10A	0704C
CB-CB-7783	0607D	WO-A-8010	2603	WG-T-84F-11A	0704
FM-GP-7783	0803	FO-HA-8031	0304	WG-T-84F-12	0704
FM-GP-7784	0803	WO-A-8087	0606F	WG-C-84B-12A	0706A
FM-GPW-7786	0805	WO-A-8088	0606F	WG-T-84F-12A	0704
		FM-GPW-8100-A	0501	WG-T-84F-13	0704
		WO-A-8101	0401	WG-T-84D-14C	0701
		WO-A-8125	2204		
		FM-GPW-8125-A	0501		
		WO-A-8126	2204		

PART NUMBER INDEX—MANUFACTURERS (Cont'd)

Number	Group	Number	Group	Number	Group
WG-T-84F-15	0704	WO-A-8578	{1602 2000	FM-GPW-9051	{0300 0601B
WG-T-84J-16A	0703	FM-GPW-8600	0503	WO-A-9052	0601B
WG-AT-84J-16A	0703	WO-A-8619	2208	WO-A-9053	0601B
WG-T-84-17	0703	FM-GPW-8620	0503B	WO-A-9054	0601B
LO-FC-8418	1207	FM-GPW-8620-A	0503B	WO-A-9055	0601
WG-T-84C-19	0704	FM-GPWS-8620-AS	0503B	FM-GPW-9057	0300
WG-T-84J-20A	0706B	AL-EB-8734	0602	FM-GPW-9062	0300
WG-T-84J-21	0706A	WO-A-8774	0503	FM-GPW-9063	0300
WG-T-84-22	0706B	LO-FC-8778	1207	FM-GPW-9065	0300
WG-T-84C-23A	0706C	LO-FC-8779	1207	FM-GPW-9066	0300
WG-T-84C-24A	0706C	LO-FC-8782	1207	FM-GPW-9069	0300
WG-T-84G-25	0703	WO-A-8809	1603	FM-GPW-9071	{0300 1803
WG-AT-84I-25	0706A	WO-A-8810	1603	FM-GPW-9074	0300
WG-T-84G-26	0703	WO-A-8834	0303A	FM-GPW-9075	{0300 0603-1
WG-T-84J-28	{0704 0704C	WO-A-8835	0803	WO-A-9077	0801
WG-T-84-29	0704C	WO-A-8836	1007	FM-GPW-9078	0300
WG-T-84J-29	0704C	WO-A-8837	1007	FM-GPW-9079	0300
WG-T-84-30	0706A	WO-A-8838	1403A	FM-GPW-9082-A	1803
WG-T-84B-30A	0704C	WO-A-8841	0803	FM-GPW-9083-A	1803
WG-T-84-31	0706A	WO-A-8842	0601	WO-A-9084	0401-1
WG-T-84J-31	0704C	WO-A-8847	1201-1	FM-GPW-9085-A	1803
WG-T-84B-32	0706A	WO-A-8848	1201-1	WO-A-9086	0401-1
WG-T-84GJ-35	0704C	WO-A-8858	1500	WO-A-9090	0401-1
WO-A-8440	0204	WO-A-8859	0800	WO-A-9093	0610B
WG-T-84-42	0706B	WO-A-8860	1201-1	WO-A-9094	0610B
WG-T-84G-48	0704C	AL-8X-870	0601	FM-GPW-9095	0300
WG-T-84J-54	0703	AL-8X-878	{0601B 0601B-1	FM-GPW-9140	0306B
WO-A-8463	{1601 2000	WO-A-8883	2603	FM-GPW-9140-A	0306B
WO-A-8464	{1601 2000	WO-A-8884	2603	WO-A-9142	0401-1
WO-A-8477	1204	AL-8X-884	0603	WO-A-9144	0606B
WG-T-84-85A	0704C	AL-8X-888	{0601-1 0601B	FM-GPW-9149	0306B
WG-84J-86A	0706B	WO-A-8894	1200	WO-A-9150	0401-1
CB-CB-8494	0607A	WO-A-8895	1200	FM-GPW-9154	0304
WO-A-8498	0601B	WO-A-8896	1200	FM-GPW-9155	0306B
FM-GPW-8501	0503	WO-A-8897	1200	FM-GPW-9155-A	0306B
LO-FC-8502	1209B	WO-A-8898	1203	WO-A-9157	2001
AL-EB-8503	0602	WO-A-8914	0601B	WO-A-9158	2001
AL-EB-8505	0602	WO-A-8977	0704C	FM-GPW-9160	0306B
FM-GPW-8505	0503	WO-A-8993	0601B	FM-GPW-9162	0306B
AL-EB-8506	0602	SP-8996-SF	0901	FM-GPW-9182	0306B
AL-EB-8507	0602	WO-A-8997	0601B	FM-GPW-9183	0306B
FM-GPW-8509	0503A	SP-8997-SF	0901	FM-GPW-9184	0306B
FM-GPW-8509-A	0503A	FM-GPW-9001	0300	FM-GPW-9185	0306B
FM-GPW-8512	0503	FM-GPW-9002-A	0300	FM-GPW-9186	0306B
CB-CB-8523	0607	FM-GPW-9002-B	0300	WO-A-9194	{2000 2001
FM-GPW-8524	0503	FM-GPW-9002-C	0300	WO-A-9196	{2000 2003
FM-GPW-8524-A	0503	FM-GPW-9030	0300	WO-A-9201	2000
FM-GPW-8530	0503	FM-GPW-9030-A	0300	WO-A-9202	{2000 2001
FM-GPW-8530-A	0503	FM-GPW-9030-B	0300	WO-A-9203	2001
FM-GPW-8543	{0101 0503	FM-GPW-9034-A	0300	CB-CB-9204	0607D
FM-GPW-8548	0503	FM-GPW-9035-B	0300	WO-A-9205	{0102 2000
LO-FC-8553	1209B	WO-A-9040	0601B	WO-A-9206	2003
FM-GPW-8557	0503	WO-A-9041	0601B	WO-A-9208	2001
FM-GPW-8557-A	0503	WO-A-9042	0601B	WO-9210	2001
WO-A-8558	{0101 0101A	WO-A-9043	0601B	FM-GPW-9211	{0300A 2000 2001
FM-GPW-8572-B	0503	WO-A-9044	0601B		
FM-GPW-8575	0502	WO-A-9046	0601B		
FM-GPW-8576	0503	WO-A-9047	0601B		
FM-GPW-8578	0502	WO-A-9048	0601B		
		WO-A-9049	0601B		
		WO-A-9050	0601B		

PART NUMBER INDEX—MANUFACTURERS (Cont'd)

Number	Group	Number	Group	Number	Group
CB-CB-9212	{ 0608	FM-GPW-9363	0302	FM-GPW-9538	0301
	{ 2001	FM-GPW-9364	0302	FM-GPW-9541	0301
WO-A-9214	2000	FM-GPW-9365	0302	FM-GPW-9543	0301
WO-A-9215	2000	FM-GPW-9369	0304	FM-GPW-9544	0301
CB-CB-9218	0607A	FM-GPW-9373	0302	FM-GPW-9545	0301
WO-A-9220	0606B	FM-GPW-9377	0302	FM-GPW-9546	0301
CB-CB-9225	0607A	FM-GPW-9378	0302	FM-GPW-9549	0301
CB-CB-9231	0608	FM-GPW-9380	0302	FM-GPW-9550	0301
	{ 0608	FM-INC-9381	0302	FM-GPW-9554	0301
	{ 2000	FM-GPW-9386	0302	FM-GPW-9562	0301
CB-CB-9232	{ 0608	FM-GPW-9387	0302	FM-GPW-9566	0301
	{ 2000	FM-GPW-9388	0302	FM-GPW-9567	0301
CB-CB-9233	{ 0608	FM-GPW-9396	0302	FM-GPW-9569	0301
	{ 2000	FM-GPW-9396-B	0302	FM-GPW-9570	0301
CB-CB-9234	0607A	FM-GPW-9398	0302	FM-GPW-9574	0301
FM-GPW-9237	0304	FM-GPW-9398-B	0302	FM-GPW-9575	0301
FM-GPW-9237-B	0304	FM-GPW-9399	0302	FM-GPW-9576	0301
FM-GPW-9267	0304	WO-A-9402	0601	FM-GPW-9578	0301
FM-GPW-9267-A	0304	FM-GPW-9410-B	0108	FM-GPW-9579	0301
FM-GPW-9268	{ 0107N		{ 0101	FM-GPW-9581	0301
	{ 0304	FM-IGA-9417	{ 0302	FM-GPW-9583	0301
FM-GPW-9269	0304		{ 0302A	FM-GPW-9585	0301
FM-GPW-9273	0605	FM-GPW-9424	0108	FM-GPW-9586	0301
FM-GPW-9275	0300A	FM-GPW-9424-B	0108	FM-GPW-9587	0301
FM-GPW-9275-A	0300A	FM-GPW-9426	0108	FM-GPW-9588	0301
FM-GPW-9276	{ 0300A	SPW-B-9427	0609	FM-GPW-9594	0301
	{ 0607D	FM-GPW-9428	0108	FM-GPW-9595	0301
FM-GPA-9280	0605	FM-GPW-9435	{ 0101	FM-GPW-9598	
CB-CB-9281	0607D		{ 0108	FM-GPW-9599	0301
FM-GPW-9282	0304	FM-GPW-9443	0108	FM-GPW-9608	0301
FM-GPW-9288	0304	FM-GPW-9445	0301A	FM-GPW-9609	0301C
AL-9288-A	0605	FM-GPW-9447	0301A	FM-GPW-9610	0301
FM-GPW-9289	0304	FM-GPW-9448	{ 0101	FM-GPW-9612	0301C
WO-A-9293	0302		{ 0108	FM-GPW-9614	0301
FM-GPW-9295	{ 0304	FM-GPW-9448	{ 0101	FM-GPW-9615	0301
	{ 0606B		{ 0108	FM-GPW-9617	0301C
WO-A-9307	0603-1	FM-GPW-9450	{ 0101	FM-GPW-9618	0301C
WO-A-9308	0603-1		{ 0108	FM-GPW-9621	0301C
WO-A-9309	0603-1	FM-GPW-9456	0108C	FM-GPW-9623	0301C
WO-A-9310	0603-1	FM-GPW-9458	0108C	FM-GPW-9624	0301
WO-A-9311	0603-1	FM-GPW-9460	0108C	FM-GPW-9625	0301C
WO-A-9312	0603-1	FM-GPW-9462	0108C	FM-GPW-9628	0301C
WO-A-9313	0603-1	FM-GPW-9463	0108C	FM-GPW-9631	0301
WO-A-9314	0603-1	FM-GPW-9465	0108C	FM-GPW-9632	0301C
WO-A-9315	0603 1	FM-GPW-9467	0108C	FM-GPW-9633	0301C
FM-GPW-9316	{ 0107J	FM-GPW-9467-A	0108C	FM-GPW-9636	0301
	{ 0603-1	FM-GPW-9468	0302	FM-GPW-9637	0301C
WO-A-9317	0603-1	FM-GPW-9469	0302	FM-GPW-9637-A	0301C
WO-A-9318	0603-1	FM-GPW-9484	0108C	FM-GPW-9637-B	0301C
FM-GPW-9319-A	0605	WO-A-9490	0503B	FM-GPW-9647	0301C
FM-GPW-9323	0107J	FM-GPW-9510	0301	FM-GPW-9650	0301
WO-A-9330	0801	FM-GPW-9515	0301	FM-GPW-9652	0301C
WO-A-9331	0801	FM-GPW-9516	0301	FM-GPW-9652-B	0301C
WO-A-9332	1201-1	FM-GPW-9518	0301	FM-GPW-9653	0301C
WO-A-9333	1201-1	FM-GPW-9519	0301	CL-9654	0606
WO-A-9334	0801	FM-GPW-9520	0301	FM-GPW-9656	0301C
WO-A-9336	0801	FM-GPW-9522	0301	FM-GPW-9657	0301C
WO-A-9337	0801	FM-GPW-9523	0301	FM-GPW-9658	0301C
WO-A-9338	1201-1	FM-GPW-9525	0301	FM-GPW-9686	0301C
WO-A-9339	1201-1	FM-GPW-9526	0301	FM-GPW-9686A	0301C
FM-GPW-9350-A	0302	FM-GPW-9527	0301	FM-GPW-9686-B	0301C
FM-GPW-9350-B	0302	FM-GPW-9528	0301	FM-GPW-9696	0301
AB-A-935-1	0203	FM-GPW-9529	0301	FM-GPW-9700	0303
FM-11A-9352	0302	FM-GPW-9531	0301	FM-GPW-9711	0303
FM-GPW-9354	0302	FM-GPW-9533	0301		
FM-GPW-9355	0302				

PART NUMBER INDEX—MANUFACTURERS (Cont'd)

Number	Group	Number	Group	Number	Group
SP-97-Q-13	0805B	FM-GPW-10088	0601	FM-GPW-10214	{0601
FM-GPW-9716	0303	FM-B-10094	{0601	FM-GPW-10216	{0601-2
FM-GPW-9719	0303	FM-GPW-10098	{0601-2	FM-GPW-10218	{0601
FM-GPW-9726	0303	FM-GPW-10100	0601	WO-A-10231	{0601-1
FM-GPW-9727	0303	FM-GPW-10104	0601	WO-A-10269	{0601
FM-GPW-9728	0303	FM-GPW-10105	0601	WO-A-10276	{1101
FM-GPW-9731-B	0303	CAR-101-10	0301	WO-A-10277	{1101
FM-GPW-9735-A	0303	FM-GPW-10112	0601-1	WO-A-10278	{0204
FM-GPW-9735-B	0303	FM-GPW-10116	0601	WO-A-10279	{0603-1
FM-GPW-9737	0303	FM-GPW-10118	0601	WO-A-10280	{0603-1
FM-GPW-9739	0303	FM-GPW-10119	0601	WO-A-10282	{0603-1
FM-GPW-9742	0303	FM-GPW-10119-B	0601	WO-A-10284	{2000
FM-GPW-9745	0303	FM-GPW-10120	0601	WO-A-10284	{2001
FM-GPW-9751	0303	FM-GAS-10120-A	0601-2	WO-A-10285	{2000
FM-GPW-9752	0303	FM-GPW-10121	0601	WO-A-10286	{2001
FM-GPW-9775	0303	FM-GPW-10122	{0601	WO-A-10287	{1601B
FM-GPW-9775-B	0303	FM-GPW-10122	{0601-1	WO-A-10288	{2000
FM-GPW-9778	0303A	FM-GPW-10124	0601	WO-A-10289	{2002
FM-GPW-9795	0303	FM-GPW-10128	0601	WO-A-10290	{2000
FM-GPW-9799	0303	FM-GPW-10129-B	0601	WO-A-10291	{0601-1
AL-9799-A	0605	FM-GPW-10129-B	0601-1	WO-A-10292	{0601-1
FM-GPW-9896	0301	FM-GPW-10130	{0601	WO-A-10293	{0601-1
FM-GPW-9905	0301	FM-GPW-10130	{0601-2	WO-A-10294	{0601-1
FM-GPW-9906	0301	FM-GPW-10134	0601	WO-A-10300	{2001
FM-GPW-9907	0301	FM-GPW-10138	0601	WO-A-10301	{2001
FM-GPW-9914	{0301	FM-GPA-10139	{0601	WO-A-10302	{2001
FM-GPW-9922	{0314	FM-GPW-10141	{0601-2	WO-A-10308	{2001
FM-GPW-9926	0301	FM-B-10141	{0601	AL-10310-A	{0605
FM-GPW-9928	0301	FM-GPA-10142	{0603	AL-10311-A	{0605
FM-GPW-9930	0301	FM-GPA-10142	0601-2	AL-10312	{0605
FM-GPW-9935	0301	FM-GPW-10142	0601	WO-A-10312	{2000
FM-GPW-9940	0301	FM-GPW-10143	0601	AL-10313-A	{0605
FM-GPW-9945	0301	FM-GPW-10143	0601A	WO-A-10315	{2001
AL-9979-A	0300A	FM-GPA-10145	0601A-1	WO-A-10320	{1201-1
TIM-02820	{1003	FM-GPWS-10146-B	0601A-1	WO-A-10329	{1201-1
TIM-02872	{1104	FM-GPW-10147	0601-1	WO-A-10330	{1201-1
FM-GPWS-10000	0601-2	FM-GPW-10147	0601-2	WO-A-10331	{1201-1
FM-GPW-10000-A	0601	FM-GPW-10149	{0601A-1	WO-A-10332	{1201-1
FM-GPW-10005	0601	FM-GPW-10153-A	0601A	WO-A-10333	{1201-1
FM-GPW-10005-B	0601	FM-GPW-10155	0601A	WO-A-10334	{1201-1
AL-10014-A	0605	FM-GPW-10162	0601A	WO-A-10335	{1201-1
FM-GPW-10027	0601A-1	FM-GPA-10166	0601A-1	WO-A-10336	{1201-1
FM-GPW-10035	0601	FM-GPW-10166	0601A	WO-A-10337	{1201-1
FM-GPW-10041	0601	AL-1017-1	0605	WO-10338	{1201-1
WO-A-10047	0603-1	FM-GPA-10175	0601-2	WO-A-10339	{2000
WO-A-10048	0601-1	FM-GPW-10175	0601	WO-A-10369	{0601-1
FM-GPW-10050	{0601	FM-GPW-10176	0601A	WO-A-10370	{2000
WO-A-10052	{0601-2	FM-GPW-10177	0601A	WO-A-10394	{2001
FM-GPW-10057	{1201-1	FM-GPW-10178-A	{0601A	WO-A-10397	{2000
FM-GPW-10061	{0601	FM-GPW-10191	{0601A-1	CB-CB-10436	{0607
AL-10063	0605	FM-GPW-10192	0601	FM-GPW-10455	{0601B
FM-GPW-10069	0601	FM-GPW-10192	0601	CB-CB-10461	{0607D
AL-10075-A	0605	FM-01A-10193	0601	CB-CB-10462	{0607D
FM-GPW-10082	{0601	WO-A-10199	0401	FM-GPA-10505	{0601B-1
FM-GPW-10086	{0601-1	FM-GPW-10202-A	0601	FM-GPW-10505	{0601B
FM-GPW-10087	{0601	FM-GPW-10202-B	0601	CAR-105-13	{0301
	{0601-1	FM-GPW-10202-C	0601	FM-GPW-10523	{0601B
	{0601	FM-GPW-10206-A	0601	FM-GPW-10528	{0601B
	{0601-1	FM-GPW-10206-B	0601		
	{0601	FM-GPW-10206-B	0601		
	{0601-1	FM-GPW-10208-A	0601		
	{0601	FM-GPW-10208-B	0601		
	{0601-1	FM-GPW-10211-A	0601		
	{0601	FM-GPW-10211-B	0601		
	{0601-1	FM-GPW-10212	{0601		
	{0601-1	FM-GPW-10212	{0601-1		

PART NUMBER INDEX—MANUFACTURERS (Cont'd)

Number	Group	Number	Group	Number	Group
FM-GPW-10532	0601B	CAR-11B-125S	0301	WO-A-11868	0606
FM-GPW-10536	0601B	CAR-11B-127S	0301	WO-A-11869	0606
FM-GPW-10540	0601B	CAR-11B-129S	0301	WO-A-11870	0606
FM-GPW-10544	0601B	FM-GPW-11130	0602	WO-A-11871	0606
FM-GPW-10551	0601B		0602-1	WO-A-11931	1804A
FM-GPW-10554	0601B	FM-GPW-11131	0602	WEB-11935-B	0606F
WO-10558	1402	FM-GPW-11134	0601B-1	WO-A-11940	1820
FM-GPW-10577	0601B	FM-GPW-11135	0602	WO-A-11942	1820
FM-GPW-10584	0601B	FM-GPW-11140	0602	WO-A-11944	1820
FM-GPW-10594	0601B	WO-A-11176	0501C	WO-A-11945	1820
FM-GPW-10623	0601B	CB-CB-11193	0607D	WO-A-11946	1820
FM-GPW-10636	0601B	CB-CB-11199	0607D	FM-GPA-12000	0604
FM-11AS-10658	0610	CB-CB-11200	0607D	FM-GPW-12000	0604
BX-1067-S-3	1202	CB-CB-11263	0607D	FM-GPW-12000-B	0604
BX-1067-S-4	1202	CB-CB-11267	0607A	WO-A-12003	1802A
FM-GPW-10692	0610A	WO-A-11319	1820	FM-GPW-12006	0604A
FM-GPW-10693	0610A	FM-GPW-11350	0602	FM-GPW-12010	0603
FM-GPW-10850	0605	FM-GPW-11354	0602	WO-A-12010	1802A
FM-GPW-10850-B	0605	FM-11357-A	0602	FM-GPW-12010-B	0603-1
FM-GPW-10883	0605	FM-B-11357-A	0602	FM-GPW-12011	0603
FM-GPA-11001	0602-1	FM-B-11371	0602	WO-A-12011	1802A
FM-GPW-11001	0602	FM-GPW-11375	0602	FM-GPW-12012	0603
FM-GPW-11001-A	0602	FM-GPW-11376	0602	WO-A-12017	1802A
AL-IAD-1100-LB-1	0603-1	FM-GPW-11377	0602	WO-A-12023	1802A
FM-GPW-11002	0602	FM-B-11379	0602	WO-A-12024	1802A
FM-GPW-11005	0601B-1	FM-B-11381	0602	WO-A-12025	1802A
FM-GPW-11036-B	0602	FM-GPW-11382	0602	FM-GPW-12030	0604
	0602-1	FM-GPW-11394	0601B-1	WO-A-12054	1803
FM-GPW-11049	0602	FM-GPW-11395	0602	WO-12055	1803
FM-GPW-11053	0602	BX-1141-S-1	1202	WO-A-12056	0606
	0602-1	BX-1141-S-2	1202	FM-GPW-12064	0604
FM-GPW-11055	0602	CAR-114-21S	0301	FM-GPW-12082	0603
	0602-1	WO-A-11432	1811D		0603-1
FM-GPW-11056	0602	WO-A-11433	1811D	FM-GPW-12083	0603
	0602-1	FM-GPW-11450	0606	FM-GPW-12084	0603
FM-B-11059	0602	CB-11495	0607D	FM-GPW-12084-B	0603-1
	0602-1	CB-CB-11500	0607D	FM-GPW-12091-A	0604A
FM-GPW-11061	0602	CB-CB-11503	0607D	FM-GPW-12094	0603-1
FM-GPW-11077	0601B-1	FM-GPW-11514-A	1803	FM-GPW-12095	0603-1
FM-GPW-11082	0602	WO-A-11519	1811D	FM-GPW-12100	0603
FM-GPW-11083	0602	TIM-11520	1006	FM-GPW-12100-B	0603-1
	0602-1	FM-GPW-11535	0602	WO-A-12105	1802A
FM-GPA-11084	0602-1	WO-11567	0302	FM-GPW-12106	0603
FM-GPW-11084	0602	WO-A-11581	1820	FM-GPW-12106-B	0603-1
FM-GPA-11085	0602-1	WO-A-11584	1820	FM-GPW-12120	0603
FM-GPW-11085	0602	TIM-11590	1006		0603-1
FM-GPA-11089	0602-1	FM-GPW-11649	0606	FM-GPW-12133	0603
FM-GPW-11089	0602	WO-116551	1202		0603-1
FM-GPW-11090	0602	WO-116552	1202	FM-GPW-12139	0603
	0602-1	WO-A-11701	1505		0603-1
FM-GPW-11094	0602	WO-A-11729	1804A	FM-GPW-12144	0603
	0602-1	WO-A-11730	1804A	FM-GPW-12145	0603
FM-GPW-11095	0602	WO-A-11732	1804A	FM-GPW-12151	0603
	0602-1	WO-A-11757	2203	FM-GPW-12155	0603
FM-GPW-11102	0602	CAR-117-58	0301	CAR-121-56	0301
	0602-1	WO-A-11760	0610	FM-GPW-12157	0603-1
FM-GPW-11103	0602	WO-A-11766	2603	FM-GPW-12162	0603
	0602-1	WO-A-11768	0607D	FM-GPW-12163	0603-1
CAR-11B-105	0301	WO-A-11770	0607D	FM-GPW-12165	0603-1
FM-GPW-11107	0602	WO-A-11850	2202	FM-GPW-12166	0603-1
	0602-1	WO-A-11861	2202	FM-GPW-12167	0603-1
FM-GPW-11120	0602	WO-A-11862	2202	FM-GPW-12169	0603
WO-A-11121	0501C	WO-A-11866	0606	CAR-121-73	0301
B & B-11123	0201	WO-A-11867	0606	FM-GPW-12174	0603

PART NUMBER INDEX—MANUFACTURERS (Cont'd)

Number	Group	Number	Group	Number	Group
FM-GPW-12175	0603	FM-GPW-13020	0607	BT-BT-14131	0803
FM-GPW-12175-B	0603-1	FM-GPW-13022	0607	TIM-14131	0803
FM-GPW-12176	0603	FM-GPW-13032	0607	FM-GPW-14171	0609B
FM-GPW-12176-B	0603-1	FM-GPW-13043	0607	SP-14223	1003
FM-GPW-12177	0603	FM-GPW-13070	0607		1104
	0603-1	FM-GPW-13071	0607	CAR-14-246S	0301
FM-GPW-12178	0603	FM-GPW-13075	0607	BT-BT-14276	0803
FM-GPW-12178-B	0603-1	FM-GPW-13076	0607	TIM-14276	0803
FM-GPW-12182	0603	RG-T-13086	1403A	FM-GPW-14300	0610B
	0603-1	SP-G-13-124	1007	FM-GPW-14300-B	0610B-1
FM-GPW-12188	0603	FM-GPW-13150	0607D	FM-GPWS-14301	0610B-1
FM-GPW-12188-B	0603-1	FM-GPW-13150-C	0607D	FM-GPW-14301-B	0610B
FM-GPW-12191	0603	FM-GPW-13152	0607A	FM-GPW-14303	2603
FM-GPW-12193	0603	FM-GPW-13162	0607D	FM-GPW-14305	0606B
	0603-1	FM-GPW-13166	0607D	FM-GPW-14305-C	0606B
AL-12X-193	0601	FM-GPW-13170	0607D	FM-GPW-14305-D	0606B
AL-12X-194	0601	FM-GPW-13174	0607D	FM-GPW-14321	0604A
FM-GPW-12195	0603	FM-GPW-13175	0607D	FM-GPW-14401-A	0606B
AL-12X-196	2204	FM-GPW-13176	2103A	FM-GPW-14401-B	0606B
AL-12X-199	0601B	FM-GPW-13180	0607D	FM-GPW-14401-C	0606B
FM-GPW-12200	0603	FM-GPW-13181	0606B	FM-GPW-14401-D	0606B
FM-GPW-12217	0603	FM-GPA-13189	0606E	FM-GPW-14401-F	0606B
	0603-1	FM-GPW-13200	0607D	FM-GPW-14402	0606B
FM-GPW-12218	0603	FM-GPW-13201	0607D	FM-GPW-14402-A	0606B
WO-A-12237	1800	FM-GPW-13209-B	0607D	FM-GPW-14402-B	0606B
CAR-122-47S	0301	FM-GPW-13210-B	0607D	FM-GPW-14406	0606B
FM-GPW-12250-A	0606D	FM-GPW-13216	0607D	FM-GPWS-14407	0606B
FM-GPW-12250-B	0606D	FM-GPW-13217	0607D	FM-GPW-14409	0606B
FM-GPW-12250-C	0606D	FM-GPW-13380-A	2203A		0609B
FM-GPW-12250-E	0606D	FM-GP-13404-B	0608	FM-GPW-14416	0606B
CAR-12-255	0301	FM-GP-13405-B	0608	FM-GPW-14425	0606B
CAR-122-64S	0301	FM-GPW-13408-B	0608	FM-GPW-14425-B	0606B
FM-GPW-12267	0603	FM-GPW-13410	0608	FM-GPW-14431	0610B
FM-GPW-12283	0604A			FM-GPW-14432	0606B
FM-GPW-12284	0604A	FM-GPW-13434-A	0606B	FM-GPW-14436	0607
FM-GPW-12286	0604A		1811D	FM-GPW-14446	0606B
FM-GPW-12287	0604A	SP-13439	1402	FM-GPWS-14447	0610B-1
FM-GPW-12298-B	0604A	FM-GP-13448-B	0608	FM-GPW-14448	0606E
FM-GPW-12300	0603	SP-13449	1003	FM-GPW-14448-B	0606E
FM-GPW-12405	0604B		1104	FM-GPW-14448-C	0606E
FM-GPW-B-12410	0107A	FM-GP-13449-A	0608	FM-GPW-14448-D	0606E
AL-12X-544	0601	FM-GPA-13462	0607B	FM-GPA-14450-C	0610B-1
WO-A-12721	1820	FM-B-13466	0607B	FM-GPA-14451-C	0610B-1
WO-A-12750	1811D-1	FM-GPA-13466	0607B	FM-GPW-14456	0606B
WO-A-12751	1811D-1	FM-GPA-13485	0607A	FM-GPW-14457	0606B
WO-A-12752	1811D-1	FM-GP-13485-A	0607A	FM-GPW-14458	0606B
WO-A-12753	1811D-1	FM-GPA-13491	0607A	FM-GPW-14459	0606B
WO-A-12755	1811D-1	FM-GP-13491-A	0607A	FM-B-14463	0604A
WO-A-12756	1811	FM-GPA-13494	0607A	FM-GPW-14465	0606B
WO-A-12759	1811	FM-GP-13494-A	0607A	FM-B-14466	0604A
WO-A-12760	1811B	FM-GPW-13532	0606	FM-GPW-14487-A	0606B
WO-A-12761	1811	SP-13575	1003	FM-GPW-14487-B	0606B
WO-A-12863	1811D-1		1104	FM-GPW-14555	0610B-1
WO-A-12864	1811D	SP-A-1358-1	1003	FM-GPW-14560	0606B
WO-A-12865	1811D		1104	FM-GPW-14561	0606B
CAR-129-15	0301	FM-GPW-13704	0605C		2204
FM-GPW-13005	0607	FM-GPW-13710	0605C	FM-GPW-14566	0606B
FM-GPW-13005-A	0607	FM-GPW-13713	0605C	FM-GPW-14585	0304
FM-GPW-13006	0607	FM-GTB-13739	0606	FM-GPW-14589	0605B
FM-GPW-13006-A	0607	FM-GPW-13740	0606	CAR-146-95S	0301
FM-GPA-13007	0607A	FM-GPA-13802	0609	TP-14SV89-A-7	1402
FM-GPW-13007	0607A	FM-GPW-13802	0609	TP-14SV99-A-7	1402
FM-GPW-13012	0607	FM-GPW-13831	0609	CAR-150-A-10	0301
FM-GPW-13015	0607	FM-GPW-13836	0609B	CAR-150-97	0301

PART NUMBER INDEX—MANUFACTURERS (Cont'd)

Number	Group	Number	Group	Number	Group
WO-A-15098	0603-1	SP-16991	1006	SP-17377	1102
CAR-150-98	0301	WP-17003	1006	WO-A-17401	0101
SP-15099	{1003 1104	SP-17004	{1301A 1301B	WO-17402	0101
WO-A-15137	1201-1	SP-17015	1301A	FM-GP-17500	1811D
WO-A-15149	1201-1	SP-17016	1301A	FM-GPW-17500	1811D
WO-A-15150	1201-1	SP-17019	1006	FM-GPW-17526	1811D
WO-A-15283	0103A	SP-17036	{1007 1102	FM-GP-17528	1811D
WO-A-15304	0607D	SP-17041	1006	FM-GP-17531	1811D
WO-A-15339	0601-2	SP-17047-X	1402	FM-GP-17535	1811D
SP-15367	{1003 1104	SP-17048-X	1006	FM-GP-17723-A	2202
WO-A-15427	0704	FM-GPW-17055	1804	FM-GPW-17750	2101
WO-A-15428	0704	SP-17071	1302	FM-GPW-17751	2101
WO-A-15485	0601-1	FM-GPW-17079	1804	FM-GPW-17752	1500
WO-A-15498	0401-1	SP-17121-X	1007	FM-GPW-17753	1500
WO-A-15507	0300	SP-17133-X	1006	FM-GPW-17754	1500
WO-A-15553	0602	SP-17135-X	1006	FM-GPW-17755	1500
WO-A-15596	0304	WO-A-17143	0606	FM-GPW-17759	1500
WO-A-15598	0304	SP-17146	1102	FM-GPW-17775	2101
WO-A-15728	1601A	SP-17153	1007	AL-IC-17980D	0604
WO-A-15801	1209B	SP-17202-X	1006	FM-GPW-18040	1500
WO-A-15802	1209B	SP-17205	1401	FM-GPW-18045	1603
WO-A-15803	1209B	SP-17211	1401	FM-GPW-18060	1603
WO-A-15804	0606D	SP-17212	1401	FM-GPW-18060-A	1603
SP-15926	{1003 1104	SP-17213	1401	FM-GPW-18075	1500
FM-GPW-16005	1701	SP-17214	1401	FM-GPW-18080	1603
FM-GPW-16006	1701	SP-17215	1401	SP-18-12-1	0805
SP-16067	1402	SP-17216	1007	SP-18-15-9	0801
SP-16075	{1003 1104	SP-17217	1007	SP-18-16-3	0801
FM-GPW-16082	1702	SP-17218	1007	SP-18-19-8	0801
FM-GPW-16083	1702	SP-17221	1006	SP-18-24-1	0803
FM-GPW-16094	1701	SP-17222	1006	SP-18-24-4	1201-1
FM-GPW-16095	1701	SP-17224	1007	FM-GPW-18274	{0601 0601-1
FM-GPW-16105	1701	SP-17226-X	1101	FM-GPW-18276	0610
FM-GPW-16128	1702	SP-17229	1007	FM-GPW-18288	0102
FM-GPW-16132	1701	SP-17230	1007	FM-GPW-18289	0109
FM-GPW-16133	1702	SP-17231	1007	FM-GPW-18298	0601B
FM-GPW-16159	1701	SP-17233	1007	FM-GPW-18299	0601B
SP-16383	{1003 1104	WO-A-17253	1201-1	FM-GPW-18311	0601B
SP-16385	{1003 1104	WO-A-17254	1201-1	FM-GPW-18314	0810
SP-16409	{1001 1101	FM-GPW-17255	2204	FM-GPW-18317	0800
SP-16412-X	{1003 1104	FM-GPW-17255-A	2204	FM-GPA-18319	0602-1
FM-GPW-16610	1704	FM-GPW-17260	2204	FM-GPW-18319	0602-1
FM-GPW-16684	1704	FM-GPW-17261	2204	CAR-183-19	0301
FM-GPW-16802	1704	FM-GPW-17261-A	2204	FM-GPW-18320	2306
FM-GTB-16847	1704	FM-GPW-17262	2204	FM-GPW-18322	2306
FM-GTB-16848-A	1704	FM-GPW-17271	0810	FM-GPW-18323	0108
SP-16866	1003	FM-GP-17277	0810	FM-GPW-18329	0602
FM-GPW-16892	{1704 1811	FM-GP-17285	0810	FM-GPW-18330-A	0104A
SP-16968-X	{1003 1104	SP-17301-X	1006	FM-GPW-18330-B	0104A
SP-16976	{1001 1101	SP-17302-X	1006	FM-GPW-18330-C	0104A
SP-16979	{1001 1101	SP-17307	1401	FM-GPW-18330-D	0104A
SP-16983	1003	SP-17308-X	1402	FM-GPW-18336	1007
		SP-17309-X	1402	FM-GPW-18337	0306B
		SP-17310-X	1001	FM-GPW-18338	1006
		WO-A-17317	0301C	FM-GPA-18342	0601-2
		WO-A-17318	0301C	FM-GPW-18342	0601
		FM-GPW-17333	0810	FM-GPW-18342-B	0601
		WO-A-17344	2203	FM-GPW-18343	0603
		SP-17347	1402	FM-GPW-18343-B	0603-1
		SP-17356-X	1007	FM-GPW-18347	0102A
		SP-17359	1007	FM-GPW-18348	0102A
		SP-17361	1007	FM-GPW-18349	0102A
				FM-GPW-18350	0102A

PART NUMBER INDEX—MANUFACTURERS (Cont'd)

Number	Group	Number	Group	Number	Group
FM-GPW-18352	0301	FM-GPW-18515-B	0503		0302A
FM-GPW-18354	0603	FM-GPW-18515-C	0503	FM-20366-S	0503
FM-GPW-18355	0800	BOW-BT-18520	1301A		0703
FM-GPW-18355-B	0800	TIM-18520	1301A		0706A
FM-GPW-18356	0701	FM-GPA-18535	0602-1	FM-20389-S	1500
FM-GPW-18356-B	0701	FM-GPW-18535	0602	FM-20406-S	1505
FM-GPW-18357	0301	BOW-BT-18590	1301A	SP-2058-1	1000
FM-GPW-18357-B	0301	TIM-18590	1301A	VC-2066C-C1	0604B
FM-GPW-18358	0201A	FM-GPW-18644-A	0107E	SP-K2-14-69	0902
FM-GPW-18359	0202	FM-GPW-18660	0107E	AL-21608	0605
FM-GPW-18359-B	0202	FM-GPW-18660-A	0107E	SP-K2-16-53	0902
FM-GPW-18360	0801	SP-18-66-1	0805A	FM-GPW-2206-A2	1207
FM-GPW-18361	0606B	FM-GPW-18662-A	0107E	FM-GP-2206-H2	1207
FM-GPW-18361-B	0606B	FM-GPW-18662-B	0107E	SP-K2-2-329	0902
FM-GPW-18361-D	0606B	FM-GPW-18663	0107A-1	SP-22-72-5	0805
FM-GPW-18363	0601	FM-GPW-18666	0107G	SP-K2-3-198X	0902
FM-GPW-18363-B	0601	FM-GPW-18667	0107J	FM-23395-S	1500
	0601-2	SP-18-66-7	0805A	SP-K2-4-108-X	1003
FM-GPW-18363-C	0601	SP-18-67-2	0805		1104
FM-GPW-18363-D	0601-1	FM-GPW-18675	0107E	FM-24308-S	0603
FM-GPW-18364	0604A	SP-18-67-5	0805	FM-24310-S	2201A
FM-GPW-18364-B	0604A	FM-GPW-18675-A	0107E	FM-24325-S	0202
FM-GPW-18365	1000	FM-GN-18679	0107G	FM-24327-S	0602-1
FM-GPW-18365-B	1000	FM-GPW-18685	0107E	FM-24328-S	0804
FM-GPW-18366	1100	FM-GPW-18685-A	0107E		0106D
FM-GPW-18366-B	1100	FM-9N-18686	0107J	FM-24348-S	0110
FM-GPW-18367	1202	FM-GPW-18687	0107E		0801
FM-GPW-18368	1207	FM-GPW-18687-A	0107E	FM-24369-S	0610B
FM-GPW-18370	1205	FM-GPW-18688	0107A-1	FM-24407-S	1804
FM-GPW-18370-B	1205	FM-GPW-18688-A	0107E	FM-24408-S	0505
FM-GPW-18371	1207	FM-GPW-18691	0107E		0800
FM-GPW-18372	1207	FM-GPW-18691-A	0107E	FM-24411-S	1502
FM-GPW-18373	0302	FM-GPW-18825-B	2603	FM-24426	0204
FM-GPW-18373-B	0302	FM-GPW-18840	2603		1204
FM-GPW-18373-C	0302	FM-GPW-18841	2603	FM-24428-S	0602
FM-GPW-18373-D	0302	FM-GPW-18846	0606B		0602-1
FM-GPW-18374	1403A		2603	FM-24489-S	0109C
FM-GPW-18375	0302	FM-GPW-18849	2603		0700
FM-GPA-18376	0602-1	FM-GPW-18850	2603	FM-24555-S	1403A
FM-GPW-18376	0602	FM-GPW-18852	2603	KHW-24562	1301
FM-GPW-18376-B	0602	FM-GPW-18853	2603		1302
FM-GPW-18377	1201	FM-GPW-18854	2603	KHW-24566	1302A
FM-GPW-18377-B	1201-1	FM-GPW-18857	2603		1302A
FM-GPW-18379	0107	FM-GPW-18858	2603	KHW-24568	1302A
FM-GPW-18380	0107	FM-GPW-18859	2603	KHW-24575	1302A
FM-GPW-18382	0609B	FM-GPW-18871	2603	KHW-24576	1302A
FM-GPW-18383	1401	FM-GPW-18872	2603	FM-24622-S	1007
	1003	FM-GPW-18873	2603	KHW-24659	1302
FM-GPW-18384	1104	FM-GPW-18874	2603	TIM-24721	1003
	1003	FM-GPW-18876	2603		1104
FM-GPW-18386	1104	FM-GPW-18876-B	2603	TIM-24780	1003
	0101	FM-GPWS-18935	0606		1104
FM-GPW-18387	0101	FM-GPW-18935-A	2603	KHW-25646	1302
FM-GPW-18387-B	0101	FM-GPW-18935-B	2603	KHW-25647	1302
	1003	FM-GPW-18936-A	2603	KHW-25692	1301
FM-GPW-18388	1104	FM-GPW-18937	2603	KHW-25693	1301
	1003	FM-GPW-18937-B	2603	KHW-25695	1301
FM-GPW-18389	1104	FM-GPW-18938-B	2603	KHW-25696	1301
	0101	FM-GPW-18960	2603	PU-25755	0107E
FM-GPW-18390	0101	FM-20046-S	1205	PU-25756	0107E
FM-GPW-18390-B	0101	WEB-20098	0606F	PU-25757	0107E
FM-GPW-18391	1007	WEB-20099	0606F	PU-25791	0107E
SP-18-39-2	0801	FM-20326-S	2101	PU-25802	0107E
FM-GPW-18397	0902	FM-20344	1704	KHW-25917	1301
FM-GPW-18512	0107A			KHW-25930	1301
FM-GPW-18515	0503				

PART NUMBER INDEX—MANUFACTURERS (Cont'd)

Number	Group	Number	Group	Number	Group
FM-26496-S	0606D		0102A		0106D
PU-26687	0107E		0110	WO-50163	1702
FM-27068-S	1802A	FM-34809-S	0607		1802
PU-27078	0107E		0809		2101
FM-27161-S	0601-2		1502	SP-50-39-2	1006
SP-K2-76-17	0902	FM-34811-S	1403A	SP-50-39-4	1001
TRU-SA-2844-1	0203	FM-34842-S	0601B		1101
DM-29392	0605C	FM-34886-S	1804A	WO-50769	1500
SP-K2-94-29	0902		0603	WO-A-50769	1500
AL-VRY-30700	0601B	FM-34902-S	0607D	SP-50-80-1	0805
FM-31079-S	0107		0609B	WO-50802	2003
	1003	FM-34906-S	0108		2103A
TIM-31520	1104	FM-34921-S	1403A	WO-50814	1804A
	1003		0606	WO-50878	0401
TIM-31593	1104	FM-34922-S	1003	WO-50917	0106C
	0603		1104		1702
FM-31583-S	0602	FM-35676-S	0503A	WO-50921	1802
FM-31596-S	0602-1	FM-35798-S	1601		1802A
	0301		1601B	WO-50922	2000
FM-31662-S	0606B	FM-GPW-3600-A3	1404		0401
FM-31866-S	0607	FM-36800-S	0601	WO-50929	0401-1
FM-32852-S	0601-2	FM-36825-S	2203A		1201
FM-GB-33415-A	1201	FM-37206-S	0607		1201-1
FM-33786-S2	1811	FM-38095-S	0607	WO-50937	0501C
FM-33795-S	2203A	NP-38373	1007	WO-50968	2000
FM-33796-S	1802A	NP-38491	1007	WO-50992	0204
	1804	NP-38492	1007	WO-51091	0101
FM-33797-S	2103	NP-38493	1007		1403A
	1602	SP-K3-86-89	0902	DM-51104	0604C
FM-33798-S	1802	BX-39953	1203		0606
FM-33799-S	1802A	BX-39956	1203	WO-51182	2103
	0401-1	KS-40333	2204	WO-51248	0601
FM-33800-S	0610B	KS-40350	2204		1701
	2101	KS-40355	2204	WO-51304	1804
FM-33802-S	1502	LK-S-40936	0106C		2103
FM-33909-S	0303	BX-41545	1203		2201A
	0102	BX-41665	1203	WO-51308	1405
FM-33929-S	0109	BX-41876	1203		1602
	1201-1	BX-41887	1207	WO-51371	1403A
FM-33979-S	0601-2	BX-44517	1202	AL-5X-1376	0602
FM-34039-S	0300	FM-B-45482-C	1811	WO-51391	2201A
FM-34129	0601-2	BX-45771	1203		0107E
	0602-1	BX-45908	1207		0609
FM-34141-S	1000	BX-46491	1207	WO-51396	1201
SP-SKA-34172	0301	BX-46667	1201-1		1201-1
FM-34711-S	0300	BX-47047	1200		1405
	1804	BX-47048	1104		1601B
FM-34745-S	1802	BX-47050	1104		1702
	2201A	BX-47051	1203	WO-51405	0602
FM-34753-S	0606F	BX-47054	1201-1		0800
FM-34802-S	0601-1	BX-47656	1201-1		1802A
	0601-1	BX-47660	1201-1	WO-51406	0602
FM-34803-S	0602-1	BX-47661	1201-1		1802A
	2203A	BX-47668	1201-1	WO-51460	0106A
FM-34805-S	0601-2	BX-47669	1201-1		0607
FM-34806-S	0602-1	BX-47670	1201-1		0801
	0801	BX-47674	1201-1	WO-51485	1505
	1201	BX-47675	1201-1		1800
FM-34807-S	1201-1	BX-47676	1201-1		1802A
	2101	BX-47677	1201-1		1811
	1502	BX-47678	1201-1	WO-51486	2103
		WO-50151	0610B		0108
			1500	WO-51492	1403A
					0606

PART NUMBER INDEX—MANUFACTURERS (Cont'd)

Number	Group	Number	Group	Number	Group
WO-51495	2201A		1802A		0603
WO-51514	{ 1704	WO-51840	1804		0506B
	{ 1811	(Cont'd)	{ 1811		0606E
	{ 0401	WO-51858	0503		0607
	{ 1001	WO-51875	{ 0101		1209C
	{ 1101		0105C		1704
WO-51523	{ 1205	WO-51904	1201	WO-52221	1800
	{ 1701		{ 1201-1	(Cont'd)	1804A
	{ 1802A	WO-51954	1802A		1809A
	{ 1804	WO-51969	{ 0107		1811D-1
	{ 0601		2202		1817
WO-51532	{ 0601-1	WO-51977	0300		2201A
	{ 0601B	WO-51986	2000		2204
WO-51537	0303		0501C	WO-52226	0505
WO-51539	1804	WO-52031	0606	WO-52236	{ 1802A
WO-51545	1802A		1704		{ 1817
WO-51546	0302		1804	WO-52274	{ 0401-1
WO-51561	1804		1817A		1205
WO-51575	0803	WO-52046	2000		{ 1802A
WO-51612	{ 1403A		2001	WO-52290	0301
	{ 1602	WO-52076	1704	WO-52330	{ 0102
WO-51658	0401	WO-52101	{ 1500		{ 0109
WO-51732	{ 0301C		1505	WO-52332	0606
	{ 0606		0303A	WO-52349	1502
WO-51738	1207	WO-52131	0601		{ 0607
	{ 0603		0604C	WO-52350	{ 1800
WO-51763	{ 1201		0606		{ 2201A
	{ 1201-1		0609B	WO-52372	0401
WO-51798	1205		0204	WO-52379	{ 0109C
WO-51804	0607B	WO-52132	0301C		{ 0700
WO-51819	0107		0401-1	WO-52428	0108
WO-51823	2101		0602	WO-52468	0501C
	{ 0107	WO-52142	1006	WO-52483	1207
	{ 0107A-1	WO-52161	1803	WO-52525	0107
	{ 0107E	WO-52165	0501C	WO-52527	2000
	{ 0110	WO-52167	0300		{ 0106D
	{ 0204		1704		0108
	{ 0300		1803		0109
	{ 0301C		0300		0109C
	{ 0302A	WO-52168	0501C		0110
	{ 0401		0503A		0301A
	{ 0401-1		1201	WO-52542	{ 0306B
	{ 0501		1704		0401
	{ 0503	WO-52170	1811		0601A
WO-51833	0601		0300		0700
	{ 0601A		1803		1203
	{ 0601B	WO-52182	1804		2000
	{ 0609		0609		2001
	{ 0610A	WO-52189	{ 0110		
	{ 0706A		0804	WO-52600	1701
	{ 0801		2201A	WO-52614	1809A
	{ 0904	WO-52207	1201	WO-52615	{ 0301
	{ 1201	WO-52213	1811D-1		{ 0601
	{ 1201-1		0300	WO-52651	1804A
	{ 1205		0501C		{ 0300
	{ 1405	WO-52217	1209C		0303
	{ 1601B		1704		0601
	{ 2101		1804		0601B
	{ 2103	WO-52220	1811	WO-52702	0603
	{ 2201A		2000		0604
	{ 0607		1809A		1704
WO-51840	1505	WO-52221	{ 0302		1804
	{ 1702		0601		1811
	{ 1800		0602		

PART NUMBER INDEX—MANUFACTURERS (Cont'd)

Number	Group	Number	Group	Number	Group
	0601		0505	WO-53061	0606F
WO-52705	0606D	WO-52911	0800	WO-53069	0606F
	0609	WO-52921	0606F	WO-53071	0607D
	1811	WO-52925	1201	WO-53084	2000
	0300		1403A	DM-53097-A	0606D
	0301C	WO-52940	1006	WO-53103	1704
	0303	WO-52941	1006	WO-53108	0107G
	0503A	WO-52942	1301A		0301C
	0601	WO-52943	1301A	WO-53131	0401
	0603	WO-52944	0204		0109
	0606	WO-52945	1500	WO-53135	1702
WO-52706	0608	WO-52946	1603		1802
	0609	DM-52947	0606		1802A
	1201	WO-52954	0303	CAR-53A-168S	0301
	1201-1		0609	DM-53170A	0604C
	1209C	WO-52960	0601	WO-53194	0606F
	1803		0602		2204
	1804	WO-52963	1811	WO-53195	0501C
	1811	WO-52968	1804A	WO-53204	1704
	2203A	WO-52983	0401	WO-53243	1811D
	0603	WO-52987	2201A	CAR-53A-251S	0301
WO-52754	0607D	WO-52990	1804A	WO-53266	1820
	0609B	WO-52993	0607	WO-53285	0401-1
	0303	WO-53013	2203	WO-53289	0401
WO-52768	0606B	WO-53014	2203	WO-53313	0606F
	0610A	WO-53020	1809A	WO-53355	2000
WO-52781	0601B	WO-53024	0604		2001
WO-52804	0102		0606F	WO-53356	2000
	0109		0601A		2001
WO-52809	1803	WO-53025	0602	WO-53379	1201-1
	1811D-1		1701	WO-53384	0301C
	0306B		1802A	DM-53414	0606
WO-52819	0601A		2103A	WO-53474	0607B
	1701		0602	DM-53875-A	0606
WO-52825	0104	WO-53026	1702	DM-53879	0606
WO-52832	1500		1802	DM-53895	0606
WO-52835	1205	WO-53027	1802A	FM-GPW-5588-A2	1601C
WO-52836	1205		0501	SP-5-74-11	0902
WO-52837	0607B		0607D	FM-60093-S	1500
WO-52839	1209C		0703	CB-60142	0608
WO-52840	1209C		1001	CB-60242	0608
WO-52845	1802A	WO-53029	1006	FM-GPW-6031-A3	0106D
WO-52847	0606F		1101	FM-60375-S	1804
WO-52857	1802A		1602	FM-60416-S	1500
WO-52863	1802		1701	FM-60446-S	1500
WO-52874	1403A		2003	FM-60470-S	2201A
WO-52876	1003	WO-53031	1817A	CAR-61-119	0301
	1104		1820	CAR-61-128	0301
WO-52877	1003	WO-53032	2000	CAR-61-143	0301
	1104		2001	CAR-61-169	0301
WO-52878	1003	WO-53033	0607D	CAR-61-171	0301
	1104		1817A	CAR-61-190	0301
WO-52879	1003		0401	CAR-61-207	0301
	1104	WO-53037	0601A	CAR-61-272	0301
WO-52880	1003		1820	SZE-61400	0609
	1102	WO-53038	2000	CAR-62-134	0301
WO-52881	1003		2001	CAR-62-135-S	0301
	1104	WO-53047	1820	BX-62-S-176	1207
WO-52883	0803		2103A	FM-62216-S	0706A
WO-52889	0606B	WO-53048	2103A	FM-62218-S	0300
WO-52891	0300	WO-53050	2103A	WO-63059	2101
WO-52893	1802A	WO-53056	1817A	FM-63071-S	1201
WO-52906	1500	WO-53057	1817A	WO-63511	0704C
WO-52909	0110	WO-53058	0501C	FM-63848-S	1811D

PART NUMBER INDEX—MANUFACTURERS (Cont'd)

Number	Group	Number	Group	Number	Group
FM-64647-S	1201	FM-95626-S	2201F	GM-106279	{0602
SP-6-74-11	{1201-1	FM-95627-S	2201A		0301C
	1203	FM-95628-S	2201F	GM-106280	1201-1
WO-71633	{1702	FM-95633-S	2201A	GM-106285	0610B
	1804	FM-95705-S	2201A	WO-106313	0601
FM-72004-S	{0204A	FM-97012-S	1201-1	GM-106324	0607
	1201-1				{0302A
FM-72008-S	{0303	FM-9N-8115	{0101	GM-106325	0703
	1201		0501		0706A
FM-72016-S	1205	FM-01Y-1202	0803	GM-106333	0401
FM-72017-S	1201	FM-01T-2616	1201	GM-106496	0606D
	{0203	FM-01T-2640	1201	WO-106740	0603
FM-72034-S	0601	FM-01T-2642	1201	GM-106972	1201-1
	1201	FM-01Y-4529	0902	WO-107128	0603
	1402	FM-01T-7078-A	0902	WO-108411	1601
FM-72035-S	{1601C	FM-01Y-7083	0902	WO-108515	0601
	1602	FM-01Y-7096	0902	WO-A-109173	0601
FM-72037-S	1603	RG-020122	1403A	WO-109427	0602
FM-72063-S	0204	RG-021116	1403A	WO-109428	0602
	{0107A-1	RG-026088	1404	WO-109431	0602
	0802	RG-028093	1403A	WO-109433	0602
FM-72089-S	0803	RG-029046	0609B	WO-109436	0602
	{0803	RG-029049	0609B	WO-109437	0602
	1007	RG-032075	1403A	WO-109442	0602
	1401	RG-032087	0609B	WO-109445	0602
FM-73869-S	1201-1	RG-033046	1403A	WO-109446	0602
FM-73880-S	0203	RG-033047	1403A	WO-109452	0602
FM-74121-S	{0101	RG-033048	1403A	WO-109455	0602
	1403A	RG-051035	0609B	WO-109455	0602
FM-74127-S	0106A	RG-063011	1403A	WEB-110110	0606F
FM-74144-S	0601	RG-063012	1403A	WEB-110242	0606F
FM-74175-S	0602	RG-063991	0609B	GM-110347	0902
FM-74178-S	{0102	RG-063996	1403A	WEB-110477	0606F
	0204	RG-092021	1403A	GM-110633	0606B
FM-74182-S	0106C	FM-GPW-10000-A3	0601	GM-112657	2103A
CAR-75-547	0301	GM-100013	{0609	WO-113439	0302
SP-7658-2	1000		1201-1	WO-113440	0302
ND-77503	0601	FM-100014	0401-1	WO-113460	0302
FM-GP-7798-A1	0805	GM-100133	0110	WO-113461	0302
WO-78316	1811	GM-100135	0602	GM-114493	{0303
WO-78932	0606B	CAR-101-121	0301		0609
TRI-80540	1811D	CAR-101-122	0301	GM-115273	0607B
AL-8X-1055	0601B	CAR-101-150S	0301	WO-115498	0105A
AL-8X-1368	0601	FM-GPW-102088	0601	WO-115641	0302
AL-8X-1420	0601	GM-102635	1500	WO-115643	0302
WG-T-84-115	0704C	WO-A-102866	2000	WO-115644	0302
WG-T-84J-167	0704C	WO-A-10295-1	0601-1	WO-115650	0302
WG-T-84J-2 1/2	0704			WO-115651	0302
WO-A-8463-1	1601	GM-103024	{0301C	WO-115652	0302
WO-A-8463-2	1601		0303	WO-115653	0302
WO-A-8463-3	1601		0606	WO-115654	0302
WO-A-8464-1	1601		{0204	WO-115656	0302
WO-A-8464-2	1601	GM-103025	0300	WO-115675	0302
WO-A-8464-3	1601		0501	FM-GPW-115720	2201A
FM-88022-S	0106D		1201-1	GM-115729	2103A
FM-88042-S	0108	GM-103319	0606	WO-115869	0302
FM-88082-S	0108	GM-103320	{0601-1	WO-115870	0302
FM-88141-S	0107		0610A	WO-115880	0302
HO-88541	0503	GM-103321	0601A	WO-115905	0301C
HI-88632	0503A		0610B	WO-115961	1205
FM-GPW-9030-B2	0300	GM-103374	0601	WO-115962	1207
FM-92047-S	{1201	GM-103905	0601	WO-115963	1207
	1201-1	GM-106262	{0602	WO-116003	0103B
WBK-92235	2208		0609	WO-116019	0103
HY-94322	0804	GM-106274	0609	WO-116020	0103

PART NUMBER INDEX—MANUFACTURERS (Cont'd)

Number	Group	Number	Group	Number	Group
WO-116021	0103	WO-116460	1601	CAR-117-106	0301
WO-116022	0103	WO-116502	0103A	GM-118613	0300
WO-116023	0103A	WO-116503	0103A	GM-118614	{0401
WO-116024	0103A	WO-116523	0102A		0601A
WO-116116	0103A	WO-116524	0102A	GM-118643	0300
WO-116117	0103A	WO-116525	0102A	GM-118772	2103A
WO-116154	0301	WO-116526	0102A	GM-119034	0401
WO-116159	0301	WO-116527	0102A	FM-11A-9352	0302
WO-116160	0301	WO-116528	0102A	FM-11A-9361	0302
WO-116161	0301	WO-116529	0102A	GM-119860	0300
WO-116162	0301	WO-116530	0102A	AC-119922	0304
WO-116163	0301	WO-116531	0102A	CAR-120-151S	0301
WO-116164	0301	WO-116532	0102A	GM-120214	0601A
WO-116165	0301	WO-116533	0102A	GM-120217	{0601-2
WO-116166	0301	WO-116534	0104A		0606B
WO-116168	0301	WO-116535	0104A	GM-120364	0606F
WO-116169	0301	WO-116536	0104A	GM-120367	0606F
WO-116170	0301	WO-116537	0301	GM-120388	0601A
WO-116171	0301	WO-116538	0301	GM-120614	0606F
WO-116172	0301	WO-116539	0301	AL-12X-1014	0601B
WO-116173	0301	WO-116540	0301	GM-121668	{1201
WO-116174	0301	WO-116541	0301		6300
WO-116175	0301	WO-116542	0301	GM-122122	1817A
WO-116176	0301	WO-116544	0301	GM-123228	0607D
WO-116177	0301	WO-116545	0301	GM-123450	0606F
WO-116178	0301	WO-116549	1202	GM-123499	0401
WO-116179	0301	WO-116550	1202	GM-124542	0106C
WO-116180	0301	WO-116551	1202	GM-124549	0102
WO-116181	0301	WO-116552	{0102A	GM-125760	0607D
WO-116183	0301		1202	RG-T-126000	1403A
WO-116184	0301	WO-116584	0301	AC-127951	0306B
WO-116185	0301	WO-116585	0301	RG-T-129001	1403A
WO-116186	0301	WO-116586	0301	GM-131282	0607B
WO-116187	0301	WO-116587	0301	FM-GPW-13434-A2	2204
WO-116188	0301	WO-116588	0301	SP-13-463-1	0805
WO-116189	0301	WO-116589	1601A	MLL-134739	2603
WO-116191	0301	WO-116600	1202	WBK-136157	2208
WO-116194	0301	WO-116609	1601	GM-138485	2003
WO-116195	0301	WO-116610	1601A	GM-138534	0606F
WO-116197	0301	WO-116616	0103A	GM-139091	2001
WO-116198	0301	WO-116624	1603	GM-142303	0607B
WO-116199	0301	WO-116625	1603	GM-142450	0607B
WO-116202	0301	WO-116626	1603	GM-147510	0300
WO-116203	0301	WO-116627	1603	WO-A-15728-1	1601A
WO-116204	0301	WO-116628	1603	WO-A-15728-2	1601A
WO-116205	0301	WO-116629	1603	WO-A-15728-3	1601A
WO-116206	0301	WO-116630	1603	AC-159235	0306B
WO-116207	0301	WO-116631	1603	SP-16323-2	{1003
WO-116208	0301	WO-116632	1603		1104
WO-116209	0301	WO-116633	1603	SP-16992-1	1006
WO-116210	0301	WO-116634	1603	SP-16992-2	{1003
WO-116211	0301	WO-116635	1603		1006
WO-116213	0301	WO-116636	1603	SP-16992-3	1006
WO-116214	0301	WO-116637	1603	SP-16992-4	1006
WO-116215	0301	WO-116638	1603	SP-17122-3	1007
WO-116216	0301	WO-116644	1603	SP-17122-4	1007
WO-116217	0301	WO-116694	0302	SP-17128-2X	1007
WO-116219	0301	WO-116701	{0102A	SP-17128-3X	1007
WO-116295	{0102		0103	SP-17144-3	1102
	0109	WO-116711	1601	SP-17144-4	1102
WO-116384	0301	WO-116712	1201-1	SP-17155-1	1007
WO-116385	0301	WO-116714	0803	SP-17155-2	1007
WO-116458	1601	WO-116716	1601A	SP-17295-1	1402
WO-116459	1601A	WO-116995	0302	SP-17295-2	1402

PART NUMBER INDEX—MANUFACTURERS (Cont'd)

Number	Group	Number	Group	Number	Group
SP-17360-1	1007	FM-20325-S7	0609	FM-24409-S7	0109C
GM-174916	0606F		0607		0601A
GM-178378	0602	FM-20326-S2	1800A		0700
GM-178532	0601A		1802A	FM-24426-S2	0601A
GM-178551	0602		2201A		0601
	1802A	FM-20326-S7	0801		0601B
FM-GPW-180205-B	0301C		1505	FM-24427-S7	0602
SP-18-155-2	0801	FM-20328-S2	2201A		0106
SP-18-187-1	0804	FM-20344-S2	1803		1201-1
SP-18-19-28	0801	FM-20346-S2	1802A	FM-24449-S2	0401
SP-18-223-2	0801		1804		1701
SP-18-223-6	1201-1	FM-20347-S2	1702	FM-24505-S7	0204
SP-18-228-7	0801	FM-20348-S2	1817A		0300
SP-18-228-8	0801		0106D	FM-24622-S2	1007
SP-18-228-9	0801	FM-20349-S2	1702	FM-24650-S2	2201A
SP-18-267-4	0801		1802	FM-24916-S2	1402
SP-18-324-2	0801	FM-20364-S7	0606F	SP-25-Q-1055	0805B
SP-18-352-5	0801	FM-20367-S2	1201-1	SP-25-Q-1056	0805B
SP-18-362-3	0803	FM-20384-S2	1209C	GM-263549	0609B
SP-18-381-2	0803	FM-20386-S7	0108	FM-26451-S7	0603-1
WG-T-184H-137	0704		1403A	FM-26456-S7	0606
WG-1AT-84J-2½	0704	FM-20387-S7	2103A		0601
SP-18-452-2	0810	FM-20407-S7	0401	FM-26456-S7	0601-1
SP-18-453-3	0810	FM-20467-S2	0401		0604C
SP-18-466-1	0803	FM-20514-S2	1802A		0609B
WBK-185902	2208	MLL-A-205244	2603	FM-26466-S7	0302
WBK-185903	2208	FM-2GAS-10005-A	0601-2	FM-26483-S7	0606
WBK-185906	2208	FM-2GAS-10117	0601-2	FM-27145-S2	1209C
WBK-185907	2208	FM-2GAS-10206	0601-2	FM-27161-S7	0601
WBK-185911	2208	MRC-D2-13567	0503		0601-1
WBK-185912	2208		1405	FM-27177-S7	0602-1
WBK-185913	2208	FM-21492-S2	1602	FM-28378-S2	0607D
WBK-185914	2208		0607	WO-300143	0108
WBK-185919	2208	CB-215142	0607	WO-300329	0610A
WBK-185920	2208	FM-23392-S2	0401	WO-301232	0301
WBK-185921	2208	FM-23454-S8	0601-2	WO-301435	0604A
WBK-185923	2208	FM-23498-S2	0401	WO-302347	0601
WBK-185927	2208	FM-23908-S2	1820	WO-303922	1500
WBK-185928	2208		0300	WO-307556	0604A
WBK-185929	2208	FM-24308-S2	1201-1	FM-31026-S7	0603-1
WBK-185934	2208		1803	FM-31027-S7	0603-1
WBK-185944	2208		0110	FM-31027-S8	0603
WBK-185962	2208	FM-24327-S7	0203	FM-31032-S7	0301
WBK-185966	2208		0301C	FM-31037-S7	0301
WBK-185993	2208		0401-1		0601B
WBK-186007	2208	FM-24328-S2	0110	FM-31045-S2	0607D
WBK-186019	2208		0107E	FM-31045-S7	0606
WBK-186033	2208		0401	FM-31053-S7	0601B
WBK-186058	2208		0609	FM-31061-S7	0601-1
	0401	FM-24347-S2	1201	FM-31061-S8	0301
FM-20046-S2	1101		1405	WO-311003	1201-1
	1701		1601B	SP-31-246-2	0804
FM-20300-S7	1207	FM-24347-S7	2103A	WO-314338	0101
FM-20308-S2	1201	FM-24349-S2	2101		0107A
	1804		0401-1	WO-314369	0604A
FM-20308-S7	1704	FM-24367-S2	1201	FM-31578-S8	0601-2
	1811		1201		0301
FM-20309-S7	0301C	FM-24367-S7	1201	FM-31588-S7	0601
	0606		0110		0603
	0300	FM-24387-S7	0401-1	WO-315932	0106C
	0503A		0602	FM-31628-S7	0302
FM-20324-S2	1201	FM-24388-S7	0800	FM-32475-S2	1704
	1704		0106D	WO-327257	0604A
	1811	FM-24389-S2	0306B		

PART NUMBER INDEX—MANUFACTURERS (Cont'd)

Number	Group	Number	Group	Number	Group
FM-32866-S2	{0606B 1803		{0100 0106D	FM-34703-S7	{0601 0603-1
FM-32924-S7	1803		0108	FM-34703-S8	0601-2
FM-32989-S2	1804A		0109	FM-34705-S2	{0601 1704
WO-330964	0107	FM-33800-S7	{0301A 0306B		{0401 0601B
FM-33184-S2	1811B		0700	FM-34706-S2	0602
FM-33249-S2	1811		1203		1201B
WO-332515	0401		1402		0602
WO-334103	{0101 0102	FM-33801-S2	0204A	FM-34706-S7	0609
WO-335912	0610B	FM-33802-S2	{1205 1403A		{2103 0601-2
WO-336155	0107	FM-33845-S2	1502	FM-34706-S8	1701
WO-337112	0102A		{0110 0607	FM-34707-S2	1820
WO-337304	0303	FM-33846-S2	1203	FM-34707-S7	0306B
FM-33784-S2	0902		0607		0601A
	{1006 1201-1	FM-33896-S2	0610A	FM-34708-S7	0501
FM-33786-S2	1203		1802A	FM-34711-S7	0301
FM-33792-S2	1820		1804		0202
	{0300 1209C	FM-33897-S2	0610A		0301C
FM-33795-S2	1704	WO-339043	0203		0303
	1804	FM-33909-S7	0609	FM-34745-S2	0603
	1811	FM-33911-S2	1006		0604
	0606F	FM-33921-S7	0202		1704
FM-33795-S7	0608	FM-33923-S8	0601-2		1811
	1201	FM-33927-S7	{1201 1403A	FM-34746-S2	1205
	{0301C 0303	FM-33929-S2	0109		1802A
FM-33796-S2	0606	WO-339372	1602		0107E
	{0401 0601A	FM-34032-S7	0601	FM-34746-S7	0401
	0607	FM-34051-S7	{0301 0601		0601B
FM-33797-S2	1800A		0606D		1201
	1811	FM-34052-S2	0609	FM-34747-S2	1201-1
	2201A	FM-34054-S2	1811D		1500
FM-33797-S7	1500		2202	FM-34747-S7	0110
	{0204 1201-1	FM-34079-S7	0603-1		0610B
FM-33798-S2	1205		0606-F		1500
	1601A	FM-34079-S8	0601-2	FM-34801-S7	0601
	2101	FM-34084-S7	0501		0603
	0107	FM-34130-S2	1701		0603-1
	0110		2103		1809A
	0203	FM-34141-S2	0601	FM-34802-S2	0301
	0204		0601B-1		0601
	0300		0602		0606D
	0301C		1209C		0609
	0401	FM-34141-S7	0601	FM-34802-S7	1811
	0501		0601-1		0601
FM-33798-S7	0601	FM-34176-S2	1701		0601-1
	0601A	WO-343306	1811	FM-34803-S2	0601
	0602-1	WO-344732	0107		1804A
	0607D		0108		1809A
	1201	WO-345961	0107E		1817
	1405		0606B		2204
	2103A		1811D		0302
	2603	FM-34701-S7	2204		0601
	0607D		0603		0601-2
FM-33799-S2	1802A		0603-1	FM-34803-S7	0602
	1804		0603		0602-1
	1817A	FM-34702-S2	0603-1		0603
FM-33800-S2	1500		1201		0603-1
		FM-34702-S7	1804		0606B
			0601B		0606E
					0607
					1209C

PART NUMBER INDEX—MANUFACTURERS (Cont'd)

Number	Group	Number	Group	Number	Group
	1704		1205	FM-352103-S	1500
FM-34803-S7	1800A		1405	FM-352104-S	1500
(Cont'd)	2201A	FM-34806-S7	1702	FM-GPW-352126-S	1500
FM-34803-S8	0601-2	(Cont'd)	2103A	FM-352127-S	1500
	0107	FM-34806-S8	0601-2	FM-353051-S	1001
FM-34804-S2	2202		0103B		1101
	0300		0106D	FM-353053-S	0801
	0301		0109C		0101
	0301C		0110	FM-353055-S	0108
	0303		0306A		0306B
	0503A		0401		0701
	0601		0505	FM-353064-S	0801
	0603		0601A		1006
	0606		0601A-1	FM-353075-S	0805
	0608		0601B	FM-353081-S	0706B
FM-34805-S2	0609		0602	FM-353104-S	2201A
	1201		0607D	FM-353202-S	1802A
	1201-1		0700	FM-355131-S	0606B
	1209C	FM-34807-S2	0800		0606E
	1704		0804	FM-355157-S	0601-2
	1803		1006	FM-355160-S	0606E
	1804		1007	FM-355164-S	0602
	1811		1102		0602-1
FM-34805-S8	0606F		1203	FM-355253-S	0301C
	0204		1402	FM-355262-S	0107
	0601		1500	FM-355378-S	0805B
	0601-2		1701	FM-355396-S	0107A-1
	0601B		1802	FM-355426-S	1403A
	0607		1802A	FM-355444-S	1205
	0610A		1804	FM-355451-S	0105C
	1505		1817A	FM-355452-S	0105C
FM-34806-S2	1601B		2201A	FM-355456-S	2101
	1800A	FM-34808-S2	0204A	FM-355476-S	0202
	1802A		1820	FM-355496-S	0601A-1
	1804	FM-348148-S	2201A	FM-355497-S	0103B
	1811	FM-34824-S2	1811D		0109
	1820		1403	FM-355499-S	0106C
	2101	FM-34836-S7	1403A	FM-355511-S	1003
	2103		0601B		1104
	2201A	FM-34842-S7	1602	FM-355526-S	1006
	0107	FM-34848-S2	0606F	FM-355533-S	0801
	0107A-1	FM-34903-S2	1207	FM-355550-S	0805A
	0107E	FM-34905-S2	0109	FM-355551-S	1201
	0110	FM-34907-S7	1802A	FM-355552-S	1006
	0204		0102	FM-355554-S	0801
	0300	FM-34909-S2	0109	FM-355571-S	0105A
	0301C	WO-349368	0101A	FM-355578-S	1203
	0302A		0607D	FM-355597-S	0700
	0401		0703	FM-355698-S	0805
	0401-1	FM-34941-S7	1001	FM-355699-S	1003
	0501		1006		1104
FM-34806-S7	0503		1101	FM-355741-S	0809
	0601	WO-349712	1602	FM-355858-S	0301
	0601-1		0108	FM-355872-S	1201-1
	0601A	FM-350280-S	0801	FM-355883-S	0601
	0602	FM-350281-S	0801	FM-355982-S	0401-1
	0602-1	FM-350282-S	0801	FM-356016-S	1802A
	0609	FM-350311-S	1201-1	FM-356021-S	0104
	0610A	FM-351015-S	1802A	FM-356028-S	0104
	0706A	LK-S-35116-1	0106C	FM-356124-S	1401
	0801	FM-351915-S	1201-1	FM-356125-S	0803
	0902		1202		1003
	1201	FM-351926-S	0201A	FM-356126-S	1007
	1201-1	FM-352101-S	1500		1104

PART NUMBER INDEX—MANUFACTURERS (Cont'd)

Number	Group	Number	Group	Number	Group
FM-356205-S	0801	WO-375927	{0101	FM-62627-S3	2103
FM-356286-S	1811		{0107	WO-630068	0203
FM-356299-S	0606E	WO-375981	0107	WO-630101	{0109C
FM-356303-S	1403A	WO-375994	0105		{0700
	{0303	FM-37621-S7	1809A	WO-630112	0203
FM-356305-S	0606B	FM-37622-S7	0606	WO-630117	0203
	{0610A	WO-380197	0107	WO-630129	0202
FM-356361-S	1811	WO-381519	0102A	WO-630262	0102
FM-356403-S	1201-1	FM-38192-S2	1811	WO-630294	0102A
FM-356436-S	{0601	FM-38259-S2	1811	WO-630298	0107JW
	{0601A	WO-384228	1602		{0101
FM-356439-S	1403A	WO-384549	{0107N	WO-630299	{0107
	{0803		{0304		{0107N
FM-356504	1003	WO-384568	1811D-1	WO-630303	0105C
	{1007	WO-384569	0107J	WO-630305	{0101
FM-356504-S	1104	WO-384710	1209C		{0105C
FM-356519-S	0802	WO-384958	0106D	WO-630359	0106D
FM-356524-S	0809	WO-387249	0304	WO-630364	0106
FM-356561-S	0204	WO-387633	0102	WO-630365	{0101
FM-357008-S	1500	WO-387891	{0107J		{0106D
FM-357074-S	1500		{1811D-1	WO-630384	0107
FM-357076-S	1500	FM-38846-S2	0809	WO-630387	0107
FM-367100-S	1500	WO-390510	1403A	WO-630389	0107
	{1003	WO-392328	0706A	WO-630390	0107
FM-357202-S	1104	WO-392468	1201	WO-630392	{0101
	{0704C	WO-393594	0604A		{0107
FM-357417-S	0706A	RG-400025	1403A	WO-630394	0101
FM-357418-S	0102A	RG-401090	1403A		{0107
FM-357420-S	1006	RG-401100	1403A	WO-630396	0107A-1
FM-357703-S	1802A	RG-401107	0609B	WO-630397	0107A-1
FM-358019-S	0107E	FM-40631-S7	0607D		{0101
FM-358040-S	{1001	CB-415342	0607D	WO-630398	{0107
	{1101	CB-415442	0607D		{0107A
FM-358048-S	0101	RG-450054	0609B		{0107A-1
	{1403A	WO-452702	0301C	WO-630512	0505
FM-358064-S	1007	USL-461389	0301C	WO-630518	0107
FM-358074-S	{1601	RG-502282	1405	WO-630526	0401
	{1601A	RG-502540	1403A	WO-630593	0204
WO-359039	0601	RG-503284	1403A	WO-630727	0106C
FM-36009-S7	1811	RG-503308	1403A	WO-630753	1401
FM-36046-S2	0603	WBK-503628	2208	WO-630754	1401
FM-36787-S7	0601-1	BUE-505275	1820	WO-630755	1401
FM-36800-S7	1820	BUE-505282	1820	WO-630756	1401
FM-36801-S2	2202	BUE-505284	1820	WO-630757	1401
FM-36845-S2	1804	BUE-505285	1820	WO-631105	0604
FM-36868-S2	0608	BUE-505287	1820	WO-632156	0109
FM-36931-S2	{0601B-1	BUE-505288	1820	WO-632157	{0103B
	{0602	FM-51-3287	1402		{0109
FM-36954-S7	0610B	WBK-520610	2208	WO-632158	0105C
WO-371400	0201A	WBK-521671	2208		{0108
WO-371567	0303A	WBK-522645	2208	WO-632159	{0301A
WO-372438	0610B	FM-B55836-S7	2204	WO-632174	0303
WO-372658	1202	FM-60332-S2	1809	WO-632177	0203
WO-374586	{0201	FM-60-8287	0505	WO-633011	0303
	{0201A	OKS-613300	0301C	WO-633013	0303
WO-374681	0105	OKS-613306	0301C	WO-633949	0601A
WO-375811	0102	OKS-613313	0301C	FM-63397-S8	0601-2
WO-375877	0106	OKS-613314	0301C	FM-63407-S7	0601-2
WO-375900	0106	OKS-613380	0301C	WO-634432	1602
WO-375907	0106	OKS-613387	0301C	WO-634758	0809
WO-375908	0106	OKS-613455	0301C	WO-634759	0809
WO-375910	0105A	FM-62323-S2	1820	WO-634762	0809
WO-375917	0106D	SP-62-463-2	0803	WO-634796	0102
WO-375920	0102A				

PART NUMBER INDEX—MANUFACTURERS (Cont'd)

Number	Group	Number	Group	Number	Group
WO-634811	0101	WO-636566	1003	WO-637541	1207
	0108		1104	WO-637544	1207
WO-634813	0101	WO-636568	1003	WO-637545	1207
	0107		1104	WO-637546	1207
	0101		1003	WO-637577	1207
WO-634814	0108	WO-636569	1007	WO-637579	1207
	0401		1104	WO-637580	1207
WO-634850	0106C		0803	WO-637582	1205
WO-635097	0301C	WO-636570	1003	WO-637583	1205
WO-635377	0102A		1007	WO-637584	1205
WO-635394	0109B		1104	WO-637585	1205
WO-635529	0203	WO-636571	1003	WO-637586	1205
WO-635532	1602		1104	WO-637587	1205
WO-635681	1201		1201	WO-637590	1205
	1201-1		1201-1	WO-637591	1205
WO-635804	0704C	WO-636575	1203	WO-637595	1205
WO-635812	0704C		1003	WO-637596	1205
WO-635820	0704		1006	WO-637597	1205
WO-635836	0706C	WO-636577	1001	WO-637598	1205
WO-635837	0706B		1101	WO-637599	1205
WO-635838	0706B	WO-636599	0107	WO-637602	1205
	2001	WO-636600	0107	WO-637604	1205
WO-635839	0706A	WO-636755	0201	WO-637605	1205
WO-635840	0706A	WO-636778	0201A	WO-637606	1205
WO-635844	0703	WO-636796	0107A-1	WO-637608	1205
WO-635846	0703	WO-636879	0704	WO-637612	1205
WO-635857	0706A	WO-636882	0704C	WO-637615	0603
WO-635859	0706A	WO-636885	0703	WO-637636	0107
WO-635860	0706A	WO-636954	0103	WO-637646	0502
WO-635861	0701	WO-636961	0103B	WO-637704	0105
	0706A	WO-636962	0104	WO-637724	0102A
WO-635862	0701	WO-637007	0102A	WO-637725	0102A
	0706A	WO-637008	0102A	WO-637789	1207
WO-635863	0706A	WO-637020	0104	WO-637790	0102A
WO-635883	0610B	WO-637041	0102A	WO-637803	1603
WO-635886	0604		0103	WO-637804	1603
WO-635895	0606B	WO-637042	0103A	WO-637810	1603
WO-635981	0606B	WO-637044	0105	WO-637831	0704
WO-636004	0401	WO-637045	0105	WO-637832	0704
	0401-1	WO-637047	0105A	WO-637833	0704
WO-636109	0505	WO-637048	0105A	WO-637834	0704
WO-636196	0706C	WO-637052	0503	WO-637835	0704
WO-636197	0706C	WO-637053	0101	WO-637863	0101
WO-636200	0706C		0503		0604B
WO-636297	0503	WO-637065	0106	WO-637899	1203
WO-636298	0503	WO-637098	0102A	WO-637900	1203
WO-636299	0503A	WO-637182	0105	WO-637901	1203
		WO-637183	0105	WO-637905	1203
WO-636360	1003	WO-637206	0108C	WO-637923	1203
	1104	WO-637208	0108C	WO-637936	1603
WO-636396	0810	WO-637209	0108C	WO-638058	0401
WO-636438	0108C	WO-637210	0108C		0401-1
WO-636439	0108C	WO-637211	0108C	WO-638113	0102
WO-636527	1003			WO-638121	0102
	1102	WO-637237	0101	WO-638151	0202
	0606		0102A	WO-638152	0202
WO-636528	1003	WO-637424	1209B	WO-638153	0202
	1102	WO-637425	0107	WO-638154	0202
		WO-637426	1209B	WO-638155	0202
WO-636538	1001	WO-637427	1209C	WO-638157	0202
	1101	WO-637432	1209C	WO-638158	0202
	1000	WO-637439	1209C	WO-638159	0202
WO-636565	1003	WO-637495	0701	WO-638224	0805B
	1100	WO-637503	0706B	WO-638305	0202
	1104	WO-637540	1207		

PART NUMBER INDEX—MANUFACTURERS (Cont'd)

Number	Group	Number	Group	Number	Group
WO-638343	1603	WO-639244	1201	SP-6-73-122	1201-1
WO-638381	1403A		1201-1	SP-6-73-124	1102
WO-638457	0106C	WO-639265	1000	SP-6-73-218	1201
WO-638458	0106C		1003	SP-6-73-326	1402
WO-638459	0106C		1100	SP-6-73-414	1003
WO-638500	1602		1104		1104
WO-638513	0102	WO-639422	0703	SP-6-75-101	1006
	2000	WO-639423	0703	FM-72003-S7	0607
WO-638539	0101A	WO-639555	0107G	FM-72798-S7	0602
WO-638635	0101A	WO-639578	0205	FM-72867-S7	0603
WO-638636	0105	WO-639599	0606E		0603-1
WO-638640	0101	WO-639607	0303	FM-73889-S7	1201
	0108	WO-639610	0303	FM-73904-S7	1201
WO-638646	0602	WO-639650	0101	FM-73928-S7	1201
WO-638678	0101A		0505	FM-74175-S7	0601-2
WO-638730	0102A	WO-639651	0502	FM-74-6038	0809
WO-638731	0102A	WO-639654	0203	FM-74-6038-A	0809
WO-638732	0102A	WO-639663	0503	FM-74-7580-B	0203
WO-638733	0102A	WO-639718	1403A	FM-78-2814-A	1209C
WO-638737	0302	WO-639734	0602	FM-78-3332-A	1402
	0302A	WO-639743	0108C	FM-78-3336	1402
WO-638780	0101	WO-639858	0104	AL-8X-01546	0603
	1201	WO-639859	0104	FM-G8T-11649	0606
WO-638792	0204	WO-639862	0104A	FM-G8T-11654	0606
	0902	WO-639864	0103A	FM-G8T-11661	0606
WO-638798	2001	WO-639870	0101	FM-G8T-11670	0606
	0704	WO-639979	0107	RG-8287-32	0609B
WO-638809	0107A		AC-838263	0302A	
WO-638884	1500	WO-639980	0101	WG-T-84J-50-1/2A	0802
WO-638885	0609B	WO-639992	0107A	AC-846709	0501
	0609		0503	AC-846732	0501
WO-638918	0609B	WO-639993	0503	AC-850042	0300
	1403A	WO-639999	0104	AC-853558	0306B
WO-638948	1405	WO-640000	0104	AC-853562	0306B
	0704C	WO-640006	0704	AC-853572	0306B
WO-638949	0704	WO-640017	0703	AC-853634	0306B
WO-638952	0704C	WO-640018	0703	AC-854005	0302
WO-638979	0606		0701	AC-855493	0302
WO-638992	0202	WO-640019	0105A	AC-855763	0302
WO-638993	0202	WO-640020	0105A	FM-86H-4616	1003
WO-639010	1201	WO-640030	0107A		1104
	1201-1	WO-640031	0503	FM-86H-4621	1003
WO-639051	0106A	WO-640032	0503	FM-88032-S7	0401
WO-639052	0105C	WO-640033	0503	FM-88057-S7	0108
WO-639090	1403A	WO-640034	0503		0301A
WO-639091	1403A	WO-640038	1204	FM-88350-S7	0303
WO-639095	1403A		1401	ND-885141	0503
WO-639102	1403A		1602	FM-9N-11450-A	0606
WO-639103	1403A		2001	FM-91A-2027	1203
WO-639104	1403A	WO-640070	0104	FM-91A-2030	1203
WO-639107	1403A	WO-640071	0104	FM-9N-12113-A	0604A
WO-639108	1403A	WO-640072	0104	FM-91A-2151	1205
WO-639109	1403A	WO-640102	1201-1	FM-91A-2152	1205
WO-639110	1403A	WO-640527	1811D-1	FM-91A-2201	1207
WO-639115	1403A	WO-650482	0303	FM-99A-5090	1500
WO-639116	1403A	WO-650483	0303	FM-01A-10193	0601
WO-639119	1403A	WO-651298	0303	FM-01A-12410	0101
WO-639121	1403A	WO-654934	1804		0604B
WO-639190	1403A	WO-662010	1802A	LK-S-035117-1	0106C
WO-639191	1403A	WO-662276	0606B	FM-09B-14362	0606F
WO-639192	1403A	WO-662420	0605	FM-GPW-1000000	1800
WO-639237	0102A	WO-663365	1811D-1	GM-1032026	0610B
WO-639238	0102A	WO-663366	1811D-1	FM-GPW-1100001	1800
WO-639239	0102A	WO-663369	1811D	FM-GPW-1101610	1809
WO-639240	0102A				

PART NUMBER INDEX—MANUFACTURERS (Cont'd)

Number	Group	Number	Group	Number	Group
FM-GPW-1101621-A	2203	FM-GPW-1111286-A	1803	FM-GPW-1154810	2201A
FM-GPW-1101627-A	2203	FM-GPW-1111299-A	1803A	FM-GPW-1154810-A	1800A
FM-GPW-1101629-A	2203	FM-GPW-1111322	0300	FM-GPW-1160016-B	1804A
FM-GPW-1101670	1809	FM-GPW-1111323	0300	FM-GPW-1160026	1804A
FM-GPW-1101698-A	1803	FM-GPW-1111330	1803	FM-GPW-1160314	1804
FM-GPW-1101735-A	0805B 1803	FM-GPW-1111331	1803	FM-GPW-1160326	1804
FM-GPW-1102105	1802A	FM-GPW-1111520-A	1803	FM-GPW-1160327-B	1804
FM-GPW-1102038	1802A	FM-GPW-1112110	1803	FM-GPW-1160780	1804A
FM-GPW-1102039	1802A	FM-GPW-1112115	1803	FM-GPW-1161300	1804
FM-GPW-1102130	1802A	FM-GPW-1112116-A	1803	FM-GPW-1161302	1804
FM-GPW-1102330-A	1803	FM-GPW-1112117	1803	FM-GPW-1161326	1804
FM-GPW-1102396	1802A	FM-GPW-1112119	1803	FM-GPW-1162180	1804
FM-GPW-1102510	1802	FM-GPW-1112158	1803	FM-GPW-1162181	1804
FM-GPW-1102511	1802	FM-11A-12425	0604B	FM-GPW-1162402	1804
FM-GPW-1102980	2201	FM-11A-13480	0606	FM-GPW-1162410	1804
FM-GP-1103010	1811	FM-11A-14452	0610B	FM-GPW-1162414	1804
FM-GP-1103014	1811	FM-GPW-1120040	2201F	FM-GPW-1162552	1804
FM-GP-1103020	1811B	FM-GPW-1120041	2201F	FM-GPW-1162606	1802A
FM-GPW-1103027	1811	FM-GPW-1127846	1802A	FM-GPW-1162900-B	1804A
FM-GPW-1103028	1811	FM-GPW-1127847	1802A	FM-GPW-1163206	1804A
FM-GPW-1103030	1811B	FM-GPW-1127848	1802A	FM-GPW-1163846-B	1804A
FM-GPW-1103050	1811	FM-GPW-1127849	1802A	WO-1165328	0102A
FM-GPW-1103080-A	1811B	FM-GPW-1127850	1802A	FM-GPW-1166400	1804A
FM-GP-1103100	1811	FM-GPW-1127851	1802A	FM-GPW-1166401	1804A
FM-GP-1103106	1811B	FM-GPW-1128242	1802A	FM-GPW-1166800-B	1804A
FM-GP-1103110	1811B	FM-GPW-1128244	1802A	AC-1504118	0306B
FM-GPW-1103162	1811	FM-GPW-1128286	1802A	AC-1521578	0302
FM-GPW-1103214	2201	FM-GPW-1129068	2201A	AC-1521708	0302
FM-GPW-1103268	1811B	FM-GPW-1129069	2201A	AC-1521880	0302
FM-GP-1103302	1809A	FM-GPW-1129670	1800A	AC-1521953	0302
FM-GPW-1103304	1811	FM-GPW-1129672	1800A	AC-1521956	0302
FM-GP-1103310	1811	FM-GPW-1131414	1804	AC-1521960	0302
FM-GP-1103334	1811	FM-GPW-1140324	1802A	AC-1521985	0302
FM-GP-1103350	1811	FM-GPW-1140330	1817A	AC-1522046	0302
FM-GPW-1103446-A	1802A 1811	FM-GPW-1140441	1802A	AC-1522046	0302
FM-GP-1103482-A	1811	FM-GPW-1140447	1802A	AC-1522199	0302
FM-GPW-1103488	1811	FM-GPW-1140449	1802	AC-1523068	0302
FM-GPW-1104320	1809	FM-GPW-1140474	0300	AC-1523096	0302
FM-GPW-1104364	1809	FM-GPW-1143501	1817	AC-1523099	0302
FM-GPW-1106024-B	1809A	FM-GPW-1144606	1802A	AC-1523106	0302
FM-GPW-1106050	1809A	FM-GPW-1144620	1802A	AC-1523231	0302
FM-GPW-1106064	1809A	FM-GPW-1146100	1817	AC-1537065	0302
FM-GPW-1106068	1809A	FM-GPW-1146126	1817	AC-1537904	0302
FM-GPW-1106084-B	1809A	FM-GPW-1146132	1817	AC-1538114	0302
FM-GPW-1106085	1809A	FM-GPW-1146152	1817	AC-1538115	0302
FM-GPW-1106087-A	1809A	FM-GPW-1150498	2201A	AC-1538205	0302
FM-11A-10211-B	0601-2	FM-GPW-1151266	2201A	AC-1538312	0302
FM-GPW-1110610	1802A	FM-GPW-1151270	2201A	AC-1538360	0302
FM-GPW-1110625	1802A	FM-GPW-1151272	2201A	AC-1542508	0301C
FM-GPW-1110750	1802A	FM-GPW-1151289	1811	AC-1542510	0301C
FM-GPW-1110895	1802A	FM-GPW-1151297	1811	AC-1595823	0306B
FM-11YS-18142-B	0606F	FM-GPW-1152700	1800B 2201	FM-18-10088	0601-2
FM-11YS-18149-B	0606F	FM-GPW-1152730	2201A	FM-19B-10048	0601-2
FM-11YS-18151-B	0606F	FM-GPW-1152950	2201A	FM-19B-10051-A	0601-2
FM-11YS-18193-B	0606F	FM-GPW-1153030	2201A	FM-19B-10052-A	0601-2
FM-11YS-18198-B	0606F	FM-GPW-1153100	1820	FM-19B-10070-B	0601-2
FM-GPW-1111137-A	1803	FM-GPW-1153104	1820	FM-19B-10098	0601-2
FM-GPW-1111140	1802A	FM-GPW-1153106	1820	FM-19B-10116	0601-2
FM-GPW-1111155	1802A	FM-GPW-1153107	1820	FM-19B-10118	0601-2
FM-GPW-1111162	1803	FM-GPW-1153110	1820	FM-19B-10119	0601-2
FM-GPW-1111218	1802A	FM-GPW-1153123	1820	FM-19B-10122	0601-2
FM-GPW-1111238	1802A	FM-GPW-1153124	1820	FM-19B-10202	0601-2
		FM-GPW-1153142	2201A	FM-19B-10212	0601-2
				FM-19B-10214	0601-2
				FM-19B-14451	0601B

PART NUMBER INDEX—MANUFACTURERS (Cont'd)

Number	Group	Number	Group	Number	Group
FM-21CS-17682-B	2202	FM-355162-S2	{ 0303 2201A		{ 0601A 0602
FM-21CS-17718-A	2202	FM-GPW-355162-S2	1800A	FM-356309-S7	1701
FM-21C-18397-B	0902	FM-355200-S7	0301		1802A
SP-22-381-19	0803	FM-355260-S7	0601		2103A
FM-24454-S2	1809A	FM-355352-S7	1201	FM-356314-S7	0501
FM-26H-11055	0602-1	FM-355398-S2	1205	FM-356371-S7	{ 0601 0601A
HR-3108628	0502	FM-355403-S2	0107A	FM-356373-S2	1811
CB-3121441	2203A	FM-355427-S7	0601B	FM-356394-S2	1205
FM-33797-S16	0610B-1	FM-355433-S2	{ 1403A 1602	FM-356522-S2	2201A
FM-33798-87	2603	FM-355442-S2	0503	FM-357419-S2	0607
FM-34033-S18	{ 1601C 1602	FM-355449-S2	1811	FM-357689-S7	0604
FM-34056-S16	0610B	FM-355455-S7	0601A		{ 1204 1401 1602
FM-34805-S7-8	0601	FM-355485-S7	{ 0602 0602-1	FM-358006-S8	
FM-350110-S7	0603-1	FM-355486-S7	0601	FM-48-15021	0607B
FM-350329-S2	0601A-1	FM-355496-S7	0601A	SP-6-73-1117	1006
FM-350340-S2	0601A-1	FM-355569-S2	1804	RG-7698-4%	1403A
FM-350341-S2	0601A-1	FM-355752-S7	1201	FM-78-10212-A	0601
FM-350853-S7	0601	FM-355762-S7	0501	FM-81A-10208	0601-2
FM-350976-S2	{ 1702 1802A	FM-355836-S2	1209C	FM-81A-10211	0601-2
FM-351025-S7	0101A		{ 0108C 0303	BX-901835-K6	1201-1
FM-351059-S7	1402	FM-355836-S7	0606B	FM-99B-10041	0601-2
FM-351274-S7	{ 0604 0606F		1804A	FM-99B-10044	0601-2
FM-351303-S2	1811D		2201A	FM-99B-10055	0601-2
FM-351355-S7	{ 0602 0602-1		1800A	FM-99B-10057	0601-2
	1702	FM-GPW-355836-S7	1809A	FM-99B-10094	0601-2
FM-351370-S2	{ 1804 2201A		1817	FM-99B-10121	0601-2
FM-351373-S2	0601A-1	FM-355883-S7	0601	FM-99B-10122	0601-2
FM-351505-S7	1603	FM-355900-S2	1804	FM-99B-10175	0601-2
FM-352690-S7	1201-1	FM-355909-S2	1802A	FM-99B-10193	0601-2
FM-353023-S7	1602	FM-355944-S5	{ 0602 0602-1	FM-GPW-1111286-A3	0706A
FM-353035-S8	0805B	FM-355965-S2	1804	FM-350343-S16	0610B
FM-353043-S7	0902	FM-356036-S8	0606	FM-351466-S24	1203
FM-353043-A-S7	0204	FM-356077-S8	1403A	FM-352692-S15	1811
FM-353052-S7	0107	FM-356123-S7	1809A	FM-355944-55	0606
FM-353055-S7	0300		{ 0602 1702	FM-356134-S18	0802
FM-355067-S7	0301	FM-356200-S7	1802A	FM-357016-S19	2203
FM-355095-S7	0300A		{ 0602 1702	FM-357553-S18	1201
FM-355130-S7	2204	FM-356208-S7	0601	FM-687-13532	0606
FM-355131-S7	1209C		{ 0604C 0606	FM-81W-811189	1811
FM-355132-S7	0301	FM-356229-S7	0601	FM-C8T-8103074-B	1811
FM-GPW-355158-S2	1809A		0601	FM-99W-8103311	1811
FM-355160-S2	0108C	FM-356263-S7	0601	SP-18-362-4-5866-X	0803
		FM-356264-S7	0601	SP-K2-62-210-212-1718	0901
				SP-K2-62-210-212-1907	0901

OFFICIAL STOCK NUMBER INDEX

Official Stock No.	Group	Official Stock No.	Group	Official Stock No.	Group
A044-0200545	1301	G085-1414736	0302	G104-1781765	0306B
D017-0309544	0606F	G085-1543023	1403A	G104-1781822	0601
D028-0204281	0606F	G085-2102215	0606	G104-1783105	0603
F005-0102840	0602	G085-2102323	0503A	G104-1789657	0601
F065-0101500	1403A	G085-2212144	0110	G104-1789691	0601-2
F226-0242470	0606F	G085-2212230	0601B	G104-1842710	0602
F227-0105011	0602	G085-2219065	0902	G104-1842779	0601B
F227-0113360	0601-1	G085-221780	1209C	G104-1842846	0902
F227-0200895	0602	G085-2221780	1207	G104-1882251	0902
G054-1714512	0601B	G085-2307348	1209C	G104-1882330	0902
G057-0124276	1205	G085-2307352	1704	G104-2194015	0902
G067-0600800	1205	G085-2307354	1601A	G104-3067005	0608
G067-0600810	1205	G085-2307354	0401	G116-0400021	0605
G067-0900250	0602	G085-2307356	0110	G116-0400060	0603
G067-0900690	0602	G085-2307356	0607	G116-0400320	0601
G067-0900810	0602	G085-2307356	0809	G116-0400590	0603
G067-0901889	0603	G085-2307356	1203	G116-0400771	0605
G067-0902830	0601B	G085-2307376	0101A	G116-1593934	0107E
G067-0902840	0601B	G085-2307384	1205	G116-1782002	0601
G067-0903250	0602	G085-2317342	1601C	G116-1782009	0603
G067-0903390	0601B-1	G085-2317342	1602	G116-1793792	0606
G067-0903450	0601B	G085-2319320	1203	G116-1843059	0603
G067-0903630	0601B	G085-2320185	1203	G116-1843100	0603
G067-0903910	0601B-1	G085-2371520	0204A	G116-1845184	0603
G067-0903990	0603	G085-2371582	1402	G121-0110400	0601
G067-0904036	0603	G085-2712158	0110	G121-0110500	0601
G067-0904329	0603	G085-3000180	0302	G121-0115950	0601
G067-0904430	0602	G085-3000880	0302	G121-0126320	0602
G067-0904520	0601B-1	G085-3002220	0302	G121-0127843	0601
G067-0904540	0601B-1	G085-3002240	0302A	G121-0137958	0603
G067-0904550	0601B-1	G085-3002280	0306B	G121-0139650	0601
G067-0904560	0601B-1	G085-3002300	0306B	G121-0139660	0601
G067-0904830	0601B	G085-3002320	0306B	G121-0139665	0601
G067-0904830	0601B-1	G085-3003100	0302	G121-0155535	0607
G067-0904930	0601B	G085-3003640	0302	G121-0193758	0601
G067-0905310	0602	G085-3004580	0302	G121-0194050	0605
G067-0905419	0603	G085-3004880	0302	G121-0205450	0601
G067-0905420	0601B	G085-3004960	0301	G121-0217900	0608
G067-0905420	0601B-1	G085-3005780	0306B	G121-0232700	0601
G067-0905570	0602	G085-3005920	0301	G121-0232730	0601
G067-0905580	0602	G085-3005980	0306B	G121-0232740	0601
G067-0905600	0601B	G102-0305579	0801	G121-0232750	0601
G067-0905600	0601B-1	G102-0306647	0805	G121-0273850	0601
G067-0905860	0606	G102-0306828	0801	G121-0340277	0603
G067-0906045	0604A	G102-0307508	0805	G121-0340306	0603
G067-0906490	0601B	G102-0400526	0606F	G121-0340614	0603
G067-0906490	0601B-1	G103-1593621	0501	G121-0342160	0601
G067-0906491	0603	G103-1594029	0301	G121-0342160	2603
G067-0906720	0602	G103-1676405	0301	G121-0342310	0601
G067-0906730	0602	G103-1740563	0301	G121-0342320	0601
G067-0906840	0602	G103-1767693	0301	G121-0367250	0601B
G067-0906960	0603	G103-1789631	0301	G121-0370109	0603
G067-1501511	0302	G104-0102538	0301	G121-0382113	1817A
G067-1510511	0302	G104-1518120	0603	G121-0382171	0601
G067-23-00040	0810	G104-1526008	0606D	G121-0382182	0601
G067-3138899	0601B-1	G104-1526219	0601-2	G121-0389650	2204
G067-3140085	0603	G104-1531588	0902	G121-0389890	0603
G067-3442601	0603	G104-1540059	0601B	G121-0389891	0603
G074-1443015	0606F	G104-1648701	0902	G121-0398703	0601
G085-0100660	0302	G104-1738660	0301	G121-0442942	0601
G085-0305020	0301	G104-1742400	0603-1	G121-0442945	0601
G085-1100877	0601-1	G104-1767649	0902	G121-0442946	0601
G085-1100878	0601-1	G104-1769782	0902	G121-0447500	0603
G085-1305451	0601-1	G104-1769814	0703	G122-0381730	0301

OFFICIAL STOCK NUMBER INDEX (Cont'd)

Official Stock No.	Group	Official Stock No.	Group	Official Stock No.	Group
G125-0869940	0301	G503-0131675	0800	G503-0407837	0107G
G125-0882589	0301	G503-0132455	0107H	G503-0529696	0301
G133-0193816	0306B	G503-0139784	0603-1	G503-7002601	0706C
G134-0110476	0601-2	G503-0139920	0304	G503-7002980	1811D
G134-0131291	0300	G503-0145853	1205	G503-7002981	1811D
G134-0138795	0603-1	G503-0145854	1207	G503-7002982	1811D
G134-0193870	1205	G503-0145855	1207	G503-7032686	2208
G134-0314564	0204A	G503-0152015	0603	G503-7032687	2208
G134-0338435	0602	G503-0169093	0301C	G503-7032688	2208
G134-0381800	1201	G503-0169094	0301C	G503-7032689	2208
G134-0389790	1201	G503-0183053	0306B	G503-7032690	2208
G134-0389795	1201	G503-0194016	0503	G503-7032691	2208
G136-0367413	0601B-1	G503-0194018	0101A	G503-7032692	2208
G148-0140138	0107E	G503-0194020	0107A	G503-7032693	2208
G148-0340604	0107E	G503-0194021	0108	G503-7032694	2208
G148-0389795	0107E	G503-0194022	0105C	G503-7032695	2208
G154-0139853	0603	G503-0194025	0300A	G503-7032696	2208
G154-0140096	0601B	G503-0194027	0108	G503-7032697	2208
G154-0382036	0601	G503-0194028	0306B	G503-7032698	2208
G154-0392749	0601B	G503-0194030	0505	G503-7032699	2208
	0601B-1	G503-0194032	0105C	G503-7032700	2208
G154-0398792	0601	G503-0194033	0107E	G503-7036544	0803
G156-0232827	0601	G503-0194034	0301	G503-7036567	1401
G160-0126260	0609B	G503-0194062	0605	G503-7036571	0106C
G160-0389772	0805B	G503-0194063	0300A	G503-7036572	0106C
	0110	G503-0196299	0601	G503-7036573	1811D
	0203	G503-0211410	0607	G503-7036574	0106C
G166-0314832	0401	G503-0211411	0607	G503-7036575	0301C
	1205	G503-0217815	0107J	G503-7036577	0503A
	1405	G503-0217816	0107J	G503-7036578	0107A-1
G166-0398794	0604A	G503-0217819	1209B	G503-7036579	0105
G167-0903749	0603	G503-0217820	1209B	G503-7036580	0105
G179-0579810	0301	G503-0217821	1209B	G503-7036582	0606
G179-7010485	0301C	G503-0217822	0505	G503-7036583	0901
G179-7010624	0607D	G503-0232469	0605	G503-7036584	1401
G502-0110522	0601B	G503-0295823	0602-1	G503-7036585	1401
G502-0110523	0601B	G503-0295835	0602	G503-7036586	1401
G502-0116038	0609B	G503-0295838	0602	G503-7036587	1401
G502-0125856	0601B	G503-0314838	1302A	G503-7036588	1401
G502-0125960	0601B-1	G503-0314839	1302A	G503-7036865	0606
G502-0139775	0601B	G503-0314840	1301	G503-7036866	0606
G502-0139777	0601B	G503-0325902	0606D	G503-7044051	2208
G502-0139953	0601B-1	G503-0340661	0107A	G503-7044168	2208
G502-0139954	0601B-1	G503-0340680	0604B	G503-7044237	2208
G502-0196319	0601	G503-0345876	0302	G503-7088715	1603
	0604A	G503-0345896	0503	G503-7088755	0606
G502-0196321	0601	G503-0373269	1402	G505-0152523	0602
G502-0232822	0601B	G503-0373270	1402	G505-0156045	0602
G502-0367546	0601B-1	G503-0373279	1401	G505-0179571	0602
G502-0367841	0601	G503-0373638	0603	G505-0365732	0602
G502-0435653	0601B-1	G503-0384600	2204	G505-0579385	0602
G502-7001048	0601B-1	G503-0384601	1102	G505-0666927	0602
G503-0124253	1301	G503-0384602	1102	G507-0367615	0106B
G503-0125800	1202	G503-0389782	1203	G518-7000186	0604C
G503-0125801	1202	G503-0389783	0204		0606
G503-0125900	0606D	G503-0389784	1601A		0108
G503-0125901	0606D	G503-0389792	1601		0109C
G503-0127853	0607A	G503-0389793	1601		0110
G503-0131476	0105C	G503-0393785	0606		0301A
	0106	G503-0393787	0606	G518-7001420	0306B
G503-0131548	0603	G503-0393789	0606		0401
	0603-1	G503-0393790	0606		0601-A
G503-0131549	0501	G503-0400093	0502		0700
G503-0131592	0301	G503-0407836	0304		1203

OFFICIAL STOCK NUMBER INDEX (Cont'd)

Official Stock No.	Group	Official Stock No.	Group	Official Stock No.	Group
G671-5636599	0604C		0606	H001-1519010	0108
G855-613314	0301C		0608	H001-1522003	0301
G855-613455	0301C		0609	H001-1530007	0603-1
H001-0116190	1405		0801	H001-1530009	1500
H001-0116196	1405		1201	H001-1531002	0601B
H001-0121668	0503A	H001-1518007	1201-1		0602
	1201	(Cont'd)	1209C	H001-1531003	0602
H001-0518002	0102		1704		0609
H001-0518011	0601		1803	H001-4057595	0110
H001-0518016	0602		1804	H001-4135621	0606D
H001-0716530	0301		1809A		0601
	0601		1811	H001-4135681	0601B
H001-0716540	0606B		2203A		0606F
H001-0726010	0300		0601-2		0601B
H001-0726020	0104		0607	H001-4167501	0608
H001-0811025	0607		0610A		1201
H001-08-11026	0303		1201-1		0301C
	1201		1505	H001-4167520	0303
	0601	H001-1518008	1601B		0606
H001-0811040	1201		1800A	H001-4167521	0606F
	1402		1802A	H001-4167545	0601A
H001-0811050	1201		1804		0300
H001-0811052	1601C		2101	H001-4167560	0501
	1602		2103		1201-1
	0107A-1		2201A	H001-4167580	1500
	0802		0103B	H001-4167600	0610B
H001-0811055	0803		0106D	H001-4167601	1201-1
	1007		0109C	H001-4171545	2208
	1401		0110	H001-4171585	0607D
H001-0811066	0303		0306B		1817A
H001-0811075	1603		0505	H001-4171601	1006
	1003		0601A		1203
H001-0811304	1104		0602		1003
H001-0918009	1500		0602-1	H001-4217800	1007
H001-0924006	0300		0607D		1104
H001-0924108	0300		0610B	H001-5125801	0603
	0302A		0700	H001-5125821	0601-1
H001-1013018	0503		0800		0601B
	0703	H001-1518009	0804	H001-5125851	0301
	0706A		1006	H001-5125861	0601B
	0401		1007		0601B-1
H001-1013461	1001		1102		0301
	1101		1201	H001-5127331	0601
H001-1026463	0602		1201-1		0603
H001-1030594	0601		1203		0303A
	0301		1402	H001-5147511	0601
	0601		1500		0606
	0601B		1505		0609B
H001-1518004	0601B-1		1802	H001-5147531	0601B
	0606D		1804	H001-5148821	0601B
	0609		1817A	H001-5148831	0601B
	1811		2101	H001-5417560	1201-1
	0601B		2201A	H001-5418300	0609
H001-1518005	1804A	H001-1518010	1502	H001-5418341	0606F
	1817		1602	H001-5419100	0607
	2204		0102A	H001-5419140	0107A-1
H001-1518006	0107		0110		0301C
	1820	H001-1518011	0607	H001-5419780	0602
	0300		0809		0609
	0301		1502	H001-5419820	1201-1
H001-1518007	0301C	H001-1518013	1403A		2103A
	0303		0603	H001-5419840	1201-1
	0601	H001-1519006	0607D	H001-5419860	0401-1
	0603		0609B	H001-5420520	0110

OFFICIAL STOCK NUMBER INDEX (Cont'd)

Official Stock No.	Group	Official Stock No.	Group	Official Stock No.	Group
H001-5420600	0602	H001-7124741	0602	H013-0500128	{1301A
H001-5421240	0610B	H002-0100130	1403A		{1301B
H001-5421245	2001	H002-0100140	0805	H015-0500903	0609B
H001-5421280	1201	H002-0504203	0902	H017-0501451	1800B
H001-6811640	0203	H002-0504207	1602	H017-0506101	2203A
H001-7017651	2003	H002-0504208	1602	H017-0507291	0503B
H001-7017655	0601A	H004-0355720	0606F	H017-0509226	0503B
H001-7021685	0606F	H004-0501303	0605C	H017-0540242	1202
H001-7023681	0601B	H004-0504406	0608	H017-0540462	0107E
H001-7025561	0601	H004-0504413	0608	H017-0540501	0107E
	{0302	H004-0504417	0607A	H101-0103180	0107
	0601	H004-0504420	0607A	H101-0103190	0108
	0601-2	H004-0504423	0607A	H101-0112657	2103A
	0602	H004-0504430	0608		{0303
	0603	H004-0504432	0608	H101-0114493	{0609
H001-7025621	0603-1	H004-0504780	0605C		2103A
	0606B	H004-0506605	0606	H101-0115729	0300
	0606E	H006-0117243	0300	H101-0119860	{0300
	0607	H006-0282480	0101		{0501C
	1209C	H006-0283180	0107	H101-0121668	0106C
	2204	H006-0283195	0306B	H101-0124552	0303
H001-7025681	0606F	H006-0283800	0101	H101-0173252	2208
H001-7025685	0501C	H006-0283805	0101	H101-7131300	0607B
	0107	H012-0708218	0804	H104-0193059	{0101
	0107A-1	H012-0709455	1401		{0501
	0110	H012-0710203	0203	M001-0104161	0602
	0204	H012-0900105	0503	M001-0104162	0602
	0300	H012-1300017	0601	M001-0107347	0607A
	0301C	H012-1303017	0601-2	M001-0213230	0607B
	0302A	H012-1303030	0803	M003-0109723	0601
	0401	H012-1304020	0601-2	8-F-2305	2306
	0401-1	H012-1314035	0704	8-T-8978	2306
	0501	H012-1323017	0601	8-T-9050	2306
	0503	H012-1340035	0703	8-T-14215	2306
	0601	H012-1900060	0601-1	8-T-15280	2306
H001-7025711	0601A	H012-6122200	{1003	51-A1562-400	0610
	0601B		1104	0040-119922	0304
	0602	H012-6133330	1006	0040-1521880	0302
	0602-1	H012-6136260	0803	0040-1521960	0302
	0609	H012-6141280	1301A	0040-1521985	0302
	0610A	H012-6146900	{1003	0040-1538115	0302
	0706A		1104	0040-1538312	0302
	0801	H012-6160380	1003	0040-1538360	0302
	0902		1104	0040-1542508	0301C
	1201	H012-6200730	1403A	0340-14257	1602
	1201-1	H012-6209750	{1003	0340-14312	1602
	1205		1104	0340-14313	1602
	1405	H012-6216140	1006	0340-14314	1602
H001-7043561	0603	H012-6217320	0803	0340-14315	1602
	0601-1	H012-6219420	1301A	0340-14315	1601
H001-7043591	0601B	H012-6220960	{1003	0340-14376	1601
	0601B-1		1104	0340-14384	1601
H001-7043681	0601	H012-6224700	1003	0340-14408	1602
	0601B		1104	0340-14409	1602
H001-7043711	0107E	H013-0500007	0800	0523-TP-2851	0202
	0601B		0805	0820-41876	1203
H001-7043741	0110	H013-0500017	1403A	0820-45771	1203
H001-7043801	0601		{1007	0820-47047	1200
H001-7045491	0601-2	H013-0500030	1102	0820-47048	1200
H001-7045561	0602-1		1007	0820-47050	1200
H001-7045591	0306B	H013-0500034	1007	0820-47051	1200
H001-7124621	0602	H013-0500068	0803	0820-47054	1203
H001-7124701	{0603-1	H013-0500071	{1003	1500-147	0301
	0606F		1104	1500-1A-55	0301A

OFFICIAL STOCK NUMBER INDEX (Cont'd)

Official Stock No.	Group	Official Stock No.	Group	Official Stock No.	Group
1500-2-89	0301	2980-GCE-1125	0601	3320-GPW-5274	{0401
1500-101-6	0301	2980-IGS-1134L	0603		{0401-1
1500-11B-35	0301	2980-IAD-2004	0603-1	3320-GPW-5276	0401-1
1500-11B-79	0301	2980-GCE-2012S	0601	3320-GPW-5283	{0401
1500-1319	0301	2980-MZ-2089	0602		{0401-1
1500-20-26	0301	2980-GCE-2118	0601	3320-GPW-5298	0401
1500-20-61	0301	2980-IGS-2134L	0603	3320-GPW-5310-B	2000
1500-20-72	0301	2980-IGS-2135	0603	3320-GPW-5311-B	2000
1500-21-74S	0301	2980-MZ-2156	0602	3320-GPW-5313-A	1601
1500-25-93S	0301	2980-IAD-4008	0603-1	3320-GPW-5315-A	1601
1500-3-465S	0301	2980-SW-4015	0606	3320-GPW-5316-A	1601
1500-43-67	0301	2980-EBA-4611	0602	3320-GPW-5316-B	1601
1500-48-84	0301	2980-EB-8505	0602	3320-GPW-5453	1602
1500-6-312S	0301	2980-EB-8506	0602	3320-GPW-5456	1602
1500-64-62S	0301	2980-EB-8507	0602	3320-GPW-5463	1602
1500-7-116S	0301	2980-10-311A	0605	3320-GPW-5464-B	1602
1500-105-13	0301	3320-GPW-1027	1301	3320-GPW-5468	1602
1500-11B-105	0301	3320-GPW-2250	0301C	3320-GPW-5565	1601A
1500-11B-125S	0301	3320-GPW-2263	1209C	3320-GPW-5566	1601A
1500-11B-127S	0301	3320-GPW-2264	1209C	3320-GPW-5587	1601C
1500-114-21S	0301	3320-GPW-2265	1209C	3320-GPW-5587-B	1601C
1500-122-47S	0301	3320-GPW-2266	1209C	3320-GPW-5590	1601C
1500-12-255	0301	3320-GPW-2267	1209C	3320-GPW-5590-B	1601C
1500-122-64S	0301	3320-GPW-2268	1209C	3320-GPW-5602	1601C
1500-129-15	0301	3320-GPW-2298	1209C	3320-GPW-5604	1601C
1500-14-246S	0301	3320-GPW-2635	1201	3320-GPW-5604-A	1601C
1500-146-95S	0301	3320-GPW-2659	1201	3320-GPW-5605	1601C
1500-150-97	0301	3320-GPW-2780	1201	3320-GPW-5607	1601C
1500-150-98	0301	3320-GPW-2793	1201	3320-GPW-5607-A	1601C
1500-53A-168S	0301	3320-GPW-2848	1201	3320-GPW-5608	1601C
1500-53A-251S	0301	3320-GPW-2853	1201	3320-GPW-5609	1601C
1500-61-119	0301	3320-GPW-3001	1000	3320-GPW-5610	1601C
1500-61-169	0301	3320-GPW-3131	1401	3320-GPW-5705	1602
1500-61-171	0301	3320-GPW-3226	1007	3320-GPW-5705-B	1602
1500-61-190	0301	3320-GPW-3227	1007	3320-GPW-5781-A	1601A
1500-61-207	0301	3320-GPW-3304B	1401	3320-GPW-6004	0100
1500-61-272	0301	3320-GPW-3323	1401	3320-GPW-6005	0100
1500-75-547	0301	3320-78-3332-A	1402	3320-GPW-6016	0106D
1500-101-150S	0301	3320-GPW-3509	1403A	3320-GPW-6020	0106D
1500-117-106	0301	3320-GPW-3521	1403A	3320-GPW-6038	0110
1500-120-151S	0301	3320-GPW-3563	1403A	3320-GPW-6038-A	0110
2300-11503	0607D	3320-GPW-3590	1403A	3320-GPW-6040-A	0110
2300-415342	0607D	3320-GPW-3600A	1404	3320-GPW-6040-B	0110
2300-415442	0607D	3320-GPW-4605	0901	3320-GPW-6043	0110
2760-5941	0604C	3320-GPW-4863	0803	3320-GPW-6044	0110
2980-IAD-12	0603-1	3320-GPW-5084	0809	3320-GPW-6050	0101A
2980-KIT-24	0602	3320-GPW-5165	0610A	3320-GPW-6051-B	0101A
2980-KIT-25	0602	3320-GPW-5230-A	0401	3320-GPW-6054	0106D
2980-KIT-26	0602	3320-GPW-5230-B	0401	3320-GPW-6065	0101A
2980-EBA-46	0602	3320-GPW-5230-C	0401-1	3320-GPW-6066	0101A
2980-VRH-50	0601B-1	3320-GPW-5233	0401-1	3320-GPW-6067	0101A
2980-IGT-69	0603	3320-GPW-5246	0401	3320-GPW-6074	0601A-1
2980-KIT-119	0601-1	3320-GPW-5246-B	0401	3320-GPW-6105-A	0103
2980-KIT-121	0603-1	3320-GPW-5251	0401	3320-GPW-6105-C	0103
2980-GCE-125	0601	3320-GPW-5251-B	0401-1	3320-GPW-6105-D	0103
2980-X-156	0601	3320-GPW-5262	{0401	3320-GPW-6105-F	0103
2980-IGB-202S	0603		{0401-1	3320-GPW-6110-A	0103
2980-M2-51	0602	3320-GPW-5264-A	0401	3320-GPW-6110-C	0103
2980-SP-484	0601	3320-GPW-5264-B	{0401-1	3320-GPW-6110-D	0103
2980-SP-484A	0601		{0401	3320-GPW-6135-A	0103B
2980-MZ-1009	0602	3320-GPW-5265	0401-1	3320-GPW-6135-D	0103B
2980-PS-1079A	0602	3320-GPW-5266	0401-1	3320-GPW-6149-E	0103A
2980-IGS-1080	0603	3320-GPW-5269	0401	3320-GPW-6149-G	0103A
2980-SPS-1100R	2204	3320-GPW-5270	0401	3320-GPW-6149-H	0103A

OFFICIAL STOCK NUMBER INDEX (Cont'd)

Official Stock No.	Group	Official Stock No.	Group	Official Stock No.	Group
3320-GPW-6149-J	0103A	3320-GPW-6644	0107	3320-GPW-9237-B	0304
3320-GPW-6200	0104	3320-GPW-6648	0107N	3320-GPW-9267-A	0304
3320-GPW-6201	0104	3320-GPW-6654	0107	3320-GPW-9268	0304
3320-GPW-6211-A	0104	3320-GPW-6659	0107	3320-GPW-9282	0304
3320-GPW-6211-B	0104	3320-GPW-6663	0107	3320-GPW-9316	0107J
3320-GPW-6211-C	0104A	3320-GPW-6664	0107	3320-GPW-9323	0107J
3320-GPW-6243	0106	3320-GPW-6673	0107	3320-GPW-9369	0304
3320-GPW-6244	0106	3320-GPW-6675	0107A	3320-GPW-9424	0108
3320-GPW-6245	0106	3320-GPW-6684	0107	3320-GPW-9424-B	0108
3320-GPW-6262A	0106A	3320-GPW-6700	0102A	3320-GPW-9426	0108
3320-GPW-6269	0106C	3320-GPW-6701	0102A	3320-GPW-9428	0108
3320-GPW-6287	0102A	3320-GPW-6702	0102A	3320-GPW-9435	0108
3320-GPW-6288	0106D	3320-GPW-6710	0107A	3320-GPW-9443	0108
3320-GPW-6303-A	0102	3320-GPW-6734	0107A	3320-GPW-9447	0301A
3320-GPW-6308	0102	3320-GPW-6756	0107N	3320-GPW-9450	0401
3320-GPW-6310	0102	3320-GPW-6758	0107N	3320-GPW-9456	0108C
3320-GPW-6312	0102	3320-GPW-6758-B	0107N	3320-GPW-9458	0108C
3320-GPW-6319	0102	3320-GPW-6762	0107N	3320-GPW-9460	0108C
3320-GPW-6326	0102A	3320-GPW-6763-A	0107G	3320-GPW-9462	0108
3320-GPW-6331-A	0102A	3320-GPW-6763-C	0107G	3320-GPW-9463	0108C
3320-GPW-6331-B	0102A	3320-GPW-6766-C	0107H	3320-GPW-9465	0108C
3320-GPW-6333-A	0102A	3320-GPW-6769	0107N	3320-GPW-9467	0108C
3320-GPW-6333-B	0102A	3320-GPW-6771	0301C	3320-GPW-9467-A	0108C
3320-GPW-6337-A	0102A	3320-GPW-6772	0301C	3320-GPW-9484	0108C
3320-GPW-6337-B	0102A	3320-GPW-6789	0107H	3320-GPW-9628	0301C
3320-GPW-6338-A	0102A	3320-GPW-7015	0703	3320-GPW-9632	0301C
3320-GPW-6338-B	0102A	3320-GPW-7062	0704	3320-GPW-9633	0301C
3320-GPW-6339-A	0102A	3320-GP-7092	0902	3320-GPW-9637	0301C
3320-GPW-6339-B	0102A	3320-GPW-7216	0706A	3320-GPW-9637-A	0301A
3320-GPW-6341-A	0102A	3320-GPW-7503	0204A	3320-GPW-9637-B	0301C
3320-GPW-6341-B	0102A	3320-GPW-7512	0204A	3320-GPW-9652	0301C
3320-GPW-6342-A	0106C	3320-GPW-7514	0204A	3320-GPW-9652-B	0301C
3320-GPW-6342-B	0102	3320-GPW-7515	0203	3320-GPW-9686	0301C
3320-GPW-6345	0102A	3320-GPW-7516	0203	3320-GPW-9686-A	0301C
3320-GPW-6353	0102	3320-GPW-7517	0204A	3320-GPW-9686-B	0301C
3320-GPW-6369	0102A	3320-GPW-7530	0203	3320-GPW-9700	0303A
3320-GPW-6375	0109	3320-GPW-7532	0203	3320-GPW-9719	0303
3320-GPW-6384	0109B	3320-GPW-7539	0204A	3320-GPW-9726	0303
3320-GPW-6387	0109	3320-GPW-7545	0204A	3320-GPW-9727	0303
3320-GPW-6390	0109	3320-GPW-7561	0203	3320-GPW-9731-B	0303
3320-GPW-6392	0109C	3320-GPW-7562	0203	3320-GPW-9735-A	0303
3320-GPW-6500-A	0105A	3320-GPW-7563	0202	3320-GPW-9735-B	0303
3320-GPW-6510	0105	3320-GPW-7600	0205	3320-GPW-9737	0303
3320-GPW-6510-B	0105	3320-GPW-7704-D	0800	3320-GPW-9739	0303
3320-GPW-6511	0105	3320-GPW-7726	0803	3320-GPW-9742	0303
3320-GPW-6511-B	0105	3320-GP-7747	0803	3320-GPW-9752	0303
3320-GPW-6513	0105	3320-GPW-7768	0801	3320-GPW-9775	0303A
3320-GPW-6514	0105	3320-GPW-7781-A	0809	3320-GPW-9775-B	0303A
3320-GPW-6546	0105	3320-GPW-8005	0501	3320-GPW-9778	0303A
3320-GPW-6549	0105A	3320-GPW-8250	0505	3320-GPW-9795	0303
3320-GPW-6549-B	0105A	3320-GPW-8269	0505	3320-GPW-9799	0303
3320-GPW-6550	0105	3320-GPW-8284	0505	3320-GPWS-10000	0601-2
3320-GPW-6552-B	0105A	3320-GPW-8290	0505	3320-GPW-10027	0601A-1
3320-GPW-6600	0107	3320-GPW-8505	0503	3320-GPA-10050	0601-2
3320-GPW-6608	0107	3320-GPWS-8509	0503A	3320-GAS-10120-A	0601-2
3320-GPW-6610	0107	3320-GPW-8509-A	0503A	3320-GPWS-10130	0601-2
3320-GPW-6614	0107	3320-GPW-8512	0503	3320-GPA-10142	0601-2
3320-GPW-6617	0107A-1	3320-GPW-8524	0503	3320-GPWS-10149	0601-2
3320-GPW-6619	0107	3320-GPW-8557-A	0503	3320-GPW-11474	0303A
3320-GPW-6625	0107	3320-GPW-8576	0503	3320-GPW-11495	0303A
3320-GPW-6627	0107A-1	3320-GPW-8578	0502	3320-GPW-12283	0604A
3320-GPW-6628	0107	3320-GPW-9002-C	0300	3320-GPW-12284	0604A
3320-GPW-6630	0107	3320-GPW-9030-B	0300	3320-GPW-12286	0604A
3320-GPW-6642	0107	3320-GPW-9237	0304	3320-GPW-12287	0604A

OFFICIAL STOCK NUMBER INDEX (Cont'd)

Official Stock No.	Group	Official Stock No.	Group	Official Stock No.	Group
3320-GPW-12298-B	0604A	3320-GPA-18342	0601-2	3320-34039-S	0601-2
3320-GPA-13007	0607A	3320-GPW-18347	0102A	3320-74127-S	0106A
3320-GPW-13075	0607	3320-GPW-18348	0102A	3320-33897-S2	0610A
3320-GPW-13076	0607	3320-GPW-18349	0102A	3320-355253-S	0301C
3320-GPW-13150	0607D	3320-GPW-18350	0102A	3320-355497-S	0103B
3320-GPW-13150-C	0607D	3320-GPW-18355B	0800	3320-355741-S	0809
3320-GPW-13175-C	0607D	3320-GPW-18356	0701	3320-356021-S	0104
3320-GPA-13189	0606E	3320-GPW-18356B	0701	3320-356299-S	0606E
3320-GP-13209-B	0607D	3320-GPW-18357-B	0301	3320-357420-S	0102A
3320-GP-13210-B	0607D	3320-GPW-18359	0202	3320-60-8287	0505
3320-GPW-13410	0608	3320-GPW-18359-B	0202	3320-74-6038	0809
3320-GPA-13485	0607A	3320-GPW-18360	0801	3320-74-6038A	0809
3320-GPA-13491	0607A	3320-GPW-18361	0606B	3320-9N-12-113-A	0604A
3320-GPA-13494	0607A	3320-GPW-18361-B	0606B	3320-9N-18679	0107J
3320-GPW-13710	0605C	3320-GPW-18361-D	0606B	3320-9N-18686	0107J
3320-GPW-14300	0610B	3320-GPA-18363-B	0601-2	3320-GPW-1101735A	0805B
3320-GPW-14300-B	0610B-1	3320-GPW-18363-C	0601	3320-GP-1103010	1811
3320-GPWS-14301	0610B-1	3320-GPW-18364B	0604A	3320-GP-1103014	1811
3320-GPW-14301-B	0610B	3320-GPW-18365	1000	3320-GPW-1103027	1811
3320-GPW-14305	0606B	3320-GPW-18365-B	1000	3320-GP-1103100	1811
3320-GPW-14305-C	0606B	3320-GPW-18366	1100	3320-GP-1103106	1811B
3320-GPW-14305-D	0606B	3320-GPW-18370-B	1205	3320-11A-10211-B	0601-2
3320-GPW-14321	0603-1	3320-GPW-18374	1403A	3320-GPW-18366-13	1100
3320-GPW-14401-A	0606B	3320-GPW-18377	1201	3320-21CS-17682-B	2202
3320-GPW-14401-B	0606B	3320-GPW-18379	0107	3320-26H-11055	0602-1
3320-GPW-14401-C	0606B	3320-GPW-18380	0107	3320-350329-S2	0601A-1
3320-GPW-14401-D	0606B	3320-GPW-18382	0609B	3320-350340-S2	0601A-1
3320-GPW-14401-F	0606B	3320-GPW-18383	1401	3320-350341-S2	0601A-1
3320-GPW-14402	0606B	3320-GPW-18384	1003	3320-351373-S2	0601A-1
3320-GPW-14402-B	0606B		1104	3320-81W-811189	1811
3320-GPW-14425	0606B	3320-GPW-18386	1003	3320-99W-8103311	1811
3320-GPW-14425-B	0606B		1104	5200-24562	1301
3320-GPW-14431	0610B	3320-GPW-18387	0101	5200-24568	1302
3320-GPW-14446	0606B	3320-GPW-18388	1003	5200-24569	1302A
3320-GPWS-14447	0610B-1		1104	5200-25646	1302
3320-GPW-14448-B	0606E	3320-GPW-18389	1003	5200-25647	1302
3320-GPW-14448-C	0606E		1104	5200-25693	1301
3320-GPW-14448-D	0606E	3320-GPW-18390	0101	5200-25917	1301
3320-GPA-14450-C	0610B-1	3320-GPW-18391	1007	5960-C-5509	0201A
3320-19B-14451	0610B	3320-GPW-18515-B	0503	5960-CS-5509-A	0201A
3320-GPA-14451-C	0610B-1	3320-GPW-18825-B	2603	5960-C-5510	0201A
3320-11A-14452	0610B	3320-GPA-18841	2603	6855-613300	0301C
3320-GPW-14465	0606B	3320-GPW-18846	2603	6855-613306	0301C
3320-GPW-14487-A	0606B	3320-GPW-18849	2603	6855-613380	0301C
3320-GPW-14487-B	0606B	3320-GPW-18850	2603	7640-T-13086	1403A
3320-GPW-14555	0610B-1	3320-GPW-18852	2603	7640-020122	1403A
3320-GPW-16892	1704	3320-GPW-18853	2603	7640-021116	1403A
3320-GPW-17255	2204	3320-GPW-18854	2603	7640-025060	1403A
3320-GPW-17260	2204	3320-GPW-18857	2603	7640-026988	1404
3320-21CS-17718-A	2202	3320-GPW-18858	2603	7640-028093	1403A
3320-GP-17723-A	2202	3320-GPW-18859	2603	7640-029046	0609B
3320-GPW-18060	1603	3320-GPW-18871	2603	7640-029049	0609B
3320-GPW-18060-A	1603	3320-GPW-18872	2603	7640-033046	1403A
3320-GPW-18080	1603	3320-GPW-18873	2603	7640-033047	1403A
3320-GPW-18288	0102	3320-GPW-18874	2603	7640-033048	1403A
3320-GPW-18289	0109	3320-GPW-18876	2603	7640-051033	0609B
3320-GPW-18314	0810	3320-GPWS-18935	0606	7640-051035	0609B
3320-GPW-18317	0800	3320-GPW-18935-A	2603	7640-063011	1403A
3320-GPA-18319	0602-1	3320-GPW-18935-B	2603	7640-063012	1403A
3320-GPW-18330-A	0104A	3320-GPW-18936-A	2603	7640-063991	0609B
3320-GPW-18330-B	0104A	3320-GPW-18937	2603	7640-063996	1403A ²
3320-GPW-18330-C	0104A	3320-GPW-18937-B	2603	7640-T-126000	1403A
3320-GPW-18330-D	0104A	3320-GPW-18938-B	2603	7640-T-129001	1403A
3320-GPW-18338	1006	3320-GPW-18960	2603	7640-401090	1403A

OFFICIAL STOCK NUMBER INDEX (Cont'd)

Official Stock No.	Group	Official Stock No.	Group	Official Stock No.	Group
7640-401100	1403A	8080-13439	1402	8080-18-67-2	0805
7640-401107	0609B	8080-13449	1003	8080-18-67-5	0805
7640-450054	0609B		1104	8080-2051-1	1100
7640-502282	1405	8080-13575	1003	8080-K2-4-108	1104
7640-502540	1403A		1104	8080-K2-4-108-X	1003
7640-503284	1403A	8080-15099	1003	8080-39020	0706A
7640-503308	1403A	8080-15367	1003		1003
7640-7321-32	0609B		1104	8080-16322-2	1104
8080-S58	1003	8080-15926	1003		1003
	1104		1104	8080-16323-2	1104
8080-S59	1003	8080-16075	1003		1006
	1104		1104	8080-16992-1	1006
8080-S74	1003	8080-16383	1104	8080-16992-2	1006
	1104	8080-16385	1003	8080-16992-3	1006
8080-S75	1003	8080-16386	1003	8080-16992-4	1006
	1104	8080-16409	1001	8080-17122-3	1007
8080-S-112	1003		1101	8080-17122-4	1007
	1104	8080-16412-X	1003	8080-17128-3X	1007
8080-S-113	1003		1104	8080-17128-4X	1007
	1104	8080-16968-X	1003	8080-17155-1	1007
8080-S-114	1003		1104	8080-17155-2	1007
	1104	8080-16969X	1003	8080-17295-1	1402
8080-BM117	0800	8080-16976	1001	8080-17295-2	1402
8080-S-171	1003		1101	8080-18-155-2	0801
8080-3Q74	1201	8080-16979	1001	8080-18-155-1	0804
8080-4B26	1201		1101	8080-18-187-1	0804
8080-5B15	1201	8080-16983	1006	8080-18-223-2	0801
8080-5B16	1201	8080-16991	1006	8080-18-223-3	0803
8080-363SP	0805B	8080-17003	1006	8080-18-2287	0801
8080-433-D	0805B	8080-17015	1301A	8080-18-228-8	0801
8080-SP634-D	0801	8080-17016	1301A	8080-18-228-9	0801
	1003	8080-17041	1006	8080-18-324-2	0801
8080-S-638	1104	8080-17046X	1402	8080-18-352-5	0801
8080-690W	0804	8080-17047X	1402	8080-18-36-23	0803
8080-710W	0803	8080-17048X	1006	8080-18-381-2	0803
8080-854-D	0805	8080-17071	1302	8080-18-452-2	0810
8080-887-D	1201	8080-17121X	1007	8080-18-453-3	0810
8080-S953	1007	8080-17133X	1006	8080-18-454-2	0810
8080-S-957	1006	8080-17135-X	1006	8080-18-466-1	0803
8080-10B-18	1201	8080-17146	1102	8080-25-Q-1055	0805B
8080-1056	1007	8080-17202-X	1006	8080-25-Q-1056	0805B
8080-1244	0803	8080-17205	1401	8080-31246-2	0804
8080-18-5-1	0804	8080-17210	1401	8080-6-13-124	1007
8080-18-8-1	0803	8080-17211	1401	8080-6-73-124	1102
8080-18-8-2	0803	8080-17213	1401		1003
8080-18-8-7	0802	8080-17214	1401	8080-6-73-414	1104
8080-20B62	1201	8080-17215	1401	8080-22-381-19	0803
8080-K2-1-28	0803	8080-17216	1007	8080-6-73-1117	1006
8080-K2-1-28X	0803	8080-17218	1007	8081-18-19-18	0801
8080-K2-4-88X	0803	8080-17221	1006	8800-728-2	1811D
8080-39Q20	0805B	8080-17222	1006	9150-2066C-C1	0604B
8080-5866X	0803	8080-17224	1007	9240-FC-1511	1209B
8080-5900X	1201	8080-17226X	1101	9240-FC-2917	1205
8080-5951X	0801	8080-17231	1007	9240-FC-2918	1205
8080-5962X	0803	8080-17233	1007	9240-FC-2927	1205
8080-638-1	1003	8080-17301-X	1006	9240-FC-3678-A	1205
8080-S-638-1	1104	8080-17302-X	1006	9240-FD-4564	1205
8080-638-2	1003	8080-17307	1401	9240-FC-5380	1205
8080-S638-2	1104	8080-17310X	1001	9240-FC-5381	1207
	1003	8080-18-15-9	0801	9240-FC-5382	1207
8080-S638-3	1104	8080-18-24-1	0803	9240-FC-5555	1209C
8080-6563-X	1201-1	8080-18-24-4	1201-1	9240-FC-5727	1205
8080-8996-SF	0901	8080-18-66-1	0805A	9240-FC-5778	1209C
8080-8997-SF	0901	8080-18-66-7	0805A	9240-FC-5795	1209B
				9240-FC-5992	1207
				9240-FC-5993	1207

OFFICIAL STOCK NUMBER INDEX (Cont'd)

Official Stock No.	Group	Official Stock No.	Group	Official Stock No.	Group
9240-FC-5997	1207	9410-T-84J-16A	0703	9680-A-535	1404
9240-FC-5998	1207	9410-T-84-17	0703	9680-A-621	1401
9240-FC-6003	1207	9410-T-84C-19	0704	9680-A-1083	0303
9240-FC-6009	1205	9410-T-84J-20A	0706B	9680-A-1203	1500
9240-FC-6011	1205	9410-T-84J-21A	0706B	9680-A-1388	0100
9240-FC-6018	1205	9410-T-8422	0706C	9680-A-1544	1000
9240-FC-7626	1209B	9410-T-84C-23A	0706B	9680-A-5548	0301
9240-FC-8418	1207	9410-T-84C-24A	0706C	9680-A-6343	1404
9240-FC-8778	1207	9410-T-84B-25	0706A	9680-A-6414	2208
9410-AS2-T-84-J	0700	9410-T-84G-25	0703	9680-A-6492	0501
9410-AT-84J-1A	0701	9410-T-84G-26	0703	9680-A-6853	0303
9410-T-84H-2	0704	9410-T-84G-28	0704C	9680-A-8619	2208
9410-AC-84J-2A	0706A	9410-T-84-29	0704C	9680-A-8809	1603
9410-AT-84-H2	0704	9410-T-84J-29	0704C	9680-A-8810	1603
9410-T84G-J3	0704C	9410-T-84-30	0706A	9680-A-9157	2001
9410-T-84J-6	0703	9410-T-84B-30A	0704C	9680-A-9158	2001
9410-T-84J-8	0704C	9410-T-84-31	0706A	9680-A-9194	2000
9410-1AT-84-H2	0704	9410-T-84J-31	0704C	9680-A-9196	2000
9410-X2136	0706B	9410-T-84B-32	0706A	9680-A-9201	2000
9410-4496K	0706A	9410-T-84GJ-35	0704C	9680-A-9202	2001
9410-4497	0706A	9410-T-84-42	0706B	9680-A-9203	2001
9410-4498K	0706A	9410-T-84G-48	0704C	9680-A-9205	2000
9410-4611	0706A	9410-T-84J-86A	0706B	9680-A-9206	2003
9410-4682-K	0704	9410-T-84-85A	0704C	9680-A-9208	2001
9410-4684	0706B	9410-T84-115	0706A	9680-A-9210	2001
9410-4886	0704	9410-T-84H-137	0704	9680-A-9211	2001
9410-C8-2-1-2	0706A	9410-T-84-A-148	0706A	9680-A-9214	2000
9410-AT-84F-10A	0704C	9410-T-84J-187	0704C	9680-A-9215	2000
9410-T-84F-11A	0704	9410-T84-554	0703	9680-A-10302	2001
9410-C-84B-12A	0706A	9410-T-8452½	0704	9680-A-10308	2001
9410-T-84F-12A	0704	9410-T845-50½	0802	9680-A-10315	2001
9410-T-84F-13	0704	9680-A-170	1603	9680-390510	1403A
9410-T-84D-14C	0701	9680-A-450	1203	9680-635886	0603-1
9410-T-84F-14	0704	9680-A-472	1302	9680-640070	0104
9410-T-84F-15	0704				

NOTES